



Cutting ring couplings to ISO 8434-1/DIN 2353

Applications

Couplings to ISO 8434-1/DIN 2353

With more than **50 years experience in the manufacture of hydraulic fittings**, Legris offers a comprehensive range of high quality DIN couplings. The Legris range of products and services meets **most high pressure requirements**, combining both mobile (transport, public works, agricultural equipment) and stationary applications (automotive process, chemical industry, steel industry) enabling Legris to have high profile customers in many fields of activity.

The Legris approach to product design and manufacture incorporates **total quality control**. This policy of high quality results in product homologations that comply with international standards (DIN 3859-3) and certifications from the largest official organizations.

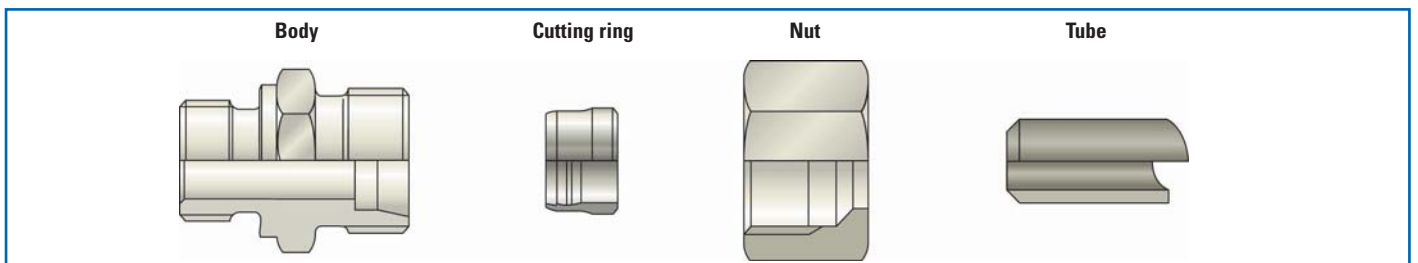
By actively listening to its customers, Legris offers solutions that meet the end users' requirements through **continuous product development and innovation**. Thus, the DiNova ring, launched in 2004, provides safe connection and long lasting sealing on installations resulting in clean equipment and safe working environments. Furthermore, the Dinova connection technology is protected by several international patents.



18

Principle

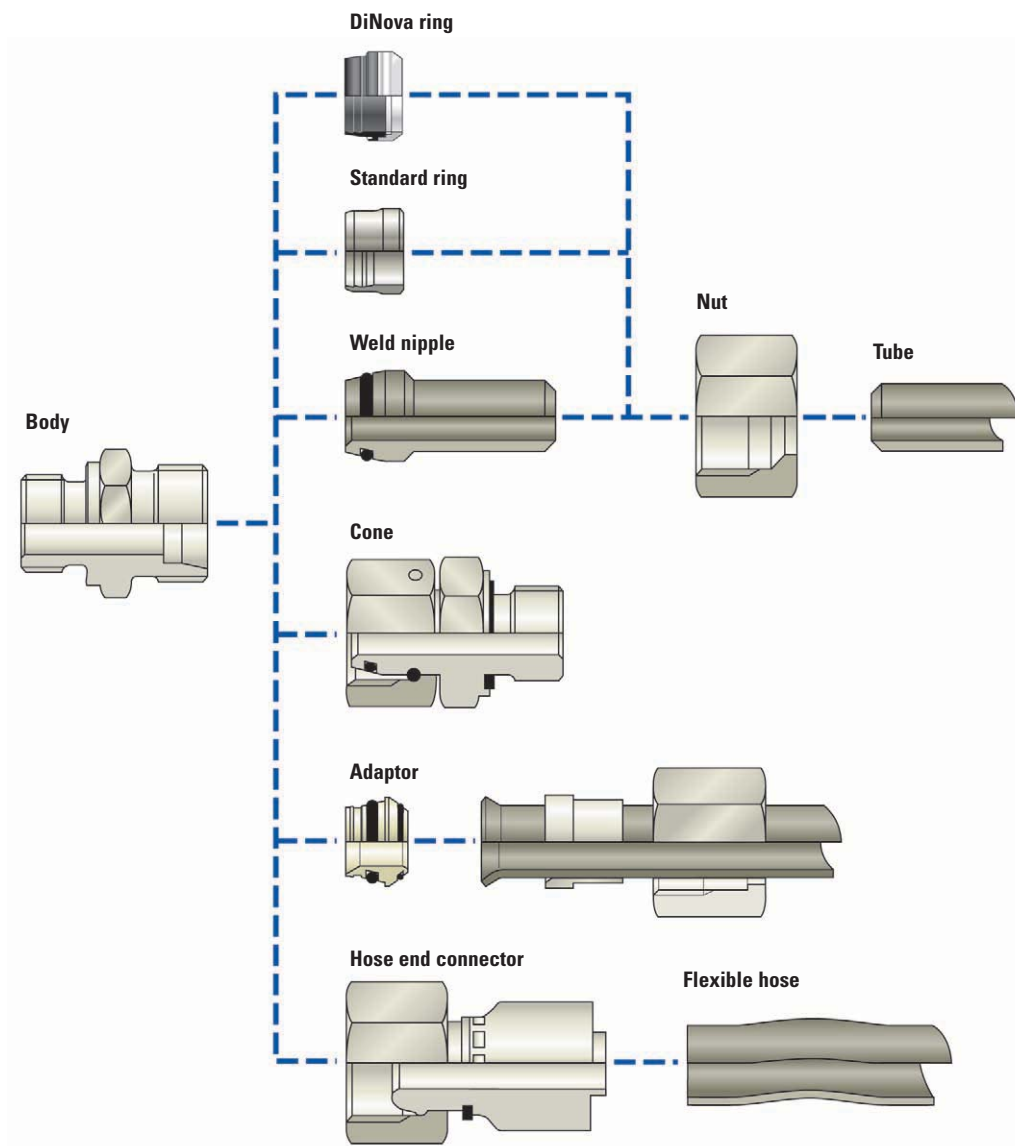
Couplings to ISO 8434-1/DIN 2353 comprise a body, a cutting ring and a tightening nut.



Principal advantages

A wide range of products offering solutions for all applications with :

- **couplings with 24° sealing cone and O-ring** : for guaranteed optimum sealing on high pressure applications, allowing simple and repetitive assembly without loss of sealing performance since, if necessary, the O-ring seal can be easily replaced.
- **couplings with assembled cutting ring** : for extreme conditions of use at high temperatures or with aggressive fluids
- **weld couplings** : for the most severe hydraulic applications (whip-lash, excessive vibration...).
- **24°/37° bulkhead couplings** : for a direct switch from cutting ring technology to 37° design.



Principal advantages

"Elbows and tees" solutions suitable for use in restricted space

- **adjustable couplings** : designed for medium and high pressures



- **adjustable couplings with lock-nut** : the best compromise for use in reduced spaces and for resistance to low and medium pressures.



- **banjos** : characterized by their compactness.
3 models depending on the working pressure and pressure loss:
 - standard pressure: $P_b \text{ maxi} = 250 \text{ bar}$
 - high pressure : $P_b \text{ maxi} = 400 \text{ bar}$
 - full flow : low pressure drop is guaranteed



Easy installation :

the method of installing the Legris DIN range is well suited for series production (using a pre crimping machine), maintenance operations or individual unit assembly (direct manual installation).

Resistance to high nominal pressures :

DIN couplings are an optimized solution for different working pressures. 3 series of couplings (LL, L and S) are offered :

- LL for low pressures (up to 100 bar) and 4 to 12 mm o.d. tube.
Example: lubrication, braking systems.
- L for medium pressures (up to 400 bar) and 6 to 42 mm o.d. tube.
Example: machine tools, agricultural equipment.
- S for high pressures (up to 630 bar) and 6 to 38 mm o.d. tube.
Example: hydraulic presses, public works equipment

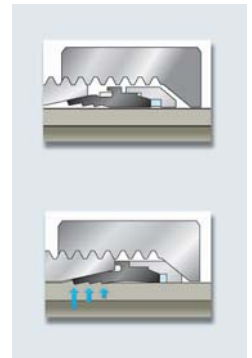
In addition, three cutting ring designs are available, offering maximum performance dependant upon the constraints of each specific installation.

Cutting rings

The DiNova ring

Designed to ensure total safety and long lasting sealing, the DiNova cutting ring guarantees clean equipment and safe working conditions. This solution reduces maintenance operations and is designed for all mobile and stationary applications when used with couplings series L and S.

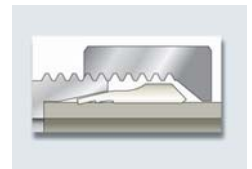
- **Metal/metal sealing reinforced by 2 PTFE seals** : the geometry of the seal cavity prevents distortion and guarantees resistance to vibration. Protection of the seal is ensured throughout assembly - it will not compress until final crimping has been achieved (Legris patent). The PTFE seal material allows repeated assembly without any deterioration in performance over time. It is resistant to most aggressive fluids and to a wide range of temperatures (-40°C to +200°C).
- **Reliable and easy assembly** : a mechanical stop clearly indicates the crimp position and avoids the risk of insufficient tightening or over-tightening.
- **Safe connection** : three bites ensure more precise assembly and less tube distortion, thus reinforcing the safety of connection, even in extreme conditions of use. The **DiNova** ring guarantees resistance to strong vibrations, thanks to an increased area of interface with the tube upon tightening and the seal position within the assembly.



The double-bite cutting ring

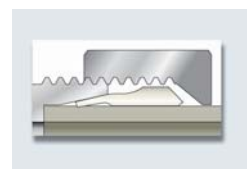
The double-bite ring constitutes an excellent solution for numerous hydraulic applications and can be used with coupling series L and S.

- **Easy assembly** and excellent **sealing** performance.
- **The geometry of the ring** prevents distortion of the tube, if overtightened.
- **Thermal treatment** guarantees resistance to vibrations and to shocks and enables repeated assembly without replacing the cutting ring.



The single-bite cutting ring

The single-bite cutting ring is suitable for coupling series LL. Its low tightening torque enables easy use and prevents distortion of the tube.



the product offer

rings, nuts

8124
single-bite



26

8224
double-bite



26

8324
DiNova



26

8010
nut



27

male stud couplings

8211
elastomer seal



28 29

8221
O-ring seal



30 31

8201
sealing bite



32 33 34

8205
taper



35 36

tube-tube couplings

8206
straight couplings



37

8206
straight reducer couplings



38

8202
equal elbows



39

8204
equal tees



40

8204
reducer tee couplings



41

8207
equal crosses



42

8216
bulkhead straight couplings



43

8212
bulkhead equal elbows



44

adjustable couplings

with 24° sealing cone and O-ring

8272
elbows



45

8270
45° elbows



46

8274
tees



47

8273
run tees



48

with pre-assembled ring

8246
elbows



49

8247
tees



50

8248
run tees



51

with threaded fitting, 24° cone and O-ring

8272
elbows



52 53

8274
tees



54 55

8273
run tees



56 57

with threaded fitting, 24° cone and sealing edge

8246
elbows



58 59

8247
tees



60 61

8248
run tees



62 63

With O-ring and lock nut

8251
elbows



64

8255
tees



65

8257
run tees



66

banjo couplings

8218
banjo couplings



67 68

8228
high pressure banjo couplings



69 70

8238
chock-free banjo couplings



71 72

8229
high pressure double banjo couplings



73 74

8239
chock-free double banjo couplings



75 76

the product offer

non adjustable couplings

8209

taper elbows



77 78 79

8299

parallel elbows



80

8208

tees



81 82

8203

run tees



83 84

square head flange couplings

square

8625

straight couplings



85

8626

elbows



85

SAE 3000 psi

8621

straight couplings



86

8622

elbows



86

SAE 6000 psi

8623

straight couplings



87

8624

elbows



87

butt weld couplings

8020

nipples



88

8231

straight couplings



89

8232

elbows



90

8233

bulkhead straight weld couplings



91

adaptors

with 24° sealing cone and O-ring

8501

adjustable male couplings



92 93

8276

standpipe reducers



94 95

8566

reducer adaptors



96

8506

adjustable straight couplings



97 98

with pre-assembled ring

8242

adjustable male with seal



99 100

8241

adjustable male with sealing bite



101 102

8245

adjustable male taper



103

8240

reducer adaptors



104 105

24°/37° (DIN 3949)

8430

nuts



106

8431

flare sleeves



106

8432

intermediate cones



106

8434

complete adaptors



107

(ISO 8434-1)/BSP 60°

8260

stud adaptor with pre-assembled ring



108

8261

stud adaptor



109

the product offer

M/F reducers/increasers and female thread adaptors

8075

reducer with seal



110

8078

reducer with seal



110

8079

increaser with seal



111

8065

reducer with sealing bite



112

8068

reducer with sealing bite



112

8069

increaser with sealing bite



113

8214

female thread adaptors



114 115

standpipe couplings for pressure gauge connection

8234

standpipe couplings



116

8514

adjustable standpipe couplings



117

8244

female thread adaptors



118

plugs

8023

plugs with O-ring



119

8022

plugs with elastomer seal



120

8026

plugs for 24° cone



121

8025

plugs for tubes



122

component parts

24

8V00

lock nuts



123

8027

ferrules



124

8W00

O-rings



125 126

8W01

captive seals



127

8W02

seal rings



128

8W03

composite seals



129

Find easily the DIN product that you require

Body only

Assembled couplings
equipped with different rings

Product pictures and technical drawings

Raccords selon norme ISO 8434-1/DIN 2353

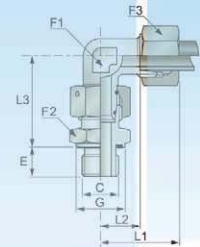


Product description

Coudes orientables

Type of thread

BSP cylindrique
joint élastomère
ISO 1179-2



Nominal pressure

Series

Series

PN	ØD	C	corps nu	bague 2 arêtes	bague DiNova	Bell code	E	F1*	F2	F3	G	L1	L2	L3	kg			
400	L	6	G1/8	8072L06 10	8272L06 10	8372L06 10	ZS14/1-29/L6RD-DM	8	12	14	14	13,9	27	12	34,5	0,060		
		8	G1/4	8072L08 13	8272L08 13	8372L08 13	ZS14/1-29/L8RD-DM	12	14	19	17	18,9	29	14	37,5	0,080		
	10	G1/4	8072L10 13	8272L10 13	8372L10 13	ZS14/1-29/L10RD-DM	12	17	19	19	18,9	30	15	40	0,090			
	12	G3/8	8072L12 17	8272L12 17	8372L12 17	ZS14/1-29/L12RD-DM	12	19	22	22	21,9	32	17	42	0,130			
	15	G1/2	8072L15 21	8272L15 21	8372L15 21	ZS14/1-29/L15RD-DM	14	19	27	27	26,9	36	21	46,5	0,230			
	315	L	18	G1/2	8072L18 21	8272L18 21	8372L18 21	ZS14/1-29/L18RD-DM	14	24	27	32	26,9	40	23,5	50	0,290	
			22	G3/4	8072L22 27	8272L22 27	8372L22 27	ZS14/1-29/L22RD-DM	16	27	32	36	31,9	44	27,5	55	0,410	
		28	G1	8072L28 34	8272L28 34	8372L28 34	ZS14/1-29/L28RD-DM	18	36	41	41	39,9	47	30,5	59	0,580		
		35	G1 1/4	8072L35 42	8272L35 42	8372L35 42	ZS14/1-29/L35RD-DM	20	41	50	50	49,9	56	34,5	68,5	0,890		
	250	L	42	G1 1/2	8072L42 49	8272L42 49	8372L42 49	ZS14/1-29/L42RD-DM	22	50	55	60	54,9	63	40	75	1,230	
6			G1/4	8072S06 13	8272S06 13	8372S06 13	ZS14/1-29/S6RD-DM	12	14	19	17	18,9	31	16	40	0,095		
630	S	8	G1/4	8072S08 13	8272S08 13	8372S08 13	ZS14/1-29/S8RD-DM	12	17	19	19	18,9	32	17	42,5	0,112		
		10	G3/8	8072S10 17	8272S10 17	8372S10 17	ZS14/1-29/S10RD-DM	12	19	22	22	21,9	34	17,5	45	0,166		
	12	G3/8	8072S12 17	8272S12 17	8372S12 17	ZS14/1-29/S12RD-DM	12	22	22	24	21,9	38	21,5	48	0,197			
	14	G1/2	8072S14 21	8272S14 21	8372S14 21	ZS14/1-29/S14RD-DM	14	19	27	27	26,9	40	22	54	0,290			
400	S	16	G1/2	8072S16 21	8272S16 21	8372S16 21	ZS14/1-29/S16RD-DM	14	24	27	30	26,9	43	24,5	55	0,338		
		20	G3/4	8072S20 27	8272S20 27	8372S20 27	ZS14/1-29/S20RD-DM	16	27	32	36	31,9	48	26,5	65	0,545		
		25	G1	8072S25 34	8272S25 34	8372S25 34	ZS14/1-29/S25RD-DM	18	36	41	46	39,9	54	30	73	0,988		
		30	G1 1/4	8072S30 42	8272S30 42	8372S30 42	ZS14/1-29/S30RD-DM	20	41	50	50	49,9	62	35,5	78,5	1,397		
		315	S	38	G1 1/2	8072S38 49	8272S38 49	8372S38 49	ZS14/1-29/S38RD-DM	22	50	55	60	54,9	72	41	89	2,000

* ØD 6 à 12 mm en acier profilé

o.d.
of tube

Thread

Legris part numbers

Dimensions

Bell part numbers

Weight

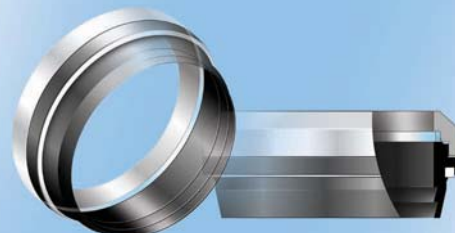
Cutting rings



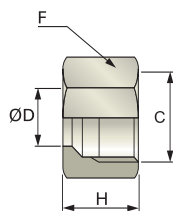
	PN	ØD	C	Single-bite ring	Bell code	Double-bite ring	Bell code	L1	kg	DiNova ring	Bell code	L2	kg
LL	100	4	M8x1	8124E04 00	15-31/LL4			6	0,001				
		5	M10x1	8124E05 00	15-31/LL5			7	0,001				
		6	M10x1	8124E06 00	15-31/LL6			7	0,001				
		8	M12x1	8124E08 00	15-31/LL8			7	0,001				
		10	M14x1	8124E10 00	15-31/LL10			7	0,001				
		12	M16x1	8124E12 00	15-31/LL12			7,5	0,002				
L	400	6	M12x1,5			8224L06 00	07-31/L6	9,5	0,002	8324L06 00	06-36/L6	9,7	0,002
		8	M14x1,5			8224L08 00	07-31/L8	10	0,003	8324L08 00	06-36/L8	10,2	0,003
		10	M16x1,5			8224L10 00	07-31/L10	10,5	0,004	8324L10 00	06-36/L10	10,6	0,004
		12	M18x1,5			8224L12 00	07-31/L12	10,5	0,005	8324L12 00	06-36/L12	10,6	0,004
		15	M22x1,5			8224L15 00	07-31/L15	10,5	0,006	8324L15 00	06-36/L15	10,8	0,006
	315	18	M26x1,5			8224L18 00	07-31/L18	10,5	0,007	8324L18 00	06-36/L18	11,1	0,007
		22	M30x2			8224L22 00	07-31/L22	11	0,009	8324L22 00	06-36/L22	12,3	0,010
		28	M36x2			8224L28 00	07-31/L28	11	0,012	8324L28 00	06-36/L28	12,1	0,011
	250	35	M45x2			8224L35 00	07-31/L35	13,5	0,021	8324L35 00	06-36/L35	14,3	0,021
		42	M52x2			8224L42 00	07-31/L42	13,5	0,024	8324L42 00	06-36/L42	14,3	0,028
S	630	6	M14x1,5			8224L06 00	07-31/L6	9,5	0,002	8324L06 00	06-36/L6	9,7	0,002
		8	M16x1,5			8224L08 00	07-31/L8	10	0,003	8324L08 00	06-36/L8	10,2	0,003
		10	M18x1,5			8224L10 00	07-31/L10	10,5	0,004	8324L10 00	06-36/L10	10,6	0,004
		12	M20x1,5			8224L12 00	07-31/L12	10,5	0,005	8324L12 00	06-36/L12	10,6	0,004
		14	M22x1,5			8224S14 00	07-31/S14	10,5	0,006	8324S14 00	06-36/S14	10,8	0,005
	400	16	M24x1,5			8224S16 00	07-31/S16	10,5	0,007	8324S16 00	06-36/S16	11	0,006
		20	M30x2			8224S20 00	07-31/S20	13	0,012	8324S20 00	06-36/S20	13,6	0,012
		25	M36x2			8224S25 00	07-31/S25	13,5	0,016	8324S25 00	06-36/S25	14,6	0,017
		30	M42x2			8224S30 00	07-31/S30	13,5	0,020	8324S30 00	06-36/S30	14,6	0,020
		315	38	M52x2			8224S38 00	07-31/S38	13,5	0,023	8324S38 00	06-36/S38	15,1

The DiNova ring guarantees:

- long lasting **sealing** for safe, clean equipment
- **reliable** and easy assembly
- **safe** connection



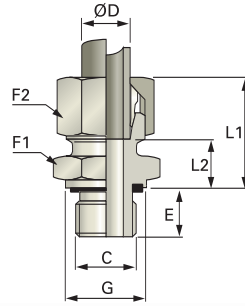
Nuts



	PN	ØD	C		Bell code	F	H	
LL	100	4	M8x1	8010E04 00	15-30/LL4	10	11	0,004
		5	M10x1	8010E05 00	15-30/LL5	12	11,5	0,006
		6	M10x1	8010E06 00	15-30/LL6	12	11,5	0,006
		8	M12x1	8010E08 00	15-30/LL8	14	12	0,007
		10	M14x1	8010E10 00	15-30/LL10	17	12,5	0,011
		12	M16x1	8010E12 00	15-30/LL12	19	13	0,012
L	400	6	M12x1,5	8010L06 00	15-30/L6	14	14,5	0,010
		8	M14x1,5	8010L08 00	15-30/L8	17	14,5	0,015
		10	M16x1,5	8010L10 00	15-30/L10	19	15,5	0,018
		12	M18x1,5	8010L12 00	15-30/L12	22	15,5	0,024
	315	15	M22x1,5	8010L15 00	15-30/L15	27	17	0,041
		18	M26x1,5	8010L18 00	15-30/L18	32	18	0,058
	250	22	M30x2	8010L22 00	15-30/L22	36	20	0,079
		28	M36x2	8010L28 00	15-30/L28	41	21	0,089
		35	M45x2	8010L35 00	15-30/L35	50	24	0,138
		42	M52x2	8010L42 00	15-30/L42	60	24	0,216
S	630	6	M14x1,5	8010S06 00	15-30/S6	17	16,5	0,016
		8	M16x1,5	8010S08 00	15-30/S8	19	16,5	0,019
		10	M18x1,5	8010S10 00	15-30/S10	22	17,5	0,030
		12	M20x1,5	8010S12 00	15-30/S12	24	17,5	0,035
	400	14	M22x1,5	8010S14 00	15-30/S14	27	20,5	0,050
		16	M24x1,5	8010S16 00	15-30/S16	30	20,5	0,064
		20	M30x2	8010S20 00	15-30/S20	36	24	0,100
		25	M36x2	8010S25 00	15-30/S25	46	27	0,199
		30	M42x2	8010S30 00	15-30/S30	50	29	0,223
		315	38	M52x2	8010S38 00	15-30/S38	60	32,5

Male stud couplings

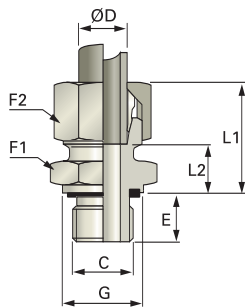
BSP parallel
elastomer seal
ISO 1179-2



	PN	ØD	C	body only	double-bite ring	DiNova ring	Bell code	E	F1	F2	G	L1	L2	kg
L	400	6	G1/8	8011L06 10	8211L06 10	8311L06 10	ZS15-01/L6RD	8	14	14	13,9	23	8,5	0,025
	6	G1/4	8011L06 13	8211L06 13	8311L06 13	ZS15-01/L6RD1/4"	12	19	14	18,9	24,5	10	0,040	
	8	G1/8	8011L08 10	8211L08 10	8311L08 10	ZS15-01/L8RD1/8"	8	14	17	13,9	24,5	9,5	0,033	
	8	G1/4	8011L08 13	8211L08 13	8311L08 13	ZS15-01/L8RD	12	19	17	18,9	25	10	0,045	
	8	G3/8	8011L08 17	8211L08 17	8311L08 17	ZS15-01/L8RD3/8"	12	22	17	21,9	27	11,5	0,061	
	8	G1/2	8011L08 21	8211L08 21	8311L08 21	ZS15-01/L8RD1/2"	14	27	17	26,9	26	12	0,070	
	10	G1/4	8011L10 13	8211L10 13	8311L10 13	ZS15-01/L10RD	12	19	19	18,9	26	11	0,047	
	10	G3/8	8011L10 17	8211L10 17	8311L10 17	ZS15-01/L10RD3/8"	12	22	19	21,9	27,5	12,5	0,067	
	10	G1/2	8011L10 21	8211L10 21	8311L10 21	ZS15-01/L10RD1/2"	14	27	19	26,9	27,5	13	0,094	
	12	G1/4	8011L12 13	8211L12 13	8311L12 13	ZS15-01/L12RD1/4"	12	19	22	18,9	25,5	11	0,057	
	12	G3/8	8011L12 17	8211L12 17	8311L12 17	ZS15-01/L12RD	12	22	22	21,9	27	12,5	0,069	
	12	G1/2	8011L12 21	8211L12 21	8311L12 21	ZS15-01/L12RD1/2"	14	27	22	26,9	27,5	13	0,106	
	12	G3/4	8011L12 27	8211L12 27	8311L12 27	ZS15-01/L12RD3/4"	16	32	22	31,9	28,5	14	0,120	
	15	G3/8	8011L15 17	8211L15 17	8311L15 17	ZS15-01/L15RD3/8"	12	22	27	21,9	28,5	13,5	0,097	
	15	G1/2	8011L15 21	8211L15 21	8311L15 21	ZS15-01/L15RD	14	27	27	26,9	29	14	0,115	
315	15	G3/4	8011L15 27	8211L15 27	8311L15 27	ZS15-01/L15RD3/4"	16	32	27	31,9	30	15	0,167	
	18	G1/2	8011L18 21	8211L18 21	8311L18 21	ZS15-01/L18RD	14	27	32	26,9	31	14,5	0,129	
	18	G3/4	8011L18 27	8211L18 27	8311L18 27	ZS15-01/L18RD3/4"	16	32	32	31,9	33	14,5	0,180	
	22	G1/2	8011L22 21	8211L22 21	8311L22 21	ZS15-01/L22RD1/2"	14	32	36	26,9	32,5	16,5	0,220	
	22	G3/4	8011L22 27	8211L22 27	8311L22 27	ZS15-01/L22RD	16	32	36	31,9	33,5	16,5	0,176	
	22	G1	8011L22 34	8211L22 34	8311L22 34	ZS15-01/L22RD1"	18	41	36	39,9	34	17,5	0,283	
250	28	G3/4	8011L28 27	8211L28 27	8311L28 27	ZS15-01/L28RD3/4"	16	41	41	31,9	34	17,5	0,251	
	28	G1"1/4	8011L28 34	8211L28 34	8311L28 34	ZS15-01/L28RD	18	41	41	39,9	34	17,5	0,247	
	28	G1"1/4	8011L28 42	8211L28 42	8311L28 42	ZS15-01/L28RD1 1/4"	20	50	41	49,9	35	18,5	0,260	
	35	G1	8011L35 34	8211L35 34	8311L35 34	ZS15-01/L35RD1"	18	50	50	39,9	39	17,5	0,400	
	35	G1"1/4	8011L35 42	8211L35 42	8311L35 42	ZS15-01/L35RD	20	50	50	49,9	39	17,5	0,407	
S	400	42	G1"1/2	8011L42 49	8211L42 49	8311L42 49	ZS15-01/L42RD	22	55	60	54,9	42	19	0,456
	6	G1/4	8011S06 13	8211S06 13	8311S06 13	ZS15-01/S6RD	12	19	17	18,9	28	13	0,050	
	8	G1/4	8011S08 13	8211S08 13	8311S08 13	ZS15-01/S8RD	12	19	19	18,9	30	15	0,055	
	8	G3/8	8011S08 17	8211S08 17	8311S08 17	ZS15-01/S8RD3/8"	12	22	19	21,9	30,5	15,5	0,070	
	10	G1	8011S10 13	8211S10 13	8311S10 13	ZS15-01/S10RD1/4"	12	19	22	18,9	30,5	14,5	0,078	
	10	G3/8	8011S10 17	8211S10 17	8311S10 17	ZS15-01/S10RD	12	22	22	21,9	31	15	0,082	
	10	G1/2	8011S10 21	8211S10 21	8311S10 21	ZS15-01/S10RD1/2"	14	27	22	26,9	33,5	17,5	0,090	
	12	G1/4	8011S12 13	8211S12 13	8311S12 13	ZS15-01/S12RD1/4"	12	22	24	18,9	32,5	16,5	0,096	
	12	G3/8	8011S12 17	8211S12 17	8311S12 17	ZS15-01/S12RD	12	22	24	21,9	33	17	0,095	
	12	G1/2	8011S12 21	8211S12 21	8311S12 21	ZS15-01/S12RD1/2"	14	27	24	26,9	33,5	17,5	0,135	
	14	G1/2	8011S14 21	8211S14 21	8311S14 21	ZS15-01/S14RD	14	27	27	26,9	37	19	0,148	
	16	G3/8	8011S16 17	8211S16 17	8311S16 17	ZS15-01/S16RD3/8"	12	24	30	21,9	36,5	18	0,146	
	16	G1/2	8011S16 21	8211S16 21	8311S16 21	ZS15-01/S16RD	14	27	30	26,9	37	18,5	0,154	
	16	G3/4	8011S16 27	8211S16 27	8311S16 27	ZS15-01/S16RD3/4"	16	32	30	31,9	39	20,5	0,226	
	20	G1/2	8011S20 21	8211S20 21	8311S20 21	ZS15-01/S20RD1/2"	14	32	36	26,9	42	20,5	0,205	
20	G3/4	8011S20 27	8211S20 27	8311S20 27	ZS15-01/S20RD	16	32	36	31,9	42	20,5	0,253		
20	G1	8011S20 34	8211S20 34	8311S20 34	ZS15-01/S20RD1"	18	41	36	39,9	44	22,5	0,270		
25	G3/4	8011S25 27	8211S25 27	8311S25 27	ZS15-01/S25RD3/4"	16	41	46	31,9	47	23	0,378		
25	G1	8011S25 34	8211S25 34	8311S25 34	ZS15-01/S25RD	18	41	46	39,9	47	23	0,465		
30	G1	8011S30 34	8211S30 34	8311S30 34	ZS15-01/S30RD1"	18	46	50	39,9	50	23,5	0,583		
30	G1"1/4	8011S30 42	8211S30 42	8311S30 42	ZS15-01/S30RD	20	50	50	49,9	50	23,5	0,644		
315	38	G1"1/4	8011S38 42	8211S38 42	8311S38 42	ZS15-01/S38RD1 1/4"	20	55	60	49,9	57	26	0,880	
38	G1"1/2	8011S38 49	8211S38 49	8311S38 49	ZS15-01/S38RD	22	55	60	54,9	57	26	0,889		

Male stud couplings

metric parallel
elastomer seal
ISO 9974-2



	PN	ØD	C	body only	double-bite ring	DiNova ring	Bell code	E	F1	F2	G	L1	L2		
L	6	M10x1		8011L06 60	8211L06 60	8311L06 60	ZS15-01/L6MD	8	14	14	13,9	23	8,5	0,025	
	8	M10x1		8011L08 60	8211L08 60	8311L08 60	ZS15-01/L8MD10X1	8	14	17	13,9	24	9,5	0,040	
	8	M12x1,5		8011L08 67	8211L08 67	8311L08 67	ZS15-01/L8MD	12	17	17	16,9	25	10	0,040	
	8	M14x1,5		8011L08 71	8211L08 71	8311L08 71	ZS15-01/L8MD14X1,5	12	19	17	18,9	25	10	0,048	
	8	M16x1,5		8011L08 75	8211L08 75	8311L08 75	ZS15-01/L8MD16X1,5	12	22	17	21,9	26,5	11,5	0,060	
	8	M18x1,5		8011L08 78	8211L08 78	8311L08 78	ZS15-01/L8MD18X1,5	12	24	17	23,9	26,5	11,5	0,070	
	10	M12x1,5		8011L10 67	8211L10 67	8311L10 67	ZS15-01/L10MD12X1,5	12	17	19	16,9	26	11	0,047	
	10	M14x1,5		8011L10 71	8211L10 71	8311L10 71	ZS15-01/L10MD	12	19	19	18,9	26	11	0,047	
	10	M16x1,5		8011L10 75	8211L10 75	8311L10 75	ZS15-01/L10MD16X1,5	12	22	19	21,9	27,5	12,5	0,066	
	10	M18x1,5		8011L10 78	8211L10 78	8311L10 78	ZS15-01/L10MD18X1,5	12	24	19	23,9	27,5	12,5	0,075	
	10	M22x1,5		8011L10 82	8211L10 82	8311L10 82	ZS15-01/L10MD22X1,5	14	27	19	26,9	29	14	0,106	
	12	M14x1,5		8011L12 71	8211L12 71	8311L12 71	ZS15-01/L12MD14X1,5	12	19	22	18,9	27	12,5	0,064	
	12	M16x1,5		8011L12 75	8211L12 75	8311L12 75	ZS15-01/L12MD	12	22	22	21,9	27	12,5	0,063	
	12	M18x1,5		8011L12 78	8211L12 78	8311L12 78	ZS15-01/L12MD18X1,5	12	24	22	23,9	27	12,5	0,080	
	12	M22x1,5		8011L12 82	8211L12 82	8311L12 82	ZS15-01/L12MD22X1,5	14	27	22	26,9	28,5	14	0,110	
	15	M16x1,5		8011L15 75	8211L15 75	8311L15 75	ZS15-01/L15MD16X1,5	12	24	27	21,9	29	13,5	0,090	
	15	M18x1,5		8011L15 78	8211L15 78	8311L15 78	ZS15-01/L15MD	12	24	27	23,9	29	13,5	0,095	
	15	M22x1,5		8011L15 82	8211L15 82	8311L15 82	ZS15-01/L15MD22X1,5	14	27	27	26,9	30,5	15	0,124	
	315	18	M18x1,5		8011L18 78	8211L18 78	8311L18 78	ZS15-01/L18MD18X1,5	12	27	32	23,9	31	14,5	0,120
		18	M22x1,5		8011L18 82	8211L18 82	8311L18 82	ZS15-01/L18MD	14	27	32	26,9	31	14,5	0,129
22		M22x1,5		8011L22 82	8211L22 82	8311L22 82	ZS15-01/L22MD22X1,5	14	32	36	26,9	33	16,5	0,170	
22		M26x1,5		8011L22 89	8211L22 89	8311L22 89	ZS15-01/L22MD	16	32	36	31,9	33	16,5	0,176	
250	28	M33x2		8011L28 91	8211L28 91	8311L28 91	ZS15-01/L28MD	18	41	41	39,9	34	17,5	0,247	
	35	M42x2		8011L35 96	8211L35 96	8311L35 96	ZS15-01/L35MD	20	50	50	49,9	39	17,5	0,407	
	42	M48x2		8011L42 98	8211L42 98	8311L42 98	ZS15-01/L42MD	22	55	60	54,9	42	19	0,456	
630	6	M12x1,5		8011S06 67	8211S06 67	8311S06 67	ZS15-01/S6MD	12	17	17	16,9	28	13	0,045	
	8	M14x1,5		8011S08 71	8211S08 71	8311S08 71	ZS15-01/S8MD	12	19	19	18,9	30	15	0,055	
	10	M16x1,5		8011S10 75	8211S10 75	8311S10 75	ZS15-01/S10MD	12	22	22	21,9	31	15	0,082	
	12	M18x1,5		8011S12 78	8211S12 78	8311S12 78	ZS15-01/S12MD	12	24	24	23,9	33	17	0,105	
	14	M20x1,5		8011S14 80	8211S14 80	8311S14 80	ZS15-01/S14MD	14	27	27	25,9	37	19	0,148	
400	16	M22x1,5		8011S16 82	8211S16 82	8311S16 82	ZS15-01/S16MD	14	27	30	26,9	37	18,5	0,154	
	20	M27x2		8011S20 86	8211S20 86	8311S20 86	ZS15-01/S20MD	16	32	36	31,9	42	20,5	0,253	
	25	M33x2		8011S25 91	8211S25 91	8311S25 91	ZS15-01/S25MD	18	41	46	39,9	47	23	0,465	
	30	M42x2		8011S30 96	8211S30 96	8311S30 96	ZS15-01/S30MD	20	50	50	49,9	50	23,5	0,644	
	315	38	M48x2		8011S38 98	8211S38 98	8311S38 98	ZS15-01/S38MD	22	55	60	54,9	57	26	0,889

Bell code

These part numbers are provided as a general guide and correspond to double-bite ring models.

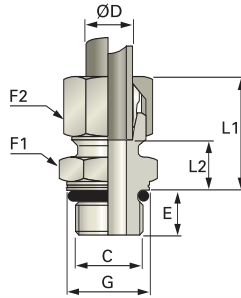


Bell code

8311L06 60 ZS 15-01/L6MD

Male stud couplings

metric parallel
O-ring
ISO 6149



	PN	ØD	C	Body only	Double-bite ring	DiNova ring	Bell code	E	F1	F2	G	O-ring	L1	L2	
L	400	6	M10X1	8021L06 60	8221L06 60	8321L06 60	ZS15-01/L6MO	8,5	14	14	13,8	8,1x1,6	23	8,5	0,025
		8	M12X1,5	8021L08 67	8221L08 67	8321L08 67	ZS15-01/L8MO	11	17	17	16,8	9,3x2,2	24,5	10	0,039
		10	M14X1,5	8021L10 71	8221L10 71	8321L10 71	ZS15-01/L10MO	11	19	19	18,8	11,3x2,2	25,5	11	0,046
		12	M16X1,5	8021L12 75	8221L12 75	8321L12 75	ZS15-01/L12MO	11,5	22	22	21,8	13,3x2,2	27	12,5	0,063
		15	M18X1,5	8021L15 78	8221L15 78	8321L15 78	ZS15-01/L15MO	12,5	24	27	23,8	15,3x2,2	28,5	13,5	0,095
	315	18	M22X1,5	8021L18 82	8221L18 82	8321L18 82	ZS15-01/L18MO	13	27	32	26,8	19,3x2,2	30,5	14,5	0,129
		22	M27X2*	8021L22 86	8221L22 86	8321L22 86	ZS15-01/L22MO	16	32	36	31,8	23,6x2,9	32,5	16,5	0,176
		28	M33X2	8021L28 91	8221L28 91	8321L28 91	ZS15-01/L28MO	16	41	41	40,8	29,6x2,9	34	17,5	0,247
	250	35	M42X2	8021L35 96	8221L35 96	8321L35 96	ZS15-01/L35MO	16	50	50	49,8	38,6x2,9	39	17,5	0,407
		42	M48X2	8021L42 98	8221L42 98	8321L42 98	ZS15-01/L42MO	17,5	55	60	54,8	44,6x2,9	41,5	19	0,456
S	630	6	M12X1,5	8021S06 67	8221S06 67	8321S06 67	ZS15-01/S6MO	11	17	17	16,8	9,3x2,2	27,5	13	0,045
		8	M14X1,5	8021S08 71	8221S08 71	8321S08 71	ZS15-01/S8MO	11	19	19	18,8	11,3x2,2	29,5	15	0,055
		10	M16X1,5	8021S10 75	8221S10 75	8321S10 75	ZS15-01/S10MO	12,5	22	22	21,8	13,3x2,2	31	15	0,082
		12	M18X1,5	8021S12 78	8221S12 78	8321S12 78	ZS15-01/S12MO	14	24	24	23,8	15,3x2,2	33	17	0,105
		14	M20X1,5	8021S14 80	8221S14 80	8321S14 80	ZS15-01/S14MO	14	27	27	26,8	17,3x2,2	36,5	19	0,148
	400	16	M22X1,5	8021S16 82	8221S16 82	8321S16 82	ZS15-01/S16MO	15	27	30	26,8	19,3x2,2	36	18,5	0,154
		20	M27X2	8021S20 86	8221S20 86	8321S20 86	ZS15-01/S20MO	18,5	32	36	31,8	23,6x2,9	42	20,5	0,253
		25	M33X2	8021S25 91	8221S25 91	8321S25 91	ZS15-01/S25MO	18,5	41	46	40,8	29,6x2,9	47	23	0,465
		30	M42X2	8021S30 96	8221S30 96	8321S30 96	ZS15-01/S30MO	19	50	50	48,8	38,6x2,9	50	23,5	0,644
		315	38	M48X2	8021S38 98	8221S38 98	8321S38 98	ZS15-01/S38MO	21,5	55	60	54,8	44,6x2,9	56,5	26

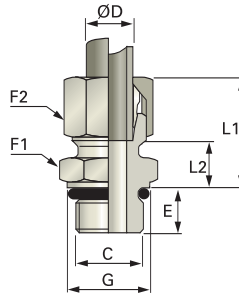
* according to DIN 3852 part 3 = M26x1.5

Male stud couplings

UN/UNF

O-ring

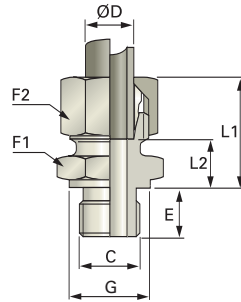
ISO 11926-2/3



PN	ØD	C	Body only	Double-bite ring	DiNova ring	Bell code	E	F1	F2	G	L1	L2	O-ring	kg	
400	6	7/16"-20UNF	8021L06 103	8221L06 103	8321L06 103	ZS15-01/L6-7/16"-20UNF	9	17	14	16	23	8,5	8,92x1,83	0,030	
	6	9/16"-18UNF	8021L06 105	8221L06 105	8321L06 105	ZS15-01/L6-9/16"-18UNF	10	19	14	17,6	25	10	11,89x1,98	0,037	
	8	7/16"-20UNF	8021L08 103	8221L08 103	8321L08 103	ZS15-01/L8-7/16"-20UNF	9	17	17	16	25	10	8,92x1,83	0,032	
	8	1/2"-20UNF	8021L08 104	8221L08 104	8321L08 104	ZS15-01/L8-1/2"-20UNF	9	17	17	17	25	10	10,52x1,83	0,035	
	8	9/16"-18UNF	8021L08 105	8221L08 105	8321L08 105	ZS15-01/L8-9/16"-18UNF	10	19	17	17,6	25	10	11,89x1,98	0,030	
	10	7/16"-20UNF	8021L10 103	8221L10 103	8321L10 103	ZS15-01/L10-7/16"-20UNF	9	17	19	16	26	11	8,92x1,83	0,040	
	10	9/16"-18UNF	8021L10 105	8221L10 105	8321L10 105	ZS15-01/L10-9/16"-18UNF	10	19	19	17,6	26	11	11,89x1,98	0,046	
	10	3/4"-16UNF	8021L10 107	8221L10 107	8321L10 107	ZS15-01/L10-3/4"-16UNF	11	24	19	22,3	28	13	16,36x2,2	0,060	
	12	9/16"-18UNF	8021L12 105	8221L12 105	8321L12 105	ZS15-01/L12-9/16"-18UNF	10	19	22	17,6	26	11	11,89x1,98	0,050	
	12	3/4"-16UNF	8021L12 107	8221L12 107	8321L12 107	ZS15-01/L12-3/4"-16UNF	11	24	22	22,3	28	13	16,36x2,2	0,070	
	12	7/8"-14UNF	8021L12 108	8221L12 108	8321L12 108	ZS15-01/L12-7/8"-14UNF	12,7	27	22	25,5	29	14,3	19,18x2,46	0,075	
	15	3/4"-16UNF	8021L15 107	8221L15 107	8321L15 107	ZS15-01/L15-3/4"-16UNF	11	24	27	22,3	29	14	16,36x2,2	0,095	
	15	7/8"-14UNF	8021L15 108	8221L15 108	8321L15 108	ZS15-01/L15-7/8"-14UNF	12,5	27	27	25,5	30,5	15,5	19,18x2,46	0,090	
	315	18	3/4"-16UNF	8021L18 107	8221L18 107	8321L18 107	ZS15-01/L18-3/4"-16UNF	11	27	32	22,3	31	14,5	16,36x2,2	0,125
		18	7/8"-14UNF	8021L18 108	8221L18 108	8321L18 108	ZS15-01/L18-7/8"-14UNF	12,7	27	32	25,5	31	14,8	19,18x2,46	0,132
22		7/8"-14UNF	8021L22 108	8221L22 108	8321L22 108	ZS15-01/L22-7/8"-14UNF	12,7	32	36	25,5	33	16,8	19,18x2,46	0,172	
22		1 1/16"-12UN	8021L22 153	8221L22 153	8321L22 153	ZS15-01/L22-1 1/16"-12UN	15	32	36	31,9	33	16,5	23,47x2,95	0,185	
22		1 5/16"-12UN	8021L22 157	8221L22 157	8321L22 157	ZS15-01/L22-1 5/16"-12UN	15	41	36	38,2	34	17,5	29,74x2,95	0,235	
28		1 1/16"-12UN	8021L28 153	8221L28 153	8321L28 153	ZS15-01/L28-1 1/16"-12UN	15	41	41	31,9	34	17,5	23,47x2,95	0,242	
250	28	1 5/16"-12UN	8021L28 157	8221L28 157	8321L28 157	ZS15-01/L28-1 5/16"-12UN	15	41	41	38,2	34	17,5	29,74x2,95	0,250	
	35	15/16"-12UN	8021L35 157	8221L35 157	8321L35 157	ZS15-01/L35-1 5/16"-12UN	15	46	50	38,2	39	17,5	29,74x2,95	0,362	
	35	15/8"-12UN	8021L35 162	8221L35 162	8321L35 162	ZS15-01/L35-1 5/8"-12UN	15	50	50	48	39	17,5	37,47x3	0,400	
	42	15/8"-12UN	8021L42 162	8221L42 162	8321L42 162	ZS15-01/L42-1 5/8"-12UN	15	55	60	48	42	19	37,47x3	0,560	
	42	17/8"-12UN	8021L42 166	8221L42 166	8321L42 166	ZS15-01/L42-1 7/8"-12UN	15	17	60	55	42	19	43,69x3	0,600	
	630	6	7/16"-20UN	8021S06 103	8221S06 103	8321S06 103	ZS15-01/S6-7/16"-20UNF	9	17	17	16	30	15	8,92x1,83	0,047
8		7/16"-20UNF	8021S08 103	8221S08 103	8321S08 103	ZS15-01/S8-7/16"-20UNF	9	17	19	16	30	15	8,92x1,83	0,050	
10		9/16"-18UNF	8021S10 105	8221S10 105	8321S10 105	ZS15-01/S10-9/16"-18UNF	10	19	22	17,6	31	14,5	11,98x1,98	0,065	
12		9/16"-18UNF	8021S12 105	8221S12 105	8321S12 105	ZS15-01/S12-9/16"-18UNF	10	22	24	17,6	31	14,5	11,98x1,98	0,080	
14		3/4"-16UNF	8021S14 107	8221S14 107	8321S14 107	ZS15-01/S14-3/4"-16UNF	11	24	27	22,3	34	16	16,36x2,2	0,123	
16		7/8"-14UNF	8021S16 108	8221S16 108	8321S16 108	ZS15-01/S16-7/8"-14UNF	12,7	27	30	25,5	37	18,8	19,18x2,46	0,150	
20		7/8"-14UNF	8021S20 108	8221S20 108	8321S20 108	ZS15-01/S20-7/8"-14UNF	12,7	32	36	25,5	42	20,8	19,18x2,46	0,230	
20		1 1/16"-12UN	8021S20 153	8221S20 153	8321S20 153	ZS15-01/S20-1 1/16"-12UN	15	32	36	31,9	42	20,5	23,47x2,95	0,250	
25		1 1/16"-12UN	8021S25 153	8221S25 153	8321S25 153	ZS15-01/S25-1 1/16"-12UN	15	36	46	31,9	47	23	23,47x2,95	0,400	
25		1 5/16"-12UN	8021S25 157	8221S25 157	8321S25 157	ZS15-01/S25-1 5/16"-12UN	15	41	46	38,2	47	23	29,74x2,95	0,460	
30		1 5/16"-12UN	8021S30 157	8221S30 157	8321S30 157	ZS15-01/S30-1 5/16"-12UN	15	46	50	38,2	50	23,5	29,74x2,95	0,530	
30		1 5/8"-12UN	8021S30 162	8221S30 162	8321S30 162	ZS15-01/S30-1 5/8"-12UN	15	50	50	48	50	23,5	37,47x3	0,620	
315	38	1 5/8"-12UN	8021S38 162	8221S38 162	8321S38 162	ZS15-01/S38-1 5/8"-12UN	15	55	60	48	57	26	37,47x3	0,852	

Male stud couplings

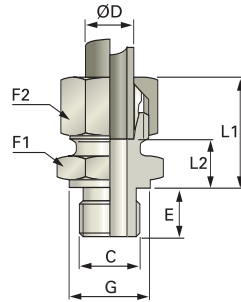
BSP parallel
sealing bite
ISO 1179-4



	PN	ØD	C	Body only	Single-bite ring	Double-bite ring	Bell code	E	F1	F2	G	L1	L2	kg
LL	100	6	G1/8	8001E06 10	8101E06 10		15-01/LL6RB	8	14	12	14	20	8	0,018
		8	G1/8	8001E08 10	8101E08 10		15-01/LL8RB	8	14	14	14	21	9	0,020
L	315	6	G1/8	8001L06 10		8201L06 10	ZS15-01/L6RB	8	14	14	14	23	8,5	0,025
		6	G1/4	8001L06 13		8201L06 13	ZS15-01/L6RB1/4"	12	19	14	18	25	10	0,040
		6	G3/8	8001L06 17		8201L06 17	ZS15-01/L6RB3/8"	12	22	14	22	26	11,5	0,047
		8	G1/8	8001L08 10		8201L08 10	ZS15-01/L8RB1/8"	8	14	17	14	24,5	9,5	0,034
		8	G1/4	8001L08 13		8201L08 13	ZS15-01/L8RB	12	19	17	18	25	10	0,045
		8	G3/8	8001L08 17		8201L08 17	ZS15-01/L8RB3/8"	12	22	17	22	26,5	11,5	0,062
		8	G1/2	8001L08 21		8201L08 21	ZS15-01/L8RB1/2"	14	27	17	26	28	13	0,095
		10	G1/8	8001L10 10		8201L10 10	ZS15-01/L10RB1/8"	8	17	19	14	26	11	0,040
		10	G1/4	8001L10 13		8201L10 13	ZS15-01/L10RB	12	19	19	18	26	11	0,047
		10	G3/8	8001L10 17		8201L10 17	ZS15-01/L10RB3/8"	12	22	19	22	27,5	12,5	0,063
	10	G1/2	8001L10 21		8201L10 21	ZS15-01/L10RB1/2"	14	27	19	26	28	13	0,095	
	12	G1/4	8001L12 13		8201L12 13	ZS15-01/L12RB1/4"	12	19	22	18	26	11	0,060	
	12	G3/8	8001L12 17		8201L12 17	ZS15-01/L12RB	12	22	22	22	27,5	12,5	0,069	
	12	G1/2	8001L12 21		8201L12 21	ZS15-01/L12RB1/2"	14	27	22	26	28	13	0,098	
	12	G3/4	8001L12 27		8201L12 27	ZS15-01/L12RB3/4"	16	32	22	32	29	14	0,146	
	15	G1/4	8001L15 13		8201L15 13	ZS15-01/L15RB1/4"	12	22	27	18	28,5	13	0,090	
	15	G3/8	8001L15 17		8201L15 17	ZS15-01/L15RB3/8"	12	22	27	22	29	13,5	0,100	
	15	G1/2	8001L15 21		8201L15 21	ZS15-01/L15RB	14	27	27	26	29,5	14	0,115	
	15	G3/4	8001L15 27		8201L15 27	ZS15-01/L15RB3/4"	16	32	27	32	30,5	15	0,167	
	18	G3/8	8001L18 17		8201L18 17	ZS15-01/L18RB3/8"	12	27	32	22	30,5	14	0,120	
	18	G1/2	8001L18 21		8201L18 21	ZS15-01/L18RB	14	27	32	26	31	14,5	0,129	
	18	G3/4	8001L18 27		8201L18 27	ZS15-01/L18RB3/4"	16	32	32	32	31	14,5	0,190	
	22	G1/2	8001L22 21		8201L22 21	ZS15-01/L22RB1/2"	14	32	36	26	33	16,5	0,220	
	22	G3/4	8001L22 27		8201L22 27	ZS15-01/L22RB	16	32	36	32	33	16,5	0,176	
	22	G1	8001L22 34		8201L22 34	ZS15-01/L22RB1"	18	41	36	39	34	17,5	0,283	
	28	G3/4	8001L28 27		8201L28 27	ZS15-01/L28RB3/4"	16	41	41	32	34	17,5	0,251	
	28	G1	8001L28 34		8201L28 34	ZS15-01/L28RB	18	41	41	39	34	17,5	0,247	
	35	G1	8001L35 34		8201L35 34	ZS15-01/L35RB1"	18	50	50	39	39	17,5	0,340	
35	G1"1/4	8001L35 42		8201L35 42	ZS15-01/L35RB	20	50	50	49	39	17,5	0,407		
42	G1"1/4	8001L42 42		8201L42 42	ZS15-01/L42RB1 1/4"	20	55	60	49	42	19	0,450		
42	G1"1/2	8001L42 49		8201L42 49	ZS15-01/L42RB	22	55	60	55	42	19	0,456		

Male stud couplings

BSP parallel
sealing bite
ISO 1179-4

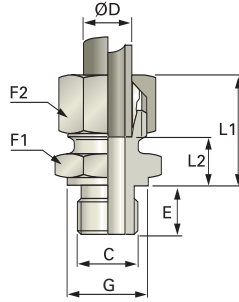


	PN	ØD	C	Body only	Double-bite ring	Bell code	E	F1	F2	G	L1	L2	kg
PB 630*	6	G1/4		8001S06 13	8201S06 13	ZS15-01/S6RB	12	19	17	18	28	13	0,050
	8	G1/4		8001S08 13	8201S08 13	ZS15-01/S8RB	12	19	19	18	30	15	0,055
	8	G3/8		8001S08 17	8201S08 17	ZS15-01/S8RB3/8"	12	22	19	22	30,5	15,5	0,070
	10	G1/4		8001S10 13	8201S10 13	ZS15-01/S10RB1/4"	12	19	22	18	30,5	14,5	0,070
	10	G3/8		8001S10 17	8201S10 17	ZS15-01/S10RB	12	22	22	22	31	15	0,082
	10	G1/2		8001S10 21	8201S10 21	ZS15-01/S10RB1/2"	14	27	22	26	33,5	17,5	0,110
	12	G1/4		8001S12 13	8201S12 13	ZS15-01/S12RB1/4"	12	22	24	18	32,5	16,5	0,090
	12	G3/8		8001S12 17	8201S12 17	ZS15-01/S12RB	12	22	24	22	33	17	0,095
	12	G1/2		8001S12 21	8201S12 21	ZS15-01/S12RB1/2"	14	27	24	26	33,5	17,5	0,125
	12	G3/4		8001S12 27	8201S12 27	ZS15-01/S12RB3/4"	16	32	24	32	35,5	19,5	0,130
S	14	G3/8		8001S14 17	8201S14 17	ZS15-01/S14RB3/8"	12	22	27	22	36,5	18,5	0,140
	14	G1/2		8001S14 21	8201S14 21	ZS15-01/S14RB	14	27	27	26	37	19	0,148
	16	G3/8		8001S16 17	8201S16 17	ZS15-01/S16RB3/8"	12	24	30	22	36,5	18	0,146
	16	G1/2		8001S16 21	8201S16 21	ZS15-01/S16RB	14	27	30	26	37	18,5	0,154
	16	G3/4		8001S16 27	8201S16 27	ZS15-01/S16RB3/4"	16	32	30	32	39	20,5	0,223
	20	G1/2		8001S20 21	8201S20 21	ZS15-01/S20RB1/2"	14	32	36	26	40	18,5	0,205
400	20	G3/4		8001S20 27	8201S20 27	ZS15-01/S20RB	16	32	36	32	42	20,5	0,253
	20	G1		8001S20 34	8201S20 34	ZS15-01/S20RB1"	18	41	36	39	44	22,5	0,260
	25	G3/4		8001S25 27	8201S25 27	ZS15-01/S25RB3/4"	16	41	46	32	47	23	0,378
	25	G1		8001S25 34	8201S25 34	ZS15-01/S25RB	18	41	46	39	47	23	0,465
250	30	G1		8001S30 34	8201S30 34	ZS15-01/S30RB1"	18	46	50	39	50	23,5	0,640
	30	G1"1/4		8001S30 42	8201S30 42	ZS15-01/S30RB	20	50	50	49	50	23,5	0,645
	38	G1"1/4		8001S38 42	8201S38 42	ZS15-01/S38RB1 1/4"	20	55	60	49	57	26	0,880
	38	G1"1/2		8001S38 49	8201S38 49	ZS15-01/S38RB	22	55	60	55	57	26	0,889

* Safety factor 3.

Male stud couplings

metric parallel
sealing bite
ISO 9974-3

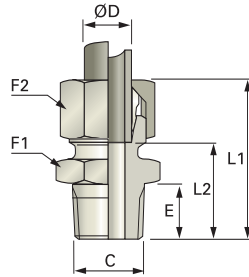


	PN	ØD	C	Body only	Double-bite ring	Bell code	E	F1	F2	G	L1	L2	kg
L	315	6	M10x1	8001L06 60	8201L06 60	ZS15-01/L6MB	8	14	14	14	23	8,5	0,025
		8	M12x1,5	8001L08 67	8201L08 67	ZS15-01/L8MB	12	17	17	17	25	10	0,040
		8	M14x1,5	8001L08 71	8201L08 71	ZS15-01/L8MB14X1,5	12	19	17	19	25	10	0,048
		8	M16x1,5	8001L08 75	8201L08 75	ZS15-01/L8MB16X1,5	12	22	17	21	26,5	11,5	0,058
		8	M18x1,5	8001L08 78	8201L08 78	ZS15-01/L8MB18X1,5	12	24	17	23	26,5	11,5	0,070
		10	M12x1,5	8001L10 67	8201L10 67	ZS15-01/L10MB12X1,5	12	17	19	17	26	11	0,047
		10	M14x1,5	8001L10 71	8201L10 71	ZS15-01/L10MB	12	19	19	19	26	11	0,047
		10	M16x1,5	8001L10 75	8201L10 75	ZS15-01/L10MB16X1,5	12	22	19	21	27,5	12,5	0,066
		10	M18x1,5	8001L10 78	8201L10 78	ZS15-01/L10MB18X1,5	12	24	19	23	27,5	12,5	0,075
		10	M22x1,5	8001L10 82	8201L10 82	ZS15-01/L10MB22X1,5	14	27	19	27	29	14	0,106
	12	M14x1,5	8001L12 71	8201L12 71	ZS15-01/L12MB14X1,5	12	19	22	19	27	12,5	0,064	
	12	M16x1,5	8001L12 75	8201L12 75	ZS15-01/L12MB	12	22	22	21	27	12,5	0,063	
	12	M18x1,5	8001L12 78	8201L12 78	ZS15-01/L12MB18X1,5	12	24	22	23	27	12,5	0,080	
	12	M22x1,5	8001L12 82	8201L12 82	ZS15-01/L12MB22X1,5	14	27	22	27	28,5	14	0,110	
	15	M16x1,5	8001L15 75	8201L15 75	ZS15-01/L15MB16X1,5	12	24	27	21	29	13,5	0,090	
	15	M18x1,5	8001L15 78	8201L15 78	ZS15-01/L15MB	12	24	27	23	29	13,5	0,095	
	15	M22x1,5	8001L15 82	8201L15 82	ZS15-01/L15MB22X1,5	14	27	27	27	30	15	0,124	
	18	M18x1,5	8001L18 78	8201L18 78	ZS15-01/L18MB18X1,5	12	27	32	23	31	14,5	0,120	
	18	M22x1,5	8001L18 82	8201L18 82	ZS15-01/L18MB	14	27	32	27	31	14,5	0,129	
	250	22	M22x1,5	8001L22 82	8201L22 82	ZS15-01/L22MB22X1,5	14	32	36	27	33	16,5	0,170
22		M26x1,5	8001L22 89	8201L22 89	ZS15-01/L22MB	16	32	36	31	33	16,5	0,176	
28		M33x2	8001L28 91	8201L28 91	ZS15-01/L28MB	18	41	41	39	34	17,5	0,247	
35		M42x2	8001L35 96	8201L35 96	ZS15-01/L35MB	20	50	50	49	39	17,5	0,407	
42		M48x2	8001L42 98	8201L42 98	ZS15-01/L42MB	22	55	60	55	42	19	0,456	
S		PB 630*	6	M12x1,5	8001S06 67	8201S06 67	ZS15-01/S6MB	12	17	17	17	28	13
	8		M14x1,5	8001S08 71	8201S08 71	ZS15-01/S8MB	12	19	19	19	30	15	0,055
	10		M16x1,5	8001S10 75	8201S10 75	ZS15-01/S10MB	12	22	22	21	31	15	0,082
	12		M18x1,5	8001S12 78	8201S12 78	ZS15-01/S12MB	12	24	24	23	33	17	0,105
	12		M22x1,5	8001S12 82	8201S12 82	ZS15-01/S12MB22X1,5	14	27	24	27	33,5	17,5	0,120
	14	M20x1,5	8001S14 80	8201S14 80	ZS15-01/S14MB	14	27	27	25	37	19	0,148	
	16	M18x1,5	8001S16 78	8201S16 78	ZS15-010/S16MB18X1,5	12	24	30	23	35	16,5	0,140	
	16	M22x1,5	8001S16 82	8201S16 82	ZS15-01/S16MB	14	27	30	27	37	18,5	0,154	
	20	M27x2	8001S20 86	8201S20 86	ZS15-01/S20MB	16	32	36	32	42	20,5	0,253	
	25	M33x2	8001S25 91	8201S25 91	ZS15-01/S25MB	18	41	46	39	47	23	0,465	
250	30	M42x2	8001S30 96	8201S30 96	ZS15-01/S30MB	20	50	50	49	50	23,5	0,644	
	38	M48x2	8001S38 98	8201S38 98	ZS15-01/S38MB	22	55	60	55	57	26	0,889	

* Safety factor 3.

Male stud couplings

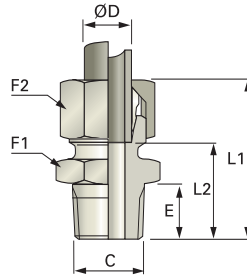
metric taper
and BSP taper
DIN 3852 form C



PN	ØD	C				Bell code	E	F1	F2	L1	L2	
			Body only	Single-bite ring	Double-bite ring							
LL	100	4 M8x1	8005E04 56	8105E04 56		15-01/LL4MK	8	10	10	26	16	0,014
		5 M8x1	8005E05 56	8105E05 56		15-01/LL5MK	8	11	12	26	14,5	0,015
		6 M6x1	8005E06 52	8105E06 52		15-01/LL6MK6x1	8	11	12	26	14,5	0,020
		6 M8x1	8005E06 56	8105E06 56		15-01/LL6MK8x1	8	11	12	26	14,5	0,020
		6 M10x1	8005E06 60	8105E06 60		15-01/LL6MK	8	11	12	26	14,5	0,016
		8 M10x1	8005E08 60	8105E08 60		15-01/LL8MK	8	12	14	28	16,5	0,018
LL	100	4 R1/8	8005E04 10	8105E04 10		15-01/LL4RK	8	11	10	26	16	0,015
		5 R1/8	8005E05 10	8105E05 10		15-01/LL5RK	8	11	12	26	14,5	0,015
		6 R1/8	8005E06 10	8105E06 10		15-01/LL6RK	8	11	12	26	14,5	0,016
		8 R1/8	8005E08 10	8105E08 10		15-01/LL8RK	8	12	14	28	16,5	0,018
		10 R1/4	8005E10 13	8105E10 13		15-01/LL10RK	12	14	17	32	20,5	0,033
		12 R1/4	8005E12 13	8105E12 13		15-01/LL12RK	12	17	19	32	20	0,040
L	315	6 R1/8	8005L06 10		8205L06 10	ZS15-01/L6RK	8	14	14	31	16	0,025
		6 R1/4	8005L06 13		8205L06 13	ZS15-01/L6RK1/4"	12	14	14	34,5	20	0,032
		8 R1/8	8005L08 10		8205L08 10	ZS15-01/L8RK1/8"	8	14	17	31	16	0,032
		8 R1/4	8005L08 13		8205L08 13	ZS15-01/L8RK	12	17	17	35	20	0,040
		8 R3/8	8005L08 17		8205L08 17	ZS15-01/L8RK3/8"	12	19	17	36	21	0,049
		10 R1/4	8005L10 13		8205L10 13	ZS15-01/L10RK	12	17	19	36	21	0,047
		10 R3/8	8005L10 17		8205L10 17	ZS15-01/L10RK3/8"	12	19	19	37	22	0,058
		10 R1/2	8005L10 21		8205L10 21	ZS15-01/L10RK1/2"	14	22	19	39	24	0,088
		12 R1/4	8005L12 13		8205L12 13	ZS15-01/L12RK1/4"	12	19	22	36	21	0,048
		12 R3/8	8005L12 17		8205L12 17	ZS15-01/L12RK	12	19	22	37	22	0,063
		12 R1/2	8005L12 21		8205L12 21	ZS15-01/L12RK1/2"	14	22	22	39	24	0,088
		15 R3/8	8005L15 17		8205L15 17	ZS15-01/L15RK3/8"	12	24	27	38,5	23	0,090
		15 R1/2	8005L15 21		8205L15 21	ZS15-01/L15RK	14	24	27	39	24	0,095
		160	18 R1/2	8005L18 21		8205L18 21	ZS15-01/L18RK	14	27	32	43	26,5
22 R3/4	8005L22 27			8205L22 27	ZS15-01/L22RK	16	32	36	45	28,5	0,176	

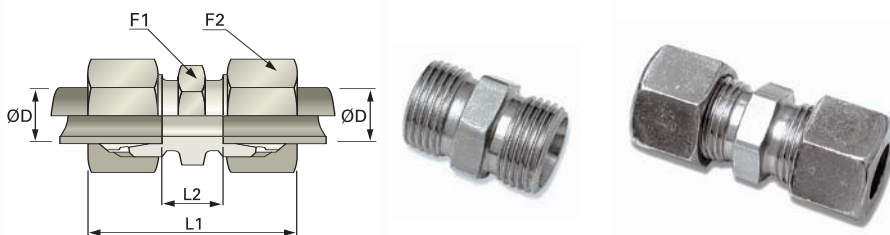
Male stud couplings

NPT



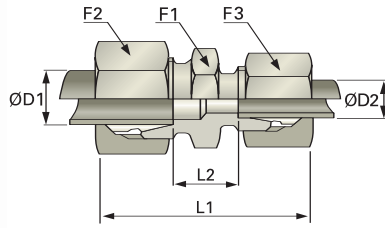
	PN	ØD	C	Body only	Single-bite ring	Double-bite ring	Bell code	E	F1	F2	L1	L2	kg
LL	100	4	1/8	8005E04 11	8105E04 11		ZS15-01/LL4NPT	9,97	11	10	28	18	0,015
		6	1/8	8005E06 11	8105E06 11		ZS15-01/LL6NPT	9,97	11	12	28	16,5	0,015
		8	1/8	8005E08 11	8105E08 11		ZS15-01/LL8NPT	9,97	12	14	30	18,5	0,020
L	315	6	1/8	8005L06 11		8205L06 11	ZS15-01/L6NPT	9,97	12	14	32	17	0,026
		6	1/4	8005L06 14		8205L06 14	ZS15-01/L6NPT1/4"	15,1	14	14	37	22	0,034
		8	1/4	8005L08 14		8205L08 14	ZS15-01/L8NPT	15,1	17	17	38	23	0,040
		10	1/4	8005L10 14		8205L10 14	ZS15-01/L10NPT	15,1	17	19	39	24	0,048
		10	3/8	8005L10 18		8205L10 18	ZS15-01/L10NPT3/8"	15,26	19	19	39	24	0,069
		12	1/4	8005L12 14		8205L12 14	ZS15-01/L12NPT1/4"	15,1	19	22	39,5	25	0,053
	160	12	3/8	8005L12 18		8205L12 18	ZS15-01/L12NPT	15,26	19	22	39,5	25	0,065
		12	1/2	8005L12 22		8205L12 22	ZS15-01/L12NPT1/2"	19,85	22	22	44,5	30	0,094
		15	1/2	8005L15 22		8205L15 22	ZS15-01/L15NPT	19,85	24	27	46,5	31	0,090
		18	1/2	8005L18 22		8205L18 22	ZS15-01/L18NPT	19,85	27	32	48	31,5	0,135
		22	3/4	8005L22 28		8205L22 28	ZS15-01/L22NPT	20,16	32	36	50	33,5	0,190
		28	1"	8005L28 35		8205L28 35	ZS15-01/L28NPT	25	41	41	56	39,5	0,275
S	630	35	1"1/4	8005L35 43		8205L35 43	ZS15-01/L35NPT	25,62	46	50	62	40,5	0,405
		42	1"1/2	8005L42 50		8205L42 50	ZS15-01/L42NPT	26,04	55	60	65	42	0,570
		6	1/4	8005S06 14		8205S06 14	ZS15-01/S6NPT	15,1	17	17	41	26	0,050
		8	1/4	8005S08 14		8205S08 14	ZS15-01/S8NPT	15,1	17	19	43	28	0,055
		10	1/4	8005S10 14		8205S10 14	ZS15-01/S10NPT1/4"	15,1	19	22	43,5	27,5	0,070
	400	10	3/8	8005S10 18		8205S10 18	ZS15-01/S10NPT	15,26	19	22	43,5	27,5	0,080
		12	3/8	8005S12 18		8205S12 18	ZS15-01/S12NPT	15,26	22	24	46	29,5	0,100
		12	1/2	8005S12 22		8205S12 22	ZS15-01/S12NPT1/2"	19,85	24	24	51	34,5	0,130
		14	1/2	8005S14 22		8205S14 22	ZS15-01/S14NPT	19,85	24	27	54	36	0,155
		16	1/2	8005S16 22		8205S16 22	ZS15-01/S16NPT	19,85	27	30	54	35,5	0,160
315	20	3/4	8005S20 28		8205S20 28	ZS15-01/S20NPT	20,16	32	36	59	37,5	0,250	
	25	1"	8005S25 35		8205S25 35	ZS15-01/S25NPT	25	41	46	69	45	0,475	
	30	1"1/4	8005S30 43		8205S30 43	ZS15-01/S30NPT	25,62	46	50	73	46,5	0,620	
	38	1"1/2	8005S38 50		8205S38 50	ZS15-01/S38NPT	26,04	55	60	79	49	0,890	

Straight couplings



	PN	ØD	Body only	Single-bite ring	Double-bite ring	DiNova ring	Bell code	F1	F2	L1	L2	
LL	100	4	8006E04 00	8106E04 00			15-10/LL4	9	10	31	12	0,014
		5	8006E05 00	8106E05 00			15-10/LL5	11	12	32	9	0,019
		6	8006E06 00	8106E06 00			15-10/LL6	11	12	32	9	0,021
		8	8006E08 00	8106E08 00			15-10/LL8	12	14	35	12	0,026
		10	8006E10 00	8106E10 00			15-10/LL10	14	17	35	12	0,035
		12	8006E12 00	8106E12 00			15-10/LL12	17	19	35	11	0,042
L	400	6	8006L06 00		8206L06 00	8306L06 00	ZS15-10/L6	12	14	39	10	0,035
		8	8006L08 00		8206L08 00	8306L08 00	ZS15-10/L8	14	17	40	11	0,049
		10	8006L10 00		8206L10 00	8306L10 00	ZS15-10/L10	17	19	42	13	0,069
		12	8006L12 00		8206L12 00	8306L12 00	ZS15-10/L12	19	22	43	14	0,085
	315	15	8006L15 00		8206L15 00	8306L15 00	ZS15-10/L15	24	27	46	16	0,138
		18	8006L18 00		8206L18 00	8306L18 00	ZS15-10/L18	27	32	48	16	0,195
	250	22	8006L22 00		8206L22 00	8306L22 00	ZS15-10/L22	32	36	52	20	0,262
		28	8006L28 00		8206L28 00	8306L28 00	ZS15-10/L28	41	41	54	21	0,315
		35	8006L35 00		8206L35 00	8306L35 00	ZS15-10/L35	46	50	63	20	0,494
		42	8006L42 00		8206L42 00	8306L42 00	ZS15-10/L42	55	60	66	21	0,728
S	630	6	8006S06 00		8206S06 00	8306S06 00	ZS15-10/S6	14	17	45	16	0,059
		8	8006S08 00		8206S08 00	8306S08 00	ZS15-10/S8	17	19	47	18	0,078
		10	8006S10 00		8206S10 00	8306S10 00	ZS15-10/S10	19	22	49	17	0,110
		12	8006S12 00		8206S12 00	8306S12 00	ZS15-10/S12	22	24	51	19	0,136
	400	14	8006S14 00		8206S14 00	8306S14 00	ZS15-10/S14	24	27	57	22	0,182
		16	8006S16 00		8206S16 00	8306S16 00	ZS15-10/S16	27	30	57	21	0,223
		20	8006S20 00		8206S20 00	8306S20 00	ZS15-10/S20	32	36	66	23	0,347
		25	8006S25 00		8206S25 00	8306S25 00	ZS15-10/S25	41	46	74	26	0,669
		30	8006S30 00		8206S30 00	8306S30 00	ZS15-10/S30	46	50	80	27	0,809
		315	38	8006S38 00		8206S38 00	8306S38 00	ZS15-10/S38	55	60	90	29

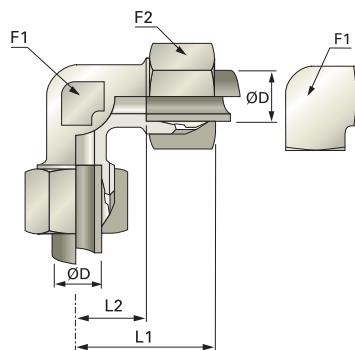
Straight reducing couplings



	PN	ØD1	ØD2	Body only	Single-bite ring	Double-bite ring	DiNova ring	Bell code	F1	F2	F3	L1	L2	kg	
LL	100	6	4	8006E06 04	8106E06 04			15-14/LL6-4	11	12	10	31,5	10,5	0,021	
		8	4	8006E08 04	8106E08 04			15-14/LL8-4	12	14	10	33,5	12,5	0,022	
		8	6	8006E08 06	8106E08 06			15-14/LL8-6	12	14	12	34	11	0,024	
400		8	6	8006L08 06		8206L08 06	8306L08 06	ZS15-14/L8-6	14	17	14	40	11	0,042	
		10	6	8006L10 06		8206L10 06	8306L10 06	ZS15-14/L10-6	17	19	14	41	12	0,052	
		10	8	8006L10 08		8206L10 08	8306L10 08	ZS15-14/L10-8	17	19	17	41	12	0,058	
		12	6	8006L12 06		8206L12 06	8306L12 06	ZS15-14/L12-6	19	22	14	42	13	0,063	
		12	8	8006L12 08		8206L12 08	8306L12 08	ZS15-14/L12-8	19	22	17	42	13	0,070	
		12	10	8006L12 10		8206L12 10	8306L12 10	ZS15-14/L12-10	19	22	19	43	14	0,077	
		15	6	8006L15 06		8206L15 06	8306L15 06	ZS15-14/L15-6	24	27	14	43,5	14	0,095	
		15	8	8006L15 08		8206L15 08	8306L15 08	ZS15-14/L15-8	24	27	17	43,5	14	0,110	
		15	10	8006L15 10		8206L15 10	8306L15 10	ZS15-14/L15-10	24	27	19	44,5	15	0,115	
		15	12	8006L15 12		8206L15 12	8306L15 12	ZS15-14/L15-12	24	27	22	44,5	15	0,120	
L	315	18	8	8006L18 08		8206L18 08	8306L18 08	ZS15-14/L18-8	27	32	17	45	14,5	0,145	
		18	10	8006L18 10		8206L18 10	8306L18 10	ZS15-14/L18-10	27	32	19	46	15,5	0,150	
		18	12	8006L18 12		8206L18 12	8306L18 12	ZS15-14/L18-12	27	32	22	46	15,5	0,190	
		18	15	8006L18 15		8206L18 15	8306L18 15	ZS15-14/L18-15	27	32	27	47,5	16,5	0,175	
		22	12	8006L22 12		8206L22 12	8306L22 12	ZS15-14/L22-12	32	36	22	48	17,5	0,188	
		22	15	8006L22 15		8206L22 15	8306L22 15	ZS15-14/L22-15	32	36	27	49,5	18,5	0,225	
		22	18	8006L22 18		8206L22 18	8306L22 18	ZS15-14/L22-18	32	36	32	50	18	0,250	
		28	15	8006L28 15		8206L28 15	8306L28 15	ZS15-14/L28-15	41	41	27	51	19,5	0,256	
		28	18	8006L28 18		8206L28 18	8306L28 18	ZS15-14/L28-18	41	41	32	51,5	19	0,307	
		28	22	8006L28 22		8206L28 22	8306L28 22	ZS15-14/L28-22	41	41	36	53,5	21	0,309	
250		35	22	8006L35 22		8206L35 22	8306L35 22	ZS15-14/L35-22	46	50	36	58,5	21	0,421	
		35	28	8006L35 28		8206L35 28	8306L35 28	ZS15-14/L35-28	46	50	41	59	21	0,455	
		8	6	8006S08 06		8206S08 06	8306S08 06	ZS15-14/S8-6	17	19	17	47	18	0,068	
630		10	6	8006S10 06		8206S10 06	8306S10 06	ZS15-14/S10-6	19	22	17	48	17,5	0,090	
		10	8	8006S10 08		8206S10 08	8306S10 08	ZS15-14/S10-8	19	22	19	48	17,5	0,093	
		12	6	8006S12 06		8206S12 06	8306S12 06	ZS15-14/S12-6	22	24	17	50	19,5	0,107	
		12	8	8006S12 08		8206S12 08	8306S12 08	ZS15-14/S12-8	22	24	19	50	19,5	0,112	
		12	10	8006S12 10		8206S12 10	8306S12 10	ZS15-14/S12-10	22	24	22	51	19	0,128	
		14	10	8006S14 10		8206S14 10	8306S14 10	ZS15-14/S14-10	24	27	22	54	20,5	0,154	
		14	12	8006S14 12		8206S14 12	8306S14 12	ZS15-14/S14-12	24	27	24	54	20,5	0,159	
		16	10	8006S16 10		8206S16 10	8306S16 10	ZS15-14/S16-10	27	30	22	54	20	0,186	
		16	12	8006S16 12		8206S16 12	8306S16 12	ZS15-14/S16-12	27	30	24	54	20	0,187	
		16	14	8006S16 14		8206S16 14	8306S16 14	ZS15-14/S16-14	27	30	27	57	21,5	0,206	
S	400	20	10	8006S20 10		8206S20 10	8306S20 10	ZS15-14/S20-10	32	36	22	59,5	22	0,261	
		20	12	8006S20 12		8206S20 12	8306S20 12	ZS15-14/S20-12	32	36	24	63,5	26	0,301	
		20	14	8006S20 14		8206S20 14	8306S20 14	ZS15-14/S20-14	32	36	27	62,5	23,5	0,302	
		20	16	8006S20 16		8206S20 16	8306S20 16	ZS15-14/S20-16	32	36	30	62,5	23	0,303	
		25	16	8006S25 16		8206S25 16	8306S25 16	ZS15-14/S25-16	41	46	30	67,5	25,5	0,552	
		25	20	8006S25 20		8206S25 20	8306S25 20	ZS15-14/S25-20	41	46	36	71	25,5	0,564	
		30	20	8006S30 20		8206S30 20	8306S30 20	ZS15-14/S30-20	46	50	36	74	26	0,628	
		30	25	8006S30 25		8206S30 25	8306S30 25	ZS15-14/S30-25	46	50	46	77	26,5	0,755	
		315	38	30	8006S38 30		8206S38 30	8306S38 30	ZS15-14/S38-30	55	60	50	86,5	29,5	1,088

Other dimensions are available upon request.

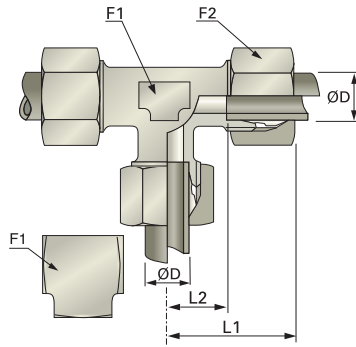
Equal elbows



	PN	ØD	Body only	Single-bite ring	Double-bite ring	DiNova ring	Bell code	F1*	F2	L1	L2	kg
LL	100	4	8002E04 00	8102E04 00			15-11/LL4	9	10	21	11	0,023
		6	8002E06 00	8102E06 00			15-11/LL6	11	12	21	9,5	0,027
		8	8002E08 00	8102E08 00			15-11/LL8	12	14	23	11,5	0,037
		10	8002E10 00	8102E10 00			15-11/LL10	14	17	27	15,5	0,051
		12	8002E12 00	8102E12 00			15-11/LL12	17	19	27	15	0,072
L	400	6	8002L06 00		8202L06 00	8302L06 00	ZS15-11/L6	12	14	27	12	0,051
		8	8002L08 00		8202L08 00	8302L08 00	ZS15-11/L8	14	17	29	14	0,075
		10	8002L10 00		8202L10 00	8302L10 00	ZS15-11/L10	17	19	30	15	0,106
		12	8002L12 00		8202L12 00	8302L12 00	ZS15-11/L12	19	22	32	17	0,137
		15	8002L15 00		8202L15 00	8302L15 00	ZS15-11/L15	19	27	36	21	0,158
	315	18	8002L18 00		8202L18 00	8302L18 00	ZS15-11/L18	24	32	40	23,5	0,239
		22	8002L22 00		8202L22 00	8302L22 00	ZS15-11/L22	27	36	44	27,5	0,317
	250	28	8002L28 00		8202L28 00	8302L28 00	ZS15-11/L28	36	41	47	30,5	0,420
		35	8002L35 00		8202L35 00	8302L35 00	ZS15-11/L35	41	50	56	34,5	0,759
		42	8002L42 00		8202L42 00	8302L42 00	ZS15-11/L42	50	60	63	40	1,078
S	630	6	8002S06 00		8202S06 00	8302S06 00	ZS15-11/S6	14	17	31	16	0,086
		8	8002S08 00		8202S08 00	8302S08 00	ZS15-11/S8	17	19	32	17	0,112
		10	8002S10 00		8202S10 00	8302S10 00	ZS15-11/S10	19	22	34	17,5	0,165
		12	8002S12 00		8202S12 00	8302S12 00	ZS15-11/S12	22	24	38	21,5	0,216
		14	8002S14 00		8202S14 00	8302S14 00	ZS15-11/S14	19	27	40	22	0,207
	400	16	8002S16 00		8202S16 00	8302S16 00	ZS15-11/S16	24	30	43	24,5	0,258
		20	8002S20 00		8202S20 00	8302S20 00	ZS15-11/S20	27	36	48	26,5	0,407
		25	8002S25 00		8202S25 00	8302S25 00	ZS15-11/S25	36	46	54	30	0,776
		30	8002S30 00		8202S30 00	8302S30 00	ZS15-11/S30	41	50	62	35,5	0,974
		315	38	8002S38 00		8202S38 00	8302S38 00	ZS15-11/S38	50	60	72	41

* Models ØD 4 to 10mm are manufactured from profile steel
Models ØD > 10mm are manufactured from forged steel

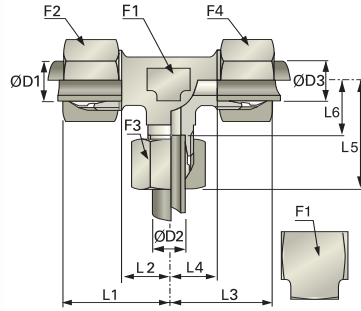
Equal tees



	PN	ØD	Body only	Single-bite ring	Double-bite ring	DiNova ring	Bell code	F1*	F2	L1	L2	kg	
LL		4	8004E04 00	8104E04 00			15-12/LL4	9	10	21	11	0,031	
		6	8004E06 00	8104E06 00			15-12/LL6	11	12	21	9,5	0,036	
		8	8004E08 00	8104E08 00			15-12/LL8	12	14	23	11,5	0,052	
L	400	6	8004L06 00		8204L06 00	8304L06 00	ZS15-12/L6	12	14	27	12	0,071	
		8	8004L08 00		8204L08 00	8304L08 00	ZS15-12/L8	14	17	29	14	0,101	
		10	8004L10 00		8204L10 00	8304L10 00	ZS15-12/L10	17	19	30	15	0,137	
		12	8004L12 00		8204L12 00	8304L12 00	ZS15-12/L12	19	22	32	17	0,174	
		15	8004L15 00		8204L15 00	8304L15 00	ZS15-12/L15	19	27	36	21	0,244	
	315	18	8004L18 00		8204L18 00	8304L18 00	ZS15-12/L18	24	32	40	23,5	0,353	
		22	8004L22 00		8204L22 00	8304L22 00	ZS15-12/L22	27	36	44	27,5	0,473	
		28	8004L28 00		8204L28 00	8304L28 00	ZS15-12/L28	36	41	47	30,5	0,737	
	250	35	8004L35 00		8204L35 00	8304L35 00	ZS15-12/L35	41	50	56	34,5	0,901	
		42	8004L42 00		8204L42 00	8304L42 00	ZS15-12/L42	50	60	63	40	1,484	
S	630	6	8004S06 00		8204S06 00	8304S06 00	ZS15-12/S6	14	17	31	16	0,118	
		8	8004S08 00		8204S08 00	8304S08 00	ZS15-12/S8	17	19	32	17	0,148	
		10	8004S10 00		8204S10 00	8304S10 00	ZS15-12/S10	19	22	34	17,5	0,215	
		12	8004S12 00		8204S12 00	8304S12 00	ZS15-12/S12	22	24	38	21,5	0,284	
		14	8004S14 00		8204S14 00	8304S14 00	ZS15-12/S14	19	27	40	22	0,295	
	400	16	8004S16 00		8204S16 00	8304S16 00	ZS15-12/S16	24	30	43	24,5	0,387	
		20	8004S20 00		8204S20 00	8304S20 00	ZS15-12/S20	27	36	48	26,5	0,590	
		25	8004S25 00		8204S25 00	8304S25 00	ZS15-12/S25	36	46	54	30	1,096	
		30	8004S30 00		8204S30 00	8304S30 00	ZS15-12/S30	41	50	62	35,5	1,313	
		315	38	8004S38 00		8204S38 00	8304S38 00	ZS15-12/S38	50	60	72	41	2,027

* Models ØD 4 to 10mm are manufactured from profile steel
 Models ØD > 10mm are manufactured from forged steel

Reducing tee couplings



PN	ØD1	ØD2	ØD3	Body only	Double-bite ring	DiNova ring	Bell code	F1*	F2	F3	F4	L1	L2	L3	L4	L5	L6	kg	
L	6	10	6	8004L06 10	8204L06 10	8304L06 10	ZS15-16/L6-10-6	17	14	19	14	30	15	30	15	30	15	0,108	
	8	6	8	8004L08 06	8204L08 06	8304L08 06	ZS15-16/L8-6-8	14	17	14	17	29	14	29	14	29	14	0,099	
	8	10	8	8004L08 10	8204L08 10	8304L08 10	ZS15-16/L8-10-8	17	17	19	17	30	15	30	15	30	15	0,127	
	10	6	10	8004L10 06	8204L10 06	8304L10 06	ZS15-16/L10-6-10	17	19	14	19	30	15	30	15	30	15	0,122	
	10	8	10	8004L10 08	8204L10 08	8304L10 08	ZS15-16/L10-8-10	17	19	17	19	30	15	30	15	30	15	0,128	
	10	15	10	8004L10 15	8204L10 15	8304L10 15	ZS15-16/L10-15-10	19	19	27	19	36	21	36	21	36	21	0,225	
	12	6	12	8004L12 06	8204L12 06	8304L12 06	ZS15-16/L12-6-12	19	22	14	22	32	17	32	17	32	17	0,160	
	12	8	12	8004L12 08	8204L12 08	8304L12 08	ZS15-16/L12-8-12	19	22	17	22	32	17	32	17	32	17	0,161	
	12	10	12	8004L12 10	8204L12 10	8304L12 10	ZS15-16/L12-10-12	19	22	19	22	32	17	32	17	32	17	0,163	
	15	6	15	8004L15 06	8204L15 06	8304L15 06	ZS15-16/L15-6-15	19	27	14	27	36	21	36	21	36	21	0,210	
	15	8	15	8004L15 08	8204L15 08	8304L15 08	ZS15-16/L15-8-15	19	27	17	27	36	21	36	21	36	21	0,224	
	15	10	15	8004L15 10	8204L15 10	8304L15 10	ZS15-16/L15-10-15	19	27	19	27	36	21	36	21	36	21	0,225	
	15	12	15	8004L15 12	8204L15 12	8304L15 12	ZS15-16/L15-12-15	19	27	22	27	36	21	36	21	36	21	0,235	
	15	18	15	8004L15 18	8204L15 18	8304L15 18	ZS15-16/L15-18-15	24	27	32	27	39	24	39	24	40	23,5	0,327	
	315	18	12	18	8004L18 12	8204L18 12	8304L18 12	ZS15-16/L18-12-18	24	32	22	32	40	23,5	40	23,5	39	24	0,317
18		15	18	8004L18 15	8204L18 15	8304L18 15	ZS15-16/L18-15-18	24	32	27	32	40	23,5	40	23,5	39	24	0,343	
22		10	22	8004L22 10	8204L22 10	8304L22 10	ZS15-16/L22-10-22	27	36	19	36	44	27,5	44	27,5	43	28	0,435	
22		12	22	8004L22 12	8204L22 12	8304L22 12	ZS15-16/L22-12-22	27	36	22	36	44	27,5	44	27,5	43	28	0,430	
22		15	22	8204L22 15	8204L22 15	8304L22 15	ZS15-16/L22-15-22	27	36	27	36	44	27,5	44	27,5	43	28	0,472	
22		18	22	8004L22 18	8204L22 18	8304L22 18	ZS15-16/L22-18-22	27	36	32	36	44	27,5	44	27,5	44	27,5	0,470	
250	28	10	28	8004L28 10	8204L28 10	8304L28 10	ZS15-16/L28-10-28	36	41	19	41	47	30,5	47	30,5	46	31	0,530	
	28	12	28	8004L28 12	8204L28 12	8304L28 12	ZS15-16/L28-12-28	36	41	22	41	47	30,5	47	30,5	46	31	0,542	
	28	15	28	8004L28 15	8204L28 15	8304L28 15	ZS15-16/L28-15-28	36	41	27	41	47	30,5	47	30,5	46	31	0,561	
	28	18	28	8004L28 18	8204L28 18	8304L28 18	ZS15-16/L28-18-28	36	41	32	41	47	30,5	47	30,5	47	30,5	0,586	
	28	22	28	8004L28 22	8204L28 22	8304L28 22	ZS15-16/L28-22-28	36	41	36	41	47	30,5	47	30,5	47	30,5	0,558	
S	400	16	12	16	8004S16 12	8204S16 12	8304S16 12	ZS15-16/S16-12-16	24	30	24	30	43	24,5	43	24,5	42	25,5	0,360

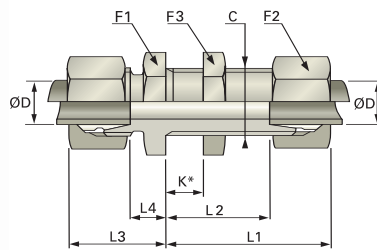
* Models ØD 4 to 10mm are manufactured from profile steel
Models ØD > 10mm are manufactured from forged steel

Equal crosses



PN	ØD	Body only	Double-bite ring	DiNova ring	Bell code	F1	F2	L1	L2	kg	
L	400	6	8007L06 00	8207L06 00	8307L06 00	ZS15-13/L6	12	14	27	12	0,077
	8	8007L08 00	8207L08 00	8307L08 00	ZS15-13/L8	12	17	29	14	0,109	
	10	8007L10 00	8207L10 00	8307L10 00	ZS15-13/L10	14	19	30	15	0,155	
	12	8007L12 00	8207L12 00	8307L12 00	ZS15-13/L12	17	22	32	17	0,192	
	15	8007L15 00	8207L15 00	8307L15 00	ZS15-13/L15	19	27	36	21	0,311	
	315	18	8007L18 00	8207L18 00	8307L18 00	ZS15-13/L18	24	32	40	23,5	0,483
	22	8007L22 00	8207L22 00	8307L22 00	ZS15-13/L22	27	36	44	27,5	0,724	
	28	8007L28 00	8207L28 00	8307L28 00	ZS15-13/L28	36	41	47	30,5	1,010	
	250	35	8007L35 00	8207L35 00	8307L35 00	ZS15-13/L35	41	50	56	34,5	1,228
	42	8007L42 00	8207L42 00	8307L42 00	ZS15-13/L42	50	60	63	40	1,756	
S	630	6	8007S06 00	8207S06 00	8307S06 00	ZS15-13/S6	12	17	31	16	0,123
	8	8007S08 00	8207S08 00	8307S08 00	ZS15-13/S8	14	19	32	17	0,148	
	10	8007S10 00	8207S10 00	8307S10 00	ZS15-13/S10	17	22	34	17,5	0,230	
	12	8007S12 00	8207S12 00	8307S12 00	ZS15-13/S12	17	24	38	21,5	0,282	
	14	8007S14 00	8207S14 00	8307S14 00	ZS15-13/S14	19	27	40	22	0,354	
	16	8007S16 00	8207S16 00	8307S16 00	ZS15-13/S16	24	30	43	24,5	0,451	
	400	20	8007S20 00	8207S20 00	8307S20 00	ZS15-13/S20	27	36	48	26,5	0,704
	25	8007S25 00	8207S25 00	8307S25 00	ZS15-13/S25	36	46	54	30	1,402	
	30	8007S30 00	8207S30 00	8307S30 00	ZS15-13/S30	41	50	62	35,5	1,761	
	315	38	8007S38 00	8207S38 00	8307S38 00	ZS15-13/S38	50	60	72	41	2,576

Bulkhead straight couplings

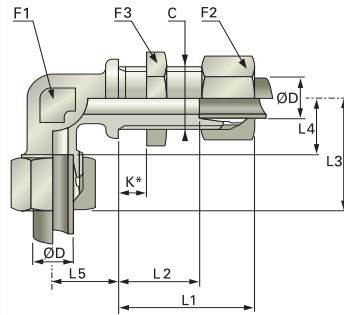


	PN	ØD	C	Body only	Double-bite ring	DiNova ring	Bell code	F1	F2	F3	L1	L2	L3	L4	
L	400	6	M12x1,5	8V16L06 00	8216L06 00	8316L06 00	ZS15-22/L6	17	14	17	42	27	22	7	0,067
		8	M14x1,5	8V16L08 00	8216L08 00	8316L08 00	ZS15-22/L8	19	17	19	42	27	23	8	0,084
		10	M16x1,5	8V16L10 00	8216L10 00	8316L10 00	ZS15-22/L10	22	19	22	43	28	25	10	0,125
		12	M18x1,5	8V16L12 00	8216L12 00	8316L12 00	ZS15-22/L12	24	22	24	44	29	25	10	0,147
		15	M22x1,5	8V16L15 00	8216L15 00	8316L15 00	ZS15-22/L15	27	27	30	46	31	27	12	0,228
	315	18	M26x1,5	8V16L18 00	8216L18 00	8316L18 00	ZS15-22/L18	32	32	36	49	32,5	29	13,5	0,332
		22	M30x2	8V16L22 00	8216L22 00	8316L22 00	ZS15-22/L22	36	36	41	51	34,5	33	16,5	0,415
		28	M36x2	8V16L28 00	8216L28 00	8316L28 00	ZS15-22/L28	41	41	46	52	35,5	35	18,5	0,525
		35	M45x2	8V16L35 00	8216L35 00	8316L35 00	ZS15-22/L35	50	50	55	58	36,5	40	18,5	0,800
		42	M52x2	8V16L42 00	8216L42 00	8316L42 00	ZS15-22/L42	60	60	65	59	36	42	19	1,193
S	630	6	M14x1,5	8V16S06 00	8216S06 00	8316S06 00	ZS15-22/S6	19	17	19	44	29	27	12	0,096
		8	M16x1,5	8V16S08 00	8216S08 00	8316S08 00	ZS15-22/S8	22	19	22	44	29	28	13	0,124
		10	M18x1,5	8V16S10 00	8216S10 00	8316S10 00	ZS15-22/S10	24	22	24	46	29,5	31	14,5	0,181
		12	M20x1,5	8V16S12 00	8216S12 00	8316S12 00	ZS15-22/S12	27	24	27	47	30,5	31	14,5	0,210
		14	M22x1,5	8V16S14 00	8216S14 00	8316S14 00	ZS15-22/S14	30	27	30	50	32	35	17	0,267
	400	16	M24x1,5	8V16S16 00	8216S16 00	8316S16 00	ZS15-22/S16	32	30	32	50	31,5	35	16,5	0,310
		20	M30x2	8V16S20 00	8216S20 00	8316S20 00	ZS15-22/S20	36	36	41	56	33,5	39	17,5	0,545
		25	M36x2	8V16S25 00	8216S25 00	8316S25 00	ZS15-22/S25	46	46	46	59	35	44	20	0,890
		30	M42x2	8V16S30 00	8216S30 00	8316S30 00	ZS15-22/S30	50	50	50	64	37,5	48	21,5	1,077
		315	38	M52x2	8V16S38 00	8216S38 00	8316S38 00	ZS15-22/S38	65	60	65	68	37	53	22

* K = 16 mm max.

Bodies only are delivered with lock nut. Bodies only without lock nut are available upon request.

Bulkhead elbow couplings

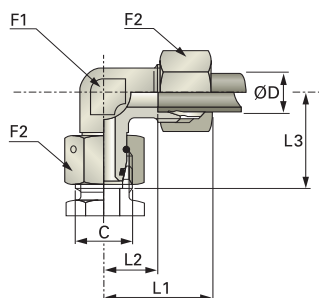


	PN	ØD	C	Body only	Double-bite ring	DiNova ring	Bell code	F1	F2	F3	L1	L2	L3	L4	L5	
L	400	6	M12x1,5	8V12L06 00	8212L06 00	8312L06 00	ZS15/1-22/L6	12	14	17	42	27	27	12	14	0,067
		8	M14x1,5	8V12L08 00	8212L08 00	8312L08 00	ZS15/1-22/L8	12	17	19	42	27	29	14	17	0,099
		10	M16x1,5	8V12L10 00	8212L10 00	8312L10 00	ZS15/1-22/L10	14	19	22	43	28	30	15	18	0,135
		12	M18x1,5	8V12L12 00	8212L12 00	8312L12 00	ZS15/1-22/L12	17	22	24	44	29	32	17	20	0,187
		15	M22x1,5	8V12L15 00	8212L15 00	8312L15 00	ZS15/1-22/L15	19	27	30	46	31	36	21	23	0,273
	315	18	M26x1,5	8V12L18 00	8212L18 00	8312L18 00	ZS15/1-22/L18	24	32	36	49	32,5	40	23,5	24	0,372
		22	M30x2	8V12L22 00	8212L22 00	8312L22 00	ZS15/1-22/L22	27	36	41	51	34,5	44	27,5	30	0,465
		28	M36x2	8V12L28 00	8212L28 00	8312L28 00	ZS15/1-22/L28	36	41	46	52	35,5	47	30,5	34	0,640
		35	M45x2	8V12L35 00	8212L35 00	8312L35 00	ZS15/1-22/L35	41	50	55	58	36,5	56	34,5	39	0,994
		42	M52x2	8V12L42 00	8212L42 00	8312L42 00	ZS15/1-22/L42	50	60	65	59	36	63	40	43	1,563
S	630	6	M14x1,5	8V12S06 00	8212S06 00	8312S06 00	ZS15/1-22/S6	12	17	19	44	29	31	16	17	0,096
		8	M16x1,5	8V12S08 00	8212S08 00	8312S08 00	ZS15/1-22/S8	14	19	22	44	29	32	17	18	0,124
		10	M18x1,5	8V12S10 00	8212S10 00	8312S10 00	ZS15/1-22/S10	17	22	24	46	29,5	34	17,5	20	0,181
		12	M20x1,5	8V12S12 00	8212S12 00	8312S12 00	ZS15/1-22/S12	17	24	27	47	30,5	38	21,5	21	0,225
		14	M22x1,5	8V12S14 00	8212S14 00	8312S14 00	ZS15/1-22/S14	19	27	30	50	32	40	22	23	0,287
	400	16	M24x1,5	8V12S16 00	8212S16 00	8312S16 00	ZS15/1-22/S16	24	30	32	50	31,5	43	24,5	24	0,365
		20	M30x2	8V12S20 00	8212S20 00	8312S20 00	ZS15/1-22/S20	27	36	41	55	33,5	48	26,5	30	0,580
		25	M36x2	8V12S25 00	8212S25 00	8312S25 00	ZS15/1-22/S25	36	46	46	59	35	54	30	34	1,000
		30	M42x2	8V12S30 00	8212S30 00	8312S30 00	ZS15/1-22/S30	41	50	50	68	37,5	66	35,5	39	1,122
		315	38	M52x2	8V12S38 00	8212S38 00	8312S38 00	ZS15/1-22/S38	50	60	65	68	37	72	41	43

* K = 16 mm max.

Adjustable and standpipe elbows (DKO)

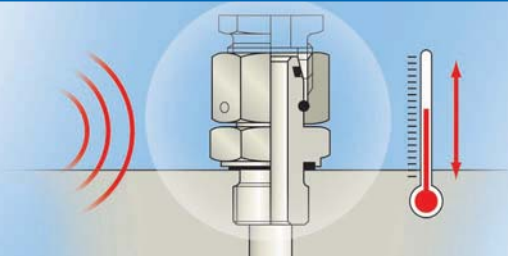
24° sealing cone and O-ring



	PN	ØD	C	Body only	Double-bite ring	DiNova ring	Bell code	F1*	F2	L1	L2	L3	O-ring	kg
L	400	6	M12x1,5	8072L06 00	8272L06 00	8372L06 00	ZS14/1-29/L6V-DM	12	14	27	12	26	4x1,5	0,045
		8	M14x1,5	8072L08 00	8272L08 00	8372L08 00	ZS14/1-29/L8V-DM	14	17	29	14	27,5	6x1,5	0,057
		10	M16x1,5	8072L10 00	8272L10 00	8372L10 00	ZS14/1-29/L10V-DM	17	19	30	15	29	7,5x1,5	0,069
		12	M18x1,5	8072L12 00	8272L12 00	8372L12 00	ZS14/1-29/L12V-DM	19	22	32	17	29,5	9x1,5	0,093
		15	M22x1,5	8072L15 00	8272L15 00	8372L15 00	ZS14/1-29/L15V-DM	19	27	36	21	32,5	12x2	0,160
	315	18	M26x1,5	8072L18 00	8272L18 00	8372L18 00	ZS14/1-29/L18V-DM	24	32	40	23,5	35,5	15x2	0,232
		22	M30x2	8072L22 00	8272L22 00	8372L22 00	ZS14/1-29/L22V-DM	27	36	44	27,5	38,5	20x2	0,313
		28	M36x2	8072L28 00	8272L28 00	8372L28 00	ZS14/1-29/L28V-DM	36	41	47	30,5	41,5	26x2	0,426
	250	35	M45x2	8072L35 00	8272L35 00	8372L35 00	ZS14/1-29/L35V-DM	41	50	56	34,5	51	32x2,5	0,643
		42	M52x2	8072L42 00	8272L42 00	8372L42 00	ZS14/1-29/L42V-DM	50	60	63	40	56	38x2,5	1,013
S	630	6	M14x1,5	8072S06 00	8272S06 00	8372S06 00	ZS14/1-29/S6V-DM	14	17	31	16	27	4x1,5	0,063
		8	M16x1,5	8072S08 00	8272S08 00	8372S08 00	ZS14/1-29/S8V-DM	17	19	32	17	27,5	6x1,5	0,078
		10	M18x1,5	8072S10 00	8272S10 00	8372S10 00	ZS14/1-29/S10V-DM	19	22	34	17,5	30	7,5x1,5	0,117
		12	M20x1,5	8072S12 00	8272S12 00	8372S12 00	ZS14/1-29/S12V-DM	22	24	38	21,5	31	9x1,5	0,140
		14	M22x1,5	8072S14 00	8272S14 00	8372S14 00	ZS14/1-29/S14V-DM	19	27	40	22	35	10x2	0,196
	400	16	M24x1,5	8072S16 00	8272S16 00	8372S16 00	ZS14/1-29/S16V-DM	24	30	43	24,5	36,5	12x2	0,252
		20	M30x2	8072S20 00	8272S20 00	8372S20 00	ZS14/1-29/S20V-DM	27	36	48	26,5	44,5	16,3x2,4	0,401
		25	M36x2	8072S25 00	8272S25 00	8372S25 00	ZS14/1-29/S25V-DM	36	46	54	30	50	20,3x2,4	0,727
		30	M42x2	8072S30 00	8272S30 00	8372S30 00	ZS14/1-29/S30V-DM	41	50	62	35,5	55	25,3x2,4	0,990
		315	38	M52x2	8072S38 00	8272S38 00	8372S38 00	ZS14/1-29/S38V-DM	50	60	72	41	63	33,3x2,4

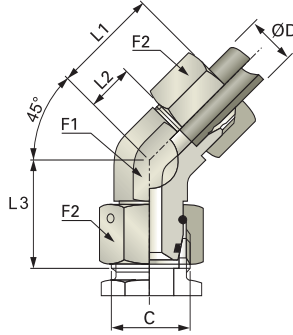
* Models ØD 6 to 10mm are manufactured from profile steel
Models ØD > 10mm are manufactured from forged steel

Couplings with 24° sealing cone and O-ring ensure high safety, particularly when strong vibration, whip-lash and temperature fluctuations may be present.



Adjustable and standpipe 45° elbows (DKO)

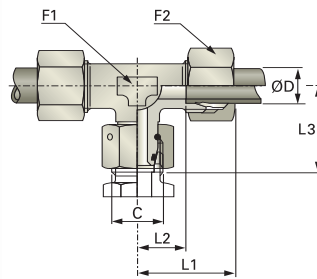
24° sealing cone and O-ring



	PN	ØD	C	Body only	Double-bite ring	DiNova ring	Bell code	F1	F2	L1	L2	L3	O-ring	kg	
L	400	6	M12x1,5	8070L06 00	8270L06 00	8370L06 00	ZS14/7-29/L6V-DM	14	14	24	9	26	4x1,5	0,050	
		8	M14x1,5	8070L08 00	8270L08 00	8370L08 00	ZS14/7-29/L8V-DM	14	17	27	12	27,5	6x1,5	0,069	
		10	M16x1,5	8070L10 00	8270L10 00	8370L10 00	ZS14/7-29/L10V-DM	19	19	27	12	29	7,5x1,5	0,101	
		12	M18x1,5	8070L12 00	8270L12 00	8370L12 00	ZS14/7-29/L12V-DM	19	22	28	14	29,5	9x1,5	0,119	
		15	M22x1,5	8070L15 00	8270L15 00	8370L15 00	ZS14/7-29/L15V-DM	22	27	32	17	32,5	12x2	0,189	
	315	18	M26x1,5	8070L18 00	8270L18 00	8370L18 00	ZS14/7-29/L18V-DM	27	32	33	17	35,5	15x2	0,285	
		22	M30x2	8070L22 00	8270L22 00	8370L22 00	ZS14/7-29/L22V-DM	30	36	35	19	38,5	20x2	0,348	
		28	M36x2	8070L28 00	8270L28 00	8370L28 00	ZS14/7-29/L28V-DM	36	41	40	23	41,5	26x2	0,450	
	250	35	M45x2	8070L35 00	8270L35 00	8370L35 00	ZS14/7-29/L35V-DM	50	50	48	27	51	32x2,5	0,959	
		42	M52x2	8070L42 00	8270L42 00	8370L42 00	ZS14/7-29/L42V-DM	50	60	49	26	56	38x2,5	1,080	
S	630	6	M14x1,5	8070S06 00	8270S06 00	8370S06 00	ZS14/7-29/S6V-DM	14	17	24	9	27	4x1,5	0,070	
		8	M16x1,5	8070S08 00	8270S08 00	8370S08 00	ZS14/7-29/S8V-DM	19	19	27	12	27,5	6x1,5	0,104	
		10	M18x1,5	8070S10 00	8270S10 00	8370S10 00	ZS14/7-29/S10V-DM	19	22	29	13	30	7,5x1,5	0,134	
		12	M20x1,5	8070S12 00	8270S12 00	8370S12 00	ZS14/7-29/S12V-DM	19	24	33	17	31	9x1,5	0,153	
		16	M24x1,5	8070S16 00	8270S16 00	8370S16 00	ZS14/7-29/S16V-DM	27	30	34	16	36,5	12x2	0,277	
	400	20	M30x2	8070S20 00	8270S20 00	8370S20 00	ZS14/7-29/S20V-DM	30	36	38	16	44,5	16,3x2,4	0,432	
		25	M36x2	8070S25 00	8270S25 00	8370S25 00	ZS14/7-29/S25V-DM	36	46	43	19	50	20,3x2,4	0,765	
		30	M42x2	8070S30 00	8270S30 00	8370S30 00	ZS14/7-29/S30V-DM	50	50	50	24	55	25,3x2,4	1,153	
		315	38	M52x2	8070S38 00	8270S38 00	8370S38 00	ZS14/7-29/S38V-DM	50	60	52	21	63	33,3x2,4	1,363

Adjustable male stud branch tees (DKO)

24° sealing cone and O-ring

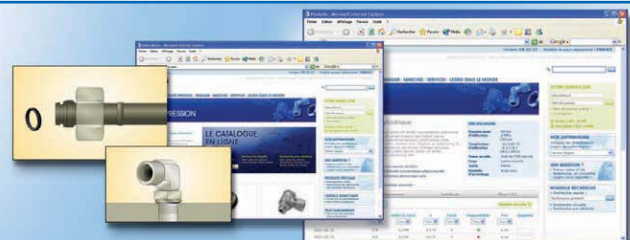


	PN	ØD	C	Body only	Double-bite ring	DiNova ring	Bell code	F1*	F2	L1	L2	L3	O-ring	kg
L	400	6	M12x1,5	8074L06 00	8274L06 00	8374L06 00	ZS14/2-29/L6V-DM	12	14	27	12	26	4x1,5	0,065
		8	M14x1,5	8074L08 00	8274L08 00	8374L08 00	ZS14/2-29/L8V-DM	14	17	29	14	27,5	6x1,5	0,077
		10	M16x1,5	8074L10 00	8274L10 00	8374L10 00	ZS14/2-29/L10V-DM	17	19	30	15	29	7,5x1,5	0,100
		12	M18x1,5	8074L12 00	8274L12 00	8374L12 00	ZS14/2-29/L12V-DM	19	22	32	17	29,5	9x1,5	0,132
		15	M22x1,5	8074L15 00	8274L15 00	8374L15 00	ZS14/2-29/L15V-DM	19	27	36	21	32,5	12x2	0,226
	315	18	M26x1,5	8074L18 00	8274L18 00	8374L18 00	ZS14/2-29/L18V-DM	24	32	40	23,5	35,5	15x2	0,337
		22	M30x2	8074L22 00	8274L22 00	8374L22 00	ZS14/2-29/L22V-DM	27	36	44	27,5	38,5	20x2	0,436
		28	M36x2	8074L28 00	8274L28 00	8374L28 00	ZS14/2-29/L28V-DM	36	41	47	30,5	41,5	26x2	0,616
		35	M45x2	8074L35 00	8274L35 00	8374L35 00	ZS14/2-29/L35V-DM	41	50	56	34,5	51	32x2,5	0,918
		42	M52x2	8074L42 00	8274L42 00	8374L42 00	ZS14/2-29/L42V-DM	50	60	63	40	56	38x2,5	1,063
S	630	6	M14x1,5	8074S06 00	8274S06 00	8374S06 00	ZS14/2-29/S6V-DM	14	17	31	16	27	4x1,5	0,097
		8	M16x1,5	8074S08 00	8274S08 00	8374S08 00	ZS14/2-29/S8V-DM	17	19	32	17	27,5	6x1,5	0,118
		10	M18x1,5	8074S10 00	8274S10 00	8374S10 00	ZS14/2-29/S10V-DM	19	22	34	17,5	30	7,5x1,5	0,157
		12	M20x1,5	8074S12 00	8274S12 00	8374S12 00	ZS14/2-29/S12V-DM	22	24	38	21,5	31	9x1,5	0,214
		14	M22x1,5	8074S14 00	8274S14 00	8374S14 00	ZS14/2-29/S14V-DM	19	27	40	22	35	10x2	0,280
	400	16	M24x1,5	8074S16 00	8274S16 00	8374S16 00	ZS14/2-29/S16V-DM	24	30	43	24,5	36,5	12x2	0,367
		20	M30x2	8074S20 00	8274S20 00	8374S20 00	ZS14/2-29/S20V-DM	27	36	48	26,5	44,5	16,3x2,4	0,601
		25	M36x2	8074S25 00	8274S25 00	8374S25 00	ZS14/2-29/S25V-DM	36	46	54	30	50	20,3x2,4	1,028
		30	M42x2	8074S30 00	8274S30 00	8374S30 00	ZS14/2-29/S30V-DM	41	50	62	35,5	55	25,3x2,4	1,338
		315	38	M52x2	8074S38 00	8274S38 00	8374S38 00	ZS14/2-29/S38V-DM	50	60	72	41	63	33,3x2,4

* Models ØD 6 to 10mm are manufactured from profile steel
Models ØD > 10mm are manufactured from forged steel

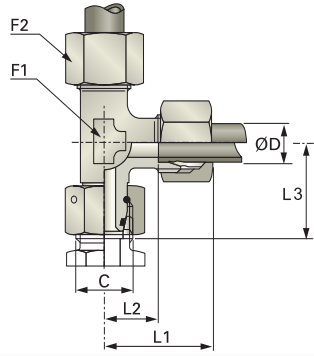
Discover it on legris.com

- A dynamic catalogue of the complete range - to **consult** and, through which, to request a **quotation**.
- A technical guide with **animated presentations** of product ranges.
- More than 3000 CAD drawings available.



Standpipe run tees (DKO)

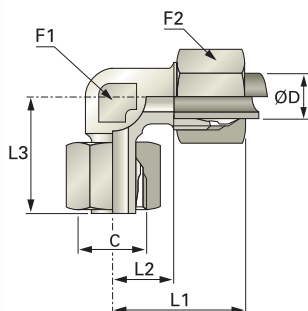
24° sealing cone and O-ring



	PN	ØD	C	Body only	Double-bite ring	DiNova ring	Bell code	F1*	F2	L1	L2	L3	O-ring	kg
L	400	6	M12x1,5	8073L06 00	8273L06 00	8373L06 00	ZS14/3-29/L6V-DM	12	14	27	12	26	4x1,5	0,065
		8	M14x1,5	8073L08 00	8273L08 00	8373L08 00	ZS14/3-29/L8V-DM	14	17	29	14	27,5	6x1,5	0,081
		10	M16x1,5	8073L10 00	8273L10 00	8373L10 00	ZS14/3-29/L10V-DM	17	19	30	15	29	7,5x1,5	0,100
		12	M18x1,5	8073L12 00	8273L12 00	8373L12 00	ZS14/3-29/L12V-DM	19	22	32	17	29,5	9x1,5	0,141
		15	M22x1,5	8073L15 00	8273L15 00	8373L15 00	ZS14/3-29/L15V-DM	19	27	36	21	32,5	12x2	0,230
	315	18	M26x1,5	8073L18 00	8273L18 00	8373L18 00	ZS14/3-29/L18V-DM	24	32	40	23,5	35,5	15x2	0,317
		22	M30x2	8073L22 00	8273L22 00	8373L22 00	ZS14/3-29/L22V-DM	27	36	44	27,5	38,5	20x2	0,433
		28	M36x2	8073L28 00	8273L28 00	8373L28 00	ZS14/3-29/L28V-DM	36	41	47	30,5	41,5	26x2	0,561
		35	M45x2	8073L35 00	8273L35 00	8373L35 00	ZS14/3-29/L35V-DM	41	50	56	34,5	51	32x2,5	0,908
		42	M52x2	8073L42 00	8273L42 00	8373L42 00	ZS14/3-29/L42V-DM	50	60	63	40	56	38x2,5	1,340
S	630	6	M14x1,5	8073S06 00	8273S06 00	8373S06 00	ZS14/3-29/S6V-DM	14	17	31	16	27	4x1,5	0,091
		8	M16x1,5	8073S08 00	8273S08 00	8373S08 00	ZS14/3-29/S8V-DM	17	19	32	17	27,5	6x1,5	0,117
		10	M18x1,5	8073S10 00	8273S10 00	8373S10 00	ZS14/3-29/S10V-DM	19	22	34	17,5	30	7,5x1,5	0,167
		12	M20x1,5	8073S12 00	8273S12 00	8373S12 00	ZS14/3-29/S12V-DM	22	24	38	21,5	31	9x1,5	0,213
		14	M22x1,5	8073S14 00	8273S14 00	8373S14 00	ZS14/3-29/S14V-DM	19	27	40	22	35	10x2	0,279
	400	16	M24x1,5	8073S16 00	8273S16 00	8373S16 00	ZS14/3-29/S16V-DM	24	30	43	24,5	36,5	12x2	0,369
		20	M30x2	8073S20 00	8273S20 00	8373S20 00	ZS14/3-29/S20V-DM	27	36	48	26,5	44,5	16,3x2,4	0,577
		25	M36x2	8073S25 00	8273S25 00	8373S25 00	ZS14/3-29/S25V-DM	36	46	54	30	50	20,3x2,4	1,043
		30	M42x2	8073S30 00	8273S30 00	8373S30 00	ZS14/3-29/S30V-DM	41	50	62	35,5	55	25,3x2,4	1,358
		315	38	M52x2	8073S38 00	8273S38 00	8373S38 00	ZS14/3-29/S38V-DM	50	60	72	41	63	33,3x2,4

* Models ØD 6 to 10mm are manufactured from profile steel
Models ØD > 10mm are manufactured from forged steel

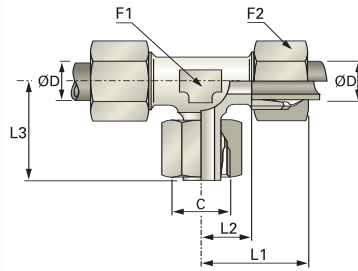
Adjustable stud standpipe elbows pre-assembled ring



	PN	ØD	C	Body only	Double-bite ring	Bell code	F1	F2	L1	L2	L3	kg
L	400	6	M12x1,5	8046L06 00	8246L06 00	ZS15/1-29/L6V	12	14	27	12	26	0,040
		8	M14x1,5	8046L08 00	8246L08 00	ZS15/1-29/L8V	12	17	29	14	27,5	0,046
		10	M16x1,5	8046L10 00	8246L10 00	ZS15/1-29/L10V	14	19	30	15	29	0,065
		12	M18x1,5	8046L12 00	8246L12 00	ZS15/1-29/L12V	17	22	32	17	29,5	0,090
		15	M22x1,5	8046L15 00	8246L15 00	ZS15/1-29/L15V	19	27	36	21	32,5	0,149
	315	18	M26x1,5	8046L18 00	8246L18 00	ZS15/1-29/L18V	24	32	40	23,5	35,5	0,215
		22	M30x2	8046L22 00	8246L22 00	ZS15/1-29/L22V	27	36	44	27,5	38,5	0,285
		28	M36x2	8046L28 00	8246L28 00	ZS15/1-29/L28V	36	41	47	30,5	41,5	0,410
	250	35	M45x2	8046L35 00	8246L35 00	ZS15/1-29/L35V	41	50	56	34,5	51	0,590
		42	M52x2	8046L42 00	8246L42 00	ZS15/1-29/L42V	50	60	63	40	56	1,045
S	630	6	M14x1,5	8046S06 00	8246S06 00	ZS15/1-29/S6V	12	17	31	16	27	0,051
		8	M16x1,5	8046S08 00	8246S08 00	ZS15/1-29/S8V	14	19	32	17	27,5	0,074
		10	M18x1,5	8046S10 00	8246S10 00	ZS15/1-29/S10V	17	22	34	17,5	30	0,100
		12	M20x1,5	8046S12 00	8246S12 00	ZS15/1-29/S12V	17	24	38	21,5	31	0,133
		14	M22x1,5	8046S14 00	8246S14 00	ZS15/1-29/S14V	19	27	40	22	35	0,165
	400	16	M24x1,5	8046S16 00	8246S16 00	ZS15/1-29/S16V	24	30	43	24,5	36,5	0,235
		20	M30x2	8046S20 00	8246S20 00	ZS15/1-29/S20V	27	36	48	26,5	44,5	0,340
		25	M36x2	8046S25 00	8246S25 00	ZS15/1-29/S25V	36	46	54	30	50	0,680
		30	M42x2	8046S30 00	8246S30 00	ZS15/1-29/S30V	41	50	62	35,5	55	0,885
		315	M52x2	8046S38 00	8246S38 00	ZS15/1-29/S38V	50	60	72	41	63	1,420

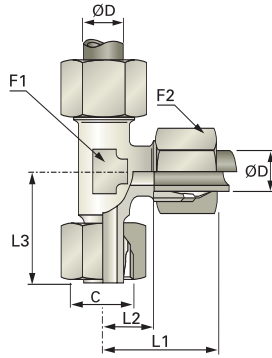
Adjustable male stud branch tees

pre-assembled ring



PN	ØD	C	Body only	Double-bite ring	Bell code	F1	F2	L1	L2	L3		
L	400	6	M12x1,5	8047L06 00	8247L06 00	ZS15/2-29/L6V	12	14	27	12	26	0,060
		8	M14x1,5	8047L08 00	8247L08 00	ZS15/2-29/L8V	12	17	29	14	27,5	0,066
		10	M16x1,5	8047L10 00	8247L10 00	ZS15/2-29/L10V	14	19	30	15	29	0,090
		12	M18x1,5	8047L12 00	8247L12 00	ZS15/2-29/L12V	17	22	32	17	29,5	0,130
		15	M22x1,5	8047L15 00	8247L15 00	ZS15/2-29/L15V	19	27	36	21	32,5	0,209
	315	18	M26x1,5	8047L18 00	8247L18 00	ZS15/2-29/L18V	24	32	40	23,5	35,5	0,320
		22	M30x2	8047L22 00	8247L22 00	ZS15/2-29/L22V	27	36	44	27,5	38,5	0,420
		28	M36x2	8047L28 00	8247L28 00	ZS15/2-29/L28V	36	41	47	30,5	41,5	0,600
		35	M45x2	8047L35 00	8247L35 00	ZS15/2-29/L35V	41	50	56	34,5	51	0,865
		42	M52x2	8047L42 00	8247L42 00	ZS15/2-29/L42V	50	60	63	40	56	1,095
S	630	6	M14x1,5	8047S06 00	8247S06 00	ZS15/2-29/S6V	12	17	31	16	27	0,086
		8	M16x1,5	8047S08 00	8247S08 00	ZS15/2-29/S8V	14	19	32	17	27,5	0,119
		10	M18x1,5	8047S10 00	8247S10 00	ZS15/2-29/S10V	17	22	34	17,5	30	0,140
		12	M20x1,5	8047S12 00	8247S12 00	ZS15/2-29/S12V	17	24	38	21,5	31	0,198
		14	M22x1,5	8047S14 00	8247S14 00	ZS15/2-29/S14V	19	27	40	22	35	0,270
	400	16	M24x1,5	8047S16 00	8247S16 00	ZS15/2-29/S16V	24	30	43	24,5	36,5	0,356
		20	M30x2	8047S20 00	8247S20 00	ZS15/2-29/S20V	27	36	48	26,5	44,5	0,540
		25	M36x2	8047S25 00	8247S25 00	ZS15/2-29/S25V	36	46	54	30	50	1,020
		30	M42x2	8047S30 00	8247S30 00	ZS15/2-29/S30V	41	50	62	35,5	55	1,329
		315	M52x2	8047S38 00	8247S38 00	ZS15/2-29/S38V	50	60	72	41	63	2,100

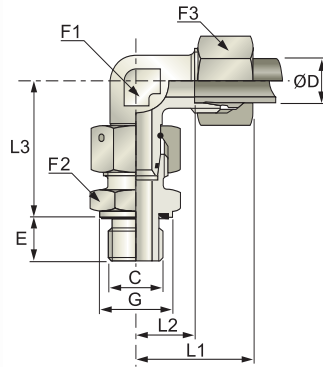
Standpipe run tees pre-assembled ring



	PN	ØD	C	Body		Bell code	F1	F2	L1	L2	L3	kg
				only	Double-bite ring							
L	400	6	M12x1,5	8048L06 00	8248L06 00	ZS15/3-29/L6V	12	14	27	12	26	0,060
		8	M14x1,5	8048L08 00	8248L08 00	ZS15/3-29/L8V	12	17	29	14	27,5	0,071
		10	M16x1,5	8048L10 00	8248L10 00	ZS15/3-29/L10V	14	19	30	15	29	0,095
		12	M18x1,5	8048L12 00	8248L12 00	ZS15/3-29/L12V	17	22	32	17	29,5	0,125
		15	M22x1,5	8048L15 00	8248L15 00	ZS15/3-29/L15V	19	27	36	21	32,5	0,199
	315	18	M26x1,5	8048L18 00	8248L18 00	ZS15/3-29/L18V	24	32	40	23,5	35,5	0,300
		22	M30x2	8048L22 00	8248L22 00	ZS15/3-29/L22V	27	36	44	27,5	38,5	0,400
		28	M36x2	8048L28 00	8248L28 00	ZS15/3-29/L28V	36	41	47	30,5	41,5	0,545
		35	M45x2	8048L35 00	8248L35 00	ZS15/3-29/L35V	41	50	56	34,5	51	0,720
		42	M52x2	8048L42 00	8248L42 00	ZS15/3-29/L42V	50	60	63	40	56	1,080
S	630	6	M14x1,5	8048S06 00	8248S06 00	ZS15/3-29/S6V	12	17	31	16	27	0,076
		8	M16x1,5	8048S08 00	8248S08 00	ZS15/3-29/S8V	14	19	32	17	27,5	0,109
		10	M18x1,5	8048S10 00	8248S10 00	ZS15/3-29/S10V	17	22	34	17,5	30	0,160
		12	M20x1,5	8048S12 00	8248S12 00	ZS15/3-29/S12V	17	24	38	21,5	31	0,193
		14	M22x1,5	8048S14 00	8248S14 00	ZS15/3-29/S14V	19	27	40	22	35	0,250
	400	16	M24x1,5	8048S16 00	8248S16 00	ZS15/3-29/S16V	24	30	43	24,5	36,5	0,345
		20	M30x2	8048S20 00	8248S20 00	ZS15/3-29/S20V	27	36	48	26,5	44,5	0,505
		25	M36x2	8048S25 00	8248S25 00	ZS15/3-29/S25V	36	46	54	30	50	0,970
		30	M42x2	8048S30 00	8248S30 00	ZS15/3-29/S30V	41	50	62	35,5	55	1,245
		315	M52x2	8048S38 00	8248S38 00	ZS15/3-29/S38V	50	60	72	41	63	1,915

Adjustable stud standpipe elbows (DKO)

BSP parallel
elastomer seal
ISO 1179-2

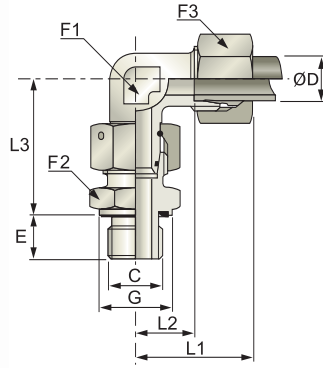


	PN	ØD	C	Body only	Double-bite ring	DiNova ring	Bell code	E	F1*	F2	F3	G	L1	L2	L3	kg
L	400	6	G1/8	8072L06 10	8272L06 10	8372L06 10	ZS14/1-29/L6RD-DM	8	12	14	14	13,9	27	12	34,5	0,060
		8	G1/4	8072L08 13	8272L08 13	8372L08 13	ZS14/1-29/L8RD-DM	12	14	19	17	18,9	29	14	37,5	0,080
		10	G1/4	8072L10 13	8272L10 13	8372L10 13	ZS14/1-29/L10RD-DM	12	17	19	19	18,9	30	15	40	0,090
		12	G3/8	8072L12 17	8272L12 17	8372L12 17	ZS14/1-29/L12RD-DM	12	19	22	22	21,9	32	17	42	0,130
		15	G1/2	8072L15 21	8272L15 21	8372L15 21	ZS14/1-29/L15RD-DM	14	19	27	27	26,9	36	21	46,5	0,230
	315	18	G1/2	8072L18 21	8272L18 21	8372L18 21	ZS14/1-29/L18RD-DM	14	24	27	32	26,9	40	23,5	50	0,290
		22	G3/4	8072L22 27	8272L22 27	8372L22 27	ZS14/1-29/L22RD-DM	16	27	32	36	31,9	44	27,5	55	0,410
		28	G1	8072L28 34	8272L28 34	8372L28 34	ZS14/1-29/L28RD-DM	18	36	41	41	39,9	47	30,5	59	0,580
	250	35	G1"1/4	8072L35 42	8272L35 42	8372L35 42	ZS14/1-29/L35RD-DM	20	41	50	50	49,9	56	34,5	68,5	0,890
		42	G1"1/2	8072L42 49	8272L42 49	8372L42 49	ZS14/1-29/L42RD-DM	22	50	55	60	54,9	63	40	75	1,230
S	630	6	G1/4	8072S06 13	8272S06 13	8372S06 13	ZS14/1-29/S6RD-DM	12	14	19	17	18,9	31	16	40	0,095
		8	G1/4	8072S08 13	8272S08 13	8372S08 13	ZS14/1-29/S8RD-DM	12	17	19	19	18,9	32	17	42,5	0,112
		10	G3/8	8072S10 17	8272S10 17	8372S10 17	ZS14/1-29/S10RD-DM	12	19	22	22	21,9	34	17,5	45	0,166
	400	12	G3/8	8072S12 17	8272S12 17	8372S12 17	ZS14/1-29/S12RD-DM	12	22	22	24	21,9	38	21,5	48	0,197
		14	G1/2	8072S14 21	8272S14 21	8372S14 21	ZS14/1-29/S14RD-DM	14	19	27	27	26,9	40	22	54	0,290
		16	G1/2	8072S16 21	8272S16 21	8372S16 21	ZS14/1-29/S16RD-DM	14	24	27	30	26,9	43	24,5	55	0,338
		20	G3/4	8072S20 27	8272S20 27	8372S20 27	ZS14/1-29/S20RD-DM	16	27	32	36	31,9	48	26,5	65	0,545
		25	G1	8072S25 34	8272S25 34	8372S25 34	ZS14/1-29/S25RD-DM	18	36	41	46	39,9	54	30	73	0,980
		30	G1"1/4	8072S30 42	8272S30 42	8372S30 42	ZS14/1-29/S30RD-DM	20	41	50	50	49,9	62	35,5	78,5	1,397
		315	38	G1"1/2	8072S38 49	8272S38 49	8372S38 49	ZS14/1-29/S38RD-DM	22	50	55	60	54,9	72	41	89

* Models ØD 6 to 10mm are manufactured from profile steel
Models ØD > 10mm are manufactured from forged steel

Adjustable stud standpipe elbows (DKO)

metric parallel
elastomer seal
ISO 9974-2

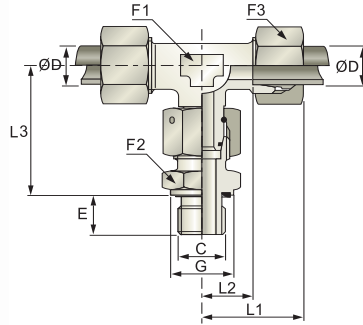


	PN	ØD	C	Body only	Double-bite ring	DiNova ring	Bell code	E	F1*	F2	F3	G	L1	L2	L3	
L	400	6	M10x1	8072L06 60	8272L06 60	8372L06 60	ZS14/1-29/L6MD-DM	8	12	14	14	13,9	27	12	34,5	0,060
		8	M12x1,5	8072L08 67	8272L08 67	8372L08 67	ZS14/1-29/L8MD-DM	12	14	17	17	16,9	29	14	37,5	0,080
		10	M14x1,5	8072L10 71	8272L10 71	8372L10 71	ZS14/1-29/L10MD-DM	12	17	19	19	18,9	30	15	40	0,090
		12	M16x1,5	8072L12 75	8272L12 75	8372L12 75	ZS14/1-29/L12MD-DM	12	19	22	22	21,9	32	17	42	0,130
		15	M18x1,5	8072L15 78	8272L15 78	8372L15 78	ZS14/1-29/L15MD-DM	12	19	24	27	23,9	36	21	46	0,230
	315	18	M22x1,5	8072L18 82	8272L18 82	8372L18 82	ZS14/1-29/L18MD-DM	14	24	27	32	26,9	40	23,5	50	0,290
		22	M26x1,5	8072L22 89	8272L22 89	8372L22 89	ZS14/1-29/L22MD-DM	16	27	32	36	31,9	44	27,5	55	0,410
		28	M33x2	8072L28 91	8272L28 91	8372L28 91	ZS14/1-29/L28MD-DM	18	36	41	41	39,9	47	30,5	59	0,580
		35	M42x2	8072L35 96	8272L35 96	8372L35 96	ZS14/1-29/L35MD-DM	20	41	50	50	49,9	56	34,5	68,5	0,890
		42	M48x2	8072L42 98	8272L42 98	8372L42 98	ZS14/1-29/L42MD-DM	22	50	55	60	54,9	63	40	75	1,230
S	630	6	M12x1,5	8072S06 67	8272S06 67	8372S06 67	ZS14/1-29/S6MD-DM	12	14	17	17	16,9	31	16	40	0,095
		8	M14x1,5	8072S08 71	8272S08 71	8372S08 71	ZS14/1-29/S8MD-DM	12	17	19	19	18,9	32	17	42,5	0,112
		10	M16x1,5	8072S10 75	8272S10 75	8372S10 75	ZS14/1-29/S10MD-DM	12	19	22	22	21,9	34	17,5	45	0,166
		12	M18x1,5	8072S12 78	8272S12 78	8372S12 78	ZS14/1-29/S12MD-DM	12	22	24	24	23,9	38	21,5	48	0,197
		14	M20x1,5	8072S14 80	8272S14 80	8372S14 80	ZS14/1-29/S14MD-DM	14	19	27	27	25,9	40	22	54	0,290
	400	16	M22x1,5	8072S16 82	8272S16 82	8372S16 82	ZS14/1-29/S16MD-DM	14	24	27	30	26,9	43	24,5	55	0,338
		20	M27x2	8072S20 86	8272S20 86	8372S20 86	ZS14/1-29/S20MD-DM	16	27	32	36	31,9	48	26,5	65	0,545
		25	M33x2	8072S25 91	8272S25 91	8372S25 91	ZS14/1-29/S25MD-DM	18	36	41	46	39,9	54	30	73	0,980
		30	M42x2	8072S30 96	8272S30 96	8372S30 96	ZS14/1-29/S30MD-DM	20	41	50	50	49,9	62	35,5	78,5	1,397
		315	38	M48x2	8072S38 98	8272S38 98	8372S38 98	ZS14/1-29/S38MD-DM	22	50	55	60	54,9	72	41	89

* Models ØD 6 to 10mm are manufactured from profile steel
Models ØD > 10mm are manufactured from forged steel

Adjustable male stud branch tees (DKO)

BSP parallel
elastomer seal
ISO 1179-2

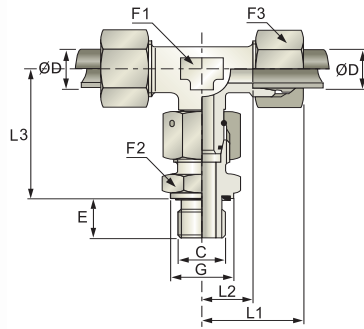


	PN	ØD	C	Body only	Double-bite ring	DiNova ring	Bell code	E	F1*	F2	F3	G	L1	L2	L3	kg
L	400	6	G1/8	8074L06 10	8274L06 10	8374L06 10	ZS14/2-29/L6RD-DM	8	12	14	14	13,9	27	12	34,5	0,070
		8	G1/4	8074L08 13	8274L08 13	8374L08 13	ZS14/2-29/L8RD-DM	12	14	19	17	18,9	29	14	37,5	0,110
		10	G1/4	8074L10 13	8274L10 13	8374L10 13	ZS14/2-29/L10RD-DM	12	17	19	19	18,9	30	15	40	0,130
		12	G3/8	8074L12 17	8274L12 17	8374L12 17	ZS14/2-29/L12RD-DM	12	19	22	22	21,9	32	17	42	0,170
		15	G1/2	8074L15 21	8274L15 21	8374L15 21	ZS14/2-29/L15RD-DM	12	19	27	27	26,9	36	21	46,5	0,290
	315	18	G1/2	8074L18 21	8274L18 21	8374L18 21	ZS14/2-29/L18RD-DM	14	24	27	32	26,9	40	23,5	50	0,400
		22	G3/4	8074L22 27	8274L22 27	8374L22 27	ZS14/2-29/L22RD-DM	16	27	32	36	31,9	44	27,5	55	0,530
		28	G1	8074L28 34	8274L28 34	8374L28 34	ZS14/2-29/L28RD-DM	18	36	41	41	39,9	47	30,5	59	0,770
	250	35	G1"1/4	8074L35 42	8274L35 42	8374L35 42	ZS14/2-29/L35RD-DM	20	41	50	50	49,9	56	34,5	68,5	1,170
		42	G1"1/2	8074L42 49	8274L42 49	8374L42 49	ZS14/2-29/L42RD-DM	22	50	55	60	54,9	63	40	75	1,280
S	630	6	G1/4	8074S06 13	8274S06 13	8374S06 13	ZS14/2-29/S6RD-DM	12	14	19	17	18,9	31	16	40	0,130
		8	G1/4	8074S08 13	8274S08 13	8374S08 13	ZS14/2-29/S8RD-DM	12	17	19	19	18,9	32	17	42,5	0,150
		10	G3/8	8074S10 17	8274S10 17	8374S10 17	ZS14/2-29/S10RD-DM	12	19	22	22	21,9	34	17,5	45	0,210
		12	G3/8	8074S12 17	8274S12 17	8374S12 17	ZS14/2-29/S12RD-DM	12	22	22	24	21,9	38	21,5	48	0,290
		14	G1/2	8074S14 21	8274S14 21	8374S14 21	ZS14/2-29/S14RD-DM	14	19	27	27	26,9	40	22	54	0,370
	400	16	G1/2	8074S16 21	8274S16 21	8374S16 21	ZS14/2-29/S16RD-DM	14	24	27	30	26,9	43	24,5	55	0,450
		20	G3/4	8074S20 27	8274S20 27	8374S20 27	ZS14/2-29/S20RD-DM	16	27	32	36	31,9	48	26,5	65	0,750
		25	G1	8074S25 34	8274S25 34	8374S25 34	ZS14/2-29/S25RD-DM	18	36	41	46	39,9	54	30	73	1,280
		30	G1"1/4	8074S30 42	8274S30 42	8374S30 42	ZS14/2-29/S30RD-DM	20	41	50	50	49,9	62	35,5	78,5	1,740
		315	38	G1"1/2	8074S38 49	8274S38 49	8374S38 49	ZS14/2-29/S38RD-DM	22	50	55	60	54,9	72	41	89

* Models ØD 6 to 10mm are manufactured from profile steel
Models ØD > 10mm are manufactured from forged steel

Adjustable male stud branch tees (DKO)

metric parallel
elastomer seal
ISO 9974-2

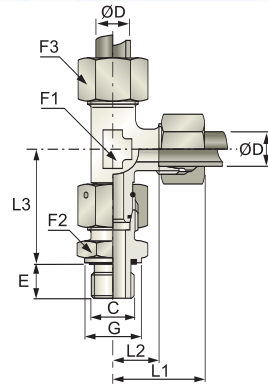


	PN	ØD	C	Body only	Double-bite ring	DiNova ring	Bell code	E	F1*	F2	F3	G	L1	L2	L3	
L	400	6	M10x1	8074L06 60	8274L06 60	8374L06 60	ZS14/2-29/L6MD-DM	8	12	14	14	13,9	27	12	34,5	0,070
		8	M12x1,5	8074L08 67	8274L08 67	8374L08 67	ZS14/2-29/L8MD-DM	12	14	17	17	16,9	29	14	37,5	0,110
		10	M14x1,5	8074L10 71	8274L10 71	8374L10 71	ZS14/2-29/L10MD-DM	12	17	19	19	18,9	30	15	40	0,130
		12	M16x1,5	8074L12 75	8274L12 75	8374L12 75	ZS14/2-29/L12MD-DM	12	19	22	22	21,9	32	17	42	0,170
		15	M18x1,5	8074L15 78	8274L15 78	8374L15 78	ZS14/2-29/L15MD-DM	12	19	24	27	23,9	36	21	46	0,290
	315	18	M22x1,5	8074L18 82	8274L18 82	8374L18 82	ZS14/2-29/L18MD-DM	14	24	27	32	26,9	40	23,5	50	0,400
		22	M26x1,5	8074L22 89	8274L22 89	8374L22 89	ZS14/2-29/L22MD-DM	16	27	32	36	31,9	44	27,5	55	0,530
		28	M33x2	8074L28 91	8274L28 91	8374L28 91	ZS14/2-29/L28MD-DM	18	36	41	41	39,9	47	30,5	59	0,770
		35	M42x2	8074L35 96	8274L35 96	8374L35 96	ZS14/2-29/L35MD-DM	20	41	50	50	49,9	56	34,5	68,5	1,117
		42	M48x2	8074L42 98	8274L42 98	8374L42 98	ZS14/2-29/L42MD-DM	22	50	55	60	54,9	63	40	75	1,128
S	630	6	M12x1,5	8074S06 67	8274S06 67	8374S06 67	ZS14/2-29/S6MD-DM	12	14	17	17	16,9	31	16	40	0,130
		8	M14x1,5	8074S08 71	8274S08 71	8374S08 71	ZS14/2-29/S8MD-DM	12	17	19	19	18,9	32	17	42,5	0,150
		10	M16x1,5	8074S10 75	8274S10 75	8374S10 75	ZS14/2-29/S10MD-DM	12	19	22	22	21,9	34	17,5	45	0,210
		12	M18x1,5	8074S12 78	8274S12 78	8374S12 78	ZS14/2-29/S12MD-DM	12	22	24	24	23,9	38	21,5	48	0,290
		14	M20x1,5	8074S14 80	8274S14 80	8374S14 80	ZS14/2-29/S14MD-DM	14	19	27	27	25,9	40	22	54	0,370
	400	16	M22x1,5	8074S16 82	8274S16 82	8374S16 82	ZS14/2-29/S16MD-DM	14	24	27	30	26,9	43	24,5	55	0,450
		20	M27x2	8074S20 86	8274S20 86	8374S20 86	ZS14/2-29/S20MD-DM	16	27	32	36	31,9	48	26,5	65	0,750
		25	M33x2	8074S25 91	8274S25 91	8374S25 91	ZS14/2-29/S25MD-DM	18	36	41	46	39,9	54	30	73	1,280
		30	M42x2	8074S30 96	8274S30 96	8374S30 96	ZS14/2-29/S30MD-DM	20	41	50	50	49,9	62	35,5	78,5	1,174
		315	38	M48x2	8074S38 98	8274S38 98	8374S38 98	ZS14/2-29/S38MD-DM	22	50	55	60	54,9	72	41	89

* Models ØD 6 to 10mm are manufactured from profile steel
Models ØD > 10mm are manufactured from forged steel

Standpipe run tees (DKO)

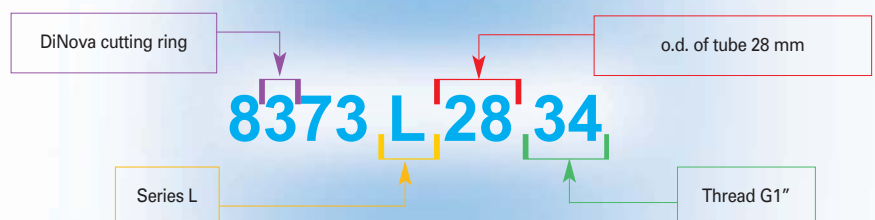
BSP parallel
elastomer seal
ISO 1179-2



	PN	ØD	C	Body only	Double-bite ring	DiNova ring	Bell code	G	F1*	F2	F3	G	L1	L2	L3	kg
L	400	6	G1/8	8073L06 10	8273L06 10	8373L06 10	ZS14/3-29/L6RD-DM	8	12	14	14	13,9	27	12	34,5	0,070
		8	G1/4	8073L08 13	8273L08 13	8373L08 13	ZS14/3-29/L8RD-DM	12	14	19	17	18,9	29	14	37,5	0,100
		10	G1/4	8073L10 13	8273L10 13	8373L10 13	ZS14/3-29/L10RD-DM	12	17	17	19	18,9	30	15	40	0,130
		12	G3/8	8073L12 17	8273L12 17	8373L12 17	ZS14/3-29/L12RD-DM	12	19	22	22	21,9	32	17	42	0,180
		15	G1/2	8073L15 21	8273L15 21	8373L15 21	ZS14/3-29/L15RD-DM	14	19	27	27	26,9	36	21	46,5	0,290
	315	18	G1/2	8073L18 21	8273L18 21	8373L18 21	ZS14/3-29/L18RD-DM	14	24	27	32	26,9	40	23,5	50	0,380
		22	G3/4	8073L22 27	8273L22 27	8373L22 27	ZS14/3-29/L22RD-DM	16	27	32	36	31,9	44	27,5	55	0,522
		28	G1	8073L28 34	8273L28 34	8373L28 34	ZS14/3-29/L28RD-DM	18	36	41	41	39,9	47	30,5	59	0,720
	250	35	G1"1/4	8073L35 42	8273L35 42	8373L35 42	ZS14/3-29/L35RD-DM	20	41	50	50	49,9	56	34,5	68,5	1,116
		42	G1"1/2	8073L42 49	8273L42 49	8373L42 49	ZS14/3-29/L42RD-DM	22	50	55	60	54,9	63	40	75	1,150
S	630	6	G1/4	8073S06 13	8273S06 13	8373S06 13	ZS14/3-29/S6RD-DM	12	14	19	17	18,9	31	16	40	0,120
		8	G1/4	8073S08 13	8273S08 13	8373S08 13	ZS14/3-29/S8RD-DM	12	17	19	19	18,9	32	17	42,5	0,150
		10	G3/8	8073S10 17	8273S10 17	8373S10 17	ZS14/3-29/S10RD-DM	12	19	22	22	21,9	34	17,5	45	0,220
		12	G3/8	8073S12 17	8273S12 17	8373S12 17	ZS14/3-29/S12RD-DM	12	22	22	24	21,9	38	21,5	48	0,280
		14	G1/2	8073S14 21	8273S14 21	8373S14 21	ZS14/3-29/S14RD-DM	14	19	27	27	26,9	40	22	54	0,370
	400	16	G1/2	8073S16 21	8273S16 21	8373S16 21	ZS14/3-29/S16RD-DM	14	24	27	30	26,9	43	24,5	55	0,450
		20	G3/4	8073S20 27	8273S20 27	8373S20 27	ZS14/3-29/S20RD-DM	16	27	32	36	31,9	48	26,5	65	0,720
		25	G1	8073S25 34	8273S25 34	8373S25 34	ZS14/3-29/S25RD-DM	18	36	41	46	39,9	54	30	73	1,300
		30	G1"1/4	8073S30 42	8273S30 42	8373S30 42	ZS14/3-29/S30RD-DM	20	41	50	50	49,9	62	35,5	78,5	1,765
		315	38	G1"1/2	8073S38 49	8273S38 49	8373S38 49	ZS14/3-29/S38RD-DM	22	50	55	60	54,9	72	41	89

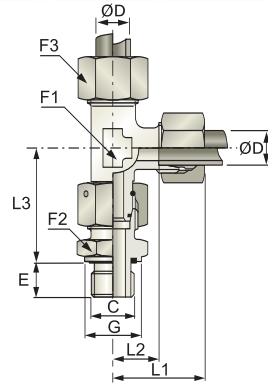
* Models ØD 6 to 10mm are manufactured from profile steel
Models ØD > 10mm are manufactured from forged steel

Identification of Legris part numbers Example of product codes



Adjustable male stud run tees (DKO)

metric parallel
elastomer seal
ISO 9974-2

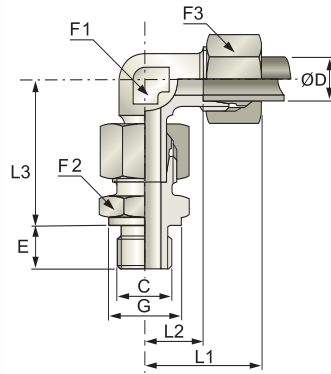


	PN	ØD	C	Body only	Double-bite ring	DiNova ring	Bell code	E	F1*	F2	F3	G	L1	L2	L3	
L	400	6	M10x1	8073L06 60	8273L06 60	8373L06 60	ZS14/3-29/L6MD-DM	8	12	14	14	13,9	27	12	34,5	0,075
		8	M12x1,5	8073L08 67	8273L08 67	8373L08 67	ZS14/3-29/L8MD-DM	12	14	17	17	16,9	29	14	37,5	0,109
		10	M14x1,5	8073L10 71	8273L10 71	8373L10 71	ZS14/3-29/L10MD-DM	12	17	19	19	18,9	30	15	40	0,127
		12	M16x1,5	8073L12 75	8273L12 75	8373L12 75	ZS14/3-29/L12MD-DM	12	19	22	22	21,9	32	17	42	0,180
		15	M18x1,5	8073L15 78	8273L15 78	8373L15 78	ZS14/3-29/L15MD-DM	12	19	24	27	23,9	36	21	46	0,290
	315	18	M22x1,5	8073L18 82	8273L18 82	8373L18 82	ZS14/3-29/L18MD-DM	14	24	27	32	26,9	40	23,5	50	0,382
		22	M26x1,5	8073L22 89	8273L22 89	8373L22 89	ZS14/3-29/L22MD-DM	16	27	32	36	31,9	44	27,5	55	0,524
		28	M33x2	8073L28 91	8273L28 91	8373L28 91	ZS14/3-29/L28MD-DM	18	36	41	41	39,9	47	30,5	59	0,716
		35	M42x2	8073L35 96	8273L35 96	8373L35 96	ZS14/3-29/L35MD-DM	20	41	50	50	49,9	56	34,5	68,5	1,160
		42	M48x2	8073L42 98	8273L42 98	8373L42 98	ZS14/3-29/L42MD-DM	22	50	55	60	54,9	63	40	75	1,559
S	630	6	M12x1,5	8073S06 67	8273S06 67	8373S06 67	ZS14/3-29/S6MD-DM	12	14	17	17	16,9	31	16	40	0,122
		8	M14x1,5	8073S08 71	8273S08 71	8373S08 71	ZS14/3-29/S8MD-DM	12	17	19	19	18,9	32	17	42,5	0,151
		10	M16x1,5	8073S10 75	8273S10 75	8373S10 75	ZS14/3-29/S10MD-DM	12	19	22	22	21,9	34	17,5	45	0,216
		12	M18x1,5	8073S12 78	8273S12 78	8373S12 78	ZS14/3-29/S12MD-DM	12	22	24	24	23,9	38	21,5	48	0,275
		14	M20x1,5	8073S14 80	8273S14 80	8373S14 80	ZS14/3-29/S14MD-DM	14	19	27	27	25,9	40	22	54	0,374
	400	16	M22x1,5	8073S16 82	8273S16 82	8373S16 82	ZS14/3-29/S16MD-DM	14	24	27	30	26,9	43	24,5	55	0,455
		20	M27x2	8073S20 86	8273S20 86	8373S20 86	ZS14/3-29/S20MD-DM	16	27	32	36	31,9	48	26,5	65	0,722
		25	M33x2	8073S25 91	8273S25 91	8373S25 91	ZS14/3-29/S25MD-DM	18	36	41	46	39,9	54	30	73	1,300
		30	M42x2	8073S30 96	8273S30 96	8373S30 96	ZS14/3-29/S30MD-DM	20	41	50	50	49,9	62	35,5	78,5	1,765
		315	38	M48x2	8073S38 98	8273S38 98	8373S38 98	ZS14/3-29/S38MD-DM	22	50	55	60	54,9	72	41	89

* Models ØD 6 to 10mm are manufactured from profile steel
Models ØD > 10mm are manufactured from forged steel

Adjustable stud and standpipe elbows

BSP parallel sealing bite
ISO 1179-4

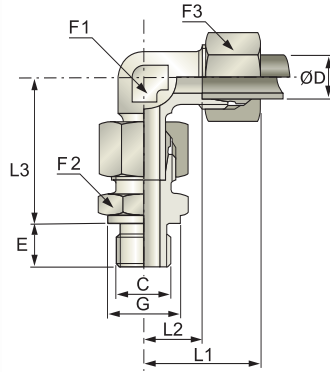


	PN	ØD	C	Body		Bell code	E	F1	F2	F3	G	L1	L2	L3	kg	
				only	Double-bite ring											
L	315	6	G1/8	8046L06 10	8246L06 10	ZS15/1-29/L6RB	8	12	14	14	14	27	12	34,5	0,050	
		8	G1/4	8046L08 13	8246L08 13	ZS15/1-29/L8RB	12	12	19	17	18	29	14	37,5	0,070	
		10	G1/4	8046L10 13	8246L10 13	ZS15/1-29/L10RB	12	14	19	19	18	30	15	40	0,090	
		12	G3/8	8046L12 17	8246L12 17	ZS15/1-29/L12RB	12	17	22	22	22	32	17	42	0,120	
		15	G1/2	8046L15 21	8246L15 21	ZS15/1-29/L15RB	14	19	27	27	26	36	21	46	0,220	
		18	G1/2	8046L18 21	8246L18 21	ZS15/1-29/L18RB	14	24	27	32	26	40	23,5	50	0,280	
	250	22	G3/4	8046L22 27	8246L22 27	ZS15/1-29/L22RB	16	27	32	36	32	44	27,5	55	0,370	
		28	G1	8046L28 34	8246L28 34	ZS15/1-29/L28RB	18	36	41	41	39	47	30,5	59	0,560	
		35	G1"1/4	8046L35 42	8246L35 42	ZS15/1-29/L35RB	20	41	50	50	49	56	34,5	68,5	0,850	
		42	G1"1/2	8046L42 49	8246L42 49	ZS15/1-29/L42RB	22	50	55	60	55	63	40	75	1,270	
S	PB630*	6	G1/4	8046S06 13	8246S06 13	ZS15/1-29/S6RB	12	12	19	17	18	31	16	40	0,080	
		8	G1/4	8046S08 13	8246S08 13	ZS15/1-29/S8RB	12	14	19	19	18	32	17	42,5	0,110	
		10	G3/8	8046S10 17	8246S10 17	ZS15/1-29/S10RB	12	17	22	22	22	34	17,5	45	0,150	
		12	G3/8	8046S12 17	8246S12 17	ZS15/1-29/S12RB	12	17	22	24	22	38	21,5	48	0,190	
		14	G1/2	8046S14 21	8246S14 21	ZS15/1-29/S14RB	14	19	27	27	26	40	22	54	0,260	
		16	G1/2	8046S16 21	8246S16 21	ZS15/1-29/S16RB	14	24	27	30	26	43	24,5	55	0,330	
	400	20	G3/4	8046S20 27	8246S20 27	ZS15/1-29/S20RB	16	27	32	36	32	48	26,5	65	0,490	
		25	G1	8046S25 34	8246S25 34	ZS15/1-29/S25RB	18	36	41	46	39	54	30	73	0,940	
		250	30	G1"1/4	8046S30 42	8246S30 42	ZS15/1-29/S30RB	20	41	50	50	49	62	35,5	78,5	1,300
			38	G1"1/2	8046S38 49	8246S38 49	ZS15/1-29/S38RB	22	50	55	60	55	72	41	89	1,980

* Safety factor 3.

Adjustable stud and standpipe elbows

metric parallel
sealing bite
ISO 9974-3

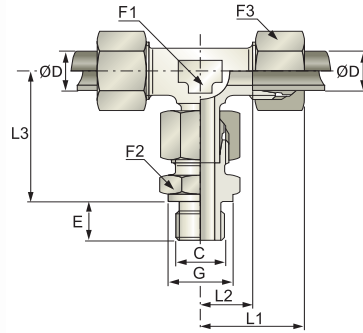


	PN	ØD	C			Bell code	E	F1	F2	F3	G	L1	L2	L3		
				Body only	Double-bite ring											
L	315	6	M10x1	8046L06 60	8246L06 60	ZS15/1-29/L6MB	8	12	14	14	14	27	12	34,5	0,050	
		8	M12x1,5	8046L08 67	8246L08 67	ZS15/1-29/L8MB	12	12	17	17	17	29	14	37,5	0,070	
		10	M14x1,5	8046L10 71	8246L10 71	ZS15/1-29/L10MB	12	14	19	19	19	30	15	40	0,090	
		12	M16x1,5	8046L12 75	8246L12 75	ZS15/1-29/L12MB	12	17	22	22	21	32	17	42	0,120	
		15	M18x1,5	8046L15 78	8246L15 78	ZS15/1-29/L15MB	12	19	24	27	23	36	21	46	0,220	
		18	M22x1,5	8046L18 82	8246L18 82	ZS15/1-29/L18MB	14	24	27	32	27	40	23,5	50	0,280	
	250	22	M26x1,5	8046L22 89	8246L22 89	ZS15/1-29/L22MB	16	27	32	36	31	44	27,5	55	0,370	
		28	M32x2	8046L28 91	8246L28 91	ZS15/1-29/L28MB	18	36	41	41	39	47	30,5	59	0,560	
		35	M42x2	8046L35 96	8246L35 96	ZS15/1-29/L35MB	20	41	50	50	49	56	34,5	68,5	0,850	
		42	M48x2	8046L42 98	8246L42 98	ZS15/1-29/L42MB	22	50	55	60	55	63	40	75	1,270	
S	PB630*	6	M12x1,5	8046S06 67	8246S06 67	ZS15/1-29/S6MB	12	12	17	17	17	31	16	40	0,080	
		8	M14x1,5	8046S08 71	8246S08 71	ZS15/1-29/S8MB	12	14	19	19	19	32	17	42,5	0,110	
		10	M16x1,5	8046S10 75	8246S10 75	ZS15/1-29/S10MB	12	17	22	22	21	34	17,5	45	0,150	
		12	M18x1,5	8046S12 78	8246S12 78	ZS15/1-29/S12MB	12	17	24	24	23	38	21,5	48	0,190	
		14	M20x1,5	8046S14 80	8246S14 80	ZS15/1-29/S14MB	14	19	27	27	25	40	22	54	0,260	
		16	M22x1,5	8046S16 82	8246S16 82	ZS15/1-29/S16MB	14	24	27	30	27	43	24,5	55	0,330	
	400	20	M27x2	8046S20 86	8246S20 86	ZS15/1-29/S20MB	16	27	32	36	32	48	26,5	65	0,490	
		25	M33x2	8046S25 91	8246S25 91	ZS15/1-29/S25MB	18	36	41	46	39	54	30	73	0,940	
		250	30	M42x2	8046S30 96	8246S30 96	ZS15/1-29/S30MB	20	41	50	50	49	62	35,5	78,5	1,300
			38	M48x2	8046S38 98	8246S38 98	ZS15/1-29/S38MB	22	50	55	60	55	72	41	89	1,980

* Safety factor 3.

Adjustable male stud branch tees

BSP parallel
sealing bite
ISO 1179-4

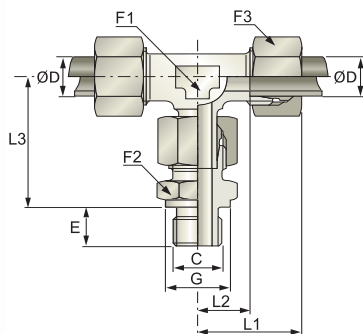


	PN	ØD	C	Body only	Double-bite ring	Bell code	E	F1	F2	F3	G	L1	L2	L3		
L	315	6	G1/8	8047L06 10	8247L06 10	ZS15/2-29/L6RB	8	12	14	14	14	27	12	34,5	0,070	
		8	G1/4	8047L08 13	8247L08 13	ZS15/2-29/L8RB	12	12	19	17	18	29	14	37,5	0,090	
		10	G1/4	8047L10 13	8247L10 13	ZS15/2-29/L10RB	12	14	19	19	18	30	15	40	0,110	
		12	G3/8	8047L12 17	8247L12 17	ZS15/2-29/L12RB	12	17	22	22	22	32	17	42	0,160	
		15	G1/2	8047L15 21	8247L15 21	ZS15/2-29/L15RB	14	19	27	27	26	36	21	46	0,280	
		18	G1/2	8047L18 21	8247L18 21	ZS15/2-29/L18RB	14	24	27	32	26	40	23,5	50	0,380	
	250	22	G3/4	8047L22 27	8247L22 27	ZS15/2-29/L22RB	16	27	32	36	32	44	27,5	55	0,510	
		28	G1	8047L28 34	8247L28 34	ZS15/2-29/L28RB	18	36	41	41	39	47	30,5	59	0,750	
		35	G1"1/4	8047L35 42	8247L35 42	ZS15/2-29/L35RB	20	41	50	50	49	56	34,5	68,5	1,120	
		42	G1"1/2	8047L42 49	8247L42 49	ZS15/2-29/L42RB	22	50	55	60	55	63	40	75	1,320	
S	PB630*	6	G1/4	8047S06 13	8247S06 13	ZS15/2-29/S6RB	12	12	19	17	18	31	16	40	0,120	
		8	G1/4	8047S08 13	8247S08 13	ZS15/2-29/S8RB	12	14	19	19	18	32	17	42,5	0,150	
		10	G3/8	8047S10 17	8247S10 17	ZS15/2-29/S10RB	12	17	22	22	22	34	17,5	45	0,190	
		12	G3/8	8047S12 17	8247S12 17	ZS15/2-29/S12RB	12	17	22	24	22	38	21,5	48	0,250	
		14	G1/2	8047S14 21	8247S14 21	ZS15/2-29/S14RB	14	19	27	27	26	40	22	54	0,360	
		16	G1/2	8047S16 21	8247S16 21	ZS15/2-29/S16RB	14	24	27	30	26	43	24,5	55	0,450	
	400	20	G3/4	8047S20 27	8247S20 27	ZS15/2-29/S20RB	16	27	32	36	32	48	26,5	65	0,690	
		25	G1	8047S25 34	8247S25 34	ZS15/2-29/S25RB	18	36	41	46	39	54	30	73	1,280	
		250	30	G1"1/4	8047S30 42	8247S30 42	ZS15/2-29/S30RB	20	41	50	50	49	62	35,5	78,5	1,720
			38	G1"1/2	8047S38 49	8247S38 49	ZS15/2-29/S38RB	22	50	55	60	55	72	41	89	2,660

* Safety factor 3.

Adjustable male stud branch tees

metric parallel
sealing bite
ISO 9974-3

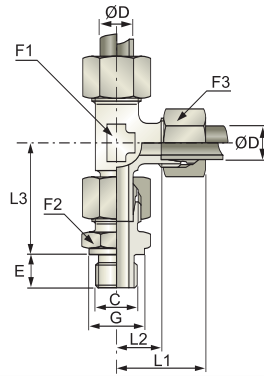


	PN	ØD	C	Body		Bell code	E	F1	F2	F3	G	L1	L2	L3	kg	
				only	Double-bite ring											
L	315	6	M10x1	8047L06 60	8247L06 60	ZS15/2-29/L6MB	8	14	12	14	14	27	12	34,5	0,070	
		8	M12x1,5	8047L08 67	8247L08 67	ZS15/2-29/L8MB	12	17	12	17	17	29	14	37,5	0,090	
		10	M14x1,5	8047L10 71	8247L10 71	ZS15/2-29/L10MB	12	19	14	19	19	30	15	40	0,120	
		12	M16x1,5	8047L12 75	8247L12 75	ZS15/2-29/L12MB	12	22	17	22	21	32	17	42	0,160	
		15	M18x1,5	8047L15 78	8247L15 78	ZS15/2-29/L15MB	12	24	19	27	23	36	21	46	0,280	
		18	M22x1,5	8047L18 82	8247L18 82	ZS15/2-29/L18MB	14	27	24	32	27	40	23,5	50	0,380	
	250	22	M26x1,5	8047L22 89	8247L22 89	ZS15/2-29/L22MB	16	32	27	36	31	44	27,5	55	0,510	
		28	M33x2	8047L28 91	8247L28 91	ZS15/2-29/L28MB	18	41	36	41	39	47	30,5	59	0,750	
		35	M42x2	8047L35 96	8247L35 96	ZS15/2-29/L35MB	20	50	41	50	49	56	34,5	68,5	1,150	
		42	M48x2	8047L42 98	8247L42 98	ZS15/2-29/L42MB	22	55	50	60	55	63	40	75	1,320	
S	PB630*	6	M12x1,5	8047S06 67	8247S06 67	ZS15/2-29/S6MB	12	17	12	17	17	31	16	40	0,120	
		8	M14x1,5	8047S08 71	8247S08 71	ZS15/2-29/S8MB	12	19	14	19	19	32	17	42,5	0,150	
		10	M16x1,5	8047S10 75	8247S10 75	ZS15/2-29/S10MB	12	22	17	22	21	34	17,5	45	0,190	
		12	M18x1,5	8047S12 78	8247S12 78	ZS15/2-29/S12MB	12	24	17	24	23	38	21,5	48	0,250	
		14	M20x1,5	8047S14 80	8247S14 80	ZS15/2-29/S14MB	14	27	19	27	25	40	22	54	0,360	
		16	M22x1,5	8047S16 82	8247S16 82	ZS15/2-29/S16MB	14	27	24	30	27	43	24,5	55	0,450	
	400	20	M27x2	8047S20 86	8247S20 86	ZS15/2-29/S20MB	16	32	27	36	32	48	26,5	65	0,690	
		25	M33x2	8047S25 91	8247S25 91	ZS15/2-29/S25MB	18	41	36	46	39	54	30	73	1,280	
		250	30	M42x2	8047S30 96	8247S30 96	ZS15/2-29/S30MB	20	50	41	50	49	62	35,5	78,5	1,172
			38	M48x2	8047S38 98	8247S38 98	ZS15/2-29/S38MB	22	55	50	60	55	72	41	89	2,660

* Safety factor 3.

Standpipe run tees

BSP parallel
sealing bite
ISO 1179-4

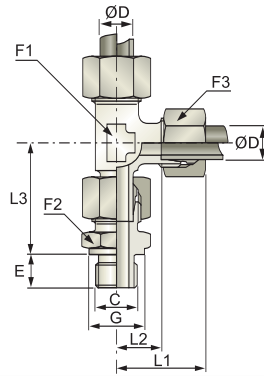


	PN	ØD	C	Body only	Double-bite ring	Bell code	E	F1	F2	F3	G	L1	L2	L3	kg
L	315	6	G1/8	8048L06 10	8248L06 10	ZS15/3-29/L6RB	8	12	14	14	14	27	12	34,5	0,070
		8	G1/4	8048L08 13	8248L08 13	ZS15/3-29/L8RB	12	12	19	17	18	29	14	37,5	0,100
		10	G1/4	8048L10 13	8248L10 13	ZS15/3-29/L10RB	12	14	19	19	18	30	15	40	0,120
		12	G3/8	8048L12 17	8248L12 17	ZS15/3-29/L12RB	12	17	22	22	22	32	17	42	0,160
		15	G1/2	8048L15 21	8248L15 21	ZS15/3-29/L15RB	14	19	27	27	26	36	21	46	0,270
	250	18	G1/2	8048L18 21	8248L18 21	ZS15/3-29/L18RB	14	24	27	32	26	40	23,5	50	0,360
		22	G3/4	8048L22 27	8248L22 27	ZS15/3-29/L22RB	16	27	32	36	32	44	27,5	55	0,490
		28	G1	8048L28 34	8248L28 34	ZS15/3-29/L28RB	18	36	41	41	39	47	30,5	59	0,700
		35	G1"1/4	8048L35 42	8248L35 42	ZS15/3-29/L35RB	20	41	50	50	49	56	34,5	68,5	0,980
		42	G1"1/2	8048L42 49	8248L42 49	ZS15/3-29/L42RB	22	50	55	60	55	63	40	75	1,300
S	PB630*	6	G1/4	8048S06 13	8248S06 13	ZS15/3-29/S6RB	12	12	19	17	18	31	16	40	0,110
		8	G1/4	8048S08 13	8248S08 13	ZS15/3-29/S8RB	12	14	19	19	18	32	17	42,5	0,140
		10	G3/8	8048S10 17	8248S10 17	ZS15/3-29/S10RB	12	17	22	22	22	34	17,5	45	0,210
		12	G3/8	8048S12 17	8248S12 17	ZS15/3-29/S12RB	12	17	22	24	22	38	21,5	48	0,250
		14	G1/2	8048S14 21	8248S14 21	ZS15/3-29/S14RB	14	19	27	27	26	40	22	54	0,340
	400	16	G1/2	8048S16 21	8248S16 21	ZS15/3-29/S16RB	14	24	27	30	26	43	24,5	55	0,430
		20	G3/4	8048S20 27	8248S20 27	ZS15/3-29/S20RB	16	27	32	36	32	48	26,5	65	0,650
		25	G1	8048S25 34	8248S25 34	ZS15/3-29/S25RB	18	36	41	46	39	54	30	73	1,230
		30	G1"1/4	8048S30 42	8248S30 42	ZS15/3-29/S30RB	20	41	50	50	49	62	35,5	78,5	1,660
		38	G1"1/2	8048S38 49	8248S38 49	ZS15/3-29/S38RB	22	50	55	60	55	72	41	89	2,470

* Safety factor 3.

Standpipe run tees

metric parallel
sealing bite
ISO 9974-3

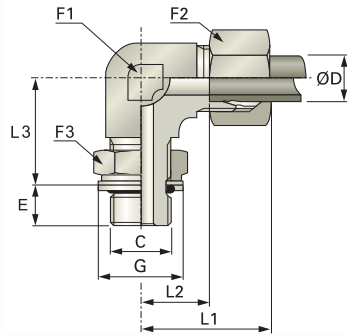


	PN	ØD	C	Body only	Double-bite ring	Bell code	E	F1	F2	F3	G	L1	L2	L3		
L	315	6	M10x1	8048L06 60	8248L06 60	ZS15/3-29/L6MB	8	12	14	14	14	27	12	34,5	0,070	
		8	M12x1,5	8048L08 67	8248L08 67	ZS15/3-29/L8MB	12	12	17	17	17	29	14	37,5	0,100	
		10	M14x1,5	8048L10 71	8248L10 71	ZS15/3-29/L10MB	12	14	19	19	19	30	15	40	0,110	
		12	M16x1,5	8048L12 75	8248L12 75	ZS15/3-29/L12MB	12	17	22	22	21	32	17	42	0,160	
		15	M18x1,5	8048L15 78	8248L15 78	ZS15/3-29/L15MB	12	19	24	27	23	36	21	46	0,270	
		18	M22x1,5	8048L18 82	8248L18 82	ZS15/3-29/L18MB	14	24	27	32	27	40	23,5	50	0,350	
	250	22	M26x1,5	8048L22 89	8248L22 89	ZS15/3-29/L22MB	16	27	32	36	31	44	27,5	55	0,490	
		28	M33x2	8048L28 91	8248L28 91	ZS15/3-29/L28MB	18	36	41	41	39	47	30,5	59	0,700	
		35	M42x2	8048L35 96	8248L35 96	ZS15/3-29/L35MB	20	41	50	50	49	56	34,5	68,5	0,980	
		42	M48x2	8048L42 98	8248L42 98	ZS15/3-29/L42MB	22	50	55	60	55	63	40	75	1,300	
S	PB630*	6	M12x1,5	8048S06 67	8248S06 67	ZS15/3-29/S6MB	12	12	17	17	17	31	16	40	0,110	
		8	M14x1,5	8048S08 71	8248S08 71	ZS15/3-29/S8MB	12	14	19	19	19	32	17	42,5	0,140	
		10	M16x1,5	8048S10 75	8248S10 75	ZS15/3-29/S10MB	12	17	22	22	21	34	17,5	45	0,210	
		12	M18x1,5	8048S12 78	8248S12 78	ZS15/3-29/S12MB	12	17	24	24	23	38	21,5	48	0,250	
		14	M20x1,5	8048S14 80	8248S14 80	ZS15/3-29/S14MB	14	19	27	27	25	40	22	54	0,340	
		16	M22x1,5	8048S16 82	8248S16 82	ZS15/3-29/S16MB	14	24	27	30	27	43	24,5	55	0,430	
	400	20	M27x2	8048S20 86	8248S20 86	ZS15/3-29/S20MB	16	27	32	36	32	48	26,5	65	0,650	
		25	M33x2	8048S25 91	8248S25 91	ZS15/3-29/S25MB	18	36	41	46	39	54	30	73	1,230	
		250	30	M42x2	8048S30 96	8248S30 96	ZS15/3-29/S30MB	20	41	50	50	49	62	35,5	78,5	1,660
			38	M48x2	8048S38 98	8248S38 98	ZS15/3-29/S38MB	22	50	55	60	55	72	41	89	2,470

* Safety factor 3.

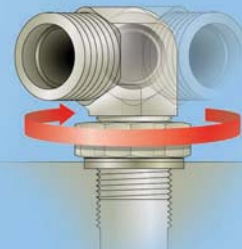
Adjustable male stud elbows with lock nut

BSP parallel
O-ring and lock nut
ISO 6149-2/3



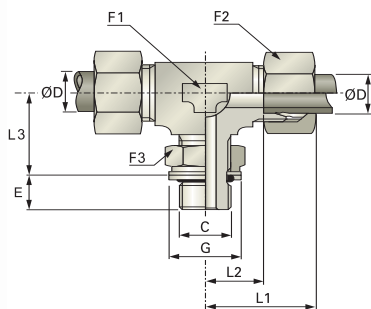
PN	PB	ØD	C	Body only	Double-bite ring	DiNova ring	Bell code	E	F1	F2	F3	G	L1	L2	L3	O-ring	kg
315 500	6	G1/8		8051L06 10	8251L06 10	8351L06 10	ZS15/1-02/L6R	7	14	14	14	15	29	14	19	8,1x1,6	0,057
	8	G1/4		8051L08 13	8251L08 13	8351L08 13	ZS15/1-02/L8R	9	14	17	19	20	31	16	23	11,3x2,2	0,071
	10	G1/4		8051L10 13	8251L10 13	8351L10 13	ZS15/1-02/L10R	9	19	19	19	20	32	17	25	11,3x2,2	0,101
	12	G3/8		8051L12 17	8251L12 17	8351L12 17	ZS15/1-02/L12R	9	19	22	22	23	34	19	28	13,94x2,62	0,122
L 200 315	15	G1/2		8051L15 21	8251L15 21	8351L15 21	ZS15/1-02/L15R	13	22	27	27	28	36	21	30	17,86x2,62	0,200
	18	G1/2		8051L18 21	8251L18 21	8351L18 21	ZS15/1-02/L18R	13	27	32	27	28	40	24	36	17,86x2,62	0,255
	22	G3/4		8051L22 27	8251L22 27	8351L22 27	ZS15/1-02/L22R	13	32	36	36	33	44	28	39	23,47x2,62	0,440
160 250	28	G1		8051L28 34	8251L28 34	8351L28 34	ZS15/1-02/L28R	15	36	41	41	41	47	31	44	29,74x2,95	0,751
	35	G1"1/4		8051L35 42	8251L35 42	8351L35 42	ZS15/1-02/L35R	15	48	50	50	51	59	38	50	37,7x3,53	1,107
	42	G1"1/2		8051L42 49	8251L42 49	8351L42 49	ZS15/1-02/L42R	15	48	60	55	56	61	38	52	44,04x3,53	1,180
315 500	6	G1/4		8051S06 13	8251S06 13	8351S06 13	ZS15/1-02/S6R	9	14	17	19	20	30	15	23	11,3x2,2	0,072
	8	G1/4		8051S08 13	8251S08 13	8351S08 13	ZS15/1-02/S8R	9	19	19	19	20	32	17	27	11,3x2,2	1,110
	10	G3/8		8051S10 17	8251S10 17	8351S10 17	ZS15/1-02/S10R	9	19	22	22	23	34	18	29	13,94x2,62	0,139
	12	G3/8		8051S12 17	8251S12 17	8351S12 17	ZS15/1-02/S12R	9	22	24	22	23	38	22	29	13,94x2,62	0,176
S 200 315	16	G1/2		8051S16 21	8251S16 21	8351S16 21	ZS15/1-02/S16R	13	27	30	27	28	43	25	36	17,86x2,62	0,314
	20	G3/4		8051S20 27	8251S20 27	8351S20 27	ZS15/1-02/S20R	13	32	36	36	33	49	28	39	23,47x2,62	0,434
180 280	25	G1		8051S25 34	8251S25 34	8351S25 34	ZS15/1-02/S25R	15	36	46	41	41	54	30	44	29,74x2,95	0,730
	30	G1"1/4		8051S30 42	8251S30 42	8351S30 42	ZS15/1-02/S30R	15	48	50	50	51	62	36	49	37,7x3,53	1,215
160 250	38	G1"1/2		8051S38 49	8251S38 49	8351S38 49	ZS15/1-02/S38R	15	48	60	55	56	65	34	55	44,04x3,53	1,370

These couplings can swivel 360° and take up less space than alternate couplings. They have high sealing capability and require reduced assembly force. They can be loosened and retightened as required.



Adjustable male stud branch tees with lock nut

BSP parallel
O-ring and lock nut
ISO 6149-2/3



PN	PB	ØD	C	Body only	Double-bite ring	DiNova ring	Bell code	E	F1	F2	F3	G	L1	L2	L3	O-ring	kg
315 500	6	G1/8		8055L06 10	8255L06 10	8355L06 10	ZS15/1-03/L6R	7	14	14	14	15	29	14	19	8,1x1,6	0,089
	8	G1/4		8055L08 13	8255L08 13	8355L08 13	ZS15/1-03/L8R	9	14	17	19	20	31	16	23	11,3x2,2	0,098
	10	G1/4		8055L10 13	8255L10 13	8355L10 13	ZS15/1-03/L10R	9	19	19	19	20	32	17	25	11,3x2,2	0,148
	12	G3/8		8055L12 17	8255L12 17	8355L12 17	ZS15/1-03/L12R	9	19	22	22	23	34	19	28	13,94x2,62	0,189
L 200 315	15	G1/2		8055L15 21	8255L15 21	8355L15 21	ZS15/1-03/L15R	13	22	27	27	28	36	21	30	17,86x2,62	0,258
	18	G1/2		8055L18 21	8255L18 21	8355L18 21	ZS15/1-03/L18R	13	27	32	27	28	40	24	36	17,86x2,62	0,401
	22	G3/4		8055L22 27	8255L22 27	8355L22 27	ZS15/1-03/L22R	13	32	36	36	33	44	28	39	23,47x2,62	0,596
160 250	28	G1		8055L28 34	8255L28 34	8355L28 34	ZS15/1-03/L28R	15	36	41	41	41	47	31	44	29,74x2,95	0,795
	35	G1"1/4		8055L35 42	8255L35 42	8355L35 42	ZS15/1-03/L35R	15	48	50	50	51	59	38	50	37,7x3,53	1,160
	42	G1"1/2		8055L42 49	8255L42 49	8355L42 49	ZS15/1-03/L42R	15	48	60	55	56	61	38	52	44,04x3,53	1,390
315 500	6	G1/4		8055S06 13	8255S06 13	8355S06 13	ZS15/1-03/S6R	9	14	17	19	20	30	15	23	11,3x2,2	0,104
	8	G1/4		8055S08 13	8255S08 13	8355S08 13	ZS15/1-03/S8R	9	19	19	19	20	32	17	27	11,3x2,2	0,158
	10	G3/8		8055S10 17	8255S10 17	8355S10 17	ZS15/1-03/S10R	9	19	22	22	23	34	18	29	13,94x2,62	0,198
	12	G3/8		8055S12 17	8255S12 17	8355S12 17	ZS15/1-03/S12R	9	22	24	22	23	38	22	29	13,94x2,62	0,280
S 200 315	16	G1/2		8055S16 21	8255S16 21	8355S16 21	ZS15/1-03/S16R	13	27	30	27	28	43	25	36	17,86x2,62	0,398
	20	G3/4		8055S20 27	8255S20 27	8355S20 27	ZS15/1-03/S20R	13	32	36	36	33	49	28	39	23,47x2,62	0,594
180 280	25	G1		8055S25 34	8255S25 34	8355S25 34	ZS15/1-03/S25R	15	36	46	41	41	54	30	44	29,74x2,95	0,905
	30	G1"1/4		8055S30 42	8255S30 42	8355S30 42	ZS15/1-03/S30R	15	48	50	50	51	62	36	49	37,7x3,53	1,350
160 250	38	G1"1/2		8055S38 49	8255S38 49	8355S38 49	ZS15/1-03/S38R	15	48	60	55	56	65	34	55	44,04x3,53	1,595



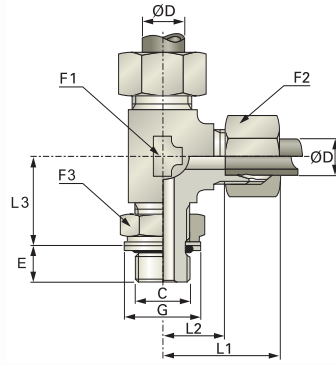
Also available upon request :

- metric parallel thread models ISO 9974-1 or ISO 6149 (8255/8355- 8256/8356)
- UN, UNF thread models with O-ring (8256/8356)

Find these models on legris.com

Adjustable male stud run tees with lock nut

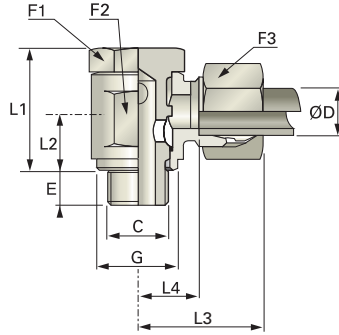
BSP parallel
O-ring and lock nut
ISO 6149-2/3



PN	PB	ØD	C	Body only	Double-bite ring	DiNova ring	Bell code	E	F1	F2	F3	G	L1	L2	L3	O-ring	kg	
L	315 500	6	G1/8	8057L06 10	8257L06 10	8357L06 10	ZS15/1-04/L6R	7	14	14	14	15	29	14	19	8,1x1,6	0,089	
		8	G1/4	8057L08 13	8257L08 13	8357L08 13	ZS15/1-04/L8R	9	14	17	19	20	31	16	23	11,3x2,2	0,098	
		10	G1/4	8057L10 13	8257L10 13	8357L10 13	ZS15/1-04/L10R	9	19	19	19	20	32	17	25	11,3x2,2	0,148	
		12	G3/8	8057L12 17	8257L12 17	8357L12 17	ZS15/1-04/L12R	9	19	22	22	23	34	19	28	13,94x2,62	0,189	
L	200 315	15	G1/2	8057L15 21	8257L15 21	8357L15 21	ZS15/1-04/L15R	13	22	27	27	28	36	21	30	17,86x2,62	0,258	
		18	G1/2	8057L18 21	8257L18 21	8357L18 21	ZS15/1-04/L18R	13	27	32	27	28	40	24	36	17,86x2,62	0,401	
		22	G3/4	8057L22 27	8257L22 27	8357L22 27	ZS15/1-04/L22R	13	32	36	36	33	44	28	39	23,47x2,62	0,596	
		28	G1	8057L28 34	8257L28 34	8357L28 34	ZS15/1-04/L28R	15	36	41	41	41	47	31	44	29,74x2,95	0,795	
L	160 250	35	G1"1/4	8057L35 42	8257L35 42	8357L35 42	ZS15/1-04/L35R	15	48	50	50	51	59	38	50	37,7x3,53	1,160	
		42	G1"1/2	8057L42 49	8257L42 49	8357L42 49	ZS15/1-04/L42R	15	48	60	55	56	61	38	52	44,04x3,53	1,390	
S	315 500	6	G1/4	8057S06 13	8257S06 13	8357S06 13	ZS15/1-04/S6R	9	14	17	19	20	30	15	23	11,3x2,2	0,104	
		8	G1/4	8057S08 13	8257S08 13	8357S08 13	ZS15/1-04/S8R	9	19	19	19	20	32	17	27	11,3x2,2	0,158	
		10	G3/8	8057S10 17	8257S10 17	8357S10 17	ZS15/1-04/S10R	9	19	22	22	23	34	18	29	13,94x2,62	0,198	
		12	G3/8	8057S12 17	8257S12 17	8357S12 17	ZS15/1-04/S12R	9	22	24	22	23	38	22	29	13,94x2,62	0,280	
	S	200 315	16	G1/2	8057S16 21	8257S16 21	8357S16 21	ZS15/1-04/S16R	13	27	30	27	28	43	25	36	17,86x2,62	0,398
			20	G3/4	8057S20 27	8257S20 27	8357S20 27	ZS15/1-04/S20R	13	32	36	36	33	49	28	39	23,47x2,62	0,594
			25	G1	8057S25 34	8257S25 34	8357S25 34	ZS15/1-04/S25R	15	36	46	41	41	54	30	44	29,74x2,95	0,905
			30	G1"1/4	8057S30 42	8257S30 42	8357S30 42	ZS15/1-04/S30R	15	48	50	50	51	62	36	49	37,7x3,53	1,350
S	160 250	38	G1"1/2	8057S38 49	8257S38 49	8357S38 49	ZS15/1-04/S38R	15	48	60	55	56	65	34	55	44,04x3,53	1,595	

Banjo couplings

BSP parallel



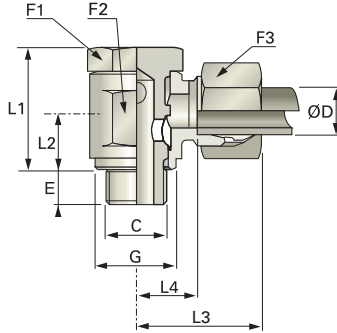
	PB	ØD	C	Body only	Single-bite ring	Double-bite ring	Bell code	E	F1	F2	F3	G	L1	L2	L3	L4	MA* (Nm)	
LL	100	4	G1/8	8018E04 10	8118E04 10		15-07/LL4R	6	14	14	10	13	18	8	21	11,5	15	0,030
		6	G1/8	8018E06 10	8118E06 10		15-07/LL6R	6	14	14	12	13	20	9,5	22	10	15	0,033
		8	G1/8	8018E08 10	8118E08 10		15-07/LL8R	6	14	14	14	13	21,5	10	23	11	15	0,035
L	250	6	G1/8	8018L06 10		8218L06 10	ZS15-07/L6R	6	14	17	14	14,5	22	10	26	11,5	20	0,040
		8	G1/4	8018L08 13		8218L08 13	ZS15-07/L8R	9	19	19	17	18	26	12,5	28	13	35	0,077
		10	G1/4	8018L10 13		8218L10 13	ZS15-07/L10R	9	19	22	19	19	28	13,5	30	15	35	0,085
		10	G3/8	8018L10 17		8218L10 17	ZS15-07/L10R3/8"	9	22	24	19	21,8	32	15,5	31	16	35	0,100
		12	G1/4	8018L12 13		8218L12 13	ZS15-07/L12R1/4"	9	19	24	22	19	28	13,5	31	16	35	0,130
	12	G3/8	8018L12 17		8218L12 17	ZS15-07/L12R	9	22	24	22	21,8	32	15,5	31	16	70	0,142	
	12	G1/2	8018L12 21		8218L12 21	ZS15-07/L12R1/2"	11	27	30	22	26,5	37	18,5	34,5	19,5	90	0,150	
	15	G1/2	8018L15 21		8218L15 21	ZS15-07/L15R	11	27	30	27	26,5	37	18,5	35	19,5	90	0,195	
	180	18	G1/2	8018L18 21		8218L18 21	ZS15-07/L18R	11	27	30	32	26,5	45	22	36	19,5	120	0,205
	220	22	G3/4	8018L22 27		8218L22 27	ZS15-07/L22R	13	32	36	36	32	49	24	41	24,5	160	0,383
S	250	6	G1/4	8018S06 13		8218S06 13	ZS15-07/S6R	9	19	19	17	18	26	12,5	29	14,5	35	0,080
		8	G1/4	8018S08 13		8218S08 13	ZS15-07/S8R	9	19	22	19	19	28	13,5	31	16	35	0,095
		10	G3/8	8018S10 17		8218S10 17	ZS15-07/S10R	9	22	24	22	21,8	32	15,5	32	16	70	0,120
	12	G3/8	8018S12 17		8218S12 17	ZS15-07/S12R	9	24	24	24	23,5	37	18,5	34	17,5	70	0,145	
	14	G1/2	8018S14 21		8218S14 21	ZS15-07/S14R	11	27	30	27	26,5	37	18,5	38	20,5	120	0,215	
	160	16	G1/2	8018S16 21		8218S16 21	ZS15-07/S16R	11	27	30	30	26,5	45	22	40	21,5	120	0,277
	20	G3/4	8018S20 27		8218S20 27	ZS15-07/S20R	13	32	36	36	32	49	24	45	23,5	160	0,425	

* recommended tightening torque for the banjo bolt.

8218: banjo for medium pressure applications and reduced spaces

Banjo couplings

metric parallel



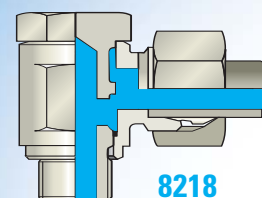
	PB	ØD	C	Body only	Single-bite ring	Double-bite ring	Bell code	E	F1	F2	F3	G	L1	L2	L3	L4	MA* (Nm)	
LL	100	4	M8x1	8018E04 56	8118E04 56		15-07/LL4M	6	14	14	10	13	18	8	21	11,5	15	0,028
		6	M10x1	8018E06 60	8118E06 60		15-07/LL6M	6	14	14	12	13	20	9,5	22	10	15	0,033
		8	M10x1	8018E08 60	8118E08 60		15-07/LL8M	6	14	14	14	13	21,5	10	23	11	15	0,035
L	250	6	M10x1	8018L06 60		8218L06 60	ZS15-07/L6M	6	14	17	14	14,5	22	10	26	11,5	20	0,038
		8	M12x1,5	8018L08 67		8218L08 67	ZS15-07/L8M	9	19	19	17	18	26	12,5	28	13	35	0,070
		10	M14x1,5	8018L10 71		8218L10 71	ZS15-07/L10M	9	19	22	19	19	28	13,5	30	15	40	0,080
		12	M16x1,5	8018L12 75		8218L12 75	ZS15-07/L12M	9	22	24	22	21,8	32	15,5	31	16	70	0,110
		12	M18x1,5	8018L12 78		8218L12 78	ZS15-07/L12M18X1,5	8	24	24	22	23,5	37	18,5	33	18	75	0,160
		15	M18x1,5	8018L15 78		8218L15 78	ZS15-07/L15M	9	24	24	27	23,5	37	18,5	33	18	75	0,165
		18	M22x1,5	8018L18 82		8218L18 82	ZS15-07/L18M	11	27	30	32	26,5	45	22	36	19,5	140	0,265
160	22	M26x1,5	8018L22 89		8218L22 89	ZS15-07/L22M	13	32	36	36	32	49	24	41	24,5	160	0,350	
S	250	6	M12x1,5	8018S06 67		8218S06 67	ZS15-07/S6M	9	19	19	17	18	26	12,5	29	14,5	35	0,067
		8	M14x1,5	8018S08 71		8218S08 71	ZS15-07/S8M	9	19	22	19	19	28	13,5	31	16	40	0,093
		10	M16x1,5	8018S10 75		8218S10 75	ZS15-07/S10M	9	22	24	22	21,8	32	15,5	32	16	70	0,130
		12	M18x1,5	8018S12 78		8218S12 78	ZS15-07/S12M	9	24	24	24	23,5	37	18,5	34	17,5	75	0,168
		14	M20x1,5	8018S14 80		8218S14 80	ZS15-07/S14M	11	27	30	27	26,5	37	18,5	38	20,5	120	0,215
		160	16	M22x1,5	8018S16 82		8218S16 82	ZS15-07/S16M	11	27	30	30	26,5	45	22	40	21,5	140
	20	M27x2	8018S20 86		8218S20 86	ZS15-07/S20M	13	32	36	36	32	49	24	45	23,5	170	0,425	

* Recommended tightening torque for the banjo bolt

Technical characteristics

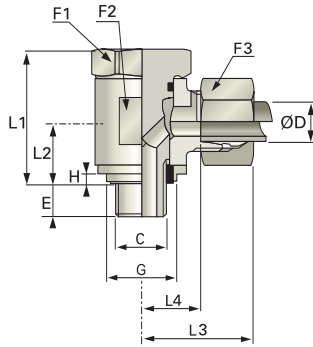
- Metal/metal sealing
- For medium pressure
- Low pressure loss
- Safety coefficient : 2.5
- Working pressure : 100 to 250 bar

90° internal passage



High pressure banjo couplings

BSP parallel



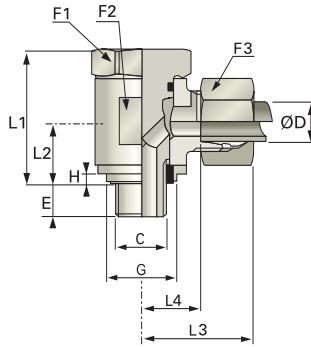
	PB	ØD	C	Body			Bell code	E	F1	F2	F3	G	H	L1	L2	L3	L4	MA* (Nm)		
				Body only	Single-bite ring	Double-bite ring														
L	400	6	G1/8	8028L06 10	8228L06 10	8328L06 10	ZS15/3-07/L6RF	8	19	19	14	14,9	1,5	21	10,5	28	13	25	0,074	
		8	G1/4	8028L08 13	8228L08 13	8328L08 13	ZS15/3-07/L8RF	12	22	22	17	18,9	2	27	13,5	29	14,5	50	0,117	
		10	G1/4	8028L10 13	8228L10 13	8328L10 13	ZS15/3-07/L10RF	12	22	22	19	18,9	2	27	13,5	30	15,5	50	0,128	
		12	G3/8	8028L12 17	8228L12 17	8328L12 17	ZS15/3-07/L12RF	12	27	27	22	22,9	2,5	33	16,5	33	18	90	0,215	
		15	G1/2	8028L15 21	8228L15 21	8328L15 21	ZS15/3-07/L15RF	14	32	32	27	26,9	3	42	19,5	37	22	130	0,310	
		18	G1/2	8028L18 21	8228L18 21	8328L18 21	ZS15/3-07/L18RF	14	32	36	32	26,9	3	43	21,5	38	21	150	0,380	
	315	22	G3/4	8028L22 27	8228L22 27	8328L22 27	ZS15/3-07/L22RF	16	41	46	36	32,9	3	48	24	45	27,5	250	0,645	
	250	28	G1"	8028L28 34	8228L28 34	8328L28 34	ZS15/3-07/L28RF	18	46	50	41	39,9	3	59,5	30,5	48	31,5	400	0,890	
		35	G1"1/4	8028L35 42	8228L35 42	8328L35 42	ZS15/3-07/L35RF	20	60	60	50	49,9	3	70,5	35,5	57	35,5	600	1,500	
42		G1"1/2	8028L42 49	8228L42 49	8328L42 49	ZS15/3-07/L42RF	22	65	70	60	55,9	3	80	40,5	63	40	800	2,400		
S	400	6	G1/4	8028S06 13	8228S06 13	8328S06 13	ZS15/3-07/S6RF	12	22	22	17	18,9	2	27	13,5	31	16,5	50	0,119	
		8	G1/4	8028S08 13	8228S08 13	8328S08 13	ZS15/3-07/S8RF	12	22	22	19	18,9	2	27	13,5	31	16,5	50	0,140	
		10	G3/8	8028S10 17	8228S10 17	8328S10 17	ZS15/3-07/S10RF	12	27	27	22	22,9	2,5	33	16,5	35	18,5	90	0,200	
		12	G3/8	8028S12 17	8228S12 17	8328S12 17	ZS15/3-07/S12RF	12	27	27	24	22,9	2,5	33	16,5	35	18,5	100	0,212	
		14	G1/2	8028S14 21	8228S14 21	8328S14 21	ZS15/3-07/S14RF	14	32	32	27	26,9	3	42	19,5	41	23	130	0,320	
		16	G1/2	8028S16 21	8228S16 21	8328S16 21	ZS15/3-07/S16RF	14	32	36	30	26,9	3	43	21,5	41	22	150	0,410	
	315	20	G3/4	8028S20 27	8228S20 27	8328S20 27	ZS15/3-07/S20RF	16	41	46	36	32,9	3	48	24	49	26,5	250	0,770	
	250	25	G1"	8028S25 34	8228S25 34	8328S25 34	ZS15/3-07/S25RF	18	46	50	46	39,9	3	59,5	30,5	55	31	400	1,020	
		30	G1"1/4	8028S30 42	8228S30 42	8328S30 42	ZS15/3-07/S30RF	20	60	60	50	49,9	3	70,5	35,5	63	36,5	600	1,630	
38		G1"1/2	8028S38 49	8228S38 49	8328S38 49	ZS15/3-07/S38RF	22	65	70	60	55,9	3	80	40,5	72	41	800	2,520		

* Recommended tightening torque for the banjo bolt

8228 : banjo designed for high pressure applications

High pressure banjo couplings

metric parallel



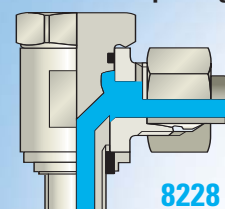
	PB	ØD	C	Body only	Double-bite ring	DiNova ring	Bell code	E	F1	F2	F3	G	H	L1	L2	L3	L4	MA* (Nm)			
L	400	6	M10x1	8028L06 60	8228L06 60	8328L06 60	ZS15/3-07/L6MF	8	19	19	14	14,9	1,5	21	10	28	13	30	0,074		
		8	M12x1,5	8028L08 67	8228L08 67	8328L08 67	ZS15/3-07/L8MF	12	22	22	17	17,9	2	27	13,5	29	14,5	40	0,120		
		10	M14x1,5	8028L10 71	8228L10 71	8328L10 71	ZS15/3-07/L10MF	12	22	22	19	19,9	2	27	13,5	30	15,5	60	0,130		
	315	250	12	M16x1,5	8028L12 75	8228L12 75	8328L12 75	ZS15/3-07/L12MF	12	27	27	22	21,9	2	33	16,5	33	18	100	0,207	
			15	M18x1,5	8028L15 78	8228L15 78	8328L15 78	ZS15/3-07/L15MF	12	30	30	27	23,9	2,5	37	18,5	36	20,5	130	0,305	
			18	M22x1,5	8028L18 82	8228L18 82	8328L18 82	ZS15/3-07/L18MF	14	32	36	32	27,9	3	43	21,5	38	21	160	0,365	
	S	400	250	22	M26x1,5	8028L22 89	8228L22 89	8328L22 89	ZS15/3-07/L22MF	16	36	41	36	31,9	3	48	24	43	27	250	0,565
				28	M33x2	8028L28 91	8228L28 91	8328L28 91	ZS15/3-07/L28MF	18	46	50	41	39,9	3	59,5	30,5	48	31,5	400	0,925
				35	M42x2	8028L35 96	8228L35 96	8328L35 96	ZS15/3-07/L35MF	20	60	60	50	49,9	3	70,5	35,5	57	35,5	600	1,520
315		250	42	M48x2	8028L42 98	8228L42 98	8328L42 98	ZS15/3-07/L42MF	22	65	70	60	55,9	3	80	40,5	63	40	800	2,400	
			6	M12x1,5	8028S06 67	8228S06 67	8328S06 67	ZS15/3-07/S6MF	12	22	22	17	17,9	2	27	13,5	31	16,5	40	0,120	
			8	M14x1,5	8028S08 71	8228S08 71	8328S08 71	ZS15/3-07/S8MF	12	22	22	19	19,9	2	27	13,5	31	16,5	60	0,136	
315		250	10	M16x1,5	8028S10 75	8228S10 75	8328S10 75	ZS15/3-07/S10MF	12	27	27	22	21,9	2	33	16,5	35	18,5	100	0,200	
			12	M18x1,5	8028S12 78	8228S12 78	8328S12 78	ZS15/3-07/S12MF	12	30	30	24	23,9	2,5	37	18,5	37	20,5	130	0,280	
			14	M20x1,5	8028S14 80	8228S14 80	8328S14 80	ZS15/3-07/S14MF	12	32	32	27	25,9	2,5	42	19,5	41	23	160	0,330	
315	250	16	M22x1,5	8028S16 82	8228S16 82	8328S16 82	ZS15/3-07/S16MF	14	32	36	30	27,9	3	43	21,5	41	22	160	0,418		
		20	M27x2	8028S20 86	8228S20 86	8328S20 86	ZS15/3-07/S20MF	16	41	46	36	32,9	3	48	24	49	26,5	250	0,765		
		25	M33x2	8028S25 91	8228S25 91	8328S25 91	ZS15/3-07/S25MF	18	46	50	46	39,9	3	59,5	30,5	55	31	400	1,050		
315	250	30	M42x2	8028S30 96	8228S30 96	8328S30 96	ZS15/3-07/S30MF	20	60	60	50	49,9	3	70,5	35,5	63	36,5	600	1,640		
		38	M48x2	8028S38 98	8228S38 98	8328S38 98	ZS15/3-07/S38MF	22	65	70	60	55,9	3	80	40,5	72	41	800	2,520		

* Recommended tightening torque for the banjo bolt

Technical characteristics

- PTFE seal
- For high pressure
- Low pressure loss
- Safety coefficient : 2.5
- Working pressure : 250 to 400 bar

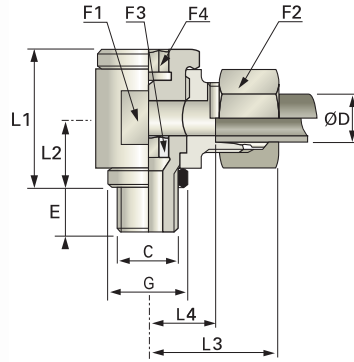
45° internal passage



8228

Chock-free banjo couplings

BSP parallel



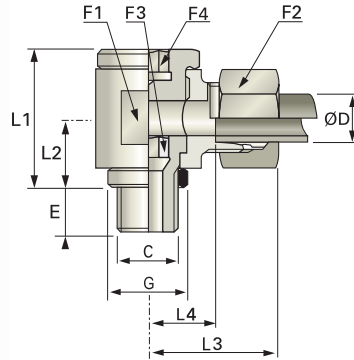
	PB	ØD	C	Body only	Double-bite ring	DiNova ring	Bell code	E	F1	F2	F3	F4	G	L1	L2	L3	L4	
L	6	G1/8		8038L06 10	8238L06 10	8338L06 10	ZS15/1-09/L6R	8	19	14	6	6	14	24	12	28	13	0,059
	8	G1/4		8038L08 13	8238L08 13	8338L08 13	ZS15/1-09/L8R	12	22	17	8	8	18	30,5	16	29	14,5	0,105
	10	G1/4		8038L10 13	8238L10 13	8338L10 13	ZS15/1-09/L10R	12	22	19	8	8	18	30,5	16	30	15,5	0,113
	12	G3/8		8038L12 17	8238L12 17	8338L12 17	ZS15/1-09/L12R	12	27	22	10	10	22	36	18	33	18	0,180
	15	G1/2		8038L15 21	8238L15 21	8338L15 21	ZS15/1-09/L15R	14	32	27	12	12	26	42	21	37	22	0,247
	18	G1/2		8038L18 21	8238L18 21	8338L18 21	ZS15/1-09/L18R	14	36	32	12	12	26	46	23,5	38	21,5	0,269
	22	G3/4		8038L22 27	8238L22 27	8338L22 27	ZS15/1-09/L22R	16	46	36	17	17	32	57,5	28	45	28,5	0,546
	28	G1"		8038L28 34	8238L28 34	8338L28 34	ZS15/1-09/L28R	18	50	41	22	22	39	63	32	48	31,5	0,701
	35	G1"1/4		8038L35 42	8238L35 42	8338L35 42	ZS15/1-09/L35R	20	60	50	27	27	49	75	37	57	35,5	1,173
	42	G1"1/2		8038L42 49	8238L42 49	8338L42 49	ZS15/1-09/L42R	22	70	60	32	32	55	85	42	63	40	2,244
S	6	G1/4		8038S06 13	8238S06 13	8338S06 13	ZS15/1-09/S6R	12	22	17	8	8	18	30,5	16	31	16,5	0,109
	8	G1/4		8038S08 13	8238S08 13	8338S08 13	ZS15/1-09/S8R	12	22	19	8	8	18	30,5	16	31	16,5	0,114
	10	G3/8		8038S10 17	8238S10 17	8338S10 17	ZS15/1-09/S10R	12	27	22	10	10	22	36	18	35	18,5	0,190
	12	G3/8		8038S12 17	8238S12 17	8338S12 17	ZS15/1-09/S12R	12	27	24	10	10	22	36	18	35	18,5	0,196
	14	G1/2		8038S14 21	8238S14 21	8338S14 21	ZS15/1-09/S14R	14	32	27	12	12	26	42	21	41	23	0,297
	16	G1/2		8038S16 21	8238S16 21	8338S16 21	ZS15/1-09/S16R	14	36	30	12	12	26	46	23,5	41	22,5	0,307
	20	G3/4		8038S20 27	8238S20 27	8338S20 27	ZS15/1-09/S20R	16	46	36	17	17	32	57,5	28	49	27,5	0,753
	25	G1"		8038S25 34	8238S25 34	8338S25 34	ZS15/1-09/S25R	18	50	46	22	22	39	63	32	55	31	1,019
	30	G1"1/4		8038S30 42	8238S30 42	8338S30 42	ZS15/1-09/S30R	20	60	50	27	27	49	75	37	63	36,5	1,580
	38	G1"1/2		8038S38 49	8238S38 49	8338S38 49	ZS15/1-09/S38R	22	70	60	32	32	55	85	42	72	41	2,432

* Safety factor 1,6 mini

8238: chock-free banjo couplings are ideal for reducing pressure loss and optimizing the efficiency of a hydraulic system

Chock-free banjo couplings

metric parallel



	PB	ØD	C	Body only	Double-bite ring	DiNova ring	Bell code	E	F1	F2	F3	F4	G	L1	L2	L3	L4	kg
L	250	6	M10x1	8038L06 60	8238L06 60	8338L06 60	ZS15/1-09/L6M	8	19	14	6	6	14	24	12	28	13	0,062
		8	M12x1,5	8038L08 67	8238L08 67	8338L08 67	ZS15/1-09/L8M	12	22	17	6	6	17	30,5	15	29	14,5	0,076
		10	M14x1,5	8038L10 71	8238L10 71	8338L10 71	ZS15/1-09/L10M	12	22	19	8	8	19	30,5	16	30	15,5	0,114
		12	M16x1,5	8038L12 75	8238L12 75	8338L12 75	ZS15/1-09/L12M	12	27	22	10	10	21	36	18	33	18	0,179
		15	M18x1,5	8038L15 78	8238L15 78	8338L15 78	ZS15/1-09/L15M	12	30	27	12	12	23	40,5	20	36	21	0,241
	100	18	M22x1,5	8038L18 82	8238L18 82	8338L18 82	ZS15/1-09/L18M	14	36	32	14	14	27	46	23	38	21,5	0,301
		22	M26x1,5	8038L22 89	8238L22 89	8338L22 89	ZS15/1-09/L22M	16	41	36	17	17	31	50,5	25	42	26	0,399
		28	M33x2	8038L28 91	8238L28 91	8338L28 91	ZS15/1-09/L28M	18	50	41	22	22	39	63	32	48	31,5	0,696
		35	M42x2	8038L35 96	8238L35 96	8338L35 96	ZS15/1-09/L35M	20	60	50	27	27	49	75	37	57	35,5	1,161
		42	M48x2	8038L42 98	8238L42 98	8338L42 98	ZS15/1-09/L42M	22	70	60	32	32	55	85	42	63	40	2,240
S	400*	6	M12x1,5	8038S06 67	8238S06 67	8338S06 67	ZS15/1-09/S6M	12	22	17	6	6	17	30,5	15	31	16,5	0,092
		8	M14x1,5	8038S08 71	8238S08 71	8338S08 71	ZS15/1-09/S8M	12	22	19	8	8	19	30,5	16	31	16,5	0,116
		10	M16x1,5	8038S10 75	8238S10 75	8338S10 75	ZS15/1-09/S10M	12	27	22	10	10	21	36	18	35	18,5	0,189
		12	M18x1,5	8038S12 78	8238S12 78	8338S12 78	ZS15/1-09/S12M	12	30	24	12	12	23	40,5	20	37	20,5	0,240
		14	M20x1,5	8038S14 80	8238S14 80	8338S14 80	ZS15/1-09/S14M	14	32	27	12	12	25	42	21	41	23	0,302
	250*	16	M22x1,5	8038S16 82	8238S16 82	8338S16 82	ZS15/1-09/S16M	14	36	30	14	14	27	46	23	41	22,5	0,389
		20	M27x2	8038S20 86	8238S20 86	8338S20 86	ZS15/1-09/S20M	16	46	36	17	17	32	57,5	28	49	27,5	0,578
		25	M33x2	8038S25 91	8238S25 91	8338S25 91	ZS15/1-09/S25M	18	50	46	22	22	39	63	32	55	31	1,014
		30	M42x2	8038S30 96	8238S30 96	8338S30 96	ZS15/1-09/S30M	20	60	50	27	27	49	75	37	63	36,5	1,568
		38	M48x2	8038S38 98	8238S38 98	8338S38 98	ZS15/1-09/S38M	22	70	60	32	32	55	85	42	72	41	2,428

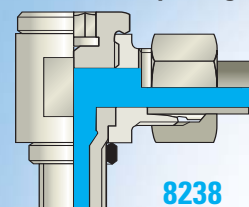
* Safety factor 1,6 mini

72

Technical characteristics

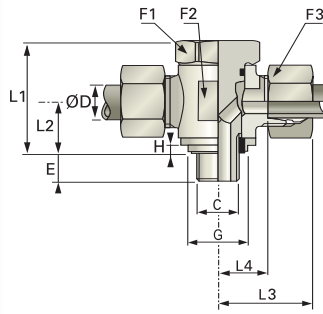
- Metal/metal sealing
- For low pressure
- Low pressure loss
- Safety coefficient : 1.6 minimum for series S
- Working pressure : 100 to 400 bar

90° full flow passage



High pressure double banjo couplings

BSP parallel



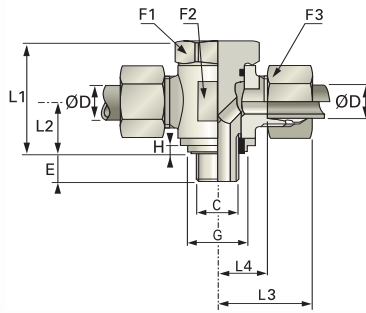
	PB	ØD	C	Body only	Double-bite ring	DiNova ring	Bell code	E	F1	F2	F3	G	H	L1	L2	L3	L4	MA* (Nm)		
L	400	6	G1/8	8029L06 10	8229L06 10	8329L06 10	ZS15/4-07/L6RF	8	19	19	14	14,9	1,5	21	10	28	13	25	0,085	
	8	G1/4	8029L08 13	8229L08 13	8329L08 13	ZS15/4-07/L8RF	12	22	22	17	18,9	2	27	13,5	29	14,5	50	0,145		
	10	G1/4	8029L10 13	8229L10 13	8329L10 13	ZS15/4-07/L10RF	12	22	22	19	18,9	2	27	13,5	30	15,5	50	0,165		
	12	G3/8	8029L12 17	8229L12 17	8329L12 17	ZS15/4-07/L12RF	12	27	27	22	22,9	2,5	33	16,5	33	18	90	0,235		
	15	G1/2	8029L15 21	8229L15 21	8329L15 21	ZS15/4-07/L15RF	14	32	32	27	26,9	3	42	19,5	37	22	130	0,380		
	18	G1/2	8029L18 21	8229L18 21	8329L18 21	ZS15/4-07/L18RF	14	32	36	32	26,9	3	43	21,5	38	21	150	0,450		
	315	22	G3/4	8029L22 27	8229L22 27	8329L22 27	ZS15/4-07/L22RF	16	41	46	36	32,9	3	48	24	45	27,5	250	0,795	
	28	G1"	8029L28 34	8229L28 34	8329L28 34	ZS15/4-07/L28RF	18	46	50	41	39,9	3	59,5	30,5	48	31,5	400	1,080		
250	35	G1"1/4	8029L35 42	8229L35 42	8329L35 42	ZS15/4-07/L35RF	20	60	60	50	49,9	3	70,5	35,5	57	35,5	600	1,720		
	42	G1"1/2	8029L42 49	8229L42 49	8329L42 49	ZS15/4-07/L42RF	22	65	70	60	55,9	3	80	40,5	63	40	800	2,750		
S	400	6	G1/4	8029S06 13	8229S06 13	8329S06 13	ZS15/4-07/S6RF	12	22	22	17	18,9	2	27	13,5	31	16,5	50	0,150	
	8	G1/4	8029S08 13	8229S08 13	8329S08 13	ZS15/4-07/S8RF	12	22	22	19	18,9	2	27	13,5	31	16,5	50	0,160		
	10	G3/8	8029S10 17	8229S10 17	8329S10 17	ZS15/4-07/S10RF	12	27	27	22	22,9	2,5	33	16,5	35	18,5	90	0,255		
	12	G3/8	8029S12 17	8229S12 17	8329S12 17	ZS15/4-07/S12RF	12	27	27	24	22,9	2,5	33	16,5	35	18,5	100	0,275		
	14	G1/2	8029S14 21	8229S14 21	8329S14 21	ZS15/4-07/S14RF	14	32	32	27	26,9	3	42	19,5	41	23	130	0,418		
	16	G1/2	8029S16 21	8229S16 21	8329S16 21	ZS15/4-07/S16RF	14	32	36	30	26,9	3	43	21,5	41	22	150	0,480		
	315	20	G3/4	8029S20 27	8229S20 27	8329S20 27	ZS15/4-07/S20RF	16	41	46	36	32,9	3	48	24	49	26,5	250	0,875	
	25	G1"	8029S25 34	8229S25 34	8329S25 34	ZS15/4-07/S25RF	18	46	50	46	39,9	3	59,5	30,5	55	31	400	1,320		
250	30	G1"1/4	8029S30 42	8229S30 42	8329S30 42	ZS15/4-07/S30RF	20	60	60	50	49,9	3	70,5	35,5	63	36,5	600	2,000		
	38	G1"1/2	8029S38 49	8229S38 49	8329S38 49	ZS15/4-07/S38RF	22	65	70	60	55,9	3	80	40,5	72	41	800	3,130		

* Recommended tightening torque for the banjo bolt

8229 : double banjo coupling for high pressure applications

High pressure double banjo couplings

metric parallel



	PB	ØD	C	Body only	Double-bite ring	DiNova ring	Bell code	E	F1	F2	F3	G	H	L1	L2	L3	L4	MA* (Nm)			
L	400	6	M10x1	8029L06 60	8229L06 60	8329L06 60	ZS15/4-07/L6MF	8	19	19	14	14,9	1,5	21	10	28	13	30	0,085		
		8	M12x1,5	8029L08 67	8229L08 67	8329L08 67	ZS15/4-07/L8MF	12	22	22	17	17,9	2	27	13,5	29	14,5	40	0,145		
		10	M14x1,5	8029L10 71	8229L10 71	8329L10 71	ZS15/4-07/L10MF	12	22	22	19	19,9	2	27	13,5	30	15,5	60	0,160		
		12	M16x1,5	8029L12 75	8229L12 75	8329L12 75	ZS15/4-07/L12MF	12	27	27	22	21,9	2	33	16,5	33	18	100	0,240		
		15	M18x1,5	8029L15 78	8229L15 78	8329L15 78	ZS15/4-07/L15MF	12	30	30	27	23,9	2,5	37	18,5	36	20,5	130	0,345		
		18	M22x1,5	8029L18 82	8229L18 82	8329L18 82	ZS15/4-07/L18MF	14	32	36	32	27,9	3	43	21,5	38	21	160	0,445		
		315	22	M26x1,5	8029L22 89	8229L22 89	8329L22 89	ZS15/4-07/L22MF	16	36	41	36	31,9	3	48	24	43	27	250	0,625	
		28	M33x2	8029L28 91	8229L28 91	8329L28 91	ZS15/4-07/L28MF	18	46	50	41	39,9	3	59,5	30,5	48	31,5	400	1,100		
		250	35	M42x2	8029L35 96	8229L35 96	8329L35 96	ZS15/4-07/L35MF	20	60	60	50	49,9	3	70,5	35,5	57	35,5	600	1,730	
	42	M48x2	8029L42 98	8229L42 98	8329L42 98	ZS15/4-07/L42MF	22	65	70	60	55,9	3	80	40,5	63	40	800	2,750			
S	400	6	M12x1,5	8029S06 67	8229S06 67	8329S06 67	ZS15/4-07/S6MF	12	22	22	17	17,9	2	27	13,5	31	16,5	40	0,150		
		8	M14x1,5	8029S08 71	8229S08 71	8329S08 71	ZS15/4-07/S8MF	12	22	22	19	19,9	2	27	13,5	31	16,5	60	0,160		
		10	M16x1,5	8029S10 75	8229S10 75	8329S10 75	ZS15/4-07/S10MF	12	27	27	22	21,9	2	33	16,5	35	18,5	100	0,255		
		12	M18x1,5	8029S12 78	8229S12 78	8329S12 78	ZS15/4-07/S12MF	12	30	30	24	23,9	2,5	37	18,5	37	20,5	130	0,345		
		14	M20x1,5	8029S14 80	8229S14 80	8329S14 80	ZS15/4-07/S14MF	12	32	32	27	25,9	2,5	42	19,5	41	23	160	0,413		
		16	M22x1,5	8029S16 82	8229S16 82	8329S16 82	ZS15/4-07/S16MF	14	32	36	30	27,9	3	43	21,5	41	22	160	0,450		
		315	20	M27x2	8029S20 86	8229S20 86	8329S20 86	ZS15/4-07/S20MF	16	41	46	36	32,9	3	48	24	49	26,5	250	0,855	
		25	M33x2	8029S25 91	8229S25 91	8329S25 91	ZS15/4-07/S25MF	18	46	50	46	39,9	3	59,5	30,5	55	31	400	1,330		
		250	30	M42x2	8029S30 96	8229S30 96	8329S30 96	ZS15/4-07/S30MF	20	60	60	50	49,9	3	70,5	35,5	63	36,5	600	1,990	
	38	M48x2	8029S38 98	8229S38 98	8329S38 98	ZS15/4-07/S38MF	22	65	70	60	55,9	3	80	40,5	72	41	800	3,120			

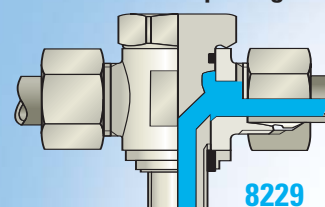
* Recommended tightening torque for the banjo bolt

74

Technical characteristics

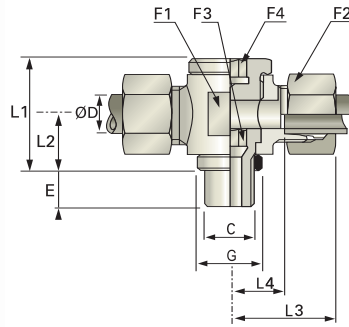
- PTFE seal
- For high pressure
- Low pressure loss
- Safety coefficient : 2.5
- Working pressure : 250 to 400 bar

45° internal passage



Chock-free double banjo couplings

BSP parallel

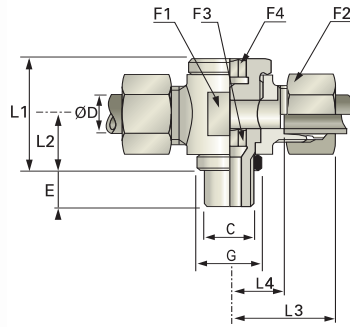


	PB	ØD	C	Body only	Double-bite ring	DiNova ring	Bell code	E	F1	F2	F3	F4	G	L1	L2	L3	L4	
L	250	6	G1/8	8039L06 10	8239L06 10	8339L06 10	ZS15/2-09/L6R	8	19	14	6	6	14	24	12	28	13	0,076
		8	G1/4	8039L08 13	8239L08 13	8339L08 13	ZS15/2-09/L8R	12	22	17	8	8	18	30,5	16	29	14,5	0,123
		10	G1/4	8039L10 13	8239L10 13	8339L10 13	ZS15/2-09/L10R	12	22	19	8	8	18	30,5	16	30	15,5	0,141
	100	12	G3/8	8039L12 17	8239L12 17	8339L12 17	ZS15/2-09/L12R	12	27	22	10	10	22	36	18	33	18	0,223
		15	G1/2	8039L15 21	8239L15 21	8339L15 21	ZS15/2-09/L15R	14	32	27	12	12	26	42	21	37	22	0,299
		18	G1/2	8039L18 21	8239L18 21	8339L18 21	ZS15/2-09/L18R	14	36	32	12	12	26	46	23,5	38	21,5	0,356
S	400*	22	G3/4	8039L22 27	8239L22 27	8339L22 27	ZS15/2-09/L22R	16	46	36	17	17	32	57,5	28	45	28,5	0,646
		6	G1/4	8039S06 13	8239S06 13	8339S06 13	ZS15/2-09/S6R	12	22	17	8	8	18	30,5	16	31	16,5	0,134
		8	G1/4	8039S08 13	8239S08 13	8339S08 13	ZS15/2-09/S8R	12	22	19	8	8	18	30,5	16	31	16,5	0,145
		10	G3/8	8039S10 17	8239S10 17	8339S10 17	ZS15/2-09/S10R	12	27	22	10	10	22	36	18	35	18,5	0,234
		12	G3/8	8039S12 17	8239S12 17	8339S12 17	ZS15/2-09/S12R	12	27	24	10	10	22	36	18	35	18,5	0,250
		16	G1/2	8039S16 21	8239S16 21	8339S16 21	ZS15/2-09/S16R	14	36	30	12	12	26	46	23,5	41	22,5	0,394
		20	G3/4	8039S20 27	8239S20 27	8339S20 27	ZS15/2-09/S20R	16	46	36	17	17	32	57,5	28	49	27,5	0,881

* Safety factor 1,6 mini

8239: chock-free banjo couplings are ideal for reducing pressure loss and optimizing the efficiency of a hydraulic system

Chock-free double banjo couplings metric parallel



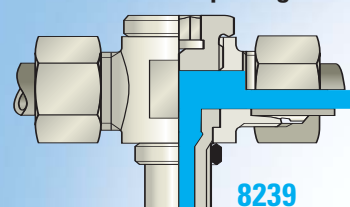
	PB	ØD	C	Body only	Double-bite ring	DiNova ring	Bell code	E	F1	F2	F3	F4	G	L1	L2	L3	L4	kg
L	250	6	M10x1	8039L06 60	8239L06 60	8339L06 60	ZS15/2-09/L6M	8	19	14	6	6	14	24	12	28	13	0,076
		8	M12x1,5	8039L08 67	8239L08 67	8339L08 67	ZS15/2-09/L8M	12	22	17	6	6	17	30,5	15	29	14,5	0,106
		10	M14x1,5	8039L10 71	8239L10 71	8339L10 71	ZS15/2-09/L10M	12	22	19	8	8	19	30,5	16	30	15,5	0,144
	100	12	M16x1,5	8039L12 75	8239L12 75	8339L12 75	ZS15/2-09/L12M	12	27	22	10	10	21	36	18	33	18	0,212
		15	M18x1,5	8039L15 78	8239L15 78	8339L15 78	ZS15/2-09/L15M	12	30	27	12	12	23	40,5	20	36	21	0,297
		18	M22x1,5	8039L18 82	8239L18 82	8339L18 82	ZS15/2-09/L18M	14	36	32	14	14	27	46	23	38	21,5	0,382
S	400*	22	M26x1,5	8039L22 89	8239L22 89	8339L22 89	ZS15/2-09/L22M	16	41	36	17	17	31	50,5	25	42	26	0,510
		6	M12x1,5	8039S06 67	8239S06 67	8339S06 67	ZS15/2-09/S6M	12	22	17	6	6	17	30,5	15	31	16,5	0,117
		8	M14x1,5	8039S08 71	8239S08 71	8339S08 71	ZS15/2-09/S8M	12	22	19	8	8	19	30,5	16	31	16,5	0,145
		10	M16x1,5	8039S10 75	8239S10 75	8339S10 75	ZS15/2-09/S10M	12	27	22	10	10	21	36	18	35	18,5	0,230
		12	M18x1,5	8039S12 78	8239S12 78	8339S12 78	ZS15/2-09/S12M	12	30	24	12	12	23	40,5	20	37	20,5	0,288
		16	M22x1,5	8039S16 82	8239S16 82	8339S16 82	ZS15/2-09/S16M	14	36	30	14	14	27	46	23	41	22,5	0,472
	20	M27x2	8039S20 86	8239S20 86	8339S20 86	ZS15/2-09/S20M	16	46	36	17	17	32	57,5	28	49	27,5	0,886	

* Safety factor 1,6 mini

Technical characteristics

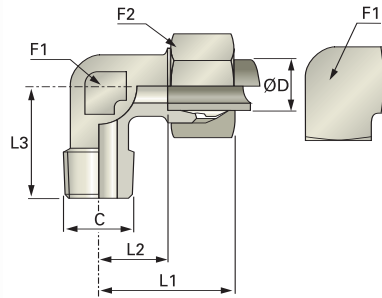
- Metal/metal sealing
- For low pressure
- Low pressure loss
- Safety coefficient : 1.6 minimum for series S
- Working Pressure : 100 to 400 bar

90° full flow passage



Male stud elbows

BSP taper
DIN 3852-2 form C

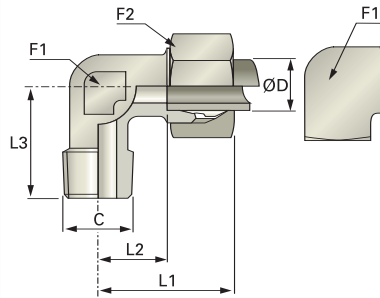


	PN	ØD	C	Body only	Single-bite ring	Double-bite ring	Bell code	F1*	F2	L1	L2	L3	kg
LL	100	4	R1/8	8009E04 10	8109E04 10		15-02/LL4R	11	10	21	11	18	0,022
		5	R1/8	8009E05 10	8109E05 10		15-02/LL5RK	11	12	22	10	17	0,023
		6	R1/8	8009E06 10	8109E06 10		15-02/LL6RK	11	12	22	10	17	0,023
		8	R1/8	8009E08 10	8109E08 10		15-02/LL8RK	12	14	23	11,5	20	0,032
		10	R1/4	8009E10 13	8109E10 13		15-02/LL10RK	14	17	27	15,5	26	0,049
		12	R1/4	8009E12 13	8109E12 13		15-02/LL12RK	17	19	27	15	27	0,073
L	315	6	R1/8	8009L06 10		8209L06 10	ZS15-02/L6RK	12	14	26	11,5	20	0,040
		6	R1/4	8009L06 13		8209L06 13	ZS15-02/L6RK1/4"	14	14	28,5	14	26	0,057
		8	R1/4	8009L08 13		8209L08 13	ZS15-02/L8RK	14	17	29	14	27	0,063
		8	R3/8	8009L08 17		8209L08 17	ZS15-02/L8RK3/8"	17	17	31,5	17	28	0,068
		10	R1/4	8009L10 13		8209L10 13	ZS15-02/L10RK	17	19	30	15	27	0,088
		10	R3/8	8009L10 17		8209L10 17	ZS15-02/L10RK3/8"	17	19	31,5	17	28	0,070
		12	R1/4	8009L12 13		8209L12 13	ZS15-02/L12RK1/4"	17	22	31,5	17	28	0,072
		12	R3/8	8009L12 17		8209L12 17	ZS15-02/L12RK	19	22	32	17	28	0,118
		12	R1/2	8009L12 21		8209L12 21	ZS15-02/L12RK1/2"	19	22	35,5	21	34	0,114
		15	R3/8	8009L15 17		8209L15 17	ZS15-02/L15RK3/8"	19	27	35,5	21	34	0,127
		15	R1/2	8009L15 21		8209L15 21	ZS15-02/L15RK	19	27	36	21	34	0,130
		18	R1/2	8009L18 21		8209L18 21	ZS15-02/L18RK	24	32	40	23,5	36	0,166
		22	R3/4	8009L22 27		8209L22 27	ZS15-02/L22RK	27	36	44	27,5	42	0,240
		28	R1"	8009L28 34		8209L28 34	ZS15-02/L28RK	36	41	47	30,5	48	0,380
42	R1"1/2	8009L42 49		8209L42 49	ZS15-02-/L42RK	50	60	63	40	61	0,830		
S	400	6	R1/4	8009S06 13		8209S06 13	ZS15-02/S6RK	14	17	31	16	27	0,070
		8	R1/4	8009S08 13		8209S08 13	ZS15-02/S8RK	17	19	32	17	27	0,094
		10	R3/8	8009S10 17		8209S10 17	ZS15-02/S10RK	19	22	34	17,5	28	0,133
		12	R3/8	8009S12 17		8209S12 17	ZS15-02/S12RK	22	24	38	21,5	28	0,168
		14	R1/2	8009S14 21		8209S14 21	ZS15-02/S14RK	19	27	40	22	32	0,153
		16	R1/2	8009S16 21		8209S16 21	ZS15-02/S16RK	24	30	43	24,5	32	0,189

* Models ØD 4 to 10mm are manufactured from profile steel
Models ØD > 10mm are manufactured from forged steel

Male stud elbows

metric taper
DIN 3852-1 form C

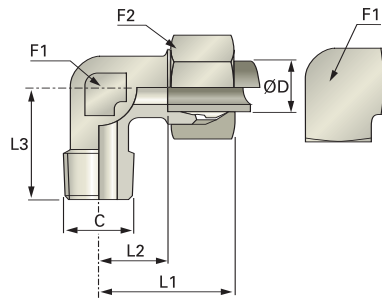


	PN	ØD	C	Body only	Single-bite ring	Double-bite ring	Bell code	F1*	F2	L1	L2	L3	kg
LL	100	4	M8x1	8009E04 56	8109E04 56		15-02/LL4MK	9	10	21	11	17	0,020
		5	M8x1	8009E05 56	8109E05 56		15-02/LL5MK	11	12	21	9,5	17	0,023
		6	M6x1	8009E06 52	8109E06 52		15-02/LL6MK6X1	9	12	21	9,5	17	0,023
		6	M8x1	8009E06 56	8109E06 56		15-02/LL6MK8X1	9	12	21	9,5	17	0,023
		6	M10x1	8009E06 60	8109E06 60		15-02/LL6MK	11	12	21	9,5	17	0,023
		8	M10x1	8009E08 60	8109E08 60		15-02/LL8MK	12	14	23	11,5	20	0,032
L	315	6	M10x1	8009L06 60		8209L06 60	ZS15-02/L6MK	12	14	27	12	20	0,040
		8	M12x1,5	8009L08 67		8209L08 67	ZS15-02/L8MK	14	17	29	14	26	0,063
		10	M14x1,5	8009L10 71		8209L10 71	ZS15-02/L10MK	17	19	30	15	27	0,088
		12	M16x1,5	8009L12 75		8209L12 75	ZS15-02/L12MK	19	22	32	17	28	0,118
		15	M18x1,5	8009L15 78		8209L15 78	ZS15-02/L15MK	19	27	36	21	32	0,120
		18	M22x1,5	8009L18 82		8209L18 82	ZS15-02/L18MK	24	32	40	23,5	36	0,166
S	400	6	M12x1,5	8009S06 67		8209S06 67	ZS15-02/S6MK	14	17	31	16	26	0,070
		8	M14x1,5	8009S08 71		8209S08 71	ZS15-02/S8MK	17	19	32	17	27	0,094
		10	M16x1,5	8009S10 75		8209S10 75	ZS15-02/S10MK	19	22	34	17,5	28	0,133
		12	M18x1,5	8009S12 78		8209S12 78	ZS15-02/S12MK	22	24	38	21,5	28	0,168
		14	M20x1,5	8009S14 80		8209S14 80	ZS15-02/S14MK	19	27	40	22	32	0,153
		16	M22x1,5	8009S16 82		8209S16 82	ZS15-02/S16MK	24	30	43	24,5	36	0,189

* Models ØD 4 to 10mm are manufactured from profile steel
Models ØD > 10mm are manufactured from forged steel

Male stud elbows

NPT

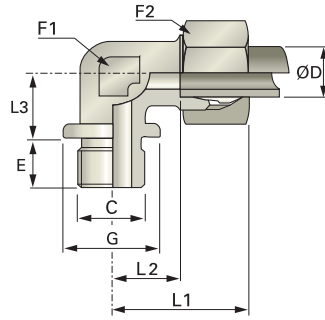


	PN	ØD	C	Body only	Single-bite ring	Double-bite ring	Bell code	F1*	F2	L1	L2	L3	kg
LL	100	4	1/8	8009E04 11	8109E04 11		15-02/LL4NPT	11	10	21	11	18	0,022
		6	1/8	8009E06 11	8109E06 11		15-02/LL6NPT	11	12	21	9,5	17	0,023
		8	1/8	8009E08 11	8109E08 11		15-02/LL8NPT	12	14	23	11,5	20	0,032
L	315	6	1/8	8009L06 11		8209L06 11	ZS15-02/L6NPT	12	14	27	12	20	0,040
		8	1/4	8009L08 14		8209L08 14	ZS15-02/L8NPT	14	17	29	14	26	0,063
		10	1/4	8009L10 14		8209L10 14	ZS15-02/L10NPT	17	19	30	15	27	0,088
		12	1/4	8009L12 14		8209L12 14	ZS15-02/L12NPT1/4"	17	22	32	17	28	0,110
		12	3/8	8009L12 18		8209L12 18	ZS15-02/L12NPT	19	22	32	17	28	0,118
	12	1/2	8009L12 22		8209L12 22	ZS15-02/L12NPT1/2"	19	22	36	21	34	0,130	
	15	1/2	8009L15 22		8209L15 22	ZS15-02/L15NPT	19	27	36	21	34	0,140	
	18	1/2	8009L18 22		8209L18 22	ZS15-02/L18NPT	24	32	40	23,5	36	0,165	
	22	3/4	8009L22 28		8209L22 28	ZS15-02/L22NPT	27	36	44	27,5	42	0,235	
	28	1"	8009L28 35		8209L28 35	ZS15-02/L28NPT	36	41	47	30,5	48	0,375	
160	35	1"1/4	8009L35 43		8209L35 43	ZS15-02/L35NPT	41	50	56	34,5	54	0,575	
	42	1"1/2	8009L42 50		8209L42 50	ZS15-02/L42NPT	50	60	62	39	61	0,830	
S	630	6	1/4	8009S06 14		8209S06 14	ZS15-02/S6NPT	14	17	31	16	26	0,070
		8	1/4	8009S08 14		8209S08 14	ZS15-02/S8NPT	17	19	32	17	27	0,094
		10	3/8	8009S10 18		8209S10 18	ZS15-02/S10NPT	19	22	34	17,5	28	0,133
		12	3/8	8009S12 18		8209S12 18	ZS15-02/S12NPT	22	24	38	21,5	28	0,168
		14	1/2	8009S14 22		8209S14 22	ZS15-02/S14NPT	19	27	40	22	34	0,166
	16	1/2	8009S16 22		8209S16 22	ZS15-02/S16NPT	24	30	43	24,5	36	0,200	
	20	3/4	8009S20 28		8209S20 28	ZS15-02/S20NPT	27	36	48	26,5	42	0,300	
	25	1"	8009S25 35		8209S25 35	ZS15-02/S25NPT	36	46	54	30	48	0,565	
	30	1"1/4	8009S30 43		8209S30 43	ZS15-02/S30NPT	41	50	62	35,5	54	0,820	
	315	38	1"1/2	8009S38 50		8209S38 50	ZS15-02/S38NPT	50	60	72	41	61	1,160

* Models ØD 4 to 12mm are manufactured from profile steel

Male stud elbows

BSP parallel
sealing bite
ISO 1179-4



	PN	ØD	C	Body only	Double-bite ring	Bell code	E	F1	F2	G	L1	L2	L3	kg
L	250	22	G ^{3/4}	8099L22 27	8299L22 27	ZS15-02/L22RB	16	27	36	32	44	27,5	26	0,246
		28	G1	8099L28 34	8299L28 34	ZS15-02/L28RB	18	36	41	39	47	30,5	30	0,347
		35	G1 ^{1/4}	8099L35 42	8299L35 42	ZS15-02/L35RB	20	41	50	49	56	34,5	34	0,612
		42	G1 ^{1/2}	8099L42 49	8299L42 49	ZS15-02/L42RB	22	50	60	55	63	40	39	0,846
S	400	20	G ^{3/4}	8099S20 27	8299S20 27	ZS15-02/S20RB	16	27	36	32	48	26,5	26	0,303
		25	G1	8099S25 34	8299S25 34	ZS15-02/S25RB	18	36	46	39	54	30	30	0,580
	250	30	G1 ^{1/4}	8099S30 42	8299S30 42	ZS15-02/S30RB	20	41	50	49	62	35,5	34	0,744
		38	G1 ^{1/2}	8099S38 49	8299S38 49	ZS15-02/S38RB	22	50	60	55	72	41	39	0,989

Male stud branch tees

BSP taper
DIN 3852-2 form C

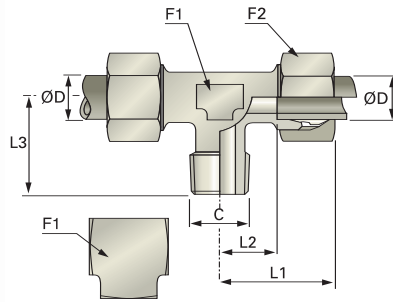


	PN	ØD	C	Body only	Single-bite ring	Double-bite ring	Bell code	F1*	F2	L1	L2	L3	kg
LL	100	4	R1/8	8008E04 10	8108E04 10		15-03/LL4RK	9	10	21	11	17	0,032
		6	R1/8	8008E06 10	8108E06 10		15-03/LL6RK	9	12	21	9,5	17	0,034
		8	R1/8	8008E08 10	8108E08 10		15-03/LL8RK	12	14	23	11,5	20	0,044
L	315	6	R1/8	8008L06 10		8208L06 10	ZS15-03/L6RK	12	14	27	12	20	0,059
		8	R1/4	8008L08 13		8208L08 13	ZS15-03/L8RK	14	17	29	14	26	0,087
		10	R1/4	8008L10 13		8208L10 13	ZS15-03/L10RK	17	19	30	15	27	0,119
		12	R3/8	8008L12 17		8208L12 17	ZS15-03/L12RK	19	22	32	17	28	0,156
		15	R1/2	8008L15 21		8208L15 21	ZS15-03/L15RK	19	27	36	21	34	0,215
		18	R1/2	8008L18 21		8208L18 21	ZS15-03/L18RK	24	32	40	23,5	36	0,304
S	400	6	R1/4	8008S06 13		8208S06 13	ZS15-03/S6RK	14	17	31	16	26	0,106
		8	R1/4	8008S08 13		8208S08 13	ZS15-03/S8RK	17	19	32	17	27	0,135
		10	R3/8	8008S10 17		8208S10 17	ZS15-03/S10RK	19	22	34	17,5	28	0,186
		12	R3/8	8008S12 17		8208S12 17	ZS15-03/S12RK	22	24	38	21,5	28	0,236
		14	R1/2	8008S14 21		8208S14 21	ZS15-03/S14RK	19	27	40	22	32	0,242
		16	R1/2	8008S16 21		8208S16 21	ZS15-03/S16RK	24	30	43	24,5	32	0,309

* Models ØD 4 to 10mm are manufactured from profile steel
Models ØD > 10mm are manufactured from forged steel.

Male stud branch tees

metric taper
DIN 3852-1 form C

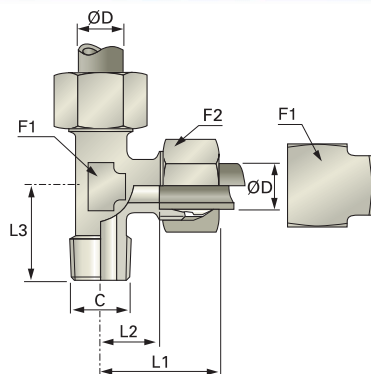


	PN	ØD	C	Body only	Single-bite ring	Double-bite ring	Bell code	F1*	F2	L1	L2	L3	kg
LL	100	4	M8x1	8008E04 56	8108E04 56		15-03/LL4MK	9	10	21	11	17	0,030
		6	M10x1	8008E06 60	8108E06 60		15-03/LL6MK	9	12	21	9,5	17	0,034
		8	M10x1	8008E08 60	8108E08 60		15-03/LL8MK	12	14	23	11,5	20	0,044
L	315	6	M10x1	8008L06 60		8208L06 60	ZS15-03/L6MK	12	14	27	12	20	0,059
		8	M12x1,5	8008L08 67		8208L08 67	ZS15-03/L8MK	14	17	29	14	26	0,087
		10	M14x1,5	8008L10 71		8208L10 71	ZS15-03/L10MK	17	19	30	15	27	0,119
		12	M16x1,5	8008L12 75		8208L12 75	ZS15-03/L12MK	19	22	32	17	28	0,156
		15	M18x1,5	8008L15 78		8208L15 78	ZS15-03/L15MK	19	27	36	21	32	0,205
		18	M22x1,5	8008L18 82		8208L18 82	ZS15-03/L18MK	24	32	40	23,5	36	0,304
S	400	6	M12x1,5	8008S06 67		8208S06 67	ZS15-03/S6MK	14	17	31	16	26	0,106
		8	M14x1,5	8008S08 71		8208S08 71	ZS15-03/S8MK	17	19	32	17	27	0,135
		10	M16x1,5	8008S10 75		8208S10 75	ZS15-03/S10MK	19	22	34	17,5	28	0,186
		12	M18x1,5	8008S12 78		8208S12 78	ZS15-03/S12MK	22	24	38	21,5	28	0,236
		14	M20x1,5	8008S14 80		8208S14 80	ZS15-03/S14MK	19	27	40	22	32	0,242
		16	M22x1,5	8008S16 82		8208S16 82	ZS15-03/S16MK	24	30	43	24,5	36	0,309

* Models ØD 4 to 10mm are manufactured from profile steel
Models ØD > 10mm are manufactured from forged steel

Male stud run tees

BSP taper
DIN 3852-2 form C

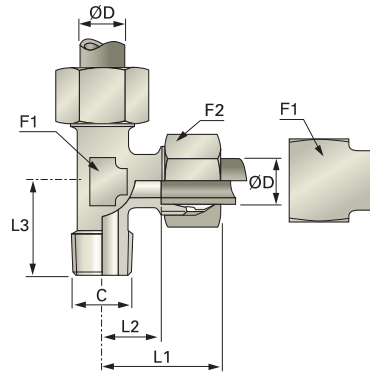


PN	ØD	C	Body only	Single-bite ring	Double-bite ring	Bell code	F1*	F2	L1	L2	L3	kg
LL	100	4 R1/8	8003E04 10	8103E04 10		15-04/LL4RK	11	10	21	11	17	0,032
		6 R1/8	8003E06 10	8103E06 10		15-04/LL6RK	11	12	21	9,5	17	0,034
		8 R1/8	8003E08 10	8103E08 10		15-04/LL8RK	12	14	23	11,5	20	0,046
L	315	6 R1/8	8003L06 10		8203L06 10	ZS15-04/L6RK	12	14	26	12	20	0,058
		8 R1/4	8003L08 13		8203L08 13	ZS15-04/L8RK	14	17	29	14	26	0,088
		10 R1/4	8003L10 13		8203L10 13	ZS15-04/L10RK	17	19	30	15	27	0,121
		12 R3/8	8003L12 17		8203L12 17	ZS15-04/L12RK	19	22	32	17	28	0,156
		15 R1/2	8003L15 21		8203L15 21	ZS15-04/L15RK	19	27	36	21	34	0,210
		18 R1/2	8003L18 21		8203L18 21	ZS15-04/L18RK	24	32	40	23,5	36	0,304
S	400	6 R1/4	8003S06 13		8203S06 13	ZS15-04/S6RK	14	17	31	16	26	0,105
		8 R1/4	8003S08 13		8203S08 13	ZS15-04/S8RK	17	19	32	17	27	0,137
		10 R3/8	8003S10 17		8203S10 17	ZS15-04/S10RK	19	22	34	17,5	28	0,196
		12 R3/8	8003S12 17		8203S12 17	ZS15-04/S12RK	22	24	38	21,5	28	0,246
		14 R1/2	8003S14 21		8203S14 21	ZS15-04/S14RK	19	27	40	22	32	0,252
		16 R1/2	8003S16 21		8203S16 21	ZS15-04/S16RK	24	30	43	24,5	32	0,323

* Models ØD 4 to 10mm are manufactured from profile steel
Models ØD > 10mm are manufactured from forged steel

Male stud run tees

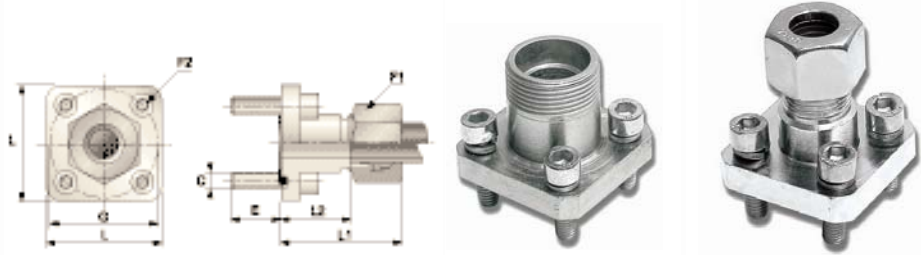
metric taper
DIN 3852-1 form C



PN	ØD	C	Body only	Single-bite ring	Double-bite ring	Bell code	F1*	F2	L1	L2	L3	kg
LL	100	4 M8x1	8003E04 56	8103E04 56		15-04/LL4MK	9	10	21	11	17	0,030
		6 M10x1	8003E06 60	8103E06 60		15-04/LL6MK	11	12	21	9,5	17	0,034
		8 M10x1	8003E08 60	8103E08 60		15-04/LL8MK	12	14	23	11,5	20	0,046
L	315	6 M10x1	8003L06 60		8203L06 60	ZS15-04/L6MK	12	14	27	12	20	0,058
		8 M12x1,5	8003L08 67		8203L08 67	ZS15-04/L8MK	14	17	29	14	26	0,088
		10 M14x1,5	8003L10 71		8203L10 71	ZS15-04/L10MK	17	19	30	15	27	0,121
		12 M16x1,5	8003L12 75		8203L12 75	ZS15-04/L12MK	19	22	32	17	28	0,156
		15 M18x1,5	8003L15 78		8203L15 78	ZS15-04/L15MK	19	27	36	21	32	0,200
		18 M22x1,5	8003L18 82		8203L18 82	ZS15-04/L18MK	24	32	40	23,5	36	0,304
S	400	6 M12x1,5	8003S06 67		8203S06 67	ZS15-04/S6MK	14	17	31	16	26	0,105
		8 M14x1,5	8003S08 71		8203S08 71	ZS15-04/S8MK	17	19	32	17	27	0,137
		10 M16x1,5	8003S10 75		8203S10 75	ZS15-04/S10MK	19	22	34	17,5	28	0,196
		12 M18x1,5	8003S12 78		8203S12 78	ZS15-04/S12MK	22	24	38	21,5	28	0,246
		14 M20x1,5	8003S14 80		8203S14 80	ZS15-04/S14MK	19	27	40	22	32	0,252
		16 M22x1,5	8003S16 82		8203S16 82	ZS15-04/S16MK	24	30	43	24,5	36	0,319

* Models ØD 4 to 10mm are manufactured from profile steel
Models ØD > 10mm are manufactured from forged steel

Straight flange couplings with square flange head



	PN	ØD	C	Body only	Double-bite ring	DiNova ring	Bell code	E	F1	F2	ØG	L	L1	L2	MA	
L	315	10	M6	8605L10 00	8625L10 00	8635L10 00	ZS15-25/L10-250	12.5	19	5	35	39	38	23	10	0.150
		12	M6	8605L12 00	8625L12 00	8635L12 00	ZS15-25/L12-250	12.5	22	5	35	39	38	23	10	0.150
	250	15	M6	8605L15 00	8625L15 00	8635L15 00	ZS15-25/L15-250	12.5	27	5	35	39	38	23	10	0.170
		15	M6	8605L15 01	8625L15 01	8635L15 01	ZS15-25/L15-100	12.5	27	5	40	42	43	28	10	0.210
	100	18	M6	8605L18 00	8625L18 00	8635L18 00	ZS15-25/L18-100	12.5	32	5	40	42	44	27.5	10	0.220
		22	M6	8605L22 00	8625L22 00	8635L22 00	ZS15-25/L22-100	12.5	36	5	40	42	44	27.5	10	0.230
	28	M6	8605L28 00	8625L28 00	8635L28 00	ZS15-25/L28-100	12.5	41	5	40	42	44	27.5	10	0.280	
S	315	16	M6	8605S16 00	8625S16 00	8635S16 00	ZS15-25/S16-315	12.5	30	5	35	39	40	21.5	10	0.210

Bodies only delivered with bolts

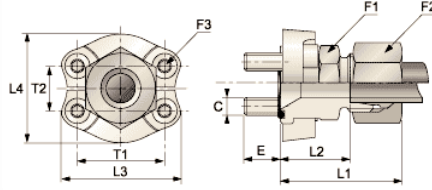
Elbow flange couplings with square flange head



	PN	ØD	C	Body only	Double-bite ring	DiNova ring	Bell code	E	F1	F2	ØG	L	L2	L3	L4	MA	
L	315	10	M6	8606L10 00	8626L10 00	8636L10 00	ZS15/1-25/L10-250	12.5	19	5	35	39	16.5	46	31	10	0.185
		12	M6	8606L12 00	8626L12 00	8636L12 00	ZS15/1-25/L12-250	12.5	22	5	35	39	16.5	46	31	10	0.196
	250	15	M6	8606L15 00	8626L15 00	8636L15 00	ZS15/1-25/L15-250	12.5	27	5	35	39	16.5	46	31	10	0.224
		15	M6	8606L15 01	8626L15 01	8636L15 01	ZS15/1-25/L15-100	12.5	27	5	40	42	22.5	46	31	10	0.212
	100	18	M6	8606L18 00	8626L18 00	8636L18 00	ZS15/1-25/L18-100	12.5	32	5	40	42	22.5	47	30.5	10	0.235
		22	M6	8606L22 00	8626L22 00	8636L22 00	ZS15/1-25/L22-100	12.5	36	5	40	42	22.5	47	30.5	10	0.283
	28	M6	8606L28 00	8626L28 00	8636L28 00	ZS15/1-25/L28-100	12.5	41	5	40	42	28	49	32.5	10	0.371	
	35	M6	8606L35 00	8626L35 00	8636L35 00	ZS15/1-25/L35-100	12.5	50	5	40	42	32	52	30.5	10	0.550	
S	315	16	M6	8606S16 00	8626S16 00	8636S16 00	ZS15/1-25/S16-315	12.5	30	5	35	39	20	48	29.5	10	0.272
		20	M6	8606S20 00	8626S20 00	8636S20 00	ZS15/1-25/S20-315	12.5	36	5	35	39	25	56	34.5	10	0.387
	250	20	M8	8606S20 02	8626S20 02	8636S20 02	ZS15/1-25/S20-250	12.5	36	5	40	42,5	22,5	51	29.5	25	0.344
		25	M8	8606S25 00	8626S25 00	8636S25 00	ZS15/1-25/S25-250	12.5	46	6	55	58	30	61	37	25	0.775
	30	M8	8606S30 00	8626S30 00	8636S30 00	ZS15/1-25/S30-250	12.5	50	6	55	58	32	62	35.5	25	0.820	

Bodies only delivered with bolts.

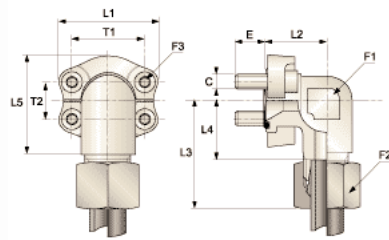
Straight flange couplings SAE (3000 PSI)



	PN	ØD	C	type	Body only	Double-bite ring	DiNova ring	Bell code	E	F1	F2	F3	L1	L2	L3	L4	T1	T2	MA	
L	350	15	M8	1/2"	8601L15 62	8621L15 62	8631L15 62	ZS15/3-80/L15-1/2"	16.5	24	27	6	56	41	54	46	38.1	17.5	25	0.363
	315	18	M10	3/4"	8601L18 69	8621L18 69	8631L18 69	ZS15/3-80/L18-3/4"	20.5	30	32	8	62	45.5	65	52	47.6	22.3	49	0.592
		22	M10	3/4"	8601L22 69	8621L22 69	8631L22 69	ZS15/3-80/L22-3/4"	20.5	30	36	8	62	45.5	65	52	47.6	22.3	49	0.574
	250	28	M10	1"	8601L28 75	8621L28 75	8631L28 75	ZS15/3-80/L28-1"	18.5	36	41	8	63	46.5	70	59	52.4	26.2	49	0.738
		35	M12	1 1/4"	8601L35 82	8621L35 82	8631L35 82	ZS15/3-80/L35-1 1/4"	25.5	41	50	10	69	47.5	79	73	58.7	30.2	85	1.007
210	42	M12	1 1/2"	8601L42 88	8621L42 88	8631L42 88	ZS15/3-80/L42-1 1/2"	23.5	46	60	10	76	53	94	82	69.9	35.7	85	1.440	
S	350	16	M8	1/2"	8601S16 62	8621S16 62	8631S16 62	ZS15/3-80/S16-1/2"	16.5	24	30	6	60	41.5	54	46	38.1	17.5	25	0.396
		20	M10	3/4"	8601S20 69	8621S20 69	8631S20 69	ZS15/3-80/S20-3/4"	20.5	30	36	8	68	46.5	65	52	47.6	22.3	49	0.648
		25	M10	3/4"	8601S25 69	8621S25 69	8631S25 69	ZS15/3-80/S25-3/4"	20.5	30	46	8	69	45	65	52	47.6	22.3	49	0.759
	280	30	M10	1"	8601S30 75	8621S30 75	8631S30 75	ZS15/3-80/S30-1"	18.5	36	50	8	76	49.5	70	59	52.4	26.2	49	0.974
		25	M12	1 1/4"	8601S25 82	8621S25 82	8631S25 82	ZS15/3-80/S25-1 1/4"	25.5	41	46	10	72	48	79	73	58.7	30.2	85	1.182
	210	30	M12	1 1/4"	8601S30 82	8621S30 82	8631S30 82	ZS15/3-80/S30-1 1/4"	25.5	41	50	10	75	48.5	79	73	58.7	30.2	85	1.190
		38	M12	1 1/4"	8601S38 82	8621S38 82	8631S38 82	ZS15/3-80/S38-1 1/4"	25.5	46	60	10	81	50	79	73	58.7	30.2	85	1.380
210	38	M12	1 1/2"	8601S38 88	8621S38 88	8631S38 88	ZS15/3-80/S38-1 1/2"	23.5	46	60	10	85	54	94	82	69.9	35.7	85	1.680	

Bodies only delivered with bolts

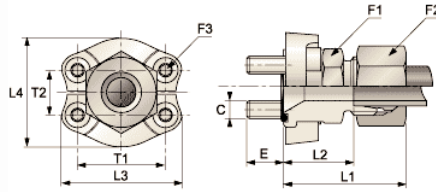
Elbow flange couplings SAE (3000 PSI)



	PN	ØD	C	type	Body only	Double-bite ring	DiNova ring	Bell code	E	F1	F2	F3	L1	L2	L3	L4	L5	T1	T2	MA	
L	350	15	M8	1/2"	8602L15 62	8622L15 62	8632L15 62	ZS15/3-81L15-1/2"	16.5	24	27	6	54	36	44	29	46	38.1	17.5	25	0.400
	315	18	M10	3/4"	8602L18 69	8622L18 69	8632L18 69	ZS15/3-81L18-3/4"	20.5	30	32	8	65	42	48	31.5	52	47.6	22.3	49	0.672
		22	M10	3/4"	8602L22 69	8622L22 69	8632L22 69	ZS15/3-81L22-3/4"	20.5	30	36	8	65	42	50	33.5	52	47.6	22.3	49	0.664
	250	28	M10	1"	8602L28 75	8622L28 75	8632L28 75	ZS15/3-81L28-1"	18.5	36	41	8	70	45	53	36.5	59	52.4	26.2	49	0.878
		35	M12	1 1/4"	8602L35 82	8622L35 82	8632L35 82	ZS15/3-81L35-1 1/4"	25.5	41	50	10	79	50	68	46.5	73	58.7	30.2	85	1.227
210	42	M12	1 1/2"	8602L42 88	8622L42 88	8632L42 88	ZS15/3-81L42-1 1/2"	23.5	50	60	10	94	55	70	47	82	69.9	35.7	85	1.630	
S	350	16	M8	1/2"	8602S16 62	8622S16 62	8632S16 62	ZS15/3-81S16-1/2"	16.5	24	30	6	54	36	48	29.5	46	38.1	17.5	25	0.430
		20	M10	3/4"	8602S20 69	8622S20 69	8632S20 69	ZS15/3-81S20-3/4"	20.5	30	36	8	65	42	54	32.5	52	47.6	22.3	49	0.740
		25	M10	3/4"	8602S25 69	8622S25 69	8632S25 69	ZS15/3-81S25-3/4"	20.5	30	46	8	65	42	57	33	52	47.6	22.3	49	0.840
	280	30	M10	1"	8602S30 75	8622S30 75	8632S30 75	ZS15/3-81S30-1"	18.5	36	50	8	70	45	63	36.5	59	52.4	26.2	49	1.060
		25	M12	1 1/4"	8602S25 82	8622S25 82	8632S25 82	ZS15/3-81S25-1 1/4"	25.5	41	46	10	79	50	67	43	73	58.7	30.2	85	1.492
	210	30	M12	1 1/4"	8602S30 82	8622S30 82	8632S30 82	ZS15/3-81S30-1 1/4"	25.5	41	50	10	79	50	70	43.5	73	58.7	30.2	85	1.450
		38	M12	1 1/4"	8602S38 82	8622S38 82	8632S38 82	ZS15/3-81S38-1 1/4"	25.5	41	60	10	79	50	79	43	73	68.7	30.2	85	1.520
210	38	M12	1 1/2"	8602S38 88	8622S38 88	8632S38 88	ZS15/3-81S38-1 1/2"	23.5	50	60	10	94	55	79	48	82	69.9	35.7	85	1.950	

Bodies only delivered with bolts

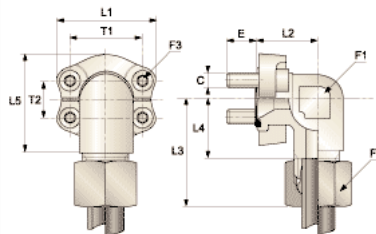
Straight flange couplings SAE (6000 PSI)



PN	ØD	C	type				Bell code	E	F1	F2	F3	L1	L2	L3	L4	T1	T2	MA		
				Body only	Double-bite ring	DiNova ring														
S	400	16	M8	1/2"	8603S16 62	8623S16 62	8633S16 62	ZS15/6-80/S16-1/2"	18.5	24	30	6	63	44.5	56	47	40.5	18.2	25	0.455
		16	M10	3/4"	8603S16 69	8623S16 69	8633S16 69	ZS15/6-80/S16-3/4"	15.5	30	30	8	69	50.5	71	60	50.8	23.8	49	0.832
		20	M10	3/4"	8603S20 69	8623S20 69	8633S20 69	ZS15/6-80/S20-3/4"	15.5	30	36	8	72	50.5	71	60	50.8	23.8	49	0.862
		25	M10	3/4"	8603S25 69	8623S25 69	8633S25 69	ZS15/6-80/S25-3/4"	15.5	30	46	8	75	51	71	60	50.8	23.8	49	0.984
		25	M12	1"	8603S25 75	8623S25 75	8633S25 75	ZS15/6-80/S25-1"	20.5	36	46	10	84	60	81	70	57.2	27.8	85	1.380
		30	M12	1"	8603S30 75	8623S30 75	8633S30 75	ZS15/6-80/S30-1"	20.5	36	50	10	87	60.5	81	70	57.2	27.8	85	1.410
		30	M14	1 1/4"	8603S30 82	8623S30 82	8633S30 82	ZS15/6-80/S30 1 1/4"	22.5	41	50	12	92	65.5	95	77	66.7	31.8	135	1.980
315	38	M14	1 1/4"	8603S38 82	8623S38 82	8633S38 82	ZS15/6-80/S38-1 1/4"	22.5	46	60	12	98	67	95	77	66.7	31.8	135	2.130	
	38	M16	1 1/2"	8603S38 88	8623S38 88	8633S38 88	ZS15/6-80/S38-1 1/2"	24.5	46	60	14	104	73	113	95	79.4	36.5	210	2.980	

Bodies only delivered with bolts

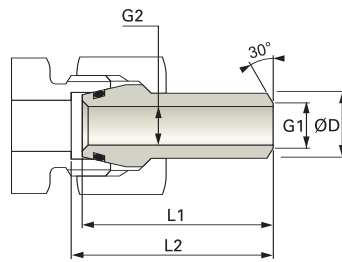
Elbow flange couplings SAE (6000 PSI)



PN	ØD	C	type				Bell code	E	F1	F2	F3	L1	L2	L3	L4	L5	T1	T2	MA		
				Body only	Double-bite ring	DiNova ring															
S	400	16	M8	1/2"	8604S16 62	8624S16 62	8634S16 62	ZS15/6-81/S16-1/2"	18.5	24	30	6	56	39	48	29.5	47	40.5	18.2	25	0.483
		16	M10	3/4"	8604S16 69	8624S16 69	8634S16 69	ZS15/6-81/S16-3/4"	15.5	32	30	8	71	48	55	36.5	60	50.8	23.8	49	0.992
		20	M10	3/4"	8604S20 69	8624S20 69	8634S20 69	ZS15/6-81/S20-3/4"	15.5	32	36	8	71	48	57	35.5	60	50.8	23.8	49	0.982
		25	M10	3/4"	8604S25 69	8624S25 69	8634S25 69	ZS15/6-81/S25-3/4"	15.5	32	46	8	71	48	60	36	60	50.8	23.8	49	1.694
		25	M12	1"	8604S25 75	8624S25 75	8634S25 75	ZS15/6-81/S25-1"	20.5	41	46	10	81	60	65	41	70	57.2	27.8	85	1.680
		30	M12	1"	8604S30 75	8624S30 75	8634S30 75	ZS15/6-81/S30-1"	20.5	41	50	10	81	60	68	41.5	70	57.2	27.8	85	1.630
		30	M14	1 1/4"	8604S30 82	8624S30 82	8634S30 82	ZS15/6-81/S30-1 1/4"	22.5	46	50	12	95	68	71	44.5	77	66.7	31.8	135	2.360
315	38	M14	1 1/4"	8604S38 82	8624S38 82	8634S38 82	ZS15/6-81/S38-1 1/4"	22.5	46	60	12	95	68	76	45	77	66.7	31.8	135	2.320	
	38	M16	1 1/2"	8604S38 88	8624S38 88	8634S38 88	ZS15/6-81/S38-1 1/2"	24.5	50	60	14	113	76	87	56	95	79.4	36.5	210	3.580	

Bodies only delivered with bolts

Straight weld nipples

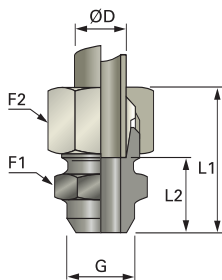


	ØD mm		Bell code	G1	G2	L1	L2	O-ring	Calculated pressure	For precision steel tube DIN 2391	
L	6	8020S06 00	14-002/S6	2,5	3	31,2	32	4x1,5	365	6x1	0,008
	8	8020S08 00	14-002/S8	4	4,5	31,2	32	6x1,5	259	8x1	0,010
	10	8020S10 00	14-002/S10	6	6,5	32,7	33	7,5x1,5	201	10x1	0,014
	12	8020S12 00	14-002/S12	7,5	8	32,7	33	9x1,5	259	12x1,5	0,017
	15	8020L15 00	14-002/L15	10	10,5	34,7	35	12x2	201	15x1,5	0,026
	15	8020L15 00	14-002/L15	10	10,5	34,7	35	12x2	259	15x2	0,026
	15	8020L15 00	14-002/L15	10	10,5	34,7	35	12x2	365	15x2,5	0,026
	18	8020L18 00	14-002/L18	13	13,5	35,5	37	15x2	164	18x1,5	0,034
	18	8020L18 00	14-002/L18	13	13,5	35,5	37	15x2	226	18x2	0,034
	18	8020L18 00	14-002/L18	13	13,5	35,5	37	15x2	293	18x2,5	0,034
	22	8020L22 00	14-002/L22	17	17,5	38	39,5	20x2	181	22x2	0,046
	22	8020L22 00	14-002/L22	17	17,5	38	39,5	20x2	232	22x2,5	0,046
	28	8020L28 00	14-002/L28	23	24	41	42,5	26x2	139	28x2	0,065
	28	8020L28 00	14-002/L28	23	24	41	42,5	26x2	177	28x2,5	0,065
	35	8020L35 00	14-002/L35	29	29,5	47	49,5	32x2,5	109	35x2	0,112
	35	8020L35 00	14-002/L35	29	29,5	47	49,5	32x2,5	169	35x3	0,112
	42	8020L42 00	14-002/L42	36	36,5	47	50	38x2,5	139	42x3	0,136
	S	6	8020S06 00	14-002/S6	3	2,5	31,2	32	4x1,5	624	6x1,5
8		8020S08 00	14-002/S8	4,5	4	31,2	32	6x1,5	423	8x1,5	0,010
8		8020S08 00	14-002/S8	4,5	4	31,2	32	6x1,5	624	8x2	0,010
10		8020S10 00	14-002/S10	6,5	6	32,7	33,5	7,5x1,5	321	10x1,5	0,014
10		8020S10 00	14-002/S10	6,5	6	32,7	33,5	7,5x1,5	460	10x2	0,014
12		8020S12 00	14-002/S12	8	7,5*	32,7	33,5	9x1,5	365	12x2	0,017
12		8020S12 30	14-002/S12X3	6,5	6*	32,7	33,5	9x1,5	485	12x2,5	0,022
12		8020S12 30	14-002/S12X3	6,5	6*	32,7	33,5	9x1,5	624	12x3	0,022
14**		8020S14 00	14-002/S14X3	8,5	8	38	40	10x2	303	14x2	0,032
14**		8020S14 00	14-002/S14X3	8,5	8	38	40	10x2	398	14x2,5	0,032
14**		8020S14 00	14-002/S14X3	8,5	8	38	40	10x2	504	14x3	0,032
16		8020S16 00	14-002/S16	10,5	10*	38	40,5	12x2	259	16x2	0,037
16		8020S16 00	14-002/S16	10,5	10*	38	40,5	12x2	337	16x2,5	0,037
16		8020S16 00	14-002/S16	10,5	10*	38	40,5	12x2	423	16x3	0,037
20		8020S20 00	14-002/S20	13,5	13*	44	47	16,3x2,4	259	20x2,5	0,063
20		8020S20 00	14-002/S20	13,5	13*	44	47	16,3x2,4	321	20x3	0,063
20		8020S20 00	14-002/S20	13,5	13*	44	47	16,3x2,4	388	20x3,5	0,063
20		8020S20 40	14-002/S20X4	12,5	16*	44	47	16,3x2,4	460	20x4	0,070
25		8020S25 00	14-002/S25	17	16*	49	53,5	20,3x2,4	247	25x3	0,112
25		8020S25 00	14-002/S25	17	16*	49	53,5	20,3x2,4	347	25x4	0,112
30		8020S30 00	14-002/S30	24,5	24	52	57,5	25,3x2,5	201	30x3	0,103
30		8020S30 40	14-002/S30X4	22,5	22*	52	57,5	25,3x2,4	279	30x4	0,133
30		8020S30 50	14-002/S30X6	18,5	18*	52	57,5	25,3x2,4	365	30x5	0,185
30		8020S30 50	14-002/S30X6	18,5	18*	52	57,5	25,3x2,4	460	30x6	0,185
38	8020S38 00	14-002/S38	30,5	30*	56,5	64,5	33,3x2,4	213	38x4	0,189	
38	8020S38 60	14-002/S38X6	26,5	26*	56,5	64,5	33,3x2,4	275	38x5	0,267	
38	8020S38 60	14-002/S38X6	26,5	26*	56,5	64,5	33,3x2,4	342	38x6	0,267	

* bore diameter differs between DIN 3865 A and ISO 8434-4

** not included in DIN 3865 A and ISO 8434-4

Butt weld straight couplings



	PN	ØD	Body only	Double-bite ring	DiNova ring	Bell code	F1	F2	G	L1	L2	
L	400	6	8031L06 10	8231L06 10	8331L06 10	ZS15-20/L6	12	14	10	29	14	0,025
		8	8031L08 12	8231L08 12	8331L08 12	ZS15-20/L8	14	17	12	31	16	0,036
		10	8031L10 14	8231L10 14	8331L10 14	ZS15-20/L10	17	19	14	33	18	0,047
		12	8031L12 16	8231L12 16	8331L12 16	ZS15-20/L12	19	22	16	33	18	0,063
		15	8031L15 19	8231L15 19	8331L15 19	ZS15-20/L15	22	27	19	37	22	0,084
	315	18	8031L18 22	8231L18 22	8331L18 22	ZS15-20/L18	27	32	22	40	23,5	0,139
		22	8031L22 27	8231L22 27	8331L22 27	ZS15-20/L22	32	36	27	45	28,5	0,181
		28	8031L28 32	8231L28 32	8331L28 32	ZS15-20/L28	41	41	32	47	30,5	0,302
	250	35	8031L35 40	8231L35 40	8331L35 40	ZS15-20/L35	46	50	40	54	32,5	0,377
		42	8031L42 46	8231L42 46	8331L42 46	ZS15-20/L42	55	60	46	58	35	0,641
S	630	6	8031S06 11	8231S06 11	8331S06 11	ZS15-20/S6	14	17	11	34	19	0,032
		8	8031S08 13	8231S08 13	8331S08 13	ZS15-20/S8	17	19	13	36	21	0,049
		10	8031S10 15	8231S10 15	8331S10 15	ZS15-20/S10	19	22	15	39	22,5	0,072
		12	8031S12 17	8231S12 17	8331S12 17	ZS15-20/S12	22	24	17	41	24,5	0,083
		14	8031S14 19	8231S14 19	8331S14 19	ZS15-20/S14	24	27	19	45	27	0,108
	400	16	8031S16 21	8231S16 21	8331S16 21	ZS15-20/S16	27	30	21	45	26,5	0,144
		20	8031S20 26	8231S20 26	8331S20 26	ZS15-20/S20	32	36	26	51	29,5	0,218
		25	8031S25 31	8231S25 31	8331S25 31	ZS15-20/S25	41	46	31	56	32	0,377
		30	8031S30 36	8231S30 36	8331S30 36	ZS15-20/S30	46	50	36	62	35,5	0,449
		315	38	8031S38 44	8231S38 44	8331S38 44	ZS15-20/S38	55	60	44	69	38

body: material C 15.

Bell code

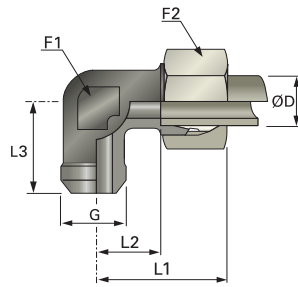
These part numbers are given as a general guide and correspond to double-bite ring models.



Bell code

8331L06 10 ZS 15-20/L6

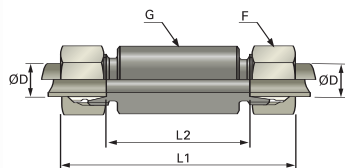
Butt weld elbow couplings



PN	ØD				Bell code	F1	F2	G	L1	L2	L3		
		Body only	Double-bite ring	DiNova ring									
L	400	6	8032L06 10	8232L06 10	8332L06 10	ZS15/1-20/L6	12	14	10	27	12	18,5	0,030
	8	8032L08 12	8232L08 12	8332L08 12	ZS15/1-20/L8	12	17	12	29	14	21	0,036	
	10	8032L10 14	8232L10 14	8332L10 14	ZS15/1-20/L10	14	19	14	30	15	22	0,052	
	12	8032L12 16	8232L12 16	8332L12 16	ZS15/1-20/L12	17	22	16	32	17	24	0,073	
	15	8032L15 19	8232L15 19	8332L15 19	ZS15/1-20/L15	19	27	19	36	21	28	0,120	
	315	18	8032L18 22	8232L18 22	8332L18 22	ZS15/1-20/L18	24	32	22	40	23,5	30	0,166
	22	8032L22 27	8232L22 27	8332L22 27	ZS15/1-20/L22	27	36	27	44	27,5	42	0,246	
	28	8032L28 32	8232L28 32	8332L28 32	ZS15/1-20/L28	36	41	32	47	30,5	48	0,347	
	250	35	8032L35 40	8232L35 40	8332L35 40	ZS15/1-20/L35	41	50	40	56	34,5	54	0,612
	42	8032L42 46	8232L42 46	8332L42 46	ZS15/1-20/L42	50	60	46	63	40	61	0,846	
S	630	6	8032S06 11	8232S06 11	8332S06 11	ZS15/1-20/S6	12	17	11	31	16	23	0,052
	8	8032S08 13	8232S08 13	8332S08 13	ZS15/1-20/S8	14	19	13	32	17	22,5	0,064	
	10	8032S10 15	8232S10 15	8332S10 15	ZS15/1-20/S10	17	22	15	34	17,5	23,5	0,097	
	12	8032S12 17	8232S12 17	8332S12 17	ZS15/1-20/S12	17	24	17	38	21,5	23,5	0,108	
	14	8032S14 19	8232S14 19	8332S14 19	ZS15/1-20/S14	19	27	19	40	22	25,5	0,153	
	16	8032S16 21	8232S16 21	8332S16 21	ZS15/1-20/S16	24	30	21	43	24,5	33	0,189	
	400	20	8032S20 26	8232S20 26	8332S20 26	ZS15/1-20/S20	27	36	26	48	26,5	42	0,303
	25	8032S25 31	8232S25 31	8332S25 31	ZS15/1-20/S25	36	46	31	54	30	48	0,580	
	30	8032S30 36	8232S30 36	8332S30 36	ZS15/1-20/S30	41	50	36	62	35,5	54	0,744	
	315	38	8032S38 44	8232S38 44	8332S38 44	ZS15/1-20/S38	50	60	44	72	41	57	0,989

body: material C 15.

Bulkhead straight weld couplings

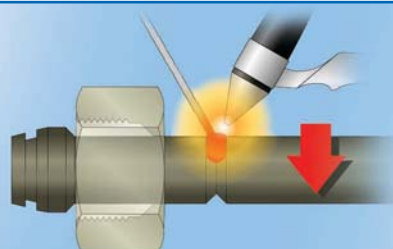


	PN	ØD	Body only	Double-bite ring	DiNova ring	Bell code	F	G	L1	L2	kg	
L	400	6	8033L06 18	8233L06 18	8333L06 18	ZS15-21/L6	14	18	85	56	0,131	
		8	8033L08 20	8233L08 20	8333L08 20	ZS15-21/L8	17	20	85	56	0,162	
		10	8033L10 22	8233L10 22	8333L10 22	ZS15-21/L10	19	22	87	58	0,195	
		12	8033L12 25	8233L12 25	8333L12 25	ZS15-21/L12	22	25	87	58	0,241	
		15	8033L15 28	8233L15 28	8333L15 28	ZS15-21/L15	27	28	100	70	0,353	
	315	18	8033L18 32	8233L18 32	8333L18 32	ZS15-21/L18	32	32	101	69	0,469	
		22	8033L22 36	8233L22 36	8333L22 36	ZS15-21/L22	36	36	105	73	0,582	
		250	28	8033L28 40	8233L28 40	8333L28 40	ZS15-21/L28	41	40	106	73	0,660
			35	8033L35 50	8233L35 50	8333L35 50	ZS15-21/L35	50	50	114	71	1,029
			42	8033L42 60	8233L42 60	8333L42 60	ZS15-21/L42	60	60	115	70	1,488
S	630	6	8033S06 20	8233S06 20	8333S06 20	ZS15-21/S6	17	20	89	60	0,169	
		8	8033S08 22	8233S08 22	8333S08 22	ZS15-21/S8	9	22	89	60	0,204	
		10	8033S10 25	8233S10 25	8333S10 25	ZS15-21/S10	22	25	91	59	0,270	
		12	8033S12 28	8233S12 28	8333S12 28	ZS15-21/S12	24	28	91	59	0,331	
		14	8033S14 30	8233S14 30	8333S14 30	ZS15-21/S14	27	30	107	72	0,447	
	400	16	8033S16 35	8233S16 35	8333S16 35	ZS15-21/S16	30	35	107	71	0,578	
		20	8033S20 38	8233S20 38	8333S20 38	ZS15-21/S20	36	38	114	71	0,732	
		25	8033S25 45	8233S25 45	8333S25 45	ZS15-21/S25	46	45	120	72	1,146	
		30	8033S30 50	8233S30 50	8333S30 50	ZS15-21/S30	50	50	126	73	1,344	
		315	38	8033S38 60	8233S38 60	8333S38 60	ZS15-21/S38	60	60	133	72	1,913

body: material C 15.

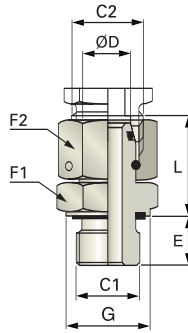
Discover it on legris.com

- In one click, display an **animated presentation** of how these couplings are assembled.



Male stud standpipe (DKO)

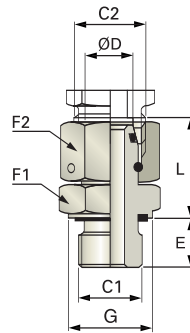
BSP parallel
elastomer seal
ISO 1179-2
24° sealing cone and O-ring



	PN	ØD	C1	C2		Bell code	E	F1	F2	G	L	O-ring	
L	6	G1/8	M12x1,5	8501L06 10	14-28/L6RD-DM	8	14	14	13,9	24,5	4x1,5	0,024	
	8	G1/4	M14x1,5	8501L08 13	14-28/L8RD-DM	12	19	17	18,9	29,5	6x1,5	0,055	
	10	G1/4	M16x1,5	8501L10 13	14-28/L10RD-DM	12	19	19	18,9	27,5	7,5x1,5	0,053	
	10	G3/8	M16x1,5	8501L10 17	14-28/L10RD3/8"-DM	12	22	19	21,9	34	7,5x1,5	0,060	
	12	G1/4	M18x1,5	8501L12 13	14-28/L12RD1/4"-DM	12	19	22	18,9	34	9x1,5	0,080	
	12	G3/8	M18x1,5	8501L12 17	14-28/L12RD-DM	12	22	22	21,9	34	9x1,5	0,100	
	12	G1/2	M18x1,5	8501L12 21	14-28/L12RD1/2"-DM	14	27	22	26,9	30,5	9x1,5	0,100	
	15	G1/2	M22x1,5	8501L15 21	14-28/L15RD-DM	14	27	27	26,9	32	12x2	0,128	
	18	G1/2	M26x1,5	8501L18 21	14-28/L18RD-DM	14	27	32	26,9	31,5	15x2	0,143	
	22	G3/4	M30x2	8501L22 27	14-28/L22RD-DM	16	32	36	31,9	32,5	20x2	0,207	
	28	G1	M36x2	8501L28 34	14-28/L28RD-DM	18	41	41	39,9	35	26x2	0,290	
	35	G1"1/4	M45x2	8501L35 42	14-28/L35RD-DM	20	50	50	49,9	42,5	32x2,5	0,503	
	42	G1"1/2	M52x2	8501L42 49	14-28/L42RD-DM	22	55	60	54,9	46,5	38x2,5	0,596	
	S	6	G1/4	M14x1,5	8501S06 13	14-28/S6RD-DM	12	19	17	18,9	27	4x1,5	0,048
		8	G1/4	M16x1,5	8501S08 13	14-28/S8RD-DM	12	19	19	18,9	29,5	6x1,5	0,057
10		G3/8	M18x1,5	8501S10 17	14-28/S10RD-DM	12	22	22	21,9	32	7,5x1,5	0,086	
12		G3/8	M20x1,5	8501S12 17	14-28/S12RD-DM	12	22	24	21,9	34	9x1,5	0,101	
12		G1/2	M20x1,5	8501S12 21	14-28/S12RD1/2"-DM	14	27	24	26,9	34,5	9x1,5	0,110	
14		G1/2	M22x1,5	8501S14 21	14-28/S14RD-DM	14	27	27	26,9	36,5	10x2	0,154	
16		G1/2	M24x1,5	8501S16 21	14-28/S16RD-DM	14	27	30	26,9	37	12x2	0,161	
20		G3/4	M30x2	8501S20 27	14-28/S20RD-DM	16	32	36	31,9	43	16,3x2,4	0,275	
25		G3/4	M36x2	8501S25 27	14-28/S25RD3/4"-DM	16	32	46	31,9	44,6	20,3x2,4	0,500	
25		G1	M36x2	8501S25 34	14-28/S25RD-DM	18	41	46	39,9	48	20,3x2,4	0,509	
30		G1"1/4	M42x2	8501S30 42	14-28/S30RD-DM	20	50	50	49,9	51	25,3x2,4	0,693	
315		G1"1/2	M52x2	8501S38 49	14-28/S38RD-DM	22	55	60	54,9	60	33,3x2,4	0,960	

Male stud standpipe (DKO)

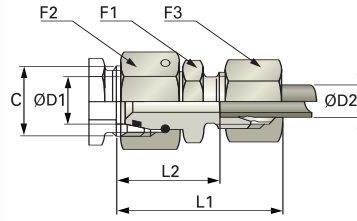
metric parallel
elastomer seal
ISO 9974-2
24° sealing cone and O-ring



	PN	ØD	C1	C2		Bell code	E	F1	F2	G	L	O-ring	
L	400	6	M10x1	M12x1,5	8501L06 60	14-28/L6MD-DM	8	14	14	13,9	24,5	4x1,5	0,028
		8	M12x1,5	M14x1,5	8501L08 67	14-28/L8MD-DM	12	17	17	16,9	26,5	6x1,5	0,044
		10	M14x1,5	M16x1,5	8501L10 71	14-28/L10MD-DM	12	19	19	18,9	27,5	7,5x1,5	0,054
		12	M16x1,5	M18x1,5	8501L12 75	14-28/L12MD-DM	12	22	22	21,9	30,5	9x1,5	0,078
		15	M18x1,5	M22x1,5	8501L15 78	14-28/L15MD-DM	12	24	27	23,9	31,5	12x2	0,111
	315	18	M22x1,5	M26x1,5	8501L18 82	14-28/L18MD-DM	14	27	32	26,9	31,5	15x2	0,148
		22	M26x1,5	M30x2	8501L22 89	14-28/L22MD-DM	16	32	36	31,9	32,5	20x2	0,200
		28	M33x2	M36x2	8501L28 91	14-28/L28MD-DM	18	41	41	39,9	35	26x2	0,291
	250	35	M42x2	M45x2	8501L35 96	14-28/L35MD-DM	20	50	50	49,9	42,5	32x2,5	0,508
		42	M48x2	M52x2	8501L42 98	14-28/L42MD-DM	22	55	60	54,9	46,5	38x2,5	0,679
S	630	6	M12x1,5	M14x1,5	8501S06 67	14-28/S6MD-DM	12	17	17	16,9	27	4x1,5	0,041
		8	M14x1,5	M16x1,5	8501S08 71	14-28/S8MD-DM	12	19	19	18,9	29,5	6x1,5	0,058
		10	M16x1,5	M18x1,5	8501S10 75	14-28/S10MD-DM	12	22	22	21,9	32	7,5x1,5	0,089
		12	M18x1,5	M20x1,5	8501S12 78	14-28/S12MD-DM	12	24	24	23,9	34	9x1,5	0,108
		14	M20x1,5	M22x1,5	8501S14 80	14-28/S14MD-DM	14	27	27	25,9	36,5	10x2	0,161
	400	16	M22x1,5	M24x1,5	8501S16 82	14-28/S16MD-DM	14	27	30	26,9	37	12x2	0,164
		20	M27x2	M30x2	8501S20 86	14-28/S20MD-DM	16	32	36	31,9	43	16,3x2,4	0,293
		25	M33x2	M36x2	8501S25 91	14-28/S25MD-DM	18	41	46	39,9	48	20,3x2,4	0,525
		30	M42x2	M42x2	8501S30 96	14-28/S30MD-DM	20	50	50	49,9	51	25,3x2,4	0,703
		315	38	M48x2	M52x2	8501S38 98	14-28/S38MD-DM	22	55	60	54,9	60	33,3x2,4

Standpipe reducers for tubes (DKO)

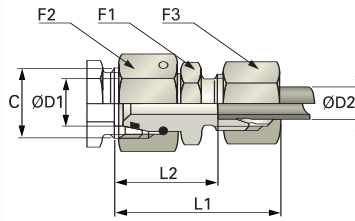
24° sealing cone and O-ring



PN	ØD1	ØD2	C	Body only	Double-bite ring	DiNova ring	Bell code	F1	F2	F3	L1	L2	O-ring	kg	
400	8	6	M14x1,5	8076L08 06	8276L08 06	8376L08 06	ZS14-29/L8-6V-DM	12	17	14	38	23,5	6x1,5	0,041	
	10	6	M16x1,5	8076L10 06	8276L10 06	8376L10 06	ZS14-29/L10-6V-DM	14	19	14	39,5	25	7,5x1,5	0,052	
	10	8	M16x1,5	8076L10 08	8276L10 08	8376L10 08	ZS14-29/L10-8V-DM	14	19	17	39,5	25	7,5x1,5	0,058	
	12	6	M18x1,5	8076L12 06	8276L12 06	8376L12 06	ZS14-29/L12-6V-DM	17	22	14	39,5	25	9x1,5	0,063	
	12	8	M18x1,5	8076L12 08	8276L12 08	8376L12 08	ZS14-29/L12-8V-DM	17	22	17	39,5	25	9x1,5	0,071	
	12	10	M18x1,5	8076L12 10	8276L12 10	8376L12 10	ZS14-29/L12-10V-DM	17	22	19	40,5	26	9x1,5	0,081	
	15	6	M22x1,5	8076L15 06	8276L15 06	8376L15 06	ZS14-29/L15-6V-DM	19	27	14	42,5	28	12x2	0,091	
	15	8	M22x1,5	8076L15 08	8276L15 08	8376L15 08	ZS14-29/L15-8V-DM	19	27	17	42,5	28	12x2	0,104	
	15	10	M22x1,5	8076L15 10	8276L15 10	8376L15 10	ZS14-29/L15-10V-DM	19	27	19	43,5	29	12x2	0,106	
	15	12	M22x1,5	8076L15 12	8276L15 12	8376L15 12	ZS14-29/L15-12V-DM	19	27	22	43,5	29	12x2	0,111	
	L 315	18	6	M26x1,5	8076L18 06	8276L18 06	8376L18 06	ZS14-29/L18-6V-DM	24	32	14	42,5	28	15x2	0,128
		18	8	M26x1,5	8076L18 08	8276L18 08	8376L18 08	ZS14-29/L18-8V-DM	24	32	17	42,5	28	15x2	0,128
		18	10	M26x1,5	8076L18 10	8276L18 10	8376L18 10	ZS14-29/L18-10V-DM	24	32	19	43,5	29	15x2	0,140
		18	12	M26x1,5	8076L18 12	8276L18 12	8376L18 12	ZS14-29/L18-12V-DM	24	32	22	43,5	29	15x2	0,143
		18	15	M26x1,5	8076L18 15	8276L18 15	8376L18 15	ZS14-29/L18-15V-DM	24	32	27	45	30	15x2	0,160
22		6	M30x2	8076L22 06	8276L22 06	8376L22 06	ZS14-29/L22-6V-DM	27	36	14	46,5	32	20x2	0,188	
22		8	M30x2	8076L22 08	8276L22 08	8376L22 08	ZS14-29/L22-8V-DM	27	36	17	46,5	32	20x2	0,196	
22		10	M30x2	8076L22 10	8276L22 10	8376L22 10	ZS14-29/L22-10V-DM	27	36	19	47,5	33	20x2	0,197	
22		12	M30x2	8076L22 12	8276L22 12	8376L22 12	ZS14-29/L22-12V-DM	27	36	22	47,5	33	20x2	0,199	
22		15	M30x2	8076L22 15	8276L22 15	8376L22 15	ZS14-29/L22-15V-DM	27	36	27	49	34	20x2	0,216	
22		18	M30x2	8076L22 18	8276L22 18	8376L22 18	ZS14-29/L22-18V-DM	27	36	32	49,5	33,5	20x2	0,230	
28		8	M36x2	8076L28 08	8276L28 08	8376L28 08	ZS14-29/L28-8V-DM	32	41	17	48	34	26x2	0,257	
28		10	M36x2	8076L28 10	8276L28 10	8376L28 10	ZS14-29/L28-10V-DM	32	41	19	49	35	26x2	0,263	
28		12	M36x2	8076L28 12	8276L28 12	8376L28 12	ZS14-29/L28-12V-DM	32	41	22	49	35	26x2	0,271	
28		15	M36x2	8076L28 15	8276L28 15	8376L28 15	ZS14-29/L28-15V-DM	32	41	27	51	36	26x2	0,285	
28	18	M36x2	8076L28 18	8276L28 18	8376L28 18	ZS14-29/L28-18V-DM	32	41	32	51	35,5	26x2	0,314		
250	28	22	M36x2	8076L28 22	8276L28 22	8376L28 22	ZS14-29/L28-22V-DM	32	41	36	53	37,5	26x2	0,351	
	35	12	M45x2	8076L35 12	8276L35 12	8376L35 12	ZS14-29/L35-12V-DM	41	50	22	52,5	38	32x2,5	0,445	
	35	15	M45x2	8076L35 15	8276L35 15	8376L35 15	ZS14-29/L35-15V-DM	41	50	27	54	39	32x2,5	0,461	
	35	18	M45x2	8076L35 18	8276L35 18	8376L35 18	ZS14-29/L35-18V-DM	41	50	32	54,5	38,5	32x2,5	0,471	
	35	22	M45x2	8076L35 22	8276L35 22	8376L35 22	ZS14-29/L35-22V-DM	41	50	36	56,5	40,5	32x2,5	0,476	
	35	28	M45x2	8076L35 28	8276L35 28	8376L35 28	ZS14-29/L35-28V-DM	41	50	41	57	40,5	32x2,5	0,446	
	42	22	M52x2	8076L42 22	8276L42 22	8376L42 22	ZS14-29/L42-22V-DM	50	60	36	60	44	38x2,5	0,668	
	42	28	M52x2	8076L42 28	8276L42 28	8376L42 28	ZS14-29/L42-28V-DM	50	60	41	60,5	44	38x2,5	0,670	
	42	35	M52x2	8076L42 35	8276L42 35	8376L42 35	ZS14-29/L42-35V-DM	50	60	50	64,5	43	38x2,5	0,720	

Standpipe reducers for tubes (DKO)

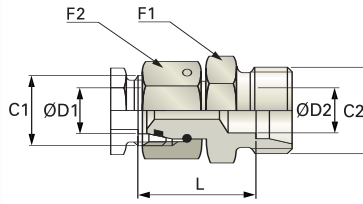
24° sealing cone and O-ring



PN	ØD1	ØD2	C	Body			Bell code	F1	F2	F3	L1	L2	O-ring	kg	
				Body only	Double-bite ring	DiNova ring									
630	8	6	M16x1,5	8076S08 06	8276S08 06	8376S08 06	ZS14-29/S8-6V-DM	14	19	17	41,5	27	6x1,5	0,065	
	10	6	M18x1,5	8076S10 06	8276S10 06	8376S10 06	ZS14-29/S10-6V-DM	17	22	17	42	27,5	7,5x1,5	0,082	
	10	8	M18x1,5	8076S10 08	8276S10 08	8376S10 08	ZS14-29/S10-8V-DM	17	22	19	42	27,5	7,5x1,5	0,088	
	12	6	M20x1,5	8076S12 06	8276S12 06	8376S12 06	ZS14-29/S12-6V-DM	19	24	17	44,5	30	9x1,5	0,100	
	12	8	M20x1,5	8076S12 08	8276S12 08	8376S12 08	ZS14-29/S12-8V-DM	19	24	19	44,5	30	9x1,5	0,102	
	12	10	M20x1,5	8076S12 10	8276S12 10	8376S12 10	ZS14-29/S12-10V-DM	19	24	22	45,5	29,5	9x1,5	0,115	
	14	10	M22x1,5	8076S14 10	8276S14 10	8376S14 10	ZS14-29/S14-10V-DM	19	27	22	47	31	10x2	0,137	
	14	12	M22x1,5	8076S14 12	8276S14 12	8376S14 12	ZS14-29/S14-12V-DM	22	27	24	47	31	10x2	0,151	
	16	6	M24x1,5	8076S16 06	8276S16 06	8376S16 06	ZS14-29/S16-6V-DM	22	30	17	46,5	32	12x2	0,148	
	16	8	M24x1,5	8076S16 08	8276S16 08	8376S16 08	ZS14-29/S16-8V-DM	22	30	19	46,5	32	12x2	0,154	
	16	10	M24x1,5	8076S16 10	8276S16 10	8376S16 10	ZS14-29/S16-10V-DM	22	30	22	47,5	31,5	12x2	0,161	
	16	12	M24x1,5	8076S16 12	8276S16 12	8376S16 12	ZS14-29/S16-12V-DM	22	30	24	47,5	31,5	12x2	0,189	
	16	14	M24x1,5	8076S16 14	8276S16 14	8376S16 14	ZS14-29/S16-14V-DM	24	30	27	50,5	33	12x2	0,192	
	20	8	M30x2	8076S20 08	8276S20 08	8376S20 08	ZS14-29/S20-8V-DM	27	36	19	50,5	36	16,3x2,4	0,251	
	400	20	10	M30x2	8076S20 10	8276S20 10	8376S20 10	ZS14-29/S20-10V-DM	27	36	22	51,5	35,5	16,3x2,4	0,256
		20	12	M30x2	8076S20 12	8276S20 12	8376S20 12	ZS14-29/S20-12V-DM	27	36	24	51,5	35,5	16,3x2,4	0,262
20		14	M30x2	8076S20 14	8276S20 14	8376S20 14	ZS14-29/S20-14V-DM	27	36	27	54,5	37	16,3x2,4	0,277	
20		16	M30x2	8076S20 16	8276S20 16	8376S20 16	ZS14-29/S20-16V-DM	27	36	30	54,5	36,5	16,3x2,4	0,285	
25		8	M36x2	8076S25 08	8276S25 08	8376S25 08	ZS14-29/S25-8V-DM	32	46	19	53	38,5	20,3x2,4	0,403	
25		10	M36x2	8076S25 10	8276S25 10	8376S25 10	ZS14-29/S25-10V-DM	32	46	22	54	38	20,3x2,4	0,413	
25		12	M36x2	8076S25 12	8276S25 12	8376S25 12	ZS14-29/S25-12V-DM	32	46	24	54	38	20,3x2,4	0,421	
25		16	M36x2	8076S25 16	8276S25 16	8376S25 16	ZS14-29/S25-16V-DM	32	46	30	57	39	20,3x2,4	0,440	
25		20	M36x2	8076S25 20	8276S25 20	8376S25 20	ZS14-29/S25-20V-DM	32	46	36	60,5	39	20,3x2,4	0,448	
30		16	M42x2	8076S30 16	8276S30 16	8376S30 16	ZS14-29/S30-16V-DM	41	50	30	62,5	44,5	25,3x2,4	0,564	
30	20	M42x2	8076S30 20	8276S30 20	8376S30 20	ZS14-29/S30-20V-DM	41	50	36	66	44,5	25,3x2,4	0,594		
30	25	M42x2	8076S30 25	8276S30 25	8376S30 25	ZS14-29/S30-25V-DM	41	50	46	69	45	25,3x2,4	0,694		
315	38	16	M52x2	8076S38 16	8276S38 16	8376S38 16	ZS14-29/S38-16V-DM	50	60	30	66	48	33,3x2,4	0,866	
	38	20	M52x2	8076S38 20	8276S38 20	8376S38 20	ZS14-29/S38-20V-DM	50	60	36	69,5	48	33,3x2,4	0,921	
	38	25	M52x2	8076S38 25	8276S38 25	8376S38 25	ZS14-29/S38-25V-DM	50	60	46	72,5	48,5	33,3x2,4	0,977	
	38	30	M52x2	8076S38 30	8276S38 30	8376S38 30	ZS14-29/S38-30V-DM	50	60	50	75,5	49	33,3x2,4	0,990	

Increasesers for tubes (DKO)

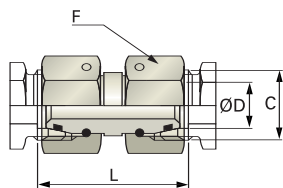
24° sealing cone and O-ring



	PN	ØD1	ØD2	C1	C2		Bell code	F1	F2	L	O-ring	
L	400	L6	L8	M12x1,5	M14x1,5	8566L06 08	14/8-290/L6-8V-DM	14	14	24,5	4x1,5	0,028
		L6	L10	M12x1,5	M16x1,5	8566L06 10	14/8-290/L6-10V-DM	17	14	25,5	4x1,5	0,032
		L8	L10	M14x1,5	M16x1,5	8566L08 10	14/8-290/L8-10V-DM	17	17	25,5	6x1,5	0,035
		L8	L12	M14x1,5	M18x1,5	8566L08 12	14/8-290/L8-12V-DM	19	17	26,5	6x1,5	0,045
		L10	L12	M16x1,5	M18x1,5	8566L10 12	14/8-290/L10-12V-DM	19	19	26	7,5x1,5	0,051
		L10	L15	M16x1,5	M22x1,5	8566L10 15	14/8-290/L10-15V-DM	24	19	27	7,5x1,5	0,066
		L12	S12	M18x1,5	M20x1,5	8566L12S12	14/8-290/L12-S12V-DM	22	22	26,5	9x1,5	0,072
		L12	L15	M18x1,5	M22x1,5	8566L12 15	14/8-290/L12-15V-DM	24	22	27	9x1,5	0,075
		L15	S16	M22x1,5	M24x1,5	8566L15S16	14/8-290/L15-S16V-DM	27	27	30	12x2	0,115
		L12	L18	M18x1,5	M26x1,5	8566L12 18	14/8-290/L12-18V-DM	27	22	27,5	9x1,5	0,090
		L15	L18	M22x1,5	M26x1,5	8566L15 18	14/8-290/L15-18V-DM	27	27	29	12x2	0,115
		L15	L22	M22x1,5	M30x2	8566L15 22	14/8-290/L15-22V-DM	32	27	31	12x2	0,136
		L18	L22	M26x1,5	M30x2	8566L18 22	14/8-290/L18-22V-DM	32	32	32,5	15x2	0,155
		L22	L28	M30x2	M36x2	8566L22 28	14/8-290/L22-28V-DM	41	36	34,5	20x2	0,226
		250	L28	L35	M36x2	M45x2	8566L28 35	14/8-290/L28-35V-DM	46	41	35	26x2
L28	L42		M36x2	M52x2	8566L28 42	14/8-290/L28-42V-DM	55	41	36,5	26x2	0,430	
L35	L42		M45x2	M52x2	8566L35 42	14/8-290/L35-42V-DM	55	50	40,5	32x2,5	0,504	
S	630	S8	S12	M16x1,5	M20x1,5	8566S08 12	14/8-290/S8-12V-DM	22	19	27,5	6x1,5	0,065
		S10	S12	M18x1,5	M20x1,5	8566S10 12	14/8-290/S10-12V-DM	22	22	28	7,5x1,5	0,079
		S12	S16	M20x1,5	M24x1,5	8566S12 16	14/8-290/S12-16V-DM	27	24	30,5	9x1,5	0,109
	400	S16	S20	M24x1,5	M30x2	8566S16 20	14/8-290/S16-20V-DM	32	30	33	12x2	0,173
		S16	S25	M24x1,5	M36x2	8566S16 25	14/8-290/S16-25V-DM	41	30	34,5	12x2	0,238
		S20	S25	M30x2	M36x2	8566S20 25	14/8-290/S20-25V-DM	41	36	38	16,3x2,4	0,296
	S25	S30	M36x2	M42x2	8566S25 30	14/8-290/S25-30V-DM	46	46	41,5	20,3x2,4	0,483	
	315	S16	L18	M24x1,5	M26x1,5	8566S16L18	14/8-290/S16-L18V-DM	27	30	32	12x2	0,143
		S20	L22	M30x2	M30x2	8566S20L22	14/8-290/S20-L22V-DM	32	36	37,5	16,3x2,4	0,223
		S25	S38	M36x2	M52x2	8566S25 38	14/8-290/S25-38V-DM	55	46	43	20,3x2,4	0,629
	250	S25	L28	M36x2	M36x2	8566S25L28	14/8-290/S25-L28V-DM	41	46	40,5	20,3x2,4	0,394
		S25	L35	M36x2	M45x2	8566S25L35	14/8-290/S25-L35V-DM	46	46	41	20,3x2,4	0,460
		S25	L42	M36x2	M52x2	8566S25L42	14/8-290/S25-L42V-DM	55	46	42	20,3x2,4	0,566

Reducer straight connectors (DKO)

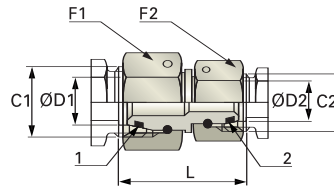
24° sealing cone and O-ring



	PN	ØD	C		Bell code	F	L	O-ring	
L	400	6	M12x1,5	8506L06 00	14/8-10/L6-DM	14	36	4x1,5	0,024
		8	M14x1,5	8506L08 00	14/8-10/L8-DM	17	36	6x1,5	0,041
		10	M16x1,5	8506L10 00	14/8-10/L10-DM	19	37	7,5x1,5	0,050
		12	M18x1,5	8506L12 00	14/8-10/L12-DM	22	37	9x1,5	0,069
		15	M22x1,5	8506L15 00	14/8-10/L15-DM	27	40	12x2	0,120
	315	18	M26x1,5	8506L18 00	14/8-10/L18-DM	32	42,5	15x2	0,160
		22	M30x2	8506L22 00	14/8-10/L22-DM	36	47	20x2	0,224
		28	M36x2	8506L28 00	14/8-10/L28-DM	41	49	26x2	0,373
		35	M45x2	8506L35 00	14/8-10/L35-DM	50	58	32x2,5	0,414
		42	M52x2	8506L42 00	14/8-10/L42-DM	60	59	38x2,5	0,705
S	630	6	M14x1,5	8506S06 00	14/8-10/S6-DM	17	39	4x1,5	0,039
		8	M16x1,5	8506S08 00	14/8-10/S8-DM	19	39	6x1,5	0,048
		10	M18x1,5	8506S10 00	14/8-10/S10-DM	22	43	7,5x1,5	0,069
		12	M20x1,5	8506S12 00	14/8-10/S12-DM	24	44	9x1,5	0,083
		14	M22x1,5	8506S14 00	14/8-10/S14-DM	27	48	10x2	0,122
	400	16	M24x1,5	8506S16 00	14/8-10/S16-DM	30	50	12x2	0,140
		20	M30x2	8506S20 00	14/8-10/S20-DM	36	60	16,3x2,4	0,236
		25	M36x2	8506S25 00	14/8-10/S25-DM	46	66	20,3x2,4	0,390
		30	M42x2	8506S30 00	14/8-10/S30-DM	50	73	25,3x2,4	0,499
		315	M52x2	8506S38 00	14/8-10/S38-DM	60	83	33,3x2,4	0,740

Double reducer adaptors (DKO)

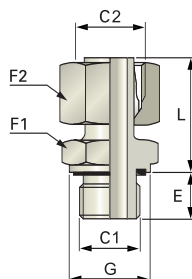
24° sealing cone and O-ring



	PN	ØD1	ØD2	C1	C2		Bell code	F1	F2	L	O-ring 1	O-ring 2		
L	400	L8	L6	M14x1,5	M12x1,5	8506L08 06	14/8-14/L8-6-DM	17	14	35	6x1,5	4x1,5	0,032	
		L10	L6	M16x1,5	M12x1,5	8506L10 06	14/8-14/L10-6-DM	19	14	34,5	7,5x1,5	4x1,5	0,037	
		L10	L8	M16x1,5	M14x1,5	8506L10 08	14/8-14/L10-8-DM	19	17	34,5	7,5x1,5	6x1,5	0,046	
		L12	L6	M18x1,5	M12x1,5	8506L12 06	14/8-14/L12-6-DM	22	14	34,5	9x1,5	4x1,5	0,047	
		L12	L8	M18x1,5	M14x1,5	8506L12 08	14/8-14/L12-8-DM	22	17	34,5	9x1,5	6x1,5	0,055	
		L12	L10	M18x1,5	M16x1,5	8506L12 10	14/8-14/L12-10-DM	22	19	34	9x1,5	7,5x1,5	0,060	
		L15	L8	M22x1,5	M14x1,5	8506L15 08	14/8-14/L15-8-DM	27	14	36	12x2	6x1,5	0,080	
		L15	L10	M22x1,5	M16x1,5	8506L15 10	14/8-14/L15-10-DM	27	19	35,5	12x2	7,5x1,5	0,085	
		L15	L12	M22x1,5	M18x1,5	8506L15 12	14/8-14/L15-12-DM	27	22	35,5	12x2	9x1,5	0,094	
		L18	L12	M26x1,5	M18x1,5	8506L18 12	14/8-14/L18-12-DM	32	22	37	15x2	9x1,5	0,114	
		L18	L15	M26x1,5	M22x1,5	8506L18 15	14/8-14/L18-15-DM	32	27	38,5	15x2	12x2	0,140	
		L18	S16	M26x1,5	M24x1,5	8506L18S16	14/8-14/L18-S16-DM	32	30	41,5	15x2	12x2	0,150	
		L22	L12	M30x2	M18x1,5	8506L22 12	14/8-14/L22-12-DM	36	22	39	20x2	9x1,5	0,146	
		L22	L15	M30x2	M22x1,5	8506L22 15	14/8-14/L22-15-DM	36	27	40,5	20x2	12x2	0,172	
		L22	L18	M30x2	M26x1,5	8506L22 18	14/8-14/L22-18-DM	36	32	42	20x2	15x2	0,192	
L22	S20	M30x2	M30x2	8506L22S20	14/8-14/L22-S20-DM	36	36	47	20x2	16,3x2,4	0,230			
L28	L18	M36x2	M26x1,5	8506L28 18	14/8-14/L28-18-DM	41	32	42,5	26x2	15x2	0,266			
L28	L22	M36x2	M30x2	8506L28 22	14/8-14/L28-22-DM	41	36	43,5	26x2	20x2	0,298			
L35	L28	M45x2	M36x2	8506L35 28	14/8-14/L35-28-DM	50	41	48	32x2,5	26x2	0,394			
S	400	S12	S10	M20x1,5	M18x1,5	8506S12 10	14/8-14/S12-10-DM	24	22	37,5	9x1,5	7,5x1,5	0,076	
		S10	L10	M18x1,5	M16x1,5	8506S10L10	14/8-14/S10-L10-DM	22	19	35,5	7,5x1,5	7,5x1,5	0,060	
		S12	L8	M20x1,5	M14x1,5	8506S12L08	14/8-14/S12-L8-DM	24	17	36,5	9x1,5	6x1,5	0,062	
		S12	L10	M20x1,5	M16x1,5	8506S12L10	14/8-14/S12-L10-DM	24	19	36	9x1,5	7,5x1,5	0,067	
		S12	L12	M20x1,5	M18x1,5	8506S12L12	14/8-14/S12-L12-DM	24	22	36	9x1,5	9x1,5	0,076	
		S16	L12	M24x1,5	M18x1,5	8506S16L12	14/8-14/S16-L12-DM	30	22	38,5	12x2	9x1,5	0,105	
		S16	S12	M24x1,5	M20x1,5	8506S16 12	14/8-14/S16-12-DM	30	24	40,5	12x2	9x1,5	0,112	
		S16	L15	M24x1,5	M22x1,5	8506S16L15	14/8-14/S16-L15-DM	30	27	40	12x2	12x2	0,130	
		S20	S16	M30x2	M24x1,5	8506S20 16	14/8-14/S20-16-DM	36	30	47,5	16,3x2,4	12x2	0,188	
		S25	S16	M36x2	M24x1,5	8506S25 16	14/8-14/S25-16-DM	46	30	49,5	20,3x2,4	12x2	0,265	
		S25	S20	M36x2	M30x2	8506S25 20	14/8-14/S25-20-DM	46	36	53	20,3x2,4	16,3x2,4	0,313	
		S30	S20	M42x2	M30x2	8506S30 20	14/8-14/S30-20-DM	50	36	56,5	25,3x2,4	16,3x2,4	0,368	
		S30	S25	M42x2	M36x2	8506S30 25	14/8-14/S30-25-DM	50	46	55,5	25,3x2,4	20,3x2,4	0,445	
		S315	S38	S30	M52x2	M42x2	8506S38 30	14/8-14/S38-30-DM	60	50	66	33,3x2,4	25,3x2,4	0,620

Male stud standpipe

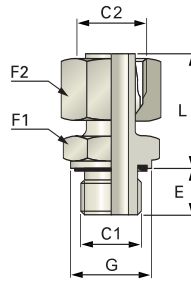
metric parallel
elastomer seal
ISO 9974-2
pre-assembled ring



	PN	ØD	C1	C2	Double-bite ring	Bell code	E	F1	F2	G	L	kg
L	6	G1/8	M12x1,5	8242L06 10	ZS15-28/L6RD	8	14	14	13,9	24,5	0,025	
	8	G1/4	M14x1,5	8242L08 13	ZS15-28/L8RD	12	19	17	18,9	29,5	0,045	
	10	G1/4	M16x1,5	8242L10 13	ZS15-28/L10RD	12	19	19	18,9	27,5	0,047	
	12	G1/4	M18x1,5	8242L12 13	ZS15-28/L12RD1/4"	12	19	22	18,9	29	0,064	
	12	G3/8	M18x1,5	8242L12 17	ZS15-28/L12RD	12	22	22	21,9	34	0,063	
	12	G1/2	M18x1,5	8242L12 21	ZS15-28/L12RD1/2"	14	27	22	26,9	32	0,097	
	15	G3/8	M22x1,5	8242L15 17	ZS15-28/L15RD3/8"	12	22	27	21,9	34	0,110	
	15	G1/2	M22x1,5	8242L15 21	ZS15-28/L15RD	14	27	27	26,9	32	0,115	
	18	G1/2	M26x1,5	8242L18 21	ZS15-28/L18RD	14	27	32	26,9	31,5	0,129	
	22	G3/4	M30x2	8242L22 27	ZS15-28/L22RD	16	32	36	31,9	32,5	0,176	
	28	G1	M36x2	8242L28 34	ZS15-28/L28RD	18	41	41	39,9	35	0,247	
	35	G1"1/4	M45x2	8242L35 42	ZS15-28/L35RD	20	50	50	49,9	42,5	0,407	
	42	G1"1/2	M52x2	8242L42 49	ZS15-28/L42RD	22	55	60	54,9	46,5	0,456	
	S	6	G1/4	M14x1,5	8242S06 13	ZS15-28/S6RD	12	19	17	18,9	27	0,050
8		G1/4	M16x1,5	8242S08 13	ZS15-28/S8RD	12	19	19	18,9	29,5	0,055	
10		G3/8	M18x1,5	8242S10 17	ZS15-28/S10RD	12	22	22	21,9	32	0,082	
12		G3/8	M20x1,5	8242S12 17	ZS15-28/S12RD	12	22	24	21,9	34	0,095	
12		G1/2	M20x1,5	8242S12 21	ZS15-28/S12RD1/2"	14	27	24	26,9	34,5	0,095	
14		G1/2	M22x1,5	8242S14 21	ZS15-28/S14RD	14	27	27	26,9	36,5	0,148	
16		G1/2	M24x1,5	8242S16 21	ZS15-28/S16RD	14	27	30	26,9	37	0,154	
20		G3/4	M30x2	8242S20 27	ZS15-28/S20RD	16	32	36	31,9	43	0,253	
25		G1	M36x2	8242S25 34	ZS15-28/S25RD	18	41	46	39,9	48	0,465	
30		G1"1/4	M42x2	8242S30 42	ZS15-28/S30RD	20	50	50	49,9	51	0,644	
315	38	G1"1/2	M52x2	8242S38 49	ZS15-28/S38RD	22	55	60	54,9	60	0,889	

Male stud standpipe

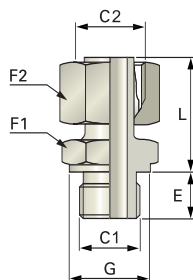
BSP parallel
elastomer seal
ISO 1179-2
pre-assembled ring



	PN	ØD	C1	C2	Double-bite ring	Bell code	E	F1	F2	G	L	
L	400	6	M10x1	M12x1,5	8242L06 60	ZS15-28/L6MD	8	14	14	13,9	24,5	0,025
		8	M12x1,5	M14x1,5	8242L08 67	ZS15-28/L8MD	12	17	17	16,9	26,5	0,040
		10	M14x1,5	M16x1,5	8242L10 71	ZS15-28/L10MD	12	19	19	18,9	27,5	0,047
		12	M16x1,5	M18x1,5	8242L12 75	ZS15-28/L12MD	12	22	22	21,9	30,5	0,063
		15	M18x1,5	M22x1,5	8242L15 78	ZS15-28/L15MD	12	24	27	23,9	31,5	0,095
		15	M22x1,5	M22x1,5	8242L15 82	ZS15-28/L15MD22X1,5	14	27	27	26,9	31	0,140
	315	18	M22x1,5	M26x1,5	8242L18 82	ZS15-28/L18MD	14	27	32	26,9	31,5	0,129
		22	M26x1,5	M30x2	8242L22 89	ZS15-28/L22MD	16	32	36	31,9	32,5	0,176
	250	28	M33x2	M36x2	8242L28 91	ZS15-28/L28MD	18	41	41	39,9	35	0,247
		35	M42x2	M45x2	8242L35 96	ZS15-28/L35MD	20	50	50	49,9	42,5	0,407
		42	M48x2	M52x2	8242L42 98	ZS15-28/L42MD	22	55	60	54,9	46,5	0,456
	S	630	6	M12x1,5	M14x1,5	8242S06 67	ZS15-28/S6MD	12	17	17	16,9	27
8			M14x1,5	M16x1,5	8242S08 71	ZS15-28/S8MD	12	19	19	18,9	29,5	0,055
10			M16x1,5	M18x1,5	8242S10 75	ZS15-28/S10MD	12	22	22	21,9	32	0,082
12			M18x1,5	M20x1,5	8242S12 78	ZS15-28/S12MD	12	24	24	23,9	34	0,095
14			M20x1,5	M22x1,5	8242S14 80	ZS15-28/S14MD	14	27	27	25,9	36,5	0,148
16			M22x1,5	M24x1,5	8242S16 82	ZS15-28/S16MD	14	27	30	26,9	37	0,154
400		20	M27x2	M30x2	8242S20 86	ZS15-28/S20MD	16	32	36	31,9	43	0,253
		25	M33x2	M36x2	8242S25 91	ZS15-28/S25MD	18	41	46	39,9	48	0,465
		30	M42x2	M42x2	8242S30 96	ZS15-28/S30MD	20	50	50	49,9	51	0,644
		315	38	M48x2	M52x2	8242S38 98	ZS15-28/S38MD	22	55	60	54,9	60

Male stud standpipe

BSP parallel
sealing bite
ISO 1179-4
pre-assembled ring

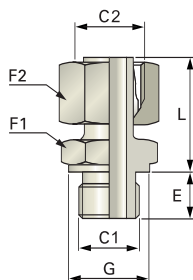


	PN	ØD	C1	C2	Double-bite ring	Bell code	E	F1	F2	G	L	kg
L	6	G1/8	M12x1,5	8241L06 10	ZS15-28/L6RB	8	14	14	14	24,5	0,025	
	8	G1/4	M14x1,5	8241L08 13	ZS15-28/L8RB	12	19	17	18	29,5	0,045	
	10	G1/4	M16x1,5	8241L10 13	ZS15-28/L10RB	12	19	19	18	27,5	0,047	
	12	G1/4	M18x1,5	8241L12 13	ZS15-28/L12RB1/4"	12	19	22	18	29	0,057	
	12	G3/8	M18x1,5	8241L12 17	ZS15-28/L12RB	12	22	22	22	34	0,063	
	12	G1/2	M18x1,5	8241L12 21	ZS15-28/L12RB1/2"	14	27	22	26	32	0,097	
	15	G1/2	M22x1,5	8241L15 21	ZS15-28/L15RB	14	27	27	26	32	0,115	
	18	G1/2	M26x1,5	8241L18 21	ZS15-28/L18RB	14	27	32	26	31,5	0,129	
	22	G3/4	M30x2	8241L22 27	ZS15-28/L22RB	16	32	36	32	32,5	0,176	
	250	28	G1	M36x2	8241L28 34	ZS15-28/L28RB	18	41	41	39	35	0,247
	35	G1"1/4	M45x2	8241L35 42	ZS15-28/L35RB	20	50	50	49	42,5	0,407	
	42	G1"1/2	M52x2	8241L42 49	ZS15-28/L42RB	22	55	60	55	46,5	0,456	
S	PB 630*	6	G1/4	M14x1,5	8241S06 13	ZS15-28/S6RB	12	19	17	18	27	0,050
		8	G1/4	M16x1,5	8241S08 13	ZS15-28/S8RB	12	19	19	18	29,5	0,055
		10	G3/8	M18x1,5	8241S10 17	ZS15-28/S10RB	12	22	22	22	32	0,082
		12	G3/8	M20x1,5	8241S12 17	ZS15-28/S12RB	12	22	24	22	34	0,095
		12	G1/2	M20x1,5	8241S12 21	ZS15-28/S12RB1/2"	14	27	24	26	34,5	0,095
		14	G1/2	M22x1,5	8241S14 21	ZS15-28/S14RB	14	27	27	26	36,5	0,148
	400	16	G1/2	M24x1,5	8241S16 21	ZS15-28/S16RB	14	27	30	26	37	0,154
		20	G3/4	M30x2	8241S20 27	ZS15-28/S20RB	16	32	36	32	43	0,253
		25	G1	M36x2	8241S25 34	ZS15-28/S25RB	18	41	46	39	48	0,465
		250	30	G1"1/4	M42x2	8241S30 42	ZS15-28/S30RB	20	50	50	49	51
	38	G1"1/2	M52x2	8241S38 49	ZS15-28/S38RB	22	55	60	55	60	0,889	

* Safety factor 3

Male stud standpipe

metric parallel
sealing bite
ISO 9974-3
pre-assembled ring

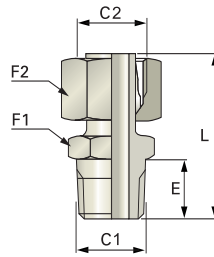


	PN	ØD	C1	C2	Double-bite ring	Bell code	E	F1	F2	G	L	kg	
L	315	6	M10x1	M12x1,5	8241L06 60	ZS15-28/L6MB	8	14	14	14	24,5	0,025	
		8	M12x1,5	M14x1,5	8241L08 67	ZS15-28/L8MB	12	17	17	17	26,5	0,040	
		10	M14x1,5	M16x1,5	8241L10 71	ZS15-28/L10MB	12	19	19	19	27,5	0,047	
		12	M16x1,5	M18x1,5	8241L12 75	ZS15-28/L12MB	12	22	22	21	30,5	0,063	
		15	M18x1,5	M22x1,5	8241L15 78	ZS15-28/L15MB	12	24	27	23	31,5	0,095	
		18	M22x1,5	M26x1,5	8241L18 82	ZS15-28/L18MB	14	27	32	27	31,5	0,129	
	250	22	M26x1,5	M30x2	8241L22 89	ZS15-28/L22MB	16	32	36	31	32,5	0,176	
		28	M33x2	M36x2	8241L28 91	ZS15-28/L28MB	18	41	41	39	35	0,247	
		35	M42x2	M45x2	8241L35 96	ZS15-28/L35MB	20	50	50	49	42,5	0,407	
		42	M48x2	M52x2	8241L42 98	ZS15-28/L42MB	22	55	60	55	46,5	0,456	
S	PB 630*	6	M12x1,5	M14x1,5	8241S06 67	ZS15-28/S6MB	12	17	17	17	27	0,045	
		8	M14x1,5	M16x1,5	8241S08 71	ZS15-28/S8MB	12	19	19	19	29,5	0,055	
		10	M16x1,5	M18x1,5	8241S10 75	ZS15-28/S10MB	12	22	22	21	32	0,082	
		12	M18x1,5	M20x1,5	8241S12 78	ZS15-28/S12MB	12	24	24	23	34	0,105	
		14	M20x1,5	M22x1,5	8241S14 80	ZS15-28/S14MB	14	27	27	25	36,5	0,148	
		16	M22x1,5	M24x1,5	8241S16 82	ZS15-28/S16MB	14	27	30	27	37	0,154	
	400	20	M27x2	M30x2	8241S20 86	ZS15-28/S20MB	16	32	36	32	43	0,253	
		25	M33x2	M36x2	8241S25 91	ZS15-28/S25MB	18	41	46	39	48	0,465	
		250	30	M42x2	M42x2	8241S30 96	ZS15-28/S30MB	20	50	50	49	51	0,644
			38	M48x2	M52x2	8241S38 98	ZS15-28/S38MB	22	55	60	55	60	0,889

* Safety factor 3

Male stud standpipe

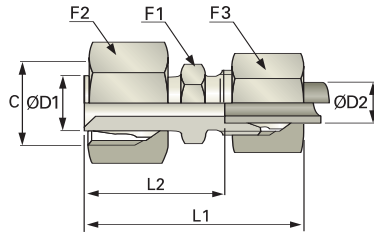
NPT
pre-assembled ring



	PN	ØD	C1	C2	Double-bite ring	Bell code	E	F1	F2	L	
L	315	6	1/8	M12x1,5	8245L06 11	ZS15-28/L6NPT	9,97	11	14	33	0,026
		8	1/4	M14x1,5	8245L08 14	ZS15-28/L8NPT	15,1	14	17	38	0,039
		10	1/4	M16x1,5	8245L10 14	ZS15-28/L10NPT	15,1	14	19	38,5	0,047
		12	3/8	M18x1,5	8245L12 18	ZS15-28/L12NPT	15,26	19	22	41,5	0,063
		15	1/2	M22x1,5	8245L15 22	ZS15-28/L15NPT	19,85	22	27	47	0,109
		18	1/2	M26x1,5	8245L18 22	ZS15-28/L18NPT	19,85	22	32	47,5	0,135
	160	22	3/4	M30x2	8245L22 28	ZS15-28/L22NPT	20,16	27	36	49	0,190
		28	1	M36x2	8245L28 35	ZS15-28/L28NPT	25,0	36	41	55,5	0,275
		35	1"1/4	M45x2	8245L35 43	ZS15-28/L35NPT	25,62	46	50	62,5	0,405
		42	1"1/2	M52x2	8245L42 50	ZS15-28/L42NPT	26,04	50	60	65	0,570
S	630	6	1/4	M14x1,5	8245S06 14	ZS15-28/S6NPT	15,1	14	17	39	0,049
		8	1/4	M16x1,5	8245S08 14	ZS15-28/S8NPT	15,1	14	19	41	0,056
		10	3/8	M18x1,5	8245S10 18	ZS15-28/S10NPT	15,26	19	22	44	0,080
		12	3/8	M20x1,5	8245S12 18	ZS15-28/S12NPT	15,26	19	24	44,5	0,100
		14	1/2	M22x1,5	8245S14 22	ZS15-28/S14NPT	19,85	22	27	51	0,153
		16	1/2	M24x1,5	8245S16 22	ZS15-28/S16NPT	19,85	22	30	51,5	0,158
	400	20	3/4	M30x2	8245S20 28	ZS15-28/S20NPT	20,16	27	36	58	0,250
		25	1	M36x2	8245S25 35	ZS15-28/S25NPT	25	36	46	68	0,475
		30	1"1/4	M42x2	8245S30 43	ZS15-28/S30NPT	25,62	46	50	73,5	0,620
		315	38	1"1/2	M52x2	8245S38 50	ZS15-28/S38NPT	26,04	50	60	78

Standpipe reducers for tubes

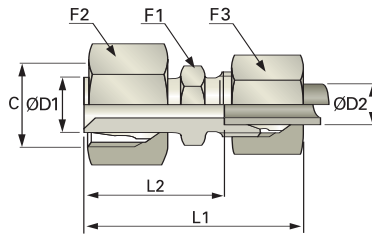
pre-assembled ring



PN	ØD1	ØD2	C			Bell code	F1	F2	F3	L1	L2		
				Body only	Double-bite ring								
400	8	6	M14x1,5	8040L08 06	8240L08 06	ZS15-29/L8-6V	12	17	14	40	25,5	0,041	
	10	6	M16x1,5	8040L10 06	8240L10 06	ZS15-29/L10-6V	12	19	14	42	27,5	0,050	
	10	8	M16x1,5	8040L10 08	8240L10 08	ZS15-29/L10-8V	14	19	17	42	27,5	0,058	
	12	6	M18x1,5	8040L12 06	8240L12 06	ZS15-29/L12-6V	14	22	14	42	27,5	0,060	
	12	8	M18x1,5	8040L12 08	8240L12 08	ZS15-29/L12-8V	14	22	17	42	27,5	0,068	
	12	10	M18x1,5	8040L12 10	8240L12 10	ZS15-29/L12-10V	17	22	19	43	28,5	0,080	
	15	6	M22x1,5	8040L15 06	8240L15 06	ZS15-29/L15-6V	17	27	14	44	29	0,086	
	15	8	M22x1,5	8040L15 08	8240L15 08	ZS15-29/L15-8V	17	27	17	44	29	0,099	
	15	10	M22x1,5	8040L15 10	8240L15 10	ZS15-29/L15-10V	17	27	19	45	30	0,101	
	15	12	M22x1,5	8040L15 12	8240L15 12	ZS15-29/L15-12V	17	27	22	45	30	0,109	
	315	18	8	M26x1,5	8040L18 08	8240L18 08	ZS15-29/L18-8V	19	32	17	46	31	0,123
		18	10	M26x1,5	8040L18 10	8240L18 10	ZS15-29/L18-10V	19	32	19	46	31	0,133
		18	12	M26x1,5	8040L18 12	8240L18 12	ZS15-29/L18-12V	19	32	22	46	31	0,136
		18	15	M26x1,5	8040L18 15	8240L18 15	ZS15-29/L18-15V	22	32	27	48	33	0,160
		22	8	M30x2	8040L22 08	8240L22 08	ZS15-29/L22-8V	24	36	17	48	33	0,189
22		10	M30x2	8040L22 10	8240L22 10	ZS15-29/L22-10V	24	36	19	49	34	0,190	
22		12	M30x2	8040L22 12	8240L22 12	ZS15-29/L22-12V	24	36	22	49	34	0,191	
22		15	M30x2	8040L22 15	8240L22 15	ZS15-29/L22-15V	24	36	27	50	35	0,209	
22		18	M30x2	8040L22 18	8240L22 18	ZS15-29/L22-18V	27	36	32	51	34,5	0,230	
250		28	10	M36x2	8040L28 10	8240L28 10	ZS15-29/L28-10V	30	41	19	49	34	0,257
		28	12	M36x2	8040L28 12	8240L28 12	ZS15-29/L28-12V	30	41	22	49	34	0,265
		28	15	M36x2	8040L28 15	8240L28 15	ZS15-29/L28-15V	30	41	27	50	35	0,279
		28	18	M36x2	8040L28 18	8240L28 18	ZS15-29/L28-18V	30	41	32	51	34,5	0,308
		28	22	M36x2	8040L28 22	8240L28 22	ZS15-29/L28-22V	30	41	36	53	36,5	0,345
		35	15	M45x2	8040L35 15	8240L35 15	ZS15-29/L35-15V	36	50	27	56	40,5	0,440
	35	18	M45x2	8040L35 18	8240L35 18	ZS15-29/L35-18V	36	50	32	56	40	0,450	
	35	22	M45x2	8040L35 22	8240L35 22	ZS15-29/L35-22V	36	50	36	58	42	0,455	
	35	28	M45x2	8040L35 28	8240L35 28	ZS15-29/L35-28V	36	50	41	59	42	0,425	
	42	22	M52x2	8040L42 22	8240L42 22	ZS15-29/L42-22V	46	60	36	61	44,5	0,667	
	42	28	M52x2	8040L42 28	8240L42 28	ZS15-29/L42-28V	46	60	41	61	44,5	0,668	
	42	35	M52x2	8040L42 35	8240L42 35	ZS15-29/L42-35V	46	60	50	65	43,5	0,720	

Standpipe reducers for tube

pre-assembled ring

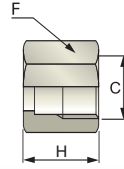


PN	ØD1	ØD2	C	legris		Bell code	F1	F2	F3	L1	L2	kg	
				Body only	Double-bite ring								
630	8	6	M16x1,5	8040S08 06	8240S08 06	ZS15-29/S8-6V	14	19	17	43	28	0,064	
	10	6	M18x1,5	8040S10 06	8240S10 06	ZS15-29/S10-6V	14	22	17	45	30,5	0,074	
	10	8	M18x1,5	8040S10 08	8240S10 08	ZS15-29/S10-8V	17	22	19	45	30,5	0,084	
	12	6	M20x1,5	8040S12 06	8240S12 06	ZS15-29/S12-6V	14	24	17	47	32,5	0,091	
	12	8	M20x1,5	8040S12 08	8240S12 08	ZS15-29/S12-8V	17	24	19	47	32,5	0,098	
	12	10	M20x1,5	8040S12 10	8240S12 10	ZS15-29/S12-10V	19	24	22	48	32	0,114	
	14	10	M22x1,5	8040S14 10	8240S14 10	ZS15-29/S14-10V	19	27	22	52	36	0,136	
	14	12	M22x1,5	8040S14 12	8240S14 12	ZS15-29/S14-12V	22	27	24	52	36	0,144	
	16	6	M24x1,5	8040S16 06	8240S16 06	ZS15-29/S16-6V	17	30	17	53	38,5	0,147	
	16	8	M24x1,5	8040S16 08	8240S16 08	ZS15-29/S16-8V	17	30	19	53	38,5	0,153	
	16	10	M24x1,5	8040S16 10	8240S16 10	ZS15-29/S16-10V	19	30	22	54	38	0,163	
	16	12	M24x1,5	8040S16 12	8240S16 12	ZS15-29/S16-12V	22	30	24	55	38,5	0,183	
	16	14	M24x1,5	8040S16 14	8240S16 14	ZS15-29/S16-14V	22	30	27	57	39,5	0,190	
	S	20	8	M30x2	8040S20 08	8240S20 08	ZS15-29/S20-8V	22	36	19	58	43	0,234
20		10	M30x2	8040S20 10	8240S20 10	ZS15-29/S20-10V	22	36	22	59	42,5	0,239	
20		12	M30x2	8040S20 12	8240S20 12	ZS15-29/S20-12V	22	36	24	59	42,5	0,245	
20		16	M30x2	8040S20 16	8240S20 16	ZS15-29/S20-16V	24	36	30	62	43,5	0,274	
25		8	M36x2	8040S25 08	8240S25 08	ZS15-29/S25-8V	27	46	19	62	47,5	0,400	
25		10	M36x2	8040S25 10	8240S25 10	ZS15-29/S25-10V	27	46	22	63	47	0,410	
25		12	M36x2	8040S25 12	8240S25 12	ZS15-29/S25-12V	27	46	24	63	47	0,418	
25		16	M36x2	8040S25 16	8240S25 16	ZS15-29/S25-16V	27	46	30	66	48	0,437	
25		20	M36x2	8040S25 20	8240S25 20	ZS15-29/S25-20V	30	46	36	70	48	0,445	
30		16	M42x2	8040S30 16	8240S30 16	ZS15-29/S30-16V	32	50	30	71	52,5	0,556	
30		20	M42x2	8040S30 20	8240S30 20	ZS15-29/S30-20V	32	50	36	74	52,5	0,586	
30		25	M42x2	8040S30 25	8240S30 25	ZS15-29/S30-25V	36	50	46	77	53	0,697	
315		38	20	M52x2	8040S38 20	8240S38 20	ZS15-29/S38-20V	41	60	36	79	57,5	0,902
		38	25	M52x2	8040S38 25	8240S38 25	ZS15-29/S38-25V	41	60	46	82	58	0,958
	38	30	M52x2	8040S38 30	8240S38 30	ZS15-29/S38-30V	46	60	50	89	58,5	1,001	

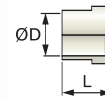
Nuts Flare sleeves Intermediate cones

Connection components
for 24°/ 37° adaptors
DIN 3949

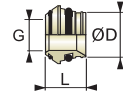
8430



8431



8432



	PN	ØD	C	Nut	Bell code	F	H	kg	
L	400	6	M12x1,5	8430L06 00	12-30/L6	14	17	0,011	
		8	M14x1,5	8430L08 00	12-30/L8	17	18	0,018	
		10	M16x1,5	8430L10 00	12-30/L10	19	19,5	0,023	
		12	M18x1,5	8430L12 00	12-30/L12	22	20,5	0,031	
		15	M22x1,5	8430L15 00	12-30/L15	27	23	0,055	
	315	18	M26x1,5	8430L18 00	12-30/L18	32	23	0,074	
		22	M30x2	8430L22 00	12-30/L22	36	27,5	0,105	
		28	M36x2	8430L28 00	12-30/L28	41	27,5	0,112	
		35	M45x2	8430L35 00	12-30/L35	50	30	0,164	
		42	M52x2	8430L42 00	12-30/L42	60	34	0,299	
S	630	6	M14x1,5	8430S06 00	12-30/S6	17	18	0,019	
		8	M16x1,5	8430S08 00	12-30/S8	19	19	0,025	
		10	M18x1,5	8430S10 00	12-30/S10	22	20,5	0,036	
		12	M20x1,5	8430S12 00	12-30/S12	24	21	0,041	
		16	M24x1,5	8430S16 00	12-30/S16	30	26,5	0,083	
	400	20	M30x2	8430S20 00	12-30/S20	36	27,5	0,105	
		25	M36x2	8430S25 00	12-30/S25	46	30,5	0,205	
		30	M42x2	8430S30 00	12-30/S30	50	32	0,228	
		315	38	M52x2	8430S38 00	12-30/S38	60	38	0,374

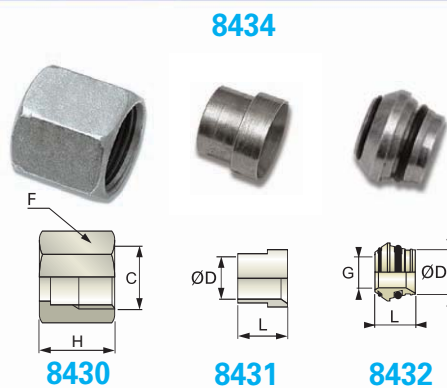
	PN	ØD	C	Flare sleeve	Bell code	L	kg	
L	400	6	M12x1,5	8431L06 00	12-31/L6	10,5	0,002	
		8	M14x1,5	8431L08 00	12-31/L8	11	0,002	
		10	M16x1,5	8431L10 00	12-31/L10	12,5	0,002	
		12	M18x1,5	8431L12 00	12-31/L12	13	0,005	
		15	M22x1,5	8431L15 00	12-31/L15	14	0,011	
	315	18	M26x1,5	8431L18 00	12-31/L18	14,5	0,016	
		22	M30x2	8431L22 00	12-31/L22	18	0,017	
		28	M36x2	8431L28 00	12-31/L28	17	0,022	
		35	M45x2	8431L35 00	12-31/L35	19	0,042	
		42	M52x2	8431L42 00	12-31/L42	21	0,059	
S	630	6	M14x1,5	8431S06 00	12-31/S6	10,5	0,002	
		8	M16x1,5	8431S08 00	12-31/S8	11	0,002	
		10	M18x1,5	8431S10 00	12-31/S10	12,5	0,002	
		12	M20x1,5	8431S12 00	12-31/S12	13	0,005	
		16	M24x1,5	8431S16 00	12-31/S16	17	0,008	
	400	20	M30x2	8431S20 00	12-31/S20	17,5	0,026	
		25	M36x2	8431S25 00	12-31/S25	20	0,022	
		30	M42x2	8431S30 00	12-31/S30	21,5	0,049	
		315	38	M52x2	8431S38 00	12-31/S38	26,5	0,051



106

	PN	ØD	Intermediate cone	Bell code	G	L	O-ring 1	O-ring 2	kg	
L	400	6	8432L06 00	12-32/BL6	3	11,5	4x1,5	4,4x0,8	0,003	
		8	8432L08 00	12-32/BL8	5	12	6x1,5	6x0,8	0,004	
		10	8432L10 00	12-32/BL10	6	12,5	7,5x1,5	7,5x0,8	0,006	
		12	8432L12 00	12-32/BL12	8	12,5	9x1,5	9,5x0,8	0,008	
		15	8432L15 00	12-32/BL15	11	12,5	12x2	12,5x0,8	0,010	
	315	18	8432L18 00	12-32/BL18	14	13	15x2	15x1	0,012	
		22	8432L22 00	12-32/BL22	17	14,2	20x2	18x1	0,018	
		28	8432L28 00	12-32/BL28	23	14,7	26x2	23x1	0,024	
		35	8432L35 00	12-32/BL35	28	18,5	32x2,5	30x1	0,049	
		42	8432L42 00	12-32/BL42	35	20,5	38x2,5	37x1	0,064	
S	630	6	8432S06 00	12-32/BL6	3	11,5	4x1,5	4,4x0,8	0,003	
		8	8432S08 00	12-32/BL8	5	12	6x1,5	6x0,8	0,004	
		10	8432S10 00	12-32/BL10	6	12,5	7,5x1,5	7,5x0,8	0,006	
		12	8432S12 00	12-32/BL12	8	12,5	9x1,5	9,5x0,8	0,008	
		16	8432S16 00	12-32/BS16	11	15	12x2	12,5x1	0,013	
	400	20	8432S20 00	12-32/BS20	14	18,5	16,3x2,4	16x1	0,022	
		25	8432S25 00	12-32/BS25	19	20	20,3x2,4	20x1	0,031	
		30	8432S30 00	12-32/BS30	23	22	25,3x2,4	25x1	0,042	
		315	38	8432S38 00	12-32/BS38	30	26	33,3x2,4	32x1,78	0,063

Adaptors for 24°/37° couplings

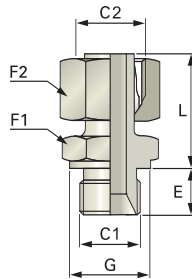
DIN 3949



	PN	ØD		Bell code		
L	400	6	8434L06 00	12-40/BL6	0,016	
		8	8434L08 00	12-40/BL8	0,024	
		10	8434L10 00	12-40/BL10	0,031	
		12	8434L12 00	12-40/BL12	0,044	
		15	8434L15 00	12-40/BL15	0,076	
	315	18	8434L18 00	12-40/BL18	0,102	
		22	8434L22 00	12-40/BL22	0,140	
		28	8434L28 00	12-40/BL28	0,158	
	250	35	8434L35 00	12-40/BL35	0,255	
		42	8434L42 00	12-40/BL42	0,422	
S	630	6	8434S06 00	12-40/BS6	0,024	
		8	8434S08 00	12-40/BS8	0,031	
		10	8434S10 00	12-40/BS10	0,044	
		12	8434S12 00	12-40/BS12	0,054	
		16	8434S16 00	12-40/BS16	0,104	
	400	20	8434S20 00	12-40/BS20	0,250	
		25	8434S25 00	12-40/BS25	0,258	
		30	8434S30 00	12-40/BS30	0,319	
		315	38	8434S38 00	12-40/BS38	0,488

BSP 60° adaptors

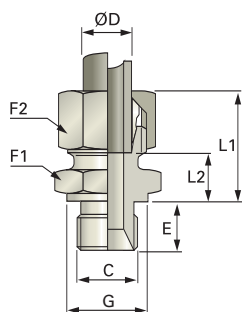
BSP parallel
pre-assembled ring



	PN	ØD	C1	C2	Double-bite ring	Bell code	E	F1	F2	G	L	
L	6	G1/8	M12x1,5	8260L06 10	ZS15-28/L6RB-KS	8	14	14	14	24,5	0,025	
	8	G1/4	M14x1,5	8260L08 13	ZS15-28/L8RB-KS	12	19	17	18	29,5	0,045	
	10	G1/4	M16x1,5	8260L10 13	ZS15-28/L10RB-KS	12	19	19	18	27,5	0,047	
	12	G3/8	M18x1,5	8260L12 17	ZS15-28/L12RB-KS	12	22	22	22	34	0,063	
	15	G1/2	M22x1,5	8260L15 21	ZS15-28/L15RB-KS	14	27	27	26	32	0,115	
	18	G1/2	M26x1,5	8260L18 21	ZS15-28/L18RB-KS	14	27	32	26	31,5	0,129	
	22	G3/4	M30x2	8260L22 27	ZS15-28/L22RB-KS	16	32	36	32	32,5	0,176	
	250	28	G1	M36x2	8260L28 34	ZS15-28/L28RB-KS	18	41	41	39	35	0,247
	35	G1"1/4	M45x2	8260L35 42	ZS15-28/L35RB-KS	20	50	50	49	42,5	0,407	
	42	G1"1/2	M52x2	8260L42 49	ZS15-28/L42RB-KS	22	55	60	55	46,5	0,456	
S	6	G1/4	M14x1,5	8260S06 13	ZS15-28/S6RB-KS	12	19	17	18	27	0,05	
	8	G1/4	M16x1,5	8260S08 13	ZS15-28/S8RB-KS	12	19	19	18	29,5	0,055	
	630*	10	G3/8	M18x1,5	8260S10 17	ZS15-28/S10RB-KS	12	22	22	22	32	0,082
	12	G3/8	M20x1,5	8260S12 17	ZS15-28/S12RB-KS	12	22	24	22	34	0,095	
	14	G1/2	M22x1,5	8260S14 21	ZS15-28/S14RB-KS	14	27	27	26	36,5	0,148	
	16	G1/2	M24x1,5	8260S16 21	ZS15-28/S16RB-KS	14	27	30	26	37	0,154	
	400	20	G3/4	M30x2	8260S20 27	ZS15-28/S20RB-KS	16	32	36	32	43	0,253
	25	G1	M36x2	8260S25 34	ZS15-28/S25RB-KS	18	41	46	39	48	0,465	
	250	30	G1"1/4	M42x2	8260S30 42	ZS15-28/S30RB-KS	20	50	50	49	51	0,644
	38	G1"1/2	M52x2	8260S38 49	ZS15-28/S38RB-KS	22	55	60	55	60	0,889	

* Safety factor 3

BSP 60° adaptors

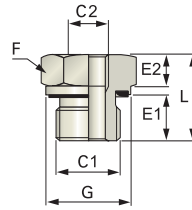


PN	ØD	C	Body only	Double-bite ring	Bell code	E	F1	F2	G	L1	L2	
L	315	6 G1/8	8061L06 10	8261L06 10	ZS15-01/L6RB-KS	8	14	14	14	23	8,5	0,025
		6 G1/4	8061L06 13	8261L06 13	ZS15-01/L6RB1/4"-KS	12	19	14	18	25	10	0,040
		8 G1/4	8061L08 13	8261L08 13	ZS15-01/L8RB-KS	12	19	17	18	25	10	0,045
		8 G3/8	8061L08 17	8261L08 17	ZS15-01/L8RB3/8"-KS	12	22	17	22	26	11,5	0,062
		10 G1/4	8061L10 13	8261L10 13	ZS15-01/L10RB-KS	12	19	319	18	26	11	0,047
		10 G3/8	8061L10 17	8261L10 17	ZS15-01/L10RB3/8"-KS	12	22	19	22	27	12,5	0,063
		10 G1/2	8061L10 21	8261L10 21	ZS15-01/L10RB1/2"-KS	14	27	19	26	28	13	0,095
		12 G1/4	8061L12 13	8261L12 13	ZS15-01/L12RB1/4"-KS	12	19	22	18	26	11	0,06
		12 G3/8	8061L12 17	8261L12 17	ZS15-01/L12RB-KS	12	22	22	22	27	12,5	0,069
		12 G1/2	8061L12 21	8261L12 21	ZS15-01/L12RB1/2"-KS	14	27	22	26	28	13	0,098
		15 G3/8	8061L15 17	8261L15 17	ZS15-01/L15RB3/8"-KS	12	22	27	22	29	13,5	0,1
		15 G1/2	8061L15 21	8261L15 21	ZS15-01/L15RB-KS	14	27	27	26	29	14	0,115
		18 G1/2	8061L18 21	8261L18 21	ZS15-01/L18RB-KS	14	27	32	26	31	14,5	0,129
		18 G3/4	8061L18 27	8261L18 27	ZS15-01/L18RB3/4"-KS	16	32	32	32	31	14,5	0,19
		22 G3/4	8061L22 27	8261L22 27	ZS15-01/L22RB-KS	16	32	36	32	33	16,5	0,176
		28 G1	8061L28 34	8261L28 34	ZS15-01/L28RB-KS	18	41	41	39	34	17,5	0,247
		35 G1"1/4	8061L35 42	8261L35 42	ZS15-01/L35RB-KS	20	50	50	49	39	17,5	0,407
		42 G1"1/2	8061L42 49	8261L42 49	ZS15-01/L42RB-KS	22	500	60	55	42	19	0,456
S	PB 630*	6 G1/4	8061S06 13	8261S06 13	ZS15-01/S6RB-KS	12	19	17	18	28	13	0,05
		8 G1/4	8061S08 13	8261S08 13	ZS15-01/S8RB-KS	12	19	19	18	30	15	0,055
		10 G3/8	8061S10 17	8261S10 17	ZS15-01/S10RB-KS	12	22	22	22	31	15	0,082
		12 G3/8	8061S12 17	8261S12 17	ZS15-01/S12RB-KS	12	22	24	22	33	17	0,095
		12 G1/2	8061S12 21	8261S12 21	ZS15-01/S12RB1/2"-KS	14	27	24	26	34	17,5	0,125
		14 G1/2	8061S14 21	8261S14 21	ZS15-01/S14RB-KS	14	27	27	26	37	19	0,148
		16 G1/2	8061S16 21	8261S16 21	ZS15-01/S16RB-KS	14	27	30	26	37	18,5	0,154
		20 G3/4	8061S20 27	8261S20 27	ZS15-01/S20RB-KS	16	32	36	32	42	20,5	0,253
		25 G3/4	8061S25 27	8261S25 27	ZS15-01/S25RB3/4"-KS	16	41	46	32	47	23	0,378
		25 G1	8061S25 34	8261S25 34	ZS15-01/S25RB-KS	18	41	46	39	47	23	0,465
		30 G1	8061S30 34	8261S30 34	ZS15-01/S30RB1"-KS	18	46	50	39	50	23,5	0,588
		30 G1"1/4	8061S30 42	8261S30 42	ZS15-01/S30RB-KS	20	50	50	49	50	23,5	0,645
38 G1"1/2	8061S38 49	8261S38 49	ZS15-01/S38RB-KS	22	55	60	55	57	26	0,889		

* Safety factor 3

Male-female reducer adaptors

BSP parallel
elastomer seal
ISO 1179-2

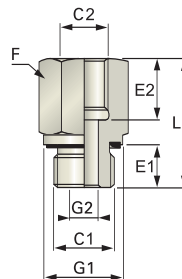


PN	C1	C2		Bell code	E1	E2	F	G	L	
630	G3/8	G1/8	8075 17 10	17-123/AR3/8-IR1/8/D	12	8	22	21,9	22,5	0,040
	G1/2	G1/8	8075 21 10	17-123/AR1/2-IR1/8/D	14	8	27	26,9	24	0,069
	G1/2	G1/4	8075 21 13	17-123/AR1/2-IR1/4/D	14	12	27	26,9	24	0,060
	G3/4	G1/4	8075 27 13	17-123/AR3/4-IR1/4/D	16	12	32	31,9	26	0,095
	G3/4	G3/8	8075 27 17	17-123/AR3/4-IR3/8/D	16	12	32	31,9	26	0,090
400	G1	G1/4	8075 34 13	17-123/AR1-IR1/4/D	18	12	41	39,9	29	0,200
	G1	G3/8	8075 34 17	17-123/AR1-IR3/8/D	18	12	41	39,9	29	0,180
	G1	G1/2	8075 34 21	17-123/AR1-IR1/2/D	18	14	41	39,9	29	0,160
	G1"1/4	G1/2	8075 42 21	17-123/AR1 1/4-IR1/2/D	20	14	50	49,9	32	0,310
	G1"1/4	G3/4	8075 42 27	17-123/AR1 1/4-IR3/4/D	20	16	50	49,9	32	0,270
315	G1"1/2	G1/2	8075 49 21	17-123/AR1 1/2-IR1/2/D	22	14	55	54,9	36	0,470
	G1"1/2	G3/4	8075 49 27	17-123/AR1 1/2-IR3/4/D	22	16	55	54,9	36	0,430
	G1"1/2	G1	8075 49 34	17-123/AR1 1/2-IR1/D	22	18	55	54,9	36	0,345

110

Male-female reducer adaptors

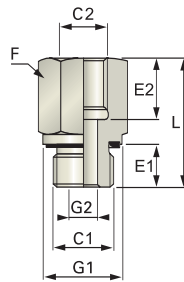
BSP parallel
elastomer seal
ISO 1179-2





PN	C1	C2		Bell code	E1	E2	F	G1	G2	L	
630	G1/4	G1/8	8078 13 10	17-122/AR1/4-IR1/8/D	12	12	19	18,9	5	29	0,038
	G3/8	G1/4	8078 17 13	17-122/AR3/8-IR1/4/D	12	17	22	21,9	8	36	0,030
	G1/2	G3/8	8078 21 17	17-122/AR1/2-IR3/8/D	14	17	27	26,9	12	37	0,098
400	G3/4	G1/2	8078 27 21	17-122/AR3/4-IR1/2/D	16	20	32	31,9	16	43	0,145
	G1	G3/4	8078 34 27	17-122/AR1-IR3/4/D	18	22	41	39,9	20	47	0,280
	G1"1/4	G1	8078 42 34	17-122/AR1 1/4-IR1/D	20	24,5	50	49,9	25	53	0,459
315	G1"1/2	G1"1/4	8078 49 42	17-122/AR1 1/2-IR1 1/4/D	22	26,5	55	54,9	32	58	0,530
250	G2	G1"1/2	8078 48 49	17-122/AR2-IR1 1/2/D	24	28,5	70	68,9	40	65	0,995

Male-female increaser adaptors

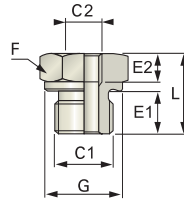
BSP parallel
elastomer seal
ISO 1179-2



PN	C1	C2		Bell code	E1	E2	F	G1	G2	L	
630	G1/8	G1/4	8079 10 13	17-122/AR1/8-IR1/4/D	8	17	19	13,9	4	31	0,036
	G1/8	G3/8	8079 10 17	17-122/AR1/8-IR3/8/D	8	17	22	13,9	4	32	0,045
	G1/4	G3/8	8079 13 17	17-122/AR1/4-IR3/8/D	12	17	22	18,9	5	36	0,066
	G1/4	G1/2	8079 13 21	17-122/AR1/4-IR1/2/D	12	20	27	18,9	5	40	0,085
	G1/4	G3/4	8079 13 27	17-122/AR1/4-IR3/4/D	12	22	36	18,9	5	43	0,173
	G3/8	G1/2	8079 17 21	17-122/AR3/8-IR1/2/D	12	20	27	21,9	8	41	0,090
400	G3/8	G3/4	8079 17 27	17-122/AR3/8-IR3/4/D	12	22	36	21,9	8	44	0,175
	G1/2	G3/4	8079 21 27	17-122/AR1/2-IR3/4/D	14	22	36	26,9	12	46	0,180
	G1/2	G1	8079 21 34	17-122/AR1/2-IR1/D	14	24,5	41	26,9	12	49	0,225
	G1/2	G1"1/4	8079 21 42	17-122/AR1/2-IR1 1/4/D	14	26,5	55	26,9	12	53	0,470
	G3/4	G1	8079 27 34	17-122/AR3/4-IR1/D	16	24,5	41	31,9	16	51	0,235
	G3/4	G1"1/4	8079 27 42	17-122/AR3/4-IR1 1/4/D	16	26,5	55	31,9	16	55	0,483
315	G1	G1"1/4	8079 34 42	17-122/AR1-IR1 1/4/D	18	26,5	55	39,9	20	57	0,510
	G3/4	G1"1/2	8079 27 49	17-122/AR3/4-IR1 1/2/D	16	28,5	60	31,9	16	57	0,545
	G1	G1"1/2	8079 34 49	17-122/AR1-IR1 1/2/D	18	28,5	60	39,9	20	59	0,565
	G1"1/4	G1"1/2	8079 42 49	17-122/AR1 1/4-IR1 1/2/D	20	28,5	60	49,9	25	60	0,580

Male-female reducer adaptors

BSP parallel
ISO 1179-4

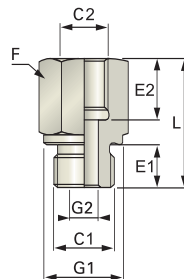


PN	C1	C2		Bell code	E1	E2	F	G	L	
630	G3/8	G1/8	8065 17 10	17-123/AR3/8"-IR1/8"	12	8	22	22	22,5	0,040
	G1/2	G1/8	8065 21 10	17-123/AR1/2"-IR1/8"	14	8	27	26	24	0,069
	G1/2	G1/4	8065 21 13	17-123/AR1/2"-IR1/4"	14	12	27	26	24	0,060
	G3/4	G1/4	8065 27 13	17-123/AR3/4"-IR1/4"	16	12	32	32	26	0,095
400	G3/4	G3/8	8065 27 17	17-123/AR3/4"-IR3/8"	16	12	32	32	26	0,090
	G1	G1/4	8065 34 13	17-123/AR1"-IR1/4"	18	12	41	39	29	0,200
	G1	G3/8	8065 34 17	17-123/AR1"-IR3/8"	18	12	41	39	29	0,180
	G1	G1/2	8065 34 21	17-123/AR1"-IR1/2"	18	14	41	39	29	0,160
250	G1"1/4	G1/2	8065 42 21	17-123/AR1 1/4"-IR1/2"	20	14	50	49	32	0,310
	G1"1/4	G3/4	8065 42 27	17-123/AR1 1/4"-IR3/4"	20	16	50	49	32	0,270
	G1"1/2	G1/2	8065 49 21	17-123/AR1 1/2"-IR1/2"	22	14	55	55	36	0,470
	G1"1/2	G3/4	8065 49 27	17-123/AR1 1/2"-IR3/4"	22	16	55	55	36	0,430
	G1"1/2	G1	8065 49 34	17-123/AR1 1/2"-IR1"	22	18	55	55	36	0,345

112

Male-female reducer adaptors

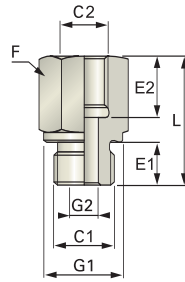
BSP parallel
ISO 1179-4





PN	C1	C2		Bell code	E1	E2	F	G1	G2	L	
630	G1/4	G1/8	8068 13 10	17-122/AR1/4"-IR1/8"	12	12	19	18	5	28	0,036
	G3/8	G1/4	8068 17 13	17-122/AR3/8"-IR1/4"	12	17	22	22	8	36	0,030
	G1/2	G3/8	8068 21 17	17-122/AR1/2"-IR3/8"	14	17	27	26	12	36	0,095
400	G3/4	G1/2	8068 27 21	17-122/AR3/4"-IR1/2"	16	20	32	32	16	41	0,150
	G1	G3/4	8068 34 27	17-122/AR1"-IR3/4"	18	22	41	39	20	47	0,280
250	G1"1/4	G1	8068 42 34	17-122/AR1 1/4"-IR1"	20	24,5	50	49	25	52	0,455
	G1"1/2	G1"1/4	8068 49 42	17-122/AR1 1/2"-IR1 1/4"	22	26,5	55	55	32	58	0,530

Male-female increaser adaptors

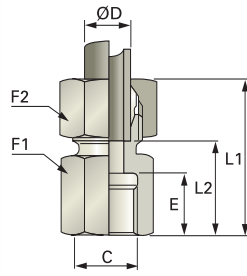
BSP parallel
sealing O-ring
ISO 1179-4



PN	C1	C2		Bell code	E1	E2	F	G1	G2	L	
630	G1/8	G1/4	8069 10 13	17-122/AR1/8"-IR1/4"	8	17	19	14	4	31	0,036
	G1/8	G3/8	8069 10 17	17-122/AR1/8"-IR3/8"	8	17	22	14	4	32	0,045
	G1/4	G3/8	8069 13 17	17-122/AR1/4"-IR3/8"	12	17	22	18	5	36	0,066
	G1/4	G1/2	8069 13 21	17-122/AR1/4"-IR1/2"	12	20	27	18	5	40	0,085
	G3/8	G1/2	8069 17 21	17-122/AR3/8"-IR1/2"	12	20	27	22	8	41	0,090
400	G1/4	G3/4	8069 13 27	17-122/AR1/4"-IR3/4"	12	22	36	18	5	43	0,173
	G3/8	G3/4	8069 17 27	17-122/AR3/8"-IR3/4"	12	22	36	22	8	44	0,175
	G1/2	G3/4	8069 21 27	17-122/AR1/2"-IR3/4"	14	22	36	26	12	46	0,180
	G1/2	G1	8069 21 34	17-122/AR1/2"-IR1"	14	24,5	41	26	12	49	0,225
	G3/4	G1	8069 27 34	17-122/AR3/4"-IR1"	16	24,5	41	32	16	51	0,235
250	G1/2	G1"1/4	8069 21 42	17-122/AR1/2"-IR1 1/4"	14	26,5	55	26	12	53	0,470
	G3/4	G1"1/4	8069 27 42	17-122/AR3/4"-IR1 1/4"	16	26,5	55	32	16	55	0,483
	G3/4	G1"1/2	8069 27 49	17-122/AR3/4"-IR1 1/2"	16	28,5	60	32	16	57	0,545
	G1	G1"1/4	8069 34 42	17-122/AR1"-IR1 1/4"	18	26,5	55	39	20	57	0,510
	G1	G1"1/2	8069 34 49	17-122/AR1"-IR1 1/2"	18	28,5	60	39	20	59	0,565
	G1"1/4	G1"1/2	8069 42 49	17-122/AR1 1/4"-IR1 1/2"	20	28,5	60	49	25	60	0,580

Female adaptors

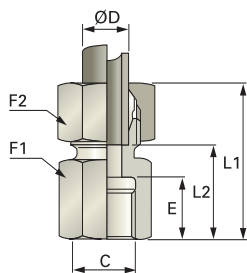
BSP parallel



	PN	ØD	C	Body only	Double-bite ring	Bell code	E	F1	F2	L1	L2	kg	
L	400	6	G1/8	8014L06 10	8214L06 10	ZS15-24/L6R	12	14	14	34	19	0,025	
		6	G3/8	8014L06 17	8214L06 17	ZS15-24/L6R3/8"	12	22	14	36	21	0,053	
		8	G1/4	8014L08 13	8214L08 13	ZS15-24/L8R	17	19	17	39	24	0,045	
		8	G3/8	8014L08 17	8214L08 17	ZS15-24/L8R3/8"	12	22	17	36	21	0,058	
		10	G1/4	8014L10 13	8214L10 13	ZS15-24/L10R	17	19	19	40	25	0,055	
		10	G3/8	8014L10 17	8214L10 17	ZS15-24/L10R3/8"	12	22	19	36	21	0,057	
		10	G1/2	8014L10 21	8214L10 21	ZS15-24/L10R1/2"	14,5	27	19	39	24	0,070	
		12	G3/8	8014L12 17	8214L12 17	ZS15-24/L12R	12	22	22	36	21	0,090	
		12	G1/2	8014L12 21	8214L12 21	ZS15-24/L12R1/2"	14	27	22	39	24	0,092	
		15	G1/2	8014L15 21	8214L15 21	ZS15-24/L15R	20	27	27	46	31	0,130	
		315	18	G1/2	8014L18 21	8214L18 21	ZS15-24/L18R	20	27	32	47	30,5	0,150
			22	G3/4	8014L22 27	8214L22 27	ZS15-24/L22R	22	36	36	52	35,5	0,255
		250	28	G1	8014L28 34	8214L28 34	ZS15-24/L28R	24,5	41	41	55	38	0,300
			35	G1"1/4	8014L35 42	8214L35 42	ZS15-24/L35R	26,5	55	50	63	41	0,420
		42	G1"1/2	8014L42 49	8214L42 49	ZS15-24/L42R	28,5	60	60	65	42,5	0,605	
S	630	6	G1/4	8014S06 13	8214S06 13	ZS15-24/S6R	17	19	17	41	26	0,060	
		8	G1/4	8014S08 13	8214S08 13	ZS15-24/S8R	17	19	19	41	26	0,065	
		10	G3/8	8014S10 17	8214S10 17	ZS15-24/S10R	17	24	22	43	26,5	0,090	
		12	G3/8	8014S12 17	8214S12 17	ZS15-24/S12R	17	24	24	43	26,5	0,105	
		14	G1/2	8014S14 21	8214S14 21	ZS15-24/S14R	20	27	27	50	32	0,130	
		16	G1/2	8014S16 21	8214S16 21	ZS15-24/S16R	20	27	30	50	31,5	0,160	
		400	20	G3/4	8014S20 27	8214S20 27	ZS15-24/S20R	22	36	36	56	34,5	0,260
			25	G1	8014S25 34	8214S25 34	ZS15-24/S25R	24,5	41	46	62	37,5	0,400
			30	G1"1/4	8014S30 42	8214S30 42	ZS15-24/S30R	26,5	55	50	69	42	0,720
		315	38	G1"1/2	8014S38 49	8214S38 49	ZS15-24/S38R	28,5	60	60	74	43,5	0,855

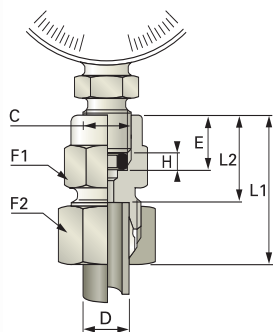
Female adaptors

metric parallel



	PN	ØD	C	Body only	Double-bite ring	Bell code	E	F1	F2	L1	L2	kg	
L	400	6	M10x1	8014L06 60	8214L06 60	ZS15-24/L6M	12,5	14	14	34	19,5	0,025	
		8	M12x1,5	8014L08 67	8214L08 67	ZS15-24/L8M	17	17	17	39	24	0,040	
		8	M22x1,5	8014L08 82	8214L08 82	ZS15-24/L8M22X1,5	12	27	17	35	20	0,068	
		10	M14x1,5	8014L10 71	8214L10 71	ZS15-24/L10M	17	19	19	40	25	0,050	
		10	M22x1,5	8014L10 82	8214L10 82	ZS15-24/L10M22X1,5	12	27	19	36	21	0,074	
		12	M16x1,5	8014L12 75	8214L12 75	ZS15-24/L12M	17	22	22	41	26	0,080	
		12	M22x1,5	8014L12 82	8214L12 82	ZS15-24/L12M22X1,5	12	27	22	36	21	0,080	
		15	M18x1,5	8014L15 78	8214L15 78	ZS15-24/L15M	17	24	27	43	28	0,100	
		315	18	M22x1,5	8014L18 82	8214L18 82	ZS15-24/L18M	19	27	32	46	29,5	0,170
			22	M26x1,5	8014L22 89	8214L22 89	ZS15-24/L22M	21	32	36	51	34,5	0,180
S	630	6	M12x1,5	8014S06 67	8214S06 67	ZS15-24/S6M	17	17	17	41	26	0,045	
		8	M14x1,5	8014S08 71	8214S08 71	ZS15-24/S8M	17	19	19	41	26	0,062	
		10	M16x1,5	8014S10 75	8214S10 75	ZS15-24/S10M	17	22	22	43	26,5	0,080	
		12	M18x1,5	8014S12 78	8214S12 78	ZS15-24/S12M	17	24	24	44	27,5	0,105	
		14	M20x1,5	8014S14 80	8214S14 80	ZS15-24/S14M	19	27	27	49	31	0,135	
		400	16	M22x1,5	8014S16 82	8214S16 82	ZS15-24/S16M	19	27	30	49	30,5	0,185
			20	M27x2	8014S20 86	8214S20 86	ZS15-24/S20M	22	36	36	56	34,5	0,255

Standpipe couplings for pressure gauge connection

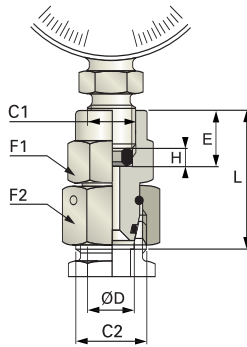




	PN	ØD	C	Body only	Double-bite ring	Bell code	E	F1	F2	L1	L2	H	kg
L	400	6	G1/4	8V34L06 13	8234L06 13	ZS15-23/L6R	14,5	19	14	37	22	4,5	0,047
		8	G1/4	8V34L08 13	8234L08 13	ZS15-23/L8R	14,5	19	17	37	22	4,5	0,054
		10	G1/4	8V34L10 13	8234L10 13	ZS15-23/L10R	14,5	19	19	38	23	4,5	0,063
		12	G1/4	8V34L12 13	8234L12 13	ZS15-23/L12R	14,5	19	22	38	23	4,5	0,070
S	630	6	G1/2	8V34S06 21	8234S06 21	ZS15-23/S6R	20	27	17	46	31	5	0,105
		8	G1/2	8V34S08 21	8234S08 21	ZS15-23/S8R	20	27	19	46	31	5	0,107
		10	G1/2	8V34S10 21	8234S10 21	ZS15-23/S10R	20	27	22	47	30,5	5	0,125
		12	G1/2	8V34S12 21	8234S12 21	ZS15-23/S12R	20	27	24	47	30,5	5	0,134

Supplied with seal ring

Standpipe couplings for pressure gauge connection

24° sealing cone and O-ring

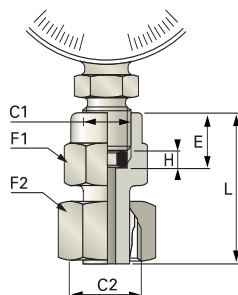


	PN	ØD	C1	C2		Bell code	E	F1	F2	H	L	O-ring	
L	400	6	G1/4	M12x1,5	8514L06 13	14/2-23/L6R-DM	14,5	19	14	4,5	35,5	4x1,5	0,011
		8	G1/4	M14x1,5	8514L08 13	14/2-23/L8R-DM	14,5	19	17	4,5	35,5	6x1,5	0,016
		10	G1/4	M16x1,5	8514L10 13	14/2-23/L10R-DM	14,5	19	19	4,5	36	7,5x1,5	0,019
		12	G1/4	M18x1,5	8514L12 13	14/2-23/L12R-DM	14,5	19	22	4,5	36	9x1,5	0,025
S	630	6	G1/4	M14x1,5	8514S06 13	14/2-23/S6R1/4"-DM	14,5	19	17	4,5	36	4x1,5	0,016
		6	G1/2	M14x1,5	8514S06 21	14/2-23/S6R-DM	20	27	17	5	43	4x1,5	0,019
		8	G1/4	M16x1,5	8514S08 13	14/2-23/S8R1/4"-DM	14,5	19	19	4,5	36	6x1,5	0,019
		8	G1/2	M16x1,5	8514S08 21	14/2-23/S8R-DM	20	27	19	5	43	6x1,5	0,021
		10	G1/4	M18x1,5	8514S10 13	14/2-23/S10R1/4"-DM	14,5	19	22	4,5	37,5	7,5x1,5	0,025
		10	G1/2	M18x1,5	8514S10 21	14/2-23/S10R-DM	20	27	22	5	43,5	7,5x1,5	0,028
		12	G1/4	M20x1,5	8514S12 13	14/2-23/S12R1/4"-DM	14,5	19	24	4,5	39	9x1,5	0,034
		12	G1/2	M20x1,5	8514S12 21	14/2-23/S12R-DM	20	27	24	5	45	9x1,5	0,037

Supplied with seal ring

Standpipe couplings for pressure gauge connection

BSP parallel pre-assembled ring

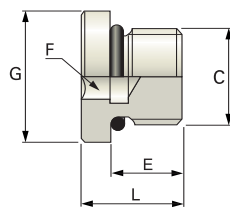




	PN	ØD	C1	C2	Double-bite ring	Bell code	E	F1	F2	H	L	
L	400	6	G1/4	M12x1,5	8244L06 13	ZS15/2-23/L6R	14,5	19	14	4,5	38	0,046
		8	G1/4	M14x1,5	8244L08 13	ZS15/2-23/L8R	14,5	19	17	4,5	38	0,053
		10	G1/4	M16x1,5	8244L10 13	ZS15/2-23/L10R	14,5	19	19	4,5	39,5	0,062
		12	G1/4	M18x1,5	8244L12 13	ZS15/2-23/L12R	14,5	19	22	4,5	40,5	0,070
S	630	6	G1/2	M14x1,5	8244S06 21	ZS15/2-23/S6R	20	27	17	5	45	0,105
		8	G1/2	M16x1,5	8244S08 21	ZS15/2-23/S8R	20	27	19	5	45	0,107
		10	G1/2	M18x1,5	8244S10 21	ZS15/2-23/S10R	20	27	22	5	47	0,125
		12	G1/2	M20x1,5	8244S12 21	ZS15/2-23/S12R	20	27	24	5	47,5	0,134

Supplied with seal ring

Internal hexagon head plug

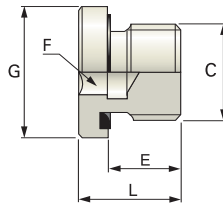
metric parallel
O-ring



PB	C		Bell code	E	F	G	L	O-ring	
630	M10x1	8023 60 00	15-34/MO10X1	9,5	5	13,8	13,5	8,1x1,6	0,007
	M12x1,5	8023 67 00	15-34/MO12X1,5	11	6	16,8	16	9,3x2,2	0,014
	M14x1,5	8023 71 00	15-34/MO14X1,5	11	6	18,8	16	11,3x2,2	0,020
	M16x1,5	8023 75 00	15-34/MO16X1,5	12,5	8	21,8	17,5	13,3x2,2	0,025
	M18x1,5	8023 78 00	15-34/MO18X1,5	14	8	23,8	19	15,3x2,2	0,031
	M20x1,5	8023 80 00	15-34/MO20X1,5	14	10	26,8	19	17,3x2,2	0,041
400	M22x1,5	8023 82 00	15-34/MO22X1,5	15	10	26,8	20	19,3x2,2	0,051
	M27x2	8023 86 00	15-34/MO27X2	18,5	12	31,8	23,5	23,6x2,9	0,079
	M33x2	8023 91 00	15-34/MO33X2	18,5	17	40,8	25	29,6x2,9	0,137
	M42x2	8023 96 00	15-34/MO42X2	19	22	49,8	25,5	38,6x2,9	0,196
315	M48x2	8023 98 00	15-34/MO48X2	21,5	24	54,8	28	44,6x2,9	0,298

Internal hexagon head plug

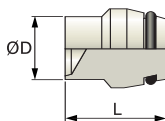
BSP parallel and metric parallel elastomer seal
ISO 1179-2 and ISO 9974-2



PB	C		Bell code	E	F	G	L	
400	M10x1	8022 60 00	15-34/M10X1	8	5	13,9	12	0,007
	M12x1,5	8022 67 00	15-34/M12X1,5	12	6	16,9	17	0,012
	M14x1,5	8022 71 00	15-34/M14X1,5	12	6	18,9	17	0,017
	M16x1,5	8022 75 00	15-34/M16X1,5	12	8	21,9	17	0,021
	M18x1,5	8022 78 00	15-34/M18X1,5	12	8	23,9	17	0,031
	M20x1,5	8022 80 00	15-34/M20X1,5	14	10	25,9	19	0,041
	M22x1,5	8022 82 00	15-34/M22X1,5	14	10	26,9	19	0,047
	M26x1,5	8022 89 00	15-34/M26X1,5	16	12	31,9	21	0,075
	M27x2	8022 86 00	15-34/M27X2	16	12	31,9	21	0,076
250	M33x2	8022 91 00	15-34/M33X2	16	17	39,9	22,5	0,127
	M42x2	8022 96 00	15-34/M42X2	16	22	49,9	22,5	0,216
400	M48x2	8022 98 00	15-34/M48X2	16	24	54,9	22,5	0,284
	G1/8	8022 10 00	15-34/R1/8"	8	5	13,9	12	0,007
	G1/4	8022 13 00	15-34/R1/4"	12	6	18,9	17	0,015
	G3/8	8022 17 00	15-34/R3/8"	12	8	21,9	17	0,023
	G1/2	8022 21 00	15-34/R1/2"	14	10	26,9	19	0,043
	G3/4	8022 27 00	15-34/R3/4"	16	12	31,9	21	0,076
250	G1	8022 34 00	15-34/R1"	16	17	39,9	22,5	0,130
	G1"1/4	8022 42 00	15-34/R1 1/4"	16	22	49,9	22,5	0,210
	G1"1/2	8022 49 00	15-34/R1 1/2"	16	24	54,9	22,5	0,266

Plugs for 24° cone

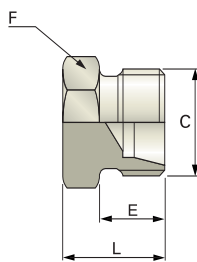
with and without nut
O-ring



	PN	ØD								
			without nut	Bell code	L	O-ring	kg	with nut	Bell code	kg
L	400	6	8026L06 00	15-370/L6	17,5	4x1,5	0,005	8026L06 01	15-37/L6	0,014
		8	8026L08 00	15-370/L8	18,5	6x1,5	0,008	8026L08 01	15-37/L8	0,022
		10	8026L10 00	15-370/L10	19	7,5x1,5	0,013	8026L10 01	15-37/L10	0,033
		12	8026L12 00	15-370/L12	19	9x1,5	0,018	8026L12 01	15-37/L12	0,043
		15	8026L15 00	15-370/L15	19,5	12x2	0,027	8026L15 01	15-37/L15	0,067
	315	18	8026L18 00	15-370/L18	20	15x2	0,038	8026L18 01	15-37/L18	0,098
		22	8026L22 00	15-370/L22	20,5	20x2	0,057	8026L22 01	15-37/L22	0,137
		28	8026L28 00	15-370/L28	21	26x2	0,093	8026L28 01	15-37/L28	0,178
	250	35	8026L35 00	15-370/L35	23,5	32x2,5	0,161	8026L35 01	15-37/L35	0,291
		42	8026L42 00	15-370/L42	23,5	38x2,5	0,224	8026L42 01	15-37/L42	0,434
S	630	6	8026S06 00	15-370/L6	17,5	4x1,5	0,005	8026S06 01	15-37/S6	0,020
		8	8026S08 00	15-370/L8	18,5	6x1,5	0,008	8026S08 01	15-37/S8	0,025
		10	8026S10 00	15-370/L10	19	7,5x1,5	0,013	8026S10 01	15-37/S10	0,043
		12	8026S12 00	15-370/L12	19	9x1,5	0,018	8026S12 01	15-37/S12	0,053
		14	8026S14 00	15-370/S14	20	10x2	0,024	8026S14 01	15-37/S14	0,074
	400	16	8026S16 00	15-370/S16	20	12x2	0,027	8026S16 01	15-37/S16	0,087
		20	8026S20 00	15-370/S20	24	16,3x2,4	0,062	8026S20 01	15-37/S20	0,157
		25	8026S25 00	15-370/S25	25	20,3x2,4	0,093	8026S25 01	15-37/S25	0,288
		30	8026S30 00	15-370/S30	26,5	25,3x2,4	0,133	8026S30 01	15-37/S30	0,348
		315	38	8026S38 00	15-370/S38	28,5	33,3x2,4	0,240	8026S38 01	15-37/S38

Plugs

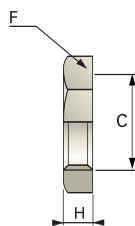
24° inner cones





	PN	ØD	C		Bell code	E	F	L		
L	400	6	M12x1,5	8025L06 00	15-360/L6	10	12	14	0,008	
		8	M14x1,5	8025L08 00	15-360/L8	10	14	15	0,012	
		10	M16x1,5	8025L10 00	15-360/L10	11	17	16	0,018	
		12	M18x1,5	8025L12 00	15-360/L12	11	19	17	0,025	
		15	M22x1,5	8025L15 00	15-360/L15	12	24	18	0,041	
	315	18	M26x1,5	8025L18 00	15-360/L18	12	27	19	0,059	
		22	M30x2	8025L22 00	15-360/L22	14	32	21	0,087	
		28	M36x2	8025L28 00	15-360/L28	14	41	22	0,143	
		250	35	M45x2	8025L35 00	15-360/L35	16	46	25	0,209
			42	M52x2	8025L42 00	15-360/L42	16	55	27	0,308
S	630	6	M14x1,5	8025S06 00	15-360/S6	12	14	18	0,017	
		8	M16x1,5	8025S08 00	15-360/S8	12	17	20	0,027	
		10	M18x1,5	8025S10 00	15-360/S10	12	19	20	0,033	
		12	M20x1,5	8025S12 00	15-360/S12	12	22	22	0,049	
		14	M22x1,5	8025S14 00	15-360/S14	14	24	24	0,063	
	400	16	M24x1,5	8025S16 00	15-360/S16	14	27	24	0,077	
		20	M30x2	8025S20 00	15-360/S20	16	32	28	0,127	
		25	M36x2	8025S25 00	15-360/S25	18	41	32	0,230	
		30	M42x2	8025S30 00	15-360/S30	20	46	34	0,309	
		315	38	M52x2	8025S38 00	15-360/S38	22	55	39	0,510

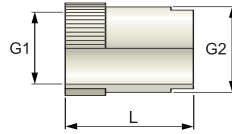
Lock nuts



DIN 80705



	ØD	C		Bell code	F	H	
L	6	M12x1,5	8V00L06 00	15-32/L6	17	6	0,007
	8	M14x1,5	8V00L08 00	15-32/L8	19	6	0,008
	10	M16x1,5	8V00L10 00	15-32/L10	22	6	0,011
	12	M18x1,5	8V00L12 00	15-32/L12	24	6	0,012
	15	M22x1,5	8V00L15 00	15-32/L15	30	7	0,023
	18	M26x1,5	8V00L18 00	15-32/L18	36	8	0,040
	22	M30x2	8V00L22 00	15-32/L22	41	8	0,049
	28	M36x2	8V00L28 00	15-32/L28	46	9	0,062
	35	M45x2	8V00L35 00	15-32/L35	55	9	0,077
	42	M52x2	8V00L42 00	15-32/L42	65	10	0,112
S	6	M14x1,5	8V00S08 00	15-32/S8	19	6	0,008
	8	M16x1,5	8V00S10 00	15-32/S10	22	6	0,011
	10	M18x1,5	8V00S12 00	15-32/S12	24	6	0,012
	12	M20x1,5	8V00S12 00	15-32/S12	27	6	0,016
	14	M22x1,5	8V00S15 00	15-32/S15	30	7	0,023
	16	M24x1,5	8V00S16 00	15-32/S16	32	7	0,025
	20	M30x2	8V00S22 00	15-32/S22	41	8	0,049
	25	M36x2	8V00S28 00	15-32/S28	46	9	0,062
	30	M42x2	8V00S30 00	15-32/S30	50	9	0,060
	38	M52x2	8V00S42 00	15-32/S42	65	10	0,112

Reinforcing rings for tubes



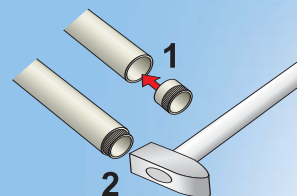
o.d. x thickness		Bell code	G1	G2	L	
6x1	8027 06 04	MS15-007/6X1	2,6	3,8	15,5	0,008
8x1	8027 08 06	MS15-007/8X1	4,6	5,8	15,5	0,013
10x1,5	8027 10 07	MS15-007/10X1,5	5,6	6,8	17	0,017
10x1	8027 10 08	MS15-007/10X1	6,6	7,8	16,5	0,019
12x1,5	8027 12 09	MS15-007/12X1,5	7,6	8,8	16,5	0,022
12x1	8027 12 10	MS15-007/12X1	8,6	9,8	16,5	0,023
15x1,5	8027 15 12	MS15-007/15X1,5	10,2	11,8	17	0,039
15x1	8027 15 13	MS15-007/15X1	11,2	12,8	17	0,041
18x1,5	8027 18 15	MS15-007/18X1,5	13,2	14,8	17,5	0,052
18x1	8027 18 16	MS15-007/18X1	14,2	15,8	17,5	0,058
20x1	8027 20 18	MS15-007/20X1	16,2	17,8	22	0,080
22x1,5	8027 22 19	MS15-007/22X1,5	17,2	18,8	18	0,069
28x2	8027 28 24	MS15-007/28X2	22,2	23,8	18	0,088
28x1,5	8027 28 25	MS15-007/28X1,5	23,2	24,8	18	0,092

124

Thin wall tube, generally used for low pressure, should be assembled using reinforcing rings in order to ensure reliable connection. Normally, this is also the case for nonferrous metal tubes, such as copper, brass and aluminium.

Assembly


Insert a reinforcing ring into the tube up to the knurled collar. Drive the reinforcing ring completely in by means of a hammer (plastic or hard rubber). The knurled collar is then pressed into the inner wall of the tube and secures the reinforcing ring, preventing displacement or loss.



O-rings for

for adjustable banjos
and weld nipples



ØD		Bell code	D1	D2
6	8W00 06 15	14-004/6X1,5	6	1,5
7	8W00 07 15	14-004/7,5X1,5	7,5	1,5
9	8W00 09 15	14-004/9X1,5	9	1,5
10	8W00 10 20	14-004/10X2	10	2
12	8W00 12 20	14-004/12X2	12	2
16	8W00 16 24	14-004/16,3X2,4	16,3	2,4
20	8W00 20 24	14-004/20,3X2,4	20,3	2,4
25	8W00 25 24	14-004/25,3X2,4	25,3	2,4
33	8W00 33 24	14-004/33,3X2,4	33,3	2,4
37	8W00 37 10	14-004/37X1	37	1
38	8W00 38 25	14-004/38X2,5	38	2,5
42	8W00 42 25	14-004/42X2,5	42	2,5
44	8W00 44 25	14-004/44X2,5	44	2,5
46	8W00 46 30	14-004/46X3	46	3

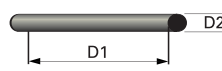
FPM available upon request

Storage conditions

Couplings with elastomer seals must be stocked in keeping with the DIN 7716 standard. Components must be stored in a cool place –maxi temperature of 25°C-, dry and free of dust. They must also be protected from direct exposure to sunlight, intense artificial electric light and ozone.

O-rings

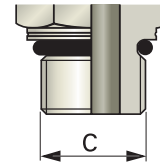
for threaded fittings



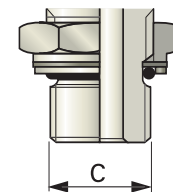
for metric thread ISO 6149-2 and ISO 261

C		Bell code	D1	D2
M8x1	8W00 06 16	14-004/6,1X1,6	6,10	1,60
M10x1	8W00 08 16	14-004/8,1X1,6	8,10	1,60
M12x1,5	8W00 09 22	14-004/9,3X2,2	9,30	2,20
M14x1,5	8W00 11 22	14-004/11,3X2,2	11,30	2,20
M16x1,5	8W00 13 22	14-004/13,3X2,2	13,30	2,20
M18x1,5	8W00 15 22	14-004/15,3X2,2	15,30	2,20
M20x1,5	8W00 17 22	14-004/17,3X2,2	17,30	2,20
M22x1,5	8W00 19 22	14-004/19,3X2,2	19,30	2,20
M26x1,5	8W00 23 28	14-004/22,7X2,8	22,70	2,80
M27x2	8W00 24 29	14-004/23,6X2,9	23,60	2,90
M33x2	8W00 30 29	14-004/29,6X2,9	29,60	2,90
M42x2	8W00 39 29	14-004/38,6X2,9	38,60	2,90
M48x2	8W00 45 29	114-004/44,6X2,9	44,60	2,90

ISO 6149 - 2 and 3



ISO 261

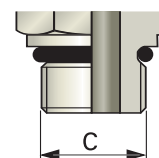


126

for UN/UNF thread ISO 11926-1

C		Bell code	D1	D2
7/16"-20 UNF	8W00 09 18	14-004/8,92X1,83	8,92	1,83
1/2"-20 UNF	8W00 10 18	14-004/10,52X1,83	10,52	1,83
9/16"-18 UNF	8W00 12 19	14-004/11,89X1,98	11,89	1,98
3/4"-16 UNF	8W00 16 22	14-004/16,36X2,2	16,36	2,20
7/8"-14 UNF	8W00 19 25	14-004/19,18X2,46	19,18	2,46
1 1/16"-12 UN	8W00 23 26	14-004/23,47X2,62	23,47	2,62
1 5/16"-12 UN	8W00 30 30	14-004/29,74X2,95	29,74	2,95
1 5/8"-12 UN	8W00 37 30	14-004/37,47X3	37,47	3,00
1 7/8"-12 UN	8W00 44 30	14-004/43,69X3	43,69	3,00

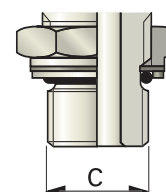
ISO 11926 - 1



for BSP thread ISO 1179-3

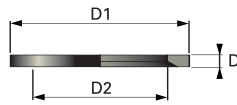
C		Bell code	D1	D2
G 1/8 A	8W00 08 16	14-004/8,1X1,6	8,10	1,60
G 1/4 A	8W00 11 22	14-004/11,3X2,2	11,32	2,20
G 3/8 A	8W00 14 26	14-004/13,94X2,62	13,94	2,62
G 1/2 A	8W00 18 26	14-004/17,86X2,62	17,86	2,62
G 3/4 A	8W00 23 26	14-004/23,47X2,62	23,47	2,62
G 1 A	8W00 30 35	14-004/29,74X3,53	29,74	3,53
G 1 1/4 A	8W00 38 35	14-004/37,7X3,53	37,70	3,53
G1 1/2 A	8W00 44 35	14-004/44,04X3,53	44,04	3,53

ISO 1179-3



Captive seals

for BSP and metric threads



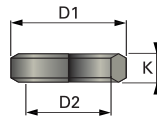
for thread		Bell code	D	D1	D2
M8x1	8W01 56 00	15-004/6,5X9,9	1	9,9	6,5
M10x1 G ^{1/8}	8W01 60 00	15-004/8,4X11,9	1	11,9	8,4
M12x1,5	8W01 67 00	15-004/9,8X14,4	1,5	14,4	9,8
M14x1,5 G ^{1/4}	8W01 71 00	15-004/11,6X16,5	1,5	16,5	11,6
M16x1,5	8W01 75 00	15-004/13,8X18,9	1,5	18,9	13,8
G ^{3/8}	8W01 17 00	15-004/14,7X18,9	1,5	18,9	14,7
M18x1,5	8W01 78 00	15-004/15,7X20,9	1,5	20,9	15,7
M20x1,5	8W01 80 00	15-004/17,8X22,9	1,5	22,9	17,8
G ^{1/2}	8W01 21 00	15-004/18,5X23,9	1,5	23,9	18,5
M22x1,5	8W01 82 00	15-004/19,6X24,3	1,5	24,3	19,6
M26x1,5 G ^{3/4}	8W01 89 00	15-004/23,9X29,2	1,5	29,2	23,9
M27x2	8W01 89 00	15-004/23,9X29,2	1,5	29,2	23,9
M33x2 G1A	8W01 91 00	15-004/29,7X35,7	2	35,7	29,7
M42x2 G1 ^{1/4}	8W01 96 00	15-004/38,8X45,8	2	45,8	38,8
M48x2 G1 ^{1/2}	8W01 98 00	15-004/44,7X50,7	2	50,7	44,7


FPM available upon request

Storage conditions

Couplings with elastomer seals must be stocked in keeping with the DIN 7716 standard. Components must be stored in a cool place –maxi temperature of 25°C-, dry and free of dust. They must also be protected from direct exposure to sunlight, intense artificial electric light and ozone..

Metal seal rings for banjo couplings

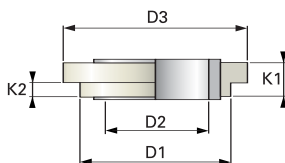


for thread		Bell code	D1	D2	K
M10x1 G ¹ / ₈	8W02 60 00	15/1-093/M10X1	14	10	4
M12x1,5	8W02 67 00	15/1-093/M12X1,5	17	12	5
M14x1,5	8W02 71 00	15/1-093/M14X1,5	19	14	5
M16x1,5	8W02 75 00	15/1-093/M16X1,5	21	16	5
M18x1,5	8W02 78 00	15/1-093/M18X1,5	23	18	5
M20x1,5	8W02 80 00	15/1-093/M20X1,5	25	20	5
M22x1,5	8W02 82 00	15/1-093/M22X1,5	27	22	5
M26x1,5	8W02 89 00	15/1-093/M26X1,5	31	26	5
M27x2	8W02 86 00	15/1-093/M27X2	32	27	5,5
M33x2	8W02 91 00	15/1-093/M33X2	39	33	7
M42x2 G1 ¹ / ₄	8W02 96 00	15/1-093/M42X2	49	42	
M48x2 G1 ¹ / ₂	8W02 98 00	15/1-093/M48X2	55	48	7
	8W02 13 00	15/1-093/R1/4"	18	13,2	5
	8W02 17 00	15/1-093/R3/8"	22	16,8	5
	8W02 21 00	15/1-093/R1/2"	26	21	5,5
	8W02 21 01	15/1-093/R1/2"SO1	26,5	21	5,5
	8W02 27 00	15/1-093/R3/4"	32	26,5	5,5
	8W02 34 00	15/1-093/R1"	39	33,3	7

Composite seals

for adjustable banjos

for BSP and metric thread



for thread		Bell code	D1	D2	D3	K1	K2	
M10x1	G1/8	8W03 60 00	15/3-074/M10x1	14,9	10	18	4	1,5
M12x1,5		8W03 67 00	15/3-074/M12x1,5	17,9	12	22	5	2
M14x1,5		8W03 71 00	15/3-074/M14x1,5	19,9	14	23	5	2
M16x1,5		8W03 75 00	15/3-074/M16x1,5	21,9	16	27	5	2
M18x1,5		8W03 78 00	15/3-074/M18x1,5	23,9	18	28	5	2,5
M20x1,5		8W03 80 00	15/3-074/M20x1,5	25,9	20	31	5	2,5
M22x1,5		8W03 82 00	15/3-074/M22x1,5	27,9	22	33	5	3
M26x1,5		8W03 89 00	15/3-074/M26x1,5	31,9	26	39	5	3
M27x2		8W03 86 00	15/3-074/M27x2	32,9	27	41	5,5	3
M33x2	G1	8W03 91 00	15/3-074/M33x2	39,9	33,3	46	7	3
M42x2	G1"1/4	8W03 96 00	15/3-074/M42x2	49,9	42	57	7	3
M48x2	G1"1/2	8W03 98 00	15/3-074/M48x2	55,9	48	64	7	3
	G1/4	8W03 13 00	15/3-074/R1/4"	18,9	13,2	22	5	2
	G3/8	8W03 17 00	15/3-074/R3/8"	22,9	16,7	27	5	2,5
	G1/2	8W03 21 00	15/3-074/R1/2"	26,9	21	33	5,5	3
	G3/4	8W03 27 00	15/3-074/R3/4"	32,9	26,5	41	5,5	3

Material : Steel/PTFE