

Overview

Description	Page		
	Characteristics	Dimensions	Order instructions Type overview
Air preparation unit three-piece	44, 45, 48	52	60
Air preparation unit two-piece	44, 45, 48	52	60
Filter-regulator	44, 45, 48	53	60
Filter-water-separator	44, 45, 49	53	61
Dust filter	44, 45, 49	53	61
Pressure regulating valve	44, 45, 49	54–56	61
Pressure regulating valve, pilot operated	44, 45, 50	57	61
Oil mist lubricator	46, 47, 50, 51	57	62
Start valve	46, 47, 51	57	62
Stop valve	46, 47	58	62
Submicrofilter	46, 47	58	62
Activated carbon filter	46, 47	58	62
3/2 Way shut-off valve	46, 47	59	62
Accessories	63–67	63–67	63–67

Air preparation units

*Series airfit comfort
G3/8, G1/2*



Air preparation units

Series *airfit comfort*
G3/8, G1/2

Characteristics

Special solutions
(e.g. temperature, pressure,
medium ...) on request,
or see page 155–166 for
special units



		Pressures quoted as gauge pressure			
Characteristics	Symbol	Unit	Air preparation unit three-piece	Air preparation unit two-piece	
System			Consisting of filter-water-separator, pressure regulating valve, oil mist lubricator *), gauge, mounting bracket	Consisting of filter-regulator and oil mist lubricator *), gauge, mounting bracket	
Type			CFRL-3/8	CFRL-1/2	CKL-3/8 CKL-1/2
Material					
– Housing			Diecast zinc		
– Plastic bowl			Polycarbonate	Polycarbonate	
– Metal bowl			Diecast aluminum with polypropylene insert		
– Diaphragm			NBR	NBR	
– Standard sealings			NBR		
Port size (NPTF version)			G3/8	G1/2	G3/8 G1/2
Max. condensate capacity		cm ³	57	57	57 57
Pore size of filter element		µm	30 or 5		30 or 5
Condensate drainage			Manual, semi-automatic (pressure relief), or automatic (float type)		
Oil/air ratio			Constant oil drip rate independent of air flow		
Max. oil capacity		cm ³	112		112
Oil refilling			Manual - also during operation		
Installation			Vertical, bowl at the bottom		Vertical, bowl at the bottom
Medium and ambient temperatures	T_{min} T_{max}	°C °C	0 +50 at 10 bar (further temperatures on request)		0 +50 at 10 bar (further temperatures on request)
Weight (mass)		kg	1.85		1.5
Pneumatic characteristics					
Operating pressure range – inlet pressure	$p_{1 min}$ $p_{1 max}$	bar bar	0 16		0 16
Operating pressure range – outlet pressure	$p_{2 min/max}$	bar	0.5 to 8 On request 0.5 to 4 ³⁾ On request 0.5 to 15 ³⁾		0.5 to 8 On request 0.5 to 4 ³⁾ On request 0.5 to 15 ³⁾
Min. pressure difference	$p_1 - p_2$		0.2		0.2
Hysteresis $p_1 = 10/p_2 = 0$ $p_1 = 10/p_2 = 8$			0.9 0.7		0.9 0.7
Maximum flow ¹⁾	Q_{max}	l/min m ³ /h	1900 114	2000 120	1900 114 1950 117
Degree of moisture separation at recommended flow ²⁾	η	%	95		95

¹⁾ at $p_1 = 10$ bar and $p_2 = 6.3$ bar, $\Delta p = 1$ bar

²⁾ at 6 bar and 25 m/s flow velocity

³⁾ By the use of special springs, the outlet pressure can be precisely regulated in the specified p_2 range

⁴⁾ Recommended pilot pressure regulating valve SR-1/4 (see page 23)

Filter-regulator		Filter-water-separator		Dust filter		Pressure regulating valve		Pressure regulating valve pilot operated	
Cyclone system with filter element, combined with diaphragm-type pressure regulating valve (spring loaded) with secondary pressure relief, inlet pressure and volume compensation, locating ring, handwheel lockable		With cyclone system and filter element		With cyclone system and dust filter element		Diaphragm-type pressure regulating valve (spring loaded) with secondary pressure relief, inlet pressure and volume compensation, handwheel lockable		Pilot operated piston-type pressure regulator with secondary pressure relief and flow compensation ⁴⁾	
CK-3/8	CK-1/2	CF-3/8	CF-1/2	CFD-3/8	CFD-1/2	CR-3/8	CR-1/2 (-T)	CRV-3/8	CRV-1/2
Diecast zinc				Polycarbonate		-		-	
Polycarbonate		Polycarbonate		Polycarbonate		-		-	
Diecast aluminum with polypropylene insert						-		-	
NBR		-		-		NBR		NBR	
NBR									
G3/8	G1/2	G3/8	G1/2	G3/8	G1/2	G3/8	G1/2	G3/8	G1/2
57	57	57	57	57	57	-		-	
30 or 5		30 or 5		1		-		-	
Manual, semi-automatic (pressure relief), or automatic (float type)				Manual, semi-automatic (pressure relief)		-		-	
-		-		-		-		-	
-		-		-		-		-	
Vertical, bowl at the bottom		Vertical, bowl at the bottom		Vertical, bowl at the bottom		In any position		In any position	
0 +50 at 10 bar (further temperatures on request)		0 +50 at 10 bar (further temperatures on request)		0 +50 at 10 bar (further temperatures on request)		0 +60 at 10 bar (further temperatures on request)		0 +60 at 10 bar (further temperatures on request)	
0.75		0.55		0.55		0.55		0.50	
0 16		0 16		0 16		0 16		0 16	
0.5 to 8 On request 0.5 to 4 ³⁾ On request 0.5 to 15 ³⁾		-		-		0.5 to 8 On request 0.5 to 4 ³⁾ On request 0.5 to 15 ³⁾		0.5 to 8	
0.2						0.2		0.2	
0.9 0.7						0.9 0.7		0.3 0.3	
3000 180	3300 198	4500 270	5000 300	4130 248	4820 289	4200 252	5700 342	5300 318	7200 432
95	95	95	95	Only solid particles > 99% related to 1 µm					

*) Viscosities of ≤ 32 Cst in line with ISO 3448 (32 mm²/s at 40°C) are recommended to ensure optimum atomization and long oil mist paths.
HOERBIGER-Origa compressed air oil KY8766 (see page 191)

For more characteristics of air preparation units see page 46–47

Air preparation units

Series airfit comfort
G3/8, G1/2

Characteristics

Special solutions
(e.g. temperature, pressure,
medium ...) on request,
or see page 155–166
for special units



Pressures quoted as gauge pressure						
Characteristics	Symbol	Unit	Oil mist lubricator		Start valve	
System			Oil mist lubricator with flow compensation *)		Poppet valve with integral throttle for slow pressure build-up (e.g. after emergency shutdown). At 0.5 x operating pressure the valve switches to full flow.	
Type			CL-3/8	CL-1/2	CDA-3/8	CDA-1/2
Material						
– Housing			Diecast zinc			
– Plastic bowl			Polycarbonate		–	
– Metal bowl			Diecast aluminum with polypropylene		–	
– Diaphragm			–			
– Standard sealings			NBR			
Port size (NPTF version)			G3/8	G1/2	G3/8	G1/2
Max. condensate capacity		cm ³	–		–	
Pore size of filter element			–			
Condensate drainage			Constant oil drip rate independent of air flow		–	
Oil/air ratio		cm ³	112		–	
Max. oil capacity			Manual – also during operation		–	
Oil refilling			Vertical, bowl at the bottom		In any position – direct assembly to air preparation units series airfit comfort	
Installation	T _{min} T _{max}	°C °C	0 +50 at 10 bar (further temperatures on request)		0 +60 (further temperatures on request)	
Weight (mass)		kg	0.55		0.60	
Pneumatic characteristics						
Operating pressure range – inlet pressure	p _{1 min} p _{1 max}	bar bar	0 16		2 16	
Maximum flow ¹⁾	Q _{max}	l/min m ³ /h	5000 300	5300 318	3500 210	3700 222
Recommended	Q _n	l/min m ³ /h	33–833 2–50	33–2000 2–120	–	
Degree of filtration at recommended flow ²⁾	η	%	–			
Residual oil amount		mg/m ³	–		–	

¹⁾ at p₁ = 10 bar, Δp = 1 bar

²⁾ at 6 bar and 25 m/s flow velocity

*) Viscosities of ≤ 32 Cst in line with ISO 3448 (32 mm²/s at 40°C) are recommended to ensure optimum atomization and long oil mist paths.
HOERBIGER Origa compressed air oil KY8766 (see page 191)

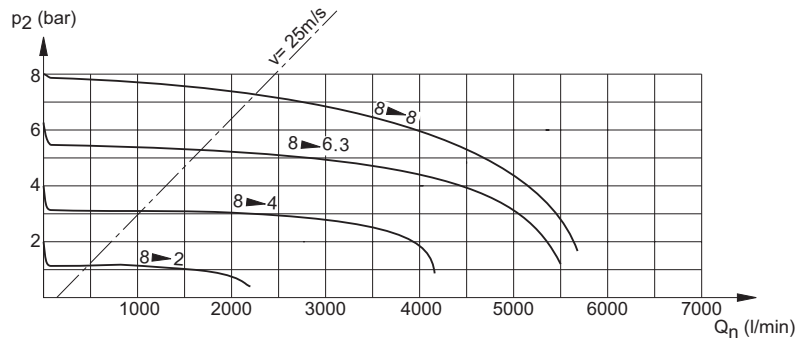
Stop valve		Submicrofilter		Activated carbon filter		3/2 Way shut-off valve	
3/2 Way poppet valve with pneumatic (P) or electrical (E) actuation and integrated exhaust silencer						3/2 Way valve (spool type), direct assembly to any unit from the airfit comfort series, with coupling kit PL17608	
CDR-3/8P (E)	CDR-1/2P (E)	MF036-3/8	MF036-1/2	MC036-3/8	MC036-1/2	CDV-3/8-XS	CDV-1/2-XS
Diecast zinc							
-		Polycarbonate		Polycarbonate		-	
-		Diecast aluminum with polypropylene insert		Diecast aluminum with polypropylene insert		-	
-		-		-		-	
NBR							
G3/8	G1/2	G3/8	G1/2	G3/8	G1/2	G3/8	G1/2
-		48	48	-	-	-	
-		Manual, semi-automatic or automatic (pressure relief), or automatic (float type)		Manual, semi-automatic, or automatic (pressure relief)		-	
-		-		-		-	
-		-		-		-	
-		-		-		-	
See installation instructions		Vertical, bowl at the bottom		Vertical, bowl at the bottom		In any position	
0 +60 (further temperatures on request)		0 +50 at 10 bar		0 +40 at 10 bar		0 +60 at 10 bar (further temperatures on request)	
0.7 (P) 0.8 (E)		0.60		0.60		0.40	
2 16		0 16		0 16		0 16	
2500 150	2900 174	1070 at 6 bar 65		1070 at 6 bar 65		7500 450	7500 450
-		-		-		-	
-		Over 99.99999% related to 0.01µm		-		-	
-		< 0.01 input conc. 3 mg/m ³		0.003 ‰ in combination MF		-	

Air preparation units

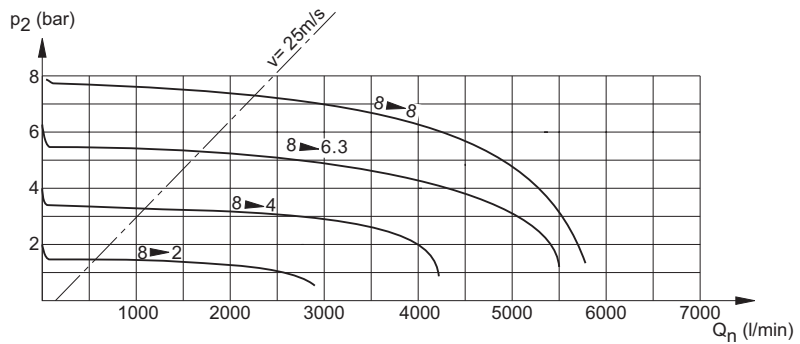
Series airfit comfort
G3/8, G1/2

Flow characteristics

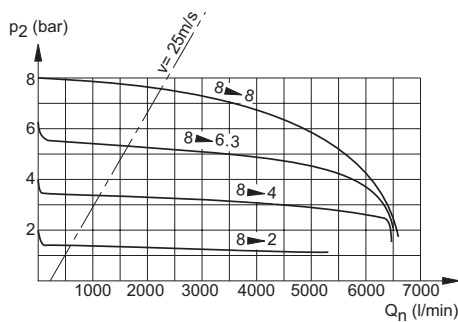
Air preparation unit three-piece
Type: CFRL-1/2



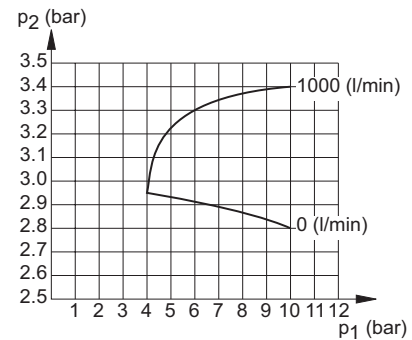
Air preparation unit two-piece
Type: CKL-1/2



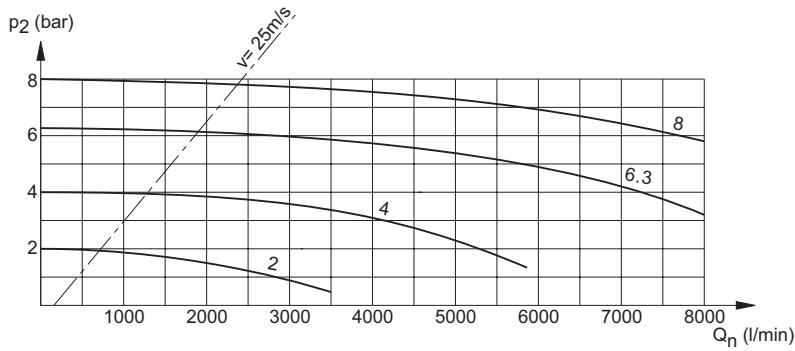
Filter-regulator
Type: CK-1/2



Outlet pressure variation with fluctuation inlet pressure Type: CK-1/2



Filter-water-separator
Type: CF-1/2

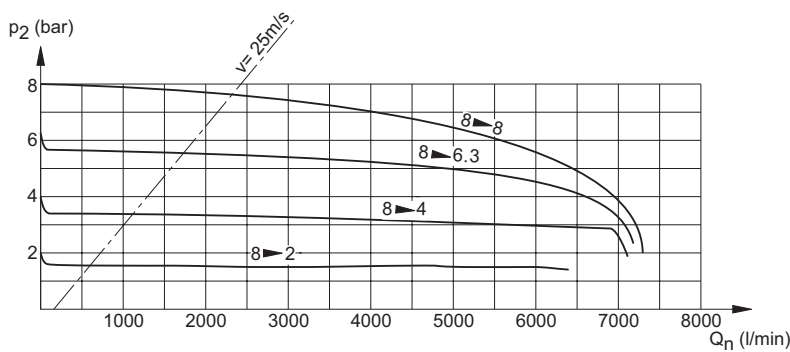


Air preparation units

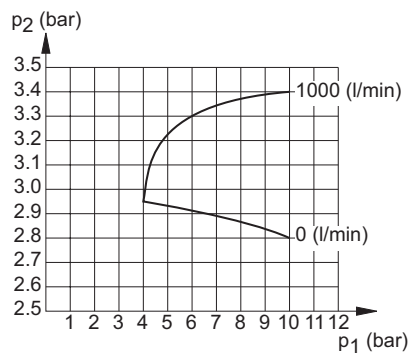
Series airfit comfort
G3/8, G1/2

Flow characteristics

Pressure regulating valve
Type: CR-1/2, CR-1/2-T



Outlet pressure variation with fluctuation inlet pressure
Type: CR-1/2, CR-1/2-T

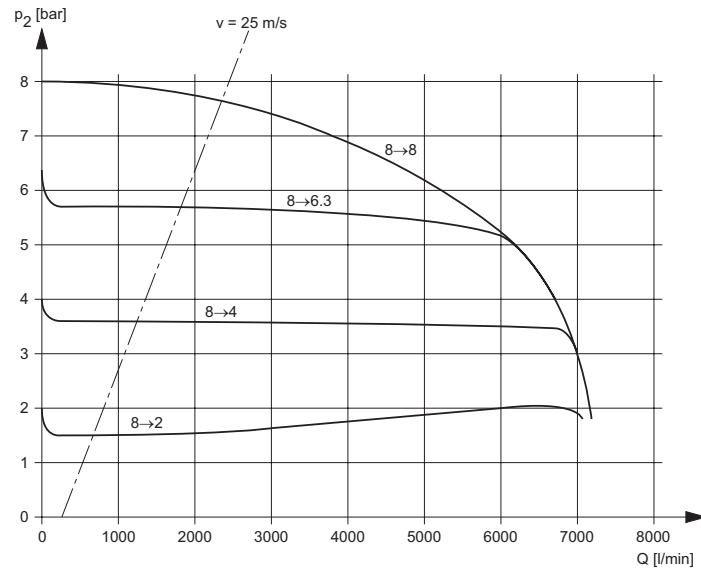


Air preparation units

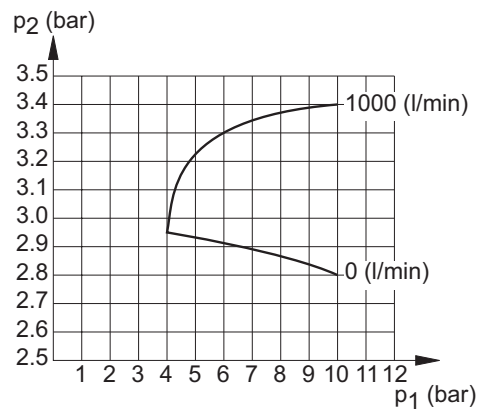
Pressure regulating valve, pilot operated
Type: CRV-1/2

Series airfit comfort
G3/8, G1/2

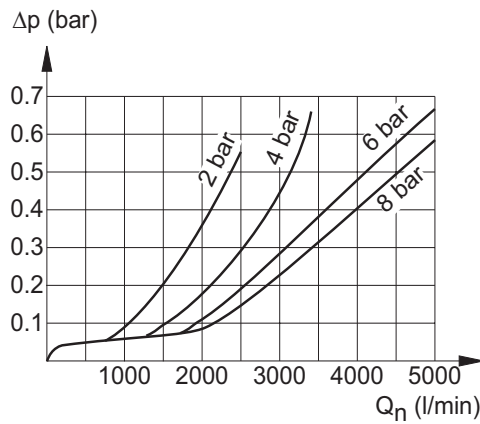
Flow characteristics



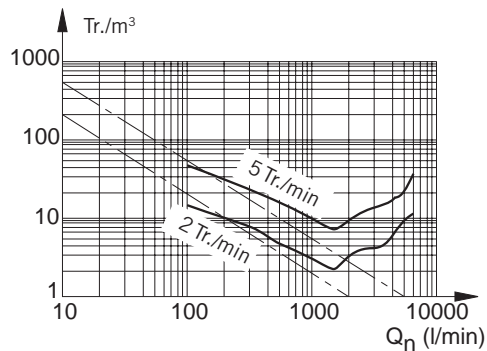
Outlet pressure variation with fluctuation inlet pressure
Type: CRV-1/2



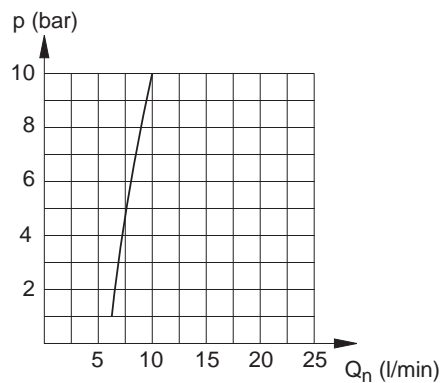
**Oil mist lubricator
Type: SL-1/2**



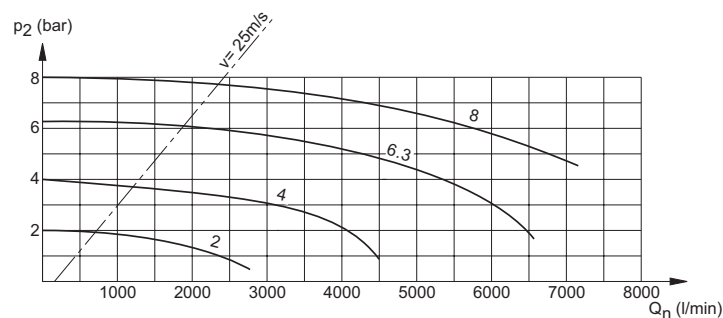
**Oil/air ratio
Type: SL-1/2**



**Min. operating conditions
Type: SL-08**



**Start valve
Type: CDA-1/2**



Flow time in start phase with adjustment screw fully open and 6.3 bar: 1.5 s/l

**Air preparation
units**

*Series airfit comfort
G3/8, G1/2*

Flow characteristics



Air preparation units

Series airfit comfort
G3/8, G1/2

Dimensions

Features:

- Easy and quick installation of mounting kit
- Suitable for direct wall mounting
- Modern design

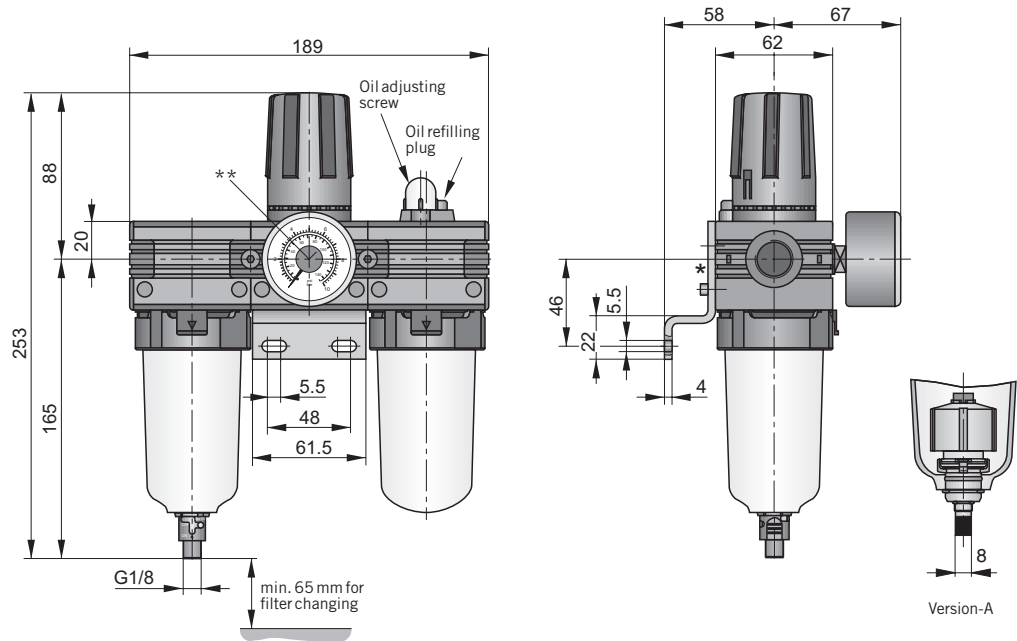
Delivery includes:

- Air preparation unit three-piece:
- Filter-water-separator
- Pressure regulating valve
- Oil mist lubricator
- Gauge
- Mounting bracket

- Air preparation unit two-piece:
- Filter-regulator
- Oil mist lubricator
- Gauge
- Mounting bracket

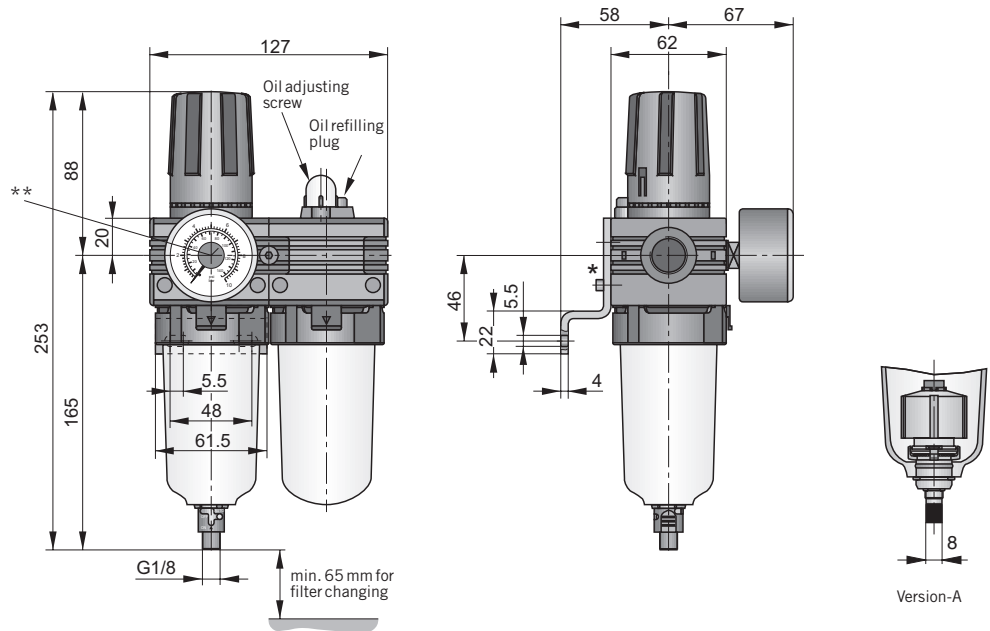


Air preparation unit three-piece – Type: CFRL-3/8, -1/2



- * On delivery the plug screw is not assembled.
- ** Two opposite gauge ports G1/4

Air preparation unit two-piece – Type: CKL-3/8, -1/2

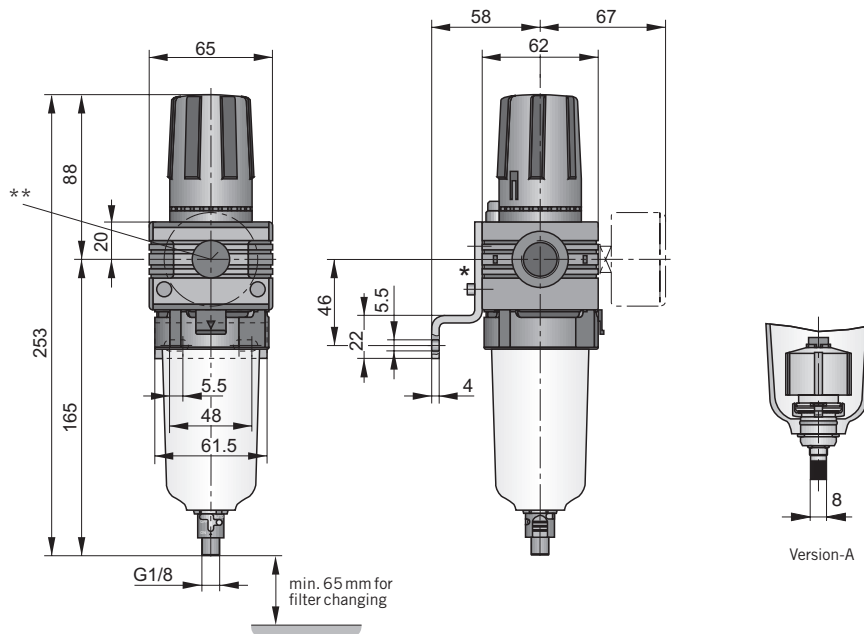


- * On delivery the plug screw is not assembled.
- ** Two opposite gauge ports G1/4

For order instructions see page 60–63, for characteristics see page 44–51, for accessories see page 64–67

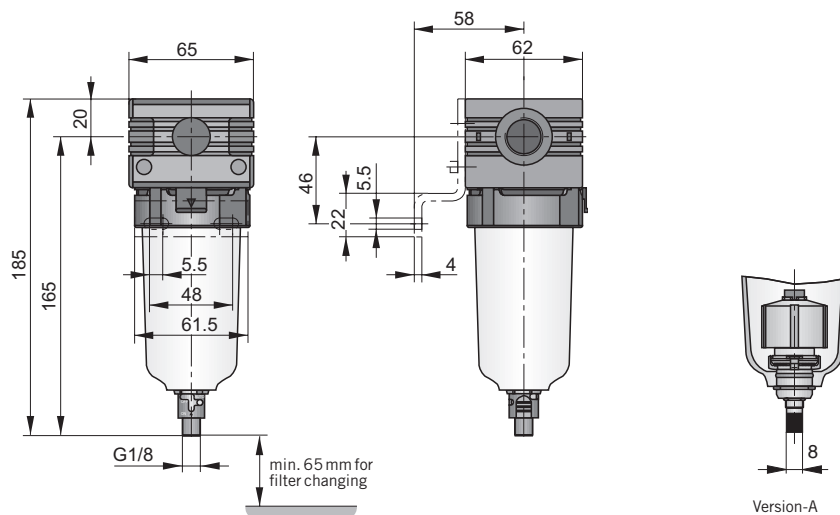
Dimensions in mm

Filter-regulator – Type: CK-3/8, -1/2



- * On delivery the plug screw is not assembled.
- ** Two opposite gauge ports G1/4

Filter-water-separator – Type: CF-3/8, -1/2 Dust filter – Type: CFD-3/8, -1/2 *)



Air preparation units

Series airfit comfort
G3/8, G1/2

Dimensions

- * Dust filter with large filter surface for long service life. For compressed air systems with air dryers.



For order instructions see page 60–63, for characteristics see page 44–51, for accessories see page 64–67

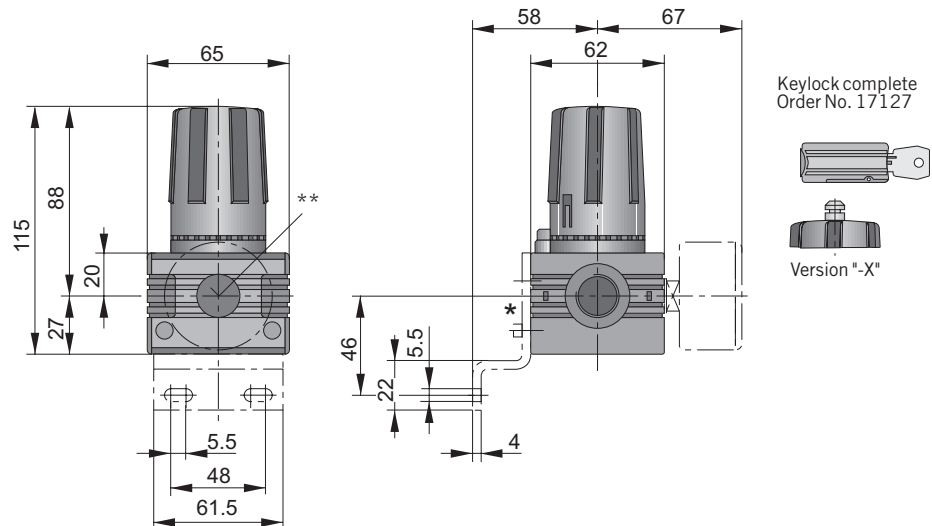
Dimensions in mm

Air preparation units

Series airfit comfort
G3/8, G1/2

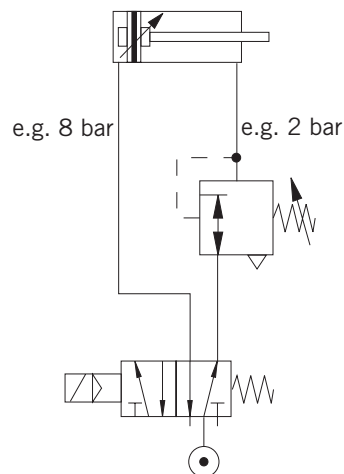
Dimensions

Pressure regulating valve – Type: CR-3/8, -1/2
Special pressure regulating valve for high relief capacity – CR-1/2SO



- * On delivery the plug screw is not assembled.
- ** Two opposite gauge ports G1/4

Installation instructions for special pressure regulating valve, for high relief capacity Type: CR-1/2SO, PB 55649-023



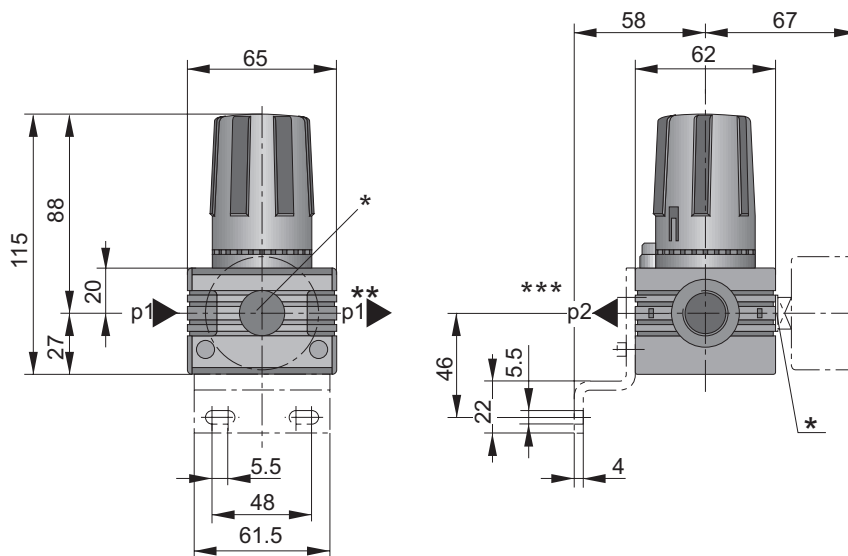
Example:
To regulate the pressure in the direction of the stroke, install the regulator as shown in the diagram. The pressure relief uses the full cross-section of the valve, allowing the cylinder to travel at full speed.



For order instructions see page 60–63, for characteristics see page 44–51,
for accessories see page 64–67

Dimensions in mm

Pressure regulating valve, with through p_1 supply port – Type: CR-3/8-T, -1/2-T



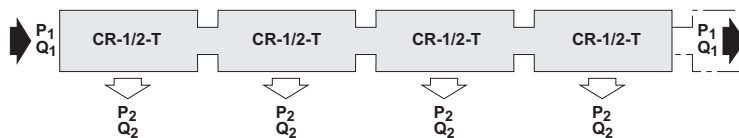
- * Gauge ports G1/4
- ** With through p_1 supply port G1/2
- *** p_2 port G3/8, G1/2

Air preparation units

Series airfit comfort
G3/8, G1/2

Dimensions

Installation instructions for battery mounting



For order instructions see page 60–63, for characteristics see page 44–51, for accessories see page 64–67

Dimensions in mm



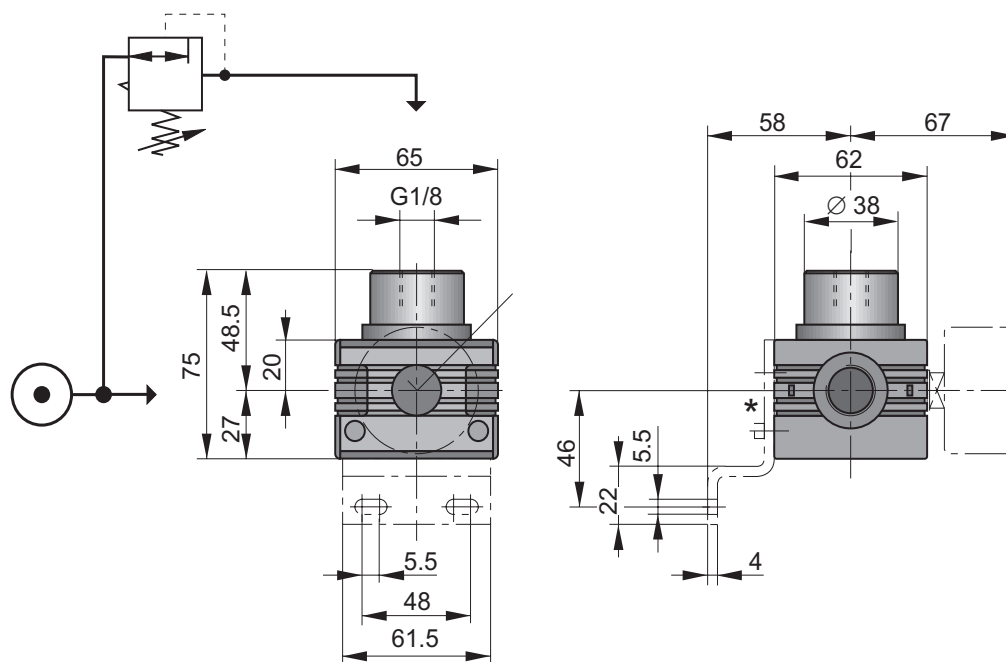
Air preparation units

Pressure regulating valve, pilot operated – Type: CRV-3/8, -1/2

– Recommended pilot pressure regulating valve, series airfit swing, Type: SR-1/4, PB45449-000

Series airfit comfort
G3/8, G1/2

Dimensions



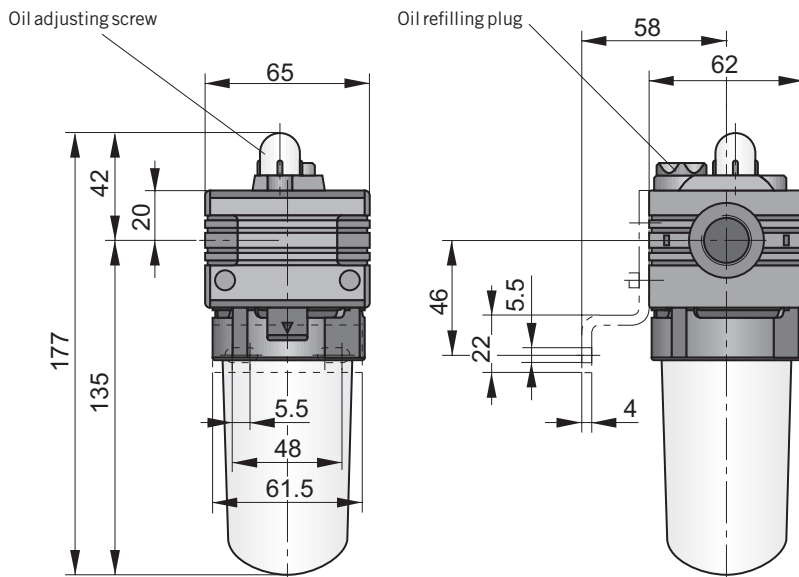
* On delivery the plug screw is not assembled.

** Two opposite gauge ports G1/4

For order instructions see page 60–63, for characteristics see page 44–51,
for accessories see page 64–67

Dimensions in mm

Oil mist lubricator – Type: CL -3/8, -1/2

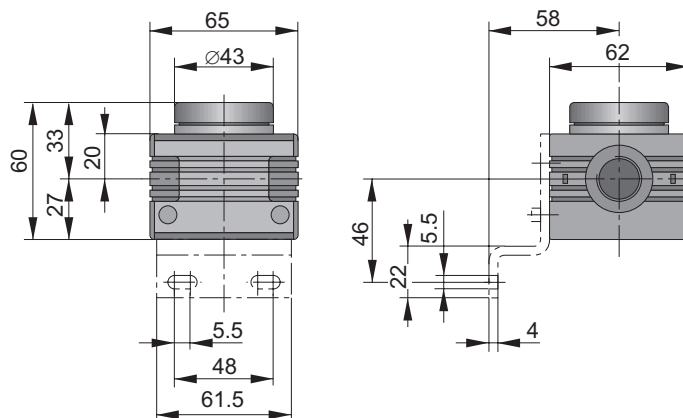


Air preparation units

*Series airfit comfort
G3/8, G1/2*

Dimensions

Start valve – Type: CDA-3/8, -1/2



Features:

Valve to slow pressure build-up in pneumatic circuits. It prevents uncontrolled movements of the pneumatic components under the impact of full operating pressure.

Note:

During the start-phase no components in the system should consume any air (build-up only).

For order instructions see page 60–63, for characteristics see page 44–51, for accessories see page 64–67

Dimensions in mm



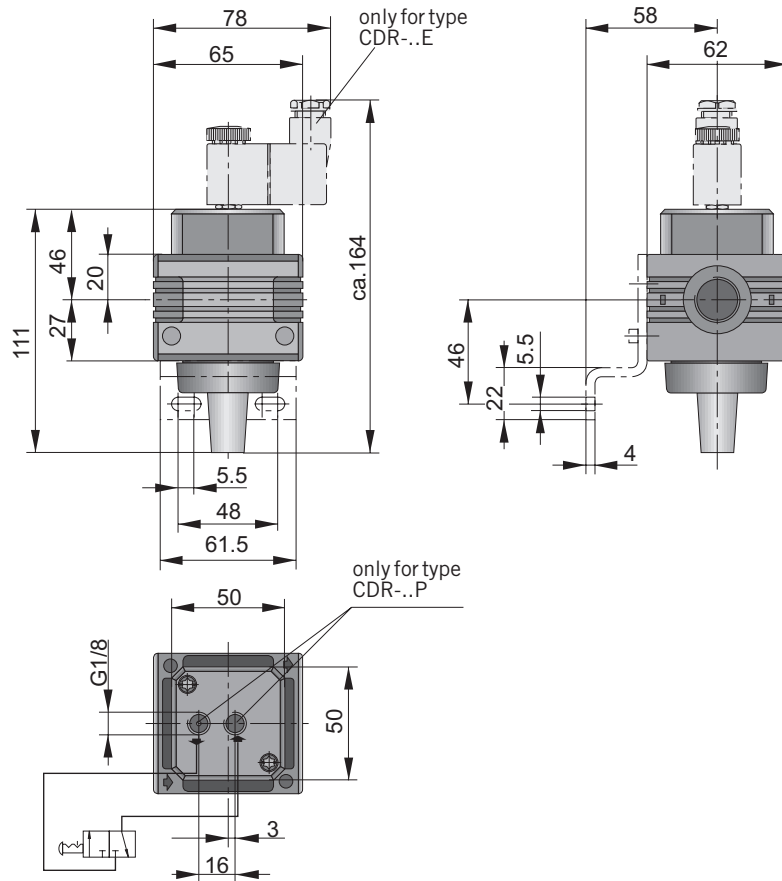
Air preparation units

Series airfit comfort
G3/8, G1/2

Dimensions

Features:
The stop valve is used in conjunction with the soft start valve for exhausting pneumatic circuits.

Stop valve
Type: CDR-3/8P, -1/2P (pneumatically actuated)
Type: CDR-3/8E, -1/2E (electrically actuated)

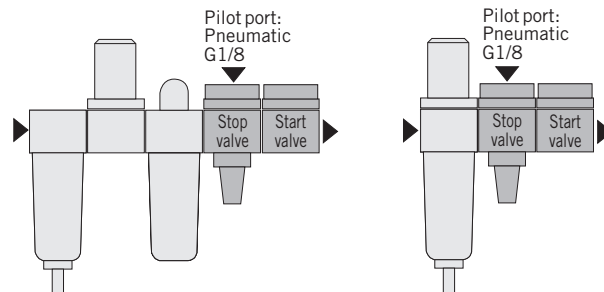


Venting time (s) in relation to volume

Pressure reduction from to	Venting time (s) *
8 → 0.1 bar	$0.75 \times V (l) = t (s)$
6 → 0.1 bar	$0.65 \times V (l) = t (s)$
4 → 0.1 bar	$0.50 \times V (l) = t (s)$

* Note:
The calculation only applies to short connections, NW 15 mm directly downstream of the CDR stop valve

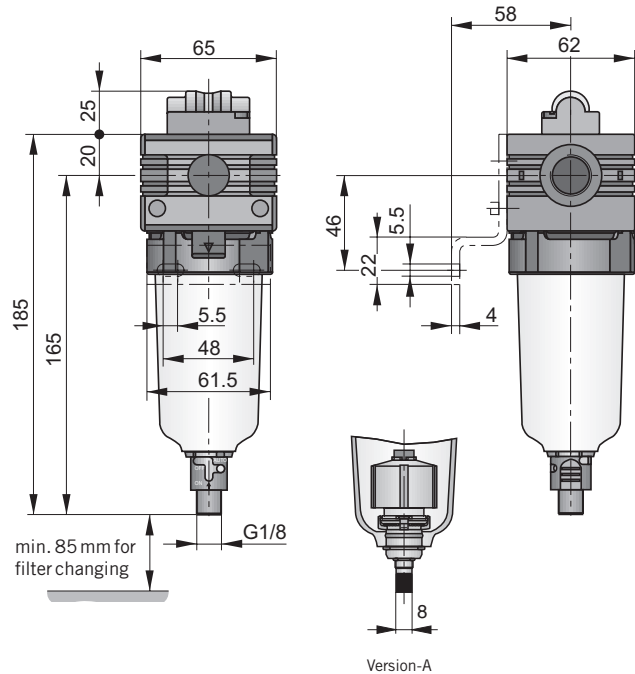
Installation instructions



For order instructions see page 60–63, for characteristics see page 44–51, for accessories see page 64–67

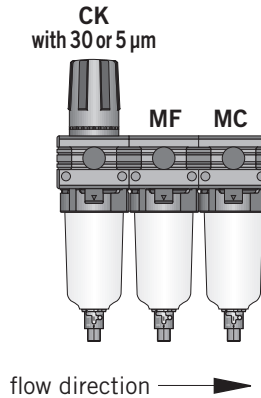
Dimensions in mm

Submicrofilter – Type: MF036-3/8, -1/2
 Activated carbon filter – Type: MC036-3/8, -1/2



Installation instructions

To increase the life span of the filter elements, we recommend the following order.



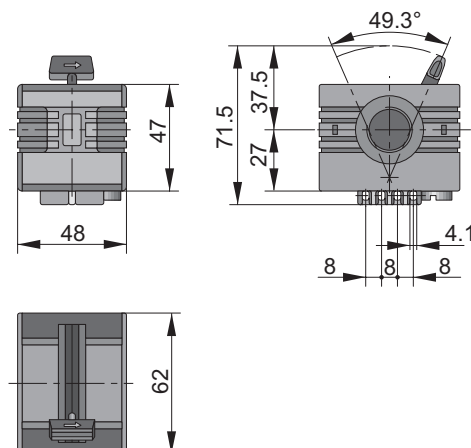
Air preparation units

Series airfit comfort
 G3/8, G1/2

Dimensions

Note:
 Activated carbon filter MC036-.. version without service life indicator

3/2 Way shut-off valve – Type: CDV-3/8-XS, -1/2-XS



Features:

- Spool type valve
- 4-fold lockable
- Color coded optical position indicator
- Controlled exhaust
- Arrow symbol indicates flow direction

For order instructions see page 60–63, for characteristics see page 44–51, for accessories see page 64–67

Dimensions in mm






Air preparation units

Series airfit comfort
G3/8, G1/2

Order instructions

Standard versions

Description	Symbol	Port size	Order instruction	
			Type	Order No.
Air preparation unit three-piece				
– Basic version with combined manual and semi-automatic drainage		G3/8	CFRL-3/8	PB 58249-000
		G1/2	CFRL-1/2	PB 58349-000
– with automatic drainage		G3/8	CFRL-3/8-A	PB 58249-002
		G1/2	CFRL-1/2-A	PB 58349-002
– with metal bowl (sight glass) with combined manual and semi-automatic drainage		G3/8	CFRL-3/8-E	PB 58249-004
		G1/2	CFRL-1/2-E	PB 58349-004
– with metal bowl (sight glass) and automatic drainage	G3/8	CFRL-3/8-AE	PB 58249-006	
	G1/2	CFRL-1/2-AE	PB 58349-006	
Air preparation unit two-piece				
– Basic version with combined manual and semi-automatic drainage		G3/8	CKL-3/8	PB 58549-000
		G1/2	CKL-1/2	PB 58649-000
– with automatic drainage		G3/8	CKL-3/8-A	PB 58549-002
		G1/2	CKL-1/2-A	PB 58649-002
– with metal bowl (sight glass) with combined manual and semi-automatic drainage		G3/8	CKL-3/8-E	PB 58549-004
		G1/2	CKL-1/2-E	PB 58649-004
– with metal bowl (sight glass) and automatic drainage	G3/8	CKL-3/8-AE	PB 58549-006	
	G1/2	CKL-1/2-AE	PB 58649-006	
Filter-regulator				
– Basic version (30 µm) with combined manual and semi-automatic drainage		G3/8	CK-3/8	PB 55849-000
		G1/2	CK-1/2	PB 55949-000
– with filter element 5 µm, with combined manual and semi-automatic drainage		G3/8	CK-3/8-5	PB 55849-016
		G1/2	CK-1/2-5	PB 55949-016
– with automatic drainage		G3/8	CK-3/8-A	PB 55849-002
		G1/2	CK-1/2-A	PB 55949-002
– with metal bowl (sight glass), with combined manual and semi-automatic drainage	G3/8	CK-3/8-E	PB 55849-004	
	G1/2	CK-1/2-E	PB 55949-004	
– with metal bowl (sight glass) and automatic drainage	G3/8	CK-3/8-AE	PB 55849-006	
	G1/2	CK-1/2-AE	PB 55949-006	

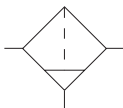


Air preparation units

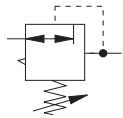
Series airfit comfort
G3/8, G1/2

Order instructions

Standard versions

Description	Symbol	Port size	Order instruction	
			Type	Order No.
Filter-water-separator				
– Basic version (30 µm) with combined manual and semi-automatic drainage		G3/8	CF-3/8	PB 55249-000
		G1/2	CF-1/2	PB 55349-000
– with filter element 5 µm with combined manual and semi-automatic drainage		G3/8	CF-3/8-5	PB 55249-016
		G1/2	CF-1/2-5	PB 55349-016
– with filter element 1 µm (dust filter) with combined manual and semi-automatic drainage		G3/8	CFD-3/8-1	PB 55249-070
		G1/2	CFD-1/2-1	PB 55349-070
– with automatic drainage		G3/8	CF-3/8-A	PB 55249-002
		G1/2	CF-1/2-A	PB 55349-002
– with metal bowl (sight glass) with combined manual and semi-automatic drainage		G3/8	CF-3/8-E	PB 55249-004
		G1/2	CF-1/2-E	PB 55349-004
– with metal bowl (sight glass) and automatic drainage	G3/8	CF-3/8-AE	PB 55249-006	
	G1/2	CF-1/2-AE	PB 55349-006	

Pressure regulating valve

– Basic version		G3/8	CR-3/8	PB 55549-000
		G1/2	CR-1/2	PB 55649-000
– with adapter for keylock		G3/8	CR-3/8-X	PB 55549-006
		G1/2	CR-1/2-X	PB 55649-006
– Special pressure regulating valve for high relief capacity		G1/2	CR-1/2SO	PB 55649-023
– Pressure regulating valve with through p ₁ supply port		p ₁ -G1/2, through p ₂ -G3/8, Output	CR-1/2-T 3/8	PB 55649-101
– Pressure regulating valve with through p ₁ supply port		p ₁ -G1/2, through p ₂ -G1/2, Output	CR-1/2-T 1/2	PB 55649-100
– Pressure regulating valve, pilot operated		G3/8	CRV-3/8	PB 55549-075
		G1/2	CRV-1/2	PB 55649-075
– Pressure regulating valve, pilot operated, actuation without own air consumption – for actuation by an electronic regulator, see page 119		G3/8	CRV-3/8-SO	PB 55549-077
	G1/2	CRV-1/2-SO	PB 55649-077	



Air preparation units

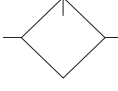
Series airfit comfort
G3/8, G1/2

Order instructions

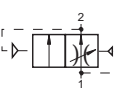
Standard versions

Description	Symbol	Port size	Order instruction	
			Type	Order No.

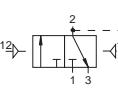
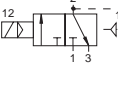
Oil mist lubricator

– Basic version		G3/8	CL-3/8	PB 56249-000
		G1/2	CL-1/2	PB 56349-000
– with metal bowl (sight glass)		G3/8	CL-3/8-E	PB 56249-004
		G1/2	CL-1/2-E	PB 56349-004

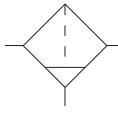
Start valve

– Start valve		G3/8	CDA-3/8	PB 57249-100
		G1/2	CDA-1/2	PB 57349-100

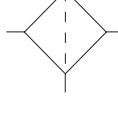
Stop valve

– pneumatically actuated		G3/8	CDR-3/8 P	PB 57249-200
		G1/2	CDR-1/2 P	PB 57349-200
– electrically actuated 24 V DC		G3/8	CDR-3/8 E	PB 57249-201
		G1/2	CDR-1/2 E	PB 57349-201
– electrically actuated 230 V/50 Hz		G3/8	CDR-3/8 E	PB 57249-204
		G1/2	CDR-1/2 E	PB 57349-204

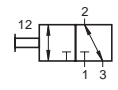
Submicrofilter

– Basic version, standard with service life indicator, with combined manual and semi-automatic drainage		G3/8	MF 036-3/8-V	PB 59249-010
		G1/2	MF 036-1/2-V	PB 59349-010
– additionally with automatic drainage		G3/8	MF 036-3/8-AV	PB 59249-012
		G1/2	MF 036-1/2-AV	PB 59349-012
– additionally with metal bowl (sight glass) and automatic drainage		G3/8	MF 036-3/8-EAV	PB 59249-016
		G1/2	MF 036-1/2-EAV	PB 59349-016

Activated carbon filter

– Basic version, with combined manual and semi-automatic drainage		G3/8	MC 036-3/8	PB 59549-000
		G1/2	MC 036-1/2	PB 59649-000
– with metal bowl (sight glass),		G3/8	MC 036-3/8-E	PB 59549-004
		G1/2	MC 036-1/2-E	PB 59649-004

3/2 Way shut-off valve

– 3/2 Way shut-off valve		G3/8	CDV-3/8-XS	PB 56849-000
		G1/2	CDV-1/2-XS	PB 56949-000



Accessories

Description	For type	Order No.
Mounting kit	Standard	PL17518
Gauge Ø 50, 0–10 bar, G1/4*	CK, CR, CR-T	KG8012
Coupling kit		PL17608
Porting block kit G1/8–G1/2 (coupling kit included)		PL17607
Porting block kit G1/8–G1/2 for pressure switch (incl. mounting material)		PL17609
Check valve, mountable with porting block kit PL17609		PL16596
Bowl guard kit		PL17680
Keylock for pressure regulating valve	CR...X	PL17127
Keylock for 3/2 Way shut-off valve	CDV	KG9017
Solvent resistant sight glass	CL	PL07233
Adapter plates-kit p ₁ /p ₂ G3/4		PL17682
Special oil for oil mist lubricators 1 l (see page 191)		KY8766

* for more gauges see page 186, 187

For more information see accessories page 64–67

Air preparation units

*Series airfit comfort
G3/8, G1/2*

Order instructions



Air preparation units

Series airfit comfort
G3/8, G1/2

Accessories – Porting block kit

To provide unlubricated air
e.g. for airgun

Versions:

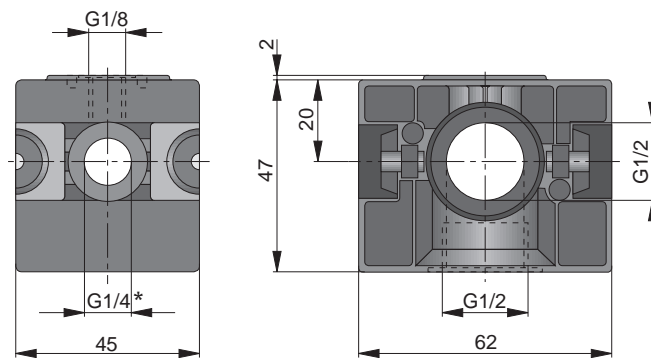
- Standard
- For pressure switch mounting
- Check valve, mountable

Delivery includes:

- 1 porting block
- 1 coupling kit
- Plug screws

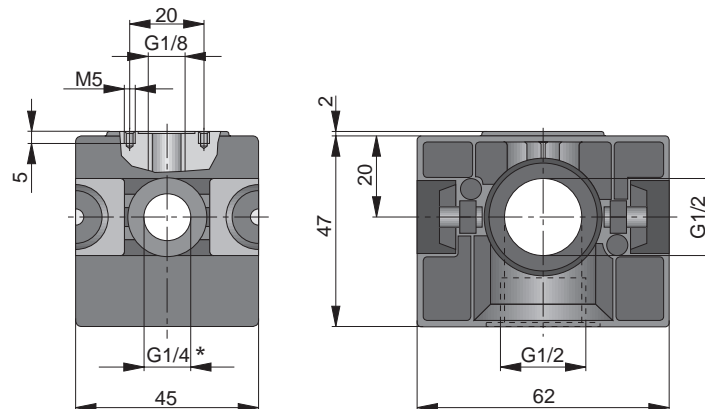
Characteristics	Description
Installation	Between 2 units of the series airfit comfort
Mounting	Directly flange mountable with coupling kit supplied
Material	Zinc diecasting, black finish

Standard version



* G1/4 thread on both sides

Version – for mounting pressure switch

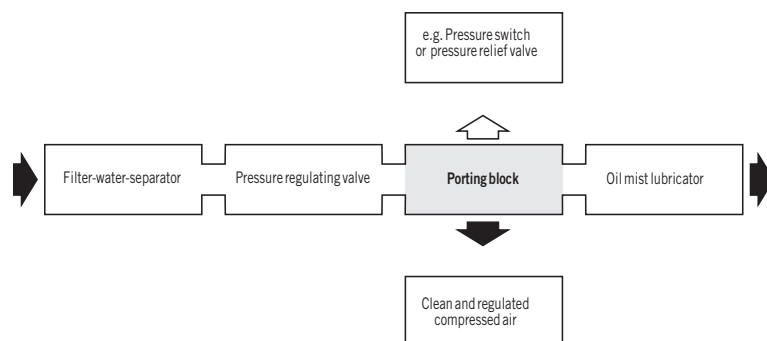
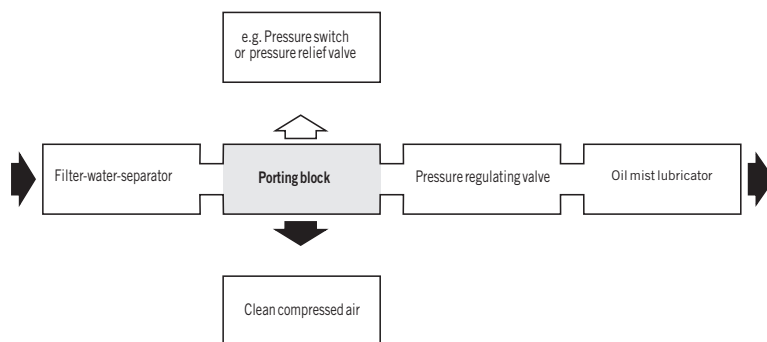


* G1/4 thread on both sides



Dimensions in mm

Installation instructions



Air preparation units

*Series airfit comfort
G3/8, G1/2*

*Accessories
– Porting block kit*

Order instructions

Description	Order instruction	
	Type	Order No.
Porting block kit – standard G1/8 - G1/2	CX-1/2	PL 17607
Porting block kit – for pressure switch mounting	CXH	PL 17609
Check valve, mountable on version for pressure switch mounting	RVC-1/2	PL 16596

Dimensions in mm



Air preparation units

Series airfit comfort
G3/8, G1/2

Accessories
– Bowl guard kit

The bowl guard protects the plastic bowl of filter-water-separators, oil mist lubricators, and filter-regulators against external damage.

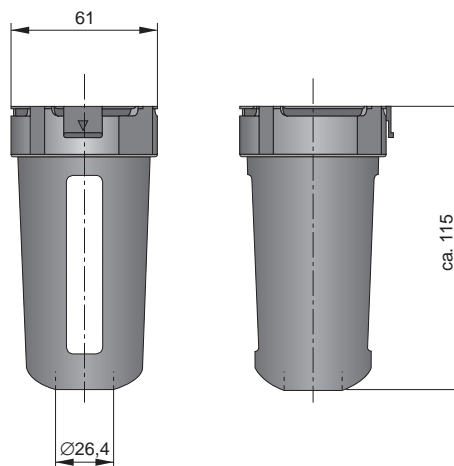
Assembly instructions:

The bowl guard kit consists of 3 parts. Please read the assembly instructions included with delivery.

Bowl guard kit

Characteristics	Description
Mounting	With snap mounting
Material	Zinc diecasting, polymer (POM)

Dimensions



Order instructions

Port size	Order No.
G3/8, G1/2	PL 17680



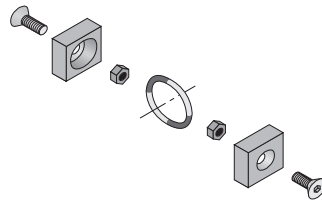
Dimensions in mm

Mounting kit



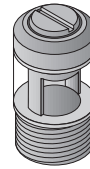
Order No. PL17518

Coupling kit



Order No. PL17608

Solvent resistant sight glass



Order No. PL07233

**Keylock for pressure regulator
Type: CR...-X**



Order No. PL17127

Gauge Ø50, 0–10 bar, G1/4



Order No. KG8012

Air preparation units

*Series airfit comfort
G3/8, G1/2*

Accessories

- Mounting kit*
- Coupling kit*
- Solvent resistant sight glass*
- Keylock*
- Gauges*

Dimensions in mm

