

Directional Control Valves

Series DRS-G1/8

Contents

Version	Actuation	Page		
		Characteristics	Dimensions	Order Instructions Overview
4/3 Way Valves	Rotary lever	12	13	13
	Rotary switch	12	13	13



4/3 Way Flat Slide Valves

Series DRS
G1/8

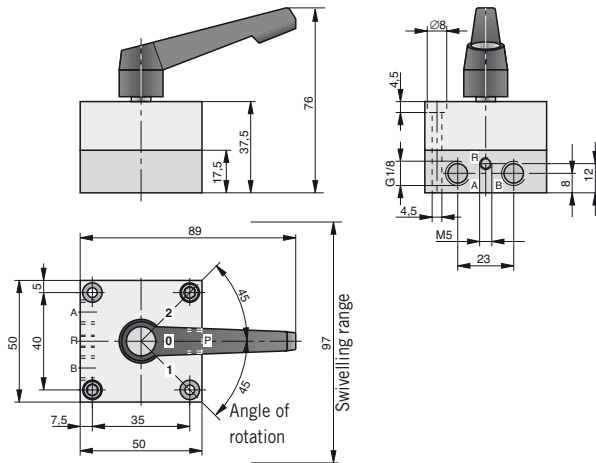
Actuation:
– Rotary lever
– Rotary switch

Characteristics – Series DRS

Characteristics	Symbol	Unit	Description
General Features			
System			Flat slide valve without automatic return to neutral position
Mounting			2 Screws M4
Tube connection			Thread
Port size			Port P, A, B: G1/8 Port R: M5
Weight (mass)		kg	0.500
Installation			In any position
Ambient temperature range	$T_{\min/\max}$	°C	-10 to +55 Note: Please consult us for operating temperatures below 0°C
Medium temperature range	$T_{\min/\max}$	°C	-10 to +60
Medium			Filtered compressed air
Lubrication			Oil mist lubrication compatible with Buna N
Pneumatic Characteristics			
Nominal pressure	p_n	bar	6
Operating pressure range	$p_{\min/\max}$	bar	0 – 10
Nominal flow	Q_N	l/min	350
Actuation			
Manual control			Direct
Actuation force	F_b	N	ca. 6

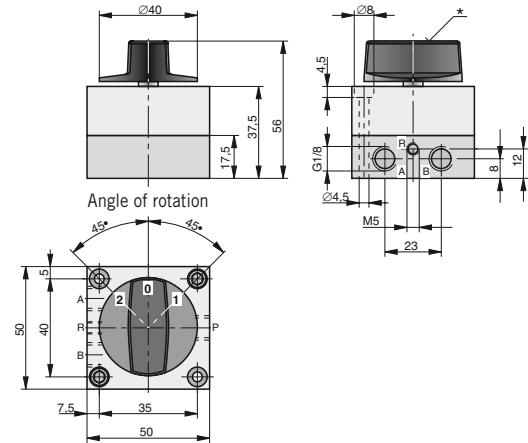


Rotary Lever – Type: DRS 412 -1/8




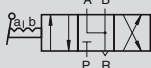



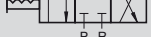
Port identification:
 A = 4 Outlet
 B = 2 Outlet
 R = 5 Exhaust
 P = 1 Pressure supply

Rotary Switch – Type: DRS 417 -1/8



* After removing the cover and loosening the mounting screws, the rotary switch is infinitely variable.

Order Instructions – 4/3 Way Flat Slide Valves, Series DRS

Actuation	Symbol	Order Instructions Type	Order No.
Rotary lever Middle position pressurized		DRS 412 B-1/8	PA 10267
Rotary lever Middle position vented		DRS 412 E-1/8	PA 10266
Rotary lever Middle position closed		DRS 412G-1/8	PA 10268
Rotary switch Middle position pressurized		DRS 417 B-1/8	PA 10264
Rotary switch Middle position vented		DRS 417 E-1/8	PA 10263
Rotary switch Middle position closed		DRS 417 G-1/8	PA 10265

Dimensions in mm

