

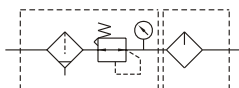
# MACP401 series

AIR UNITS (F.R.L.UNIT)



Option: MP41

### Symbol:



### Specification:

Model	MACP401		
Components	MAFR401, MAL401		
Bore No.	8A	10A	15A
Port size	PT 1/4	PT 3/8	PT 1/2
Medium	Air		
Operating pressure range	0~15 kgf/cm <sup>2</sup> (0~1.5 MPa)		
Proof pressure	20 kgf/cm <sup>2</sup> (2 MPa)		
Regulated pressure range	Standard type: 1~8.5 kgf/cm <sup>2</sup> (0.1~0.85 MPa)		
	High pressure type: 1~15 kgf/cm <sup>2</sup> (0.1~1.5 MPa)		
Ambient temperature	-5~+60°C (No freezing)		
Filter element	Standard: 40 μm Option: 5 μm		
Lubricating oil capacity	200c.c		
Min. Flow for oil drip	30 ℓ/min	65 ℓ/min	80 ℓ/min
Recommended lubricating oil	Turbine oil ISO-VG32		
Attachment	Pressure gauge(PG-20), L-type bracket		
Weight	1518 g		

※ Standard unit contains semi-auto-drain function when operating pressure below 0.5kgf/cm<sup>2</sup>.

### Order example:

MACP401 — 8A —  —  — T8 — BSP

MODEL

BORE SIZE

8A : PT 1/4  
10A : PT 3/8  
15A : PT 1/2

Module mounting bracket

T8: PT 1/4  
T10: PT 3/8  
T15: PT 1/2

FILTER ELEMENT  
Blank: 40 μm  
5u: 5 μm

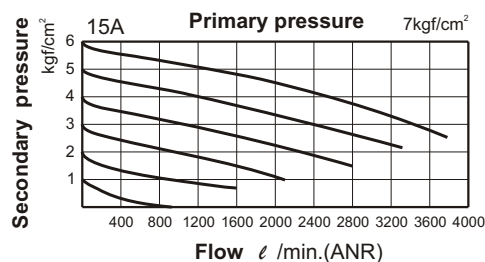
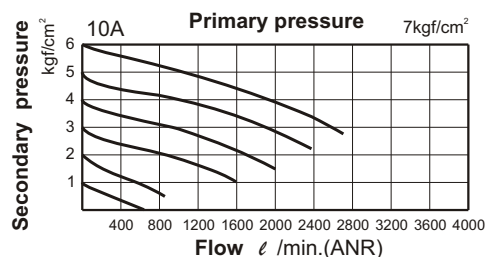
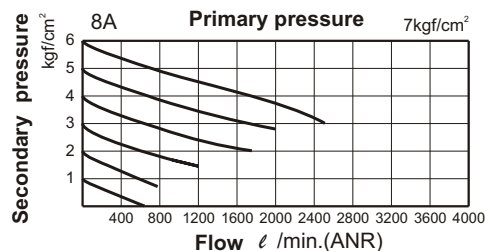
PORT THREAD

Blank: PT thread  
BSP: BSP thread  
NPT: NPT thread

Blank: standard  
C: external pressure gauge (PG-40)  
D: auto drain valve  
H: high pressure type  
P: pressure switch (MPS series)

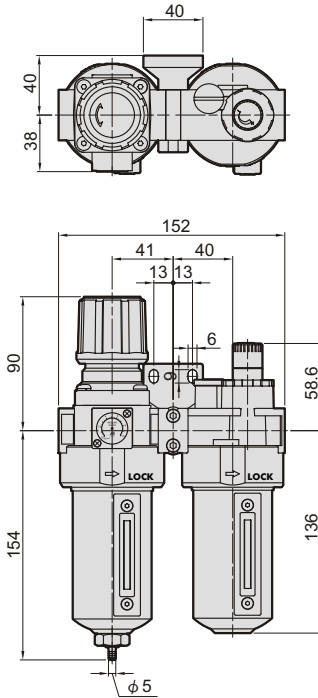
※ Refer to page E-14 for the option of digital pressure switch MP41.

### Flow feature:

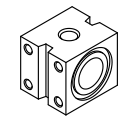
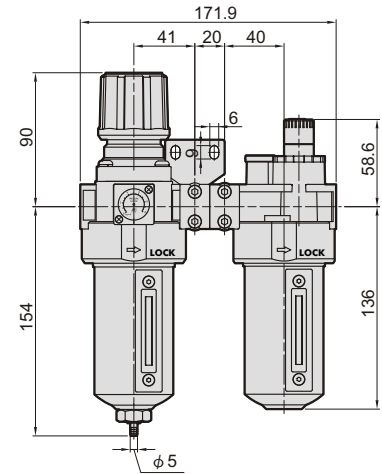


# MACP401 Dimensions

AIR UNITS (F.R.L.UNIT)

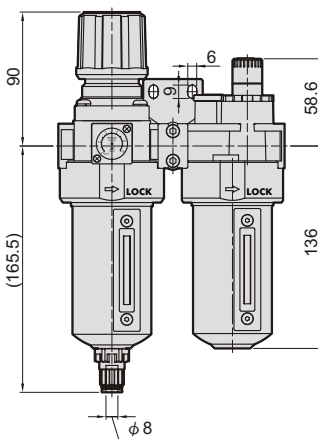


## MACP401-T\*



	PT
T8	PT 1/4
T10	PT 3/8
T15	PT 1/2

## MACP401-D



## MACP401-P

MPS Series  
pneumatic pressure switch

