

Ballscrews

Rolled Ballscrews

2.2.4 Ballscrew nuts for rolled ballscrews

The ballscrew nuts in the following list are available ex stock in tolerance class T7 and therefore can be delivered with a shorter delivery time.

Non-standard nut types and double nuts for rolled ballscrews as well as differing tolerance classes can be delivered for specific orders. To make this happen, please contact our HIWIN colleagues.

2.2.4.1 Flange Single Nut FSCDIN (DIN 69051 Part 5)

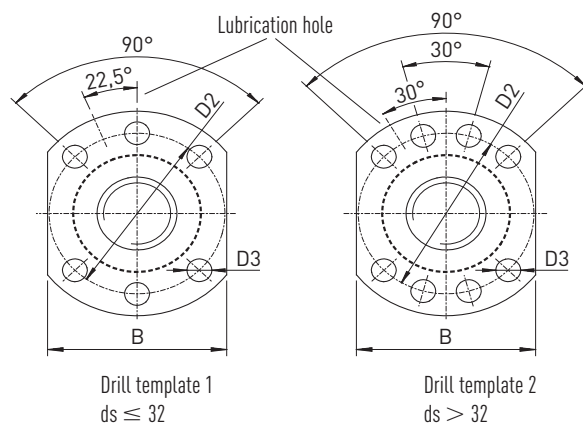
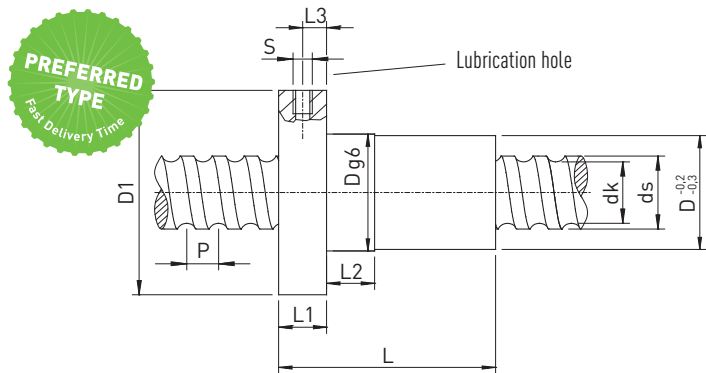


Table 2.4 Dimensions of the nut – Part 1

Article number	ds ±0,1	P	D g6	D1	D2	D3	Drill templ- ate	L	L1	L2	L3	S	B	dk	Dyn. Load C _{dyn} [N]	Stat. Load C ₀ [N]	Axial play max. [mm]	Mass [kg/pc.]
R16-05K4-FSCDIN	15,5	5	28	48	38	5,5	1	38	10	10	5	M6	40	12,8	12600	21000	0,04	0,17
R16-10K3-FSCDIN	14,6	10	28	48	38	5,5	1	45	10	10	5	M6	40	12,9	9100	19300	0,04	0,19
R16-16K3-FSCDIN	14,4	16	28	48	38	5,5	1	61	12	20	6	M6	40	12,9	9100	19300	0,04	0,30
R20-05K4-FSCDIN	19,5	5	36	58	47	6,6	1	40	10	10	5	M6	44	16,9	13400	32740	0,04	0,29
R20-10K3-FSCDIN	19,3	10	36	58	47	6,6	1	48	10	10	5	M6	44	17,3	10000	23500	0,04	0,32
R20-20K2-FSCDIN	19,5	20	36	58	47	6,6	1	57	10	10	5	M6	44	17,0	6800	15300	0,04	0,36
R20-20K4-DFSCDIN	19,5	20	36	58	47	6,6	1	57	10	10	5	M6	44	17,0	12300	30500	0,04	0,36
R25-05K4-FSCDIN	24,9	5	40	62	51	6,6	1	43	10	12	5	M6	48	22,3	14900	41500	0,04	0,31
R25-10K4-FSCDIN	24,4	10	40	62	51	6,6	1	61	10	16	5	M6	48	21,8	15900	40400	0,04	0,39
R25-25K2-FSCDIN	24,7	25	40	62	51	6,6	1	70	10	16	5	M6	48	22,0	7400	19100	0,04	0,43
R25-25K4-DFSCDIN	24,7	25	40	62	51	6,6	1	70	10	16	5	M6	48	22,0	13500	38200	0,04	0,43
R32-05K6-FSCDIN	31,7	5	50	80	65	9,0	1	48	12	10	6	M6	62	29,1	23900	81900	0,04	0,59
R32-10K5-FSCDIN	31,8	10	50	80	65	9,0	1	77	12	16	6	M6	62	28,6	31500	80100	0,04	1,02
R32-20K3-FSCDIN	31,8	20	50	80	65	9,0	1	88	12	16	7	M6	62	28,7	17000	48500	0,04	1,02
R32-32K2-FSCDIN	31,9	32	50	80	65	9,0	1	88	12	20	6	M6	62	28,7	11600	31800	0,04	1,20
R32-32K4-DFSCDIN	31,9	32	80	80	65	9,0	1	88	12	12	6	M6	62	28,7	20600	62200	0,04	1,33
R40-05K6-FSCDIN	39,4	5	63	93	78	9,0	2	50	14	10	7	M8 × 1	70	36,7	25900	100600	0,04	1,10
R40-10K4-FSCDIN	37,8	10	63	93	78	9,0	2	70	14	16	7	M8 × 1	70	32,9	45000	123000	0,04	1,25
R40-20K3-FSCDIN	37,8	20	63	93	78	9,0	2	88	14	16	7	M8 × 1	70	32,9	34850	90000	0,07	1,45
R40-40K2-FSCDIN	37,8	40	63	93	78	9,0	2	102	14	16	7	M8 × 1	70	32,9	23000	58400	0,07	1,60
R40-40K4-DFSCDIN	37,8	40	63	93	78	9,0	2	102	14	16	7	M8 × 1	70	32,9	41500	115800	0,07	1,60

Table 2.4 Dimensions of the nut – Part 2

Article number	ds ±0,1	P	D g6	D1	D2	D3	Drill templ- ate	L	L1	L2	L3	S	B	dk	Dyn. Load C _{dyn} [N]	Stat. Load C ₀ [N]	Axial play max. [mm]	Mass [kg/pc.]
R50-05K6-FSCDIN	49,3	5	75	110	93	11,0	2	50	16	10	8	M8 × 1	85	46,8	28300	127200	0,07	1,30
R50-10K6-FSCDIN	47,9	10	75	110	93	11,0	2	90	16	20	8	M8 × 1	85	44,9	74500	250000	0,07	2,20
R50-20K5-FSCDIN	48	20	75	110	93	11,0	2	132	18	25	9	M8 × 1	85	45,5	67200	217500	0,07	2,50
R50-40K3-FSCDIN	50,3	40	75	110	93	11,0	2	149	18	45	9	M8 × 1	85	45,0	39000	123000	0,07	3,30
R50-40K6-DFSCDIN	50,3	40	75	110	93	11,0	2	149	18	45	9	M8 × 1	85	45,0	70300	242600	0,07	3,37
R63-10T6-FSIDIN	63,1	10	90	125	108	11,0	2	120	18	16	9	M8 × 1	95	58,0	61920	214090	0,07	3,10

- DIN nuts for rolled ballscrew spindles
- Mating dimensions to DIN 69051 Part 5
- Nuts with polyamide wipers
- Precision ground ball grooves
- Reduced axial play on request
- FSC DIN: total return
- FSI DIN: single return

Order example: **R** **25** **10** **K4** **FSCDIN** **650** **730** **0,052**