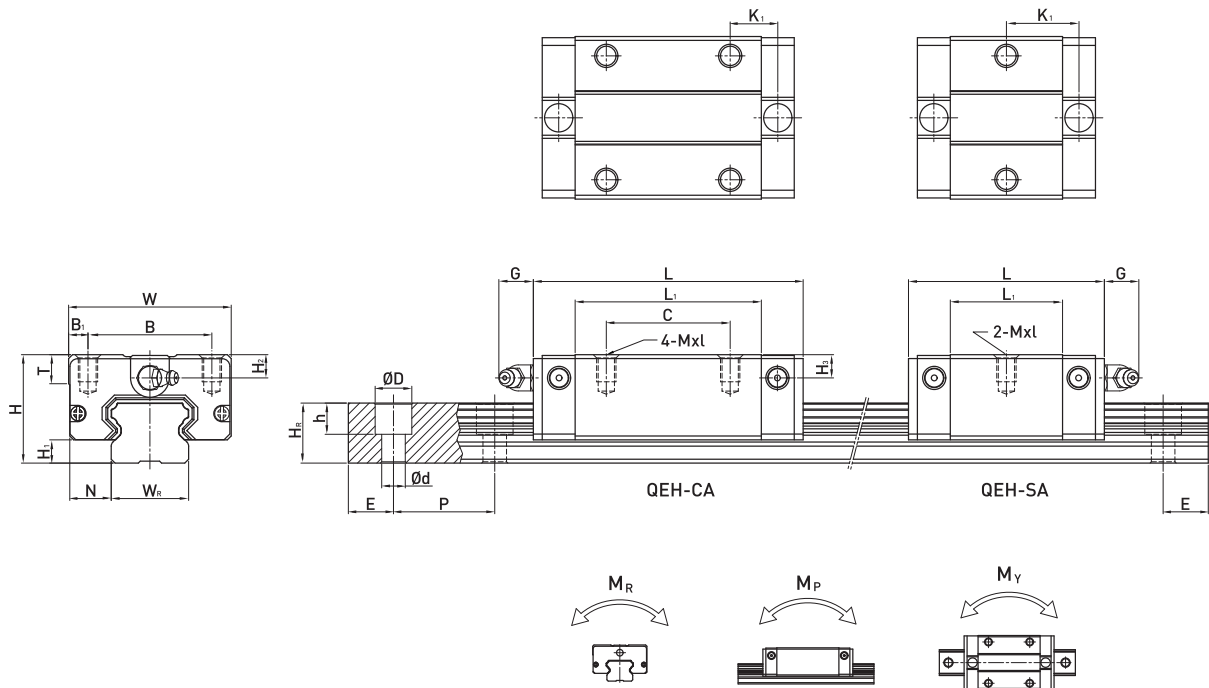


## 2-9-5 Dimensions for HIWIN QE Series

### (1) QEH-CA / QEH-SA



| Model No. | Dimensions of Assembly (mm) |                |      | Dimensions of Block (mm) |    |                |    |                |      |                |      |       |      |                |                |                | Mounting Bolt for Rail (mm) | Basic Dynamic Load Rating C (kN) | Basic Static Load Rating C <sub>0</sub> (kN) | Static Rated Moment |      |    | Weight |       |       |                       |                       |                       |            |             |
|-----------|-----------------------------|----------------|------|--------------------------|----|----------------|----|----------------|------|----------------|------|-------|------|----------------|----------------|----------------|-----------------------------|----------------------------------|--|---------------------|------|----|--------|-------|-------|-----------------------|-----------------------|-----------------------|------------|-------------|
|           | H                           | H <sub>1</sub> | N    | W                        | B  | B <sub>1</sub> | C  | L <sub>1</sub> | L    | K <sub>1</sub> | G    | Mxl   | T    | H <sub>2</sub> | H <sub>3</sub> | W <sub>R</sub> |                             |                                  |  | H <sub>R</sub>      | D    | h  | d      | P     | E     | M <sub>R</sub> (kN-m) | M <sub>P</sub> (kN-m) | M <sub>Y</sub> (kN-m) | Block (kg) | Rail (kg/m) |
|           | QEH15SA                     | 24             | 4    | 9.5                      | 34 | 26             | 4  | -              | 23.1 | 40.1           | 14.8 | 5.7   | M4x6 | 6              | 5.5            | 6              |                             |                                  |  | 15                  | 12.5 | 6  | 4.5    | 3.5   | 60    | 20                    | M3x16                 | 8.56                  | 8.79       | 0.07        |
| QEH15CA   |                             |                |      |                          |    |                | 26 | 39.8           | 56.8 | 10.15          |      |       |      |                |                |                |                             |                                  |  |                     |      |    |        |       |       |                       |                       |                       |            |             |
| QEH20SA   | 28                          | 6              | 11   | 42                       | 32 | 5              | -  | 29             | 50   | 18.75          | 12   | M5x7  | 7.5  | 6              | 6.5            | 20             | 15.5                        | 9.5                              | 8.5  | 6                   | 60   | 20 | M5x16  | 11.57 | 12.18 | 0.13                  | 0.05                  | 0.05                  | 0.15       | 2.08        |
| QEH20CA   |                             |                |      |                          |    |                |    |                |      |                |      |       |      |                |                |                |                             |                                  |  |                     |      |    |        |       |       |                       |                       |                       |            |             |
| QEH25SA   | 33                          | 6.2            | 12.5 | 48                       | 35 | 6.5            | -  | 35.5           | 60.1 | 21.9           | 12   | M6x9  | 8    | 8              | 8              | 23             | 18                          | 11                               | 9  | 7                   | 60   | 20 | M6x20  | 18.24 | 18.90 | 0.22                  | 0.10                  | 0.10                  | 0.24       | 2.67        |
| QEH25CA   |                             |                |      |                          |    |                |    |                |      |                |      |       |      |                |                |                |                             |                                  |  |                     |      |    |        |       |       |                       |                       |                       |            |             |
| QEH30SA   | 42                          | 10             | 16   | 60                       | 40 | 10             | -  | 41.5           | 67.5 | 25.75          | 12   | M8x12 | 9    | 8              | 9              | 28             | 23                          | 11                               | 9  | 7                   | 80   | 20 | M6x25  | 26.27 | 27.82 | 0.40                  | 0.18                  | 0.18                  | 0.44       | 4.35        |
| QEH30CA   |                             |                |      |                          |    |                |    |                |      |                |      |       |      |                |                |                |                             |                                  |  |                     |      |    |        |       |       |                       |                       |                       |            |             |

Note : 1 kgf = 9.81 N