

C-SERIES MOUVEX PRINCIPLE



ECCENTRIC DISC PUMPS

No mechanical seals

Seal free means leak free. Designed without mechanical seals, packing or magnets, the C-Series eliminates leakage and reduces maintenance time.

No expensive magnets

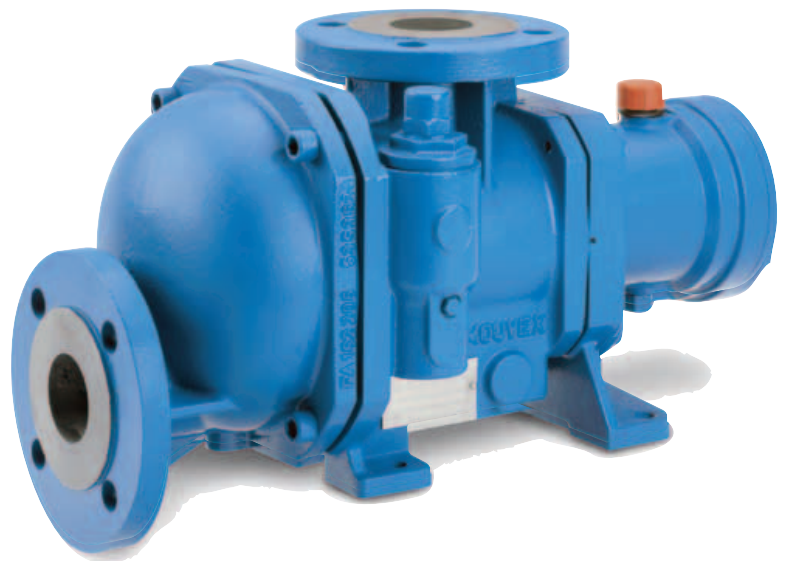
The C-Series pumps are direct coupled to the gear reduction unit or motor. No magnets are required.

Clean-In-Place capability

The C-Series is designed to be flushed and cleaned in place without disassembly.

Ideal for sanitary applications

The stainless steel models are ideal for sanitary applications, carry 3A approval certification and are designed per EHEDG (European Hygienic Equipment Design Group) recommendations.



C-Series Mouvex principle eccentric disc pumps

Gentle and efficient






Shear sensitive materials are safe when pumped with the C-Series. The unique eccentric disc concept provides gentle handling and high-volume efficiency.

Performance when It counts

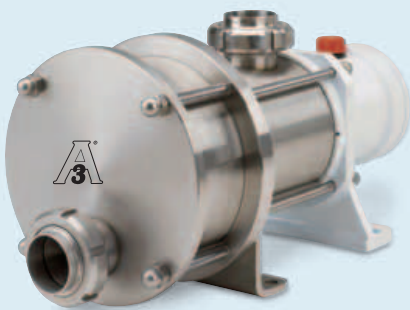
Capable of handling fluids and viscous liquids, the C-Series will clear intake and discharge lines of residual material. The C-Series provides extraordinary self-priming and limited dry-run capability. Thanks to its automatic piston/cylinder wear adjustment, performance of the C-Series remains the same over-time.

Application versatility

The innovative C-Series pumps are designed to meet a wide variety of industrial applications:

	Chemicals Fine chemicals	Resin, Paint, Varnish, Isocyanate...
	Pharmaceuticals Cosmetics	Syrup, Shampoo, Ointment...
	Agrochemicals	Liquid sugar, Sauces, Milk-base desserts, Aromas, Beverages...
	Papermaking	Latex, Pulp...
	Petrochemicals	Additives, Solvents, Acids...

Construction



Stainless steel

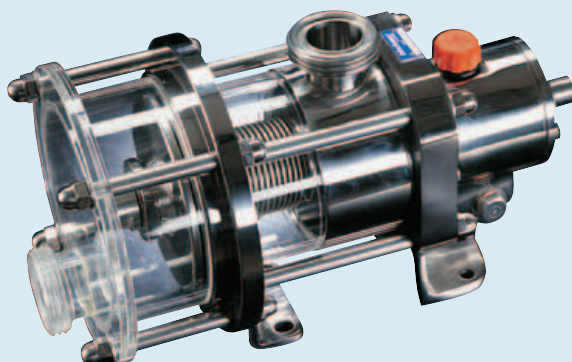
Bellows : 316 stainless steel	Flanges : SMS
Rings : FKM	DIN
Encapsulated PTFE	Cherry Burrel
FDA FKM	Clamp
	IDF
	Smooth tubings
	ANSI Compatible (PN20)
	PN16
	Optional heating jacket



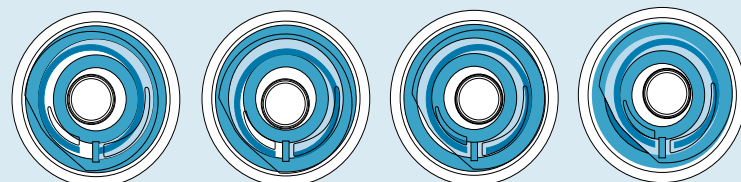
Ductile iron

Bellows: 316 stainless steel
Rings: FKM
Encapsulated PTFE
Flanges : ANSI Compatible (PN20)
PN16
Optional heating jacket

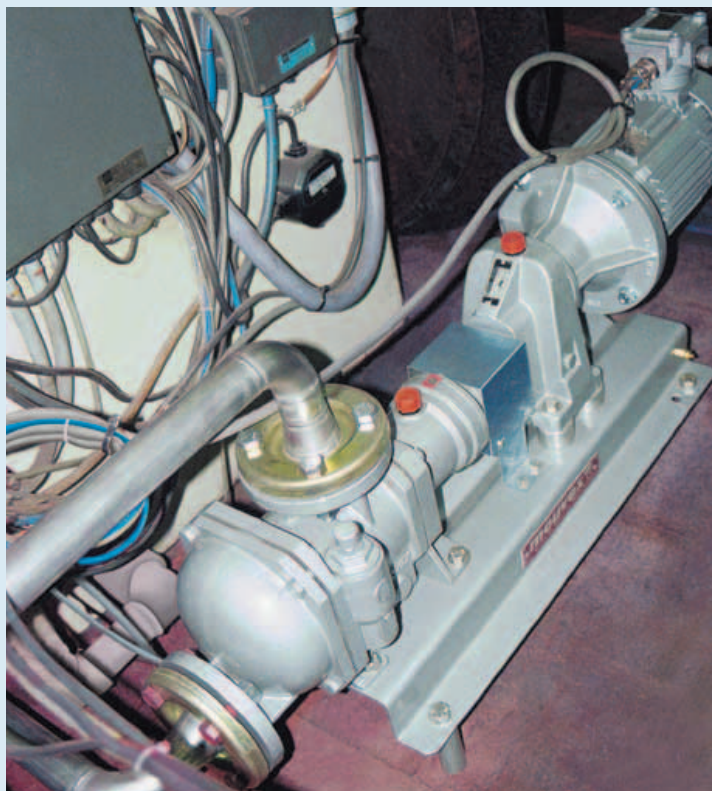
The Mouvex principle eccentric disc



Clear plexiglass body for illustration only



Installation



Ductile iron C-Series pump



Stainless steel C-Series pump

Performance Data

	C1	C2	C4	C8	C12	C18	C24	C36	C4-HT	C8-HT
Displacement (liters)	0,016	0,033	0,108	0,178	0,411	0,617	0,95	1,42	0,108	0,178
Max. temperature (°C)	100	100	100	100	100	100	100	100	150	150
Max. pressure (bars)	9	9	9	6	9	6	9	6	9	6
Max. speed (rpm)	1 000	1 000	750	750	500	500	450	450	750	750
Max. flow rate (m³/h)	1	2	5	8	12	18	24	36	5	8
Particle passage* (mm)	2	2	5	5	15	15	20	20	5	5
Openings size (Suct/Disch) (mm)	40	40	50	50	60	60	70	70	50	50
CIP/SIP (120°C)	YES (limited to 316L stainless steel constructions (i))									

*Non solid particles.

The range of series C pumps (cast iron and stainless steel constructions) are in conformity with ATEX II 2 GIBT4 certification. The range of series C pumps of stainless steel construction (i) are in conformity with standard 3A and with cleanability recommendations required by EHEDG certification.

Series C transmissions are lubricated using Klüber UH1 6-460 oil (FDA oil).

C-SERIES

MOUVEX PRINCIPLE ECCENTRIC DISC PUMPS

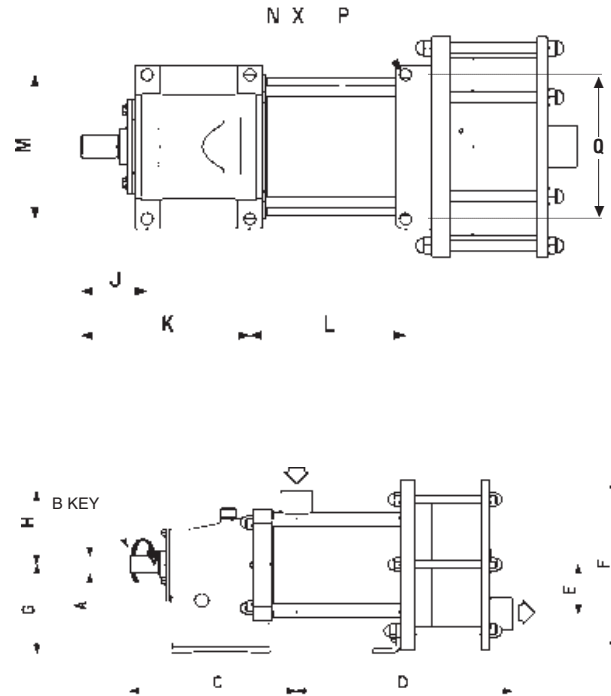
STAINLESS STEEL MODELS																
C1I		C2I		C4I		C8I		C12I		C18I		C24I		C36I		
IN	MM	IN	MM	IN	MM	IN	MM	IN	MM	IN	MM	IN	MM	IN	MM	
A	-	19	-	19	-	20	-	20	-	35	-	35	-	38	-	38
B	-	6	-	6	-	6	-	6	-	10	-	10	-	10	-	10
C	6.38	162	6.38	162	9.18	233	9.18	233	12.25	310.5	12.25	310.5	13.60	345.5	13.60	345.5
D	9.29	236	9.82	249.5	10.12	257	10.81	274	16.87	428	17.62	447.5	21.00	533.5	22.10	561.5
E	2.09	53	2.09	53	2.43	62	2.43	62	3.81	96.5	3.81	96.5	4.76	121	4.76	121
F	7.72	196	7.72	196	9	228	9	228	13.31	337	13.31	337	15.55	395	15.55	395
G	4.13	105	4.13	105	4.75	120	4.75	120	6.87	175	6.87	175	8.82	224	8.82	224
H	4.15	105.5	4.15	105.5	3.93	99	3.93	99	5.81	146.5	5.81	146.5	8.46	215	8.46	215
J	-	-	-	-	-	-	-	-	4	101	4	101	5.06	128.5	5.06	128.5
K	3.76	95.5	3.76	95.5	5.93	150	5.90	150	6.18	157	6.18	157	9.35	237.5	9.35	237.5
L	5.18	131.5	5.18	131.5	6.56	167	6.56	167	9.37	238	9.37	238	12.81	325.5	12.81	325.5
M	4.33	110	4.33	110	6	152	6	152	8.68	220	8.68	220	8.27	210	8.27	210
N	-	4	-	4	-	4	-	4	-	6	-	6	-	6	-	6
P	.39	10	.39	10	.56	14	.56	14	.75	18	.75	18	.70	18	.70	18
Q	-	-	-	-	-	-	-	-	-	-	-	-	11.02	280	11.02	280

STAINLESS STEEL MODELS WEIGHT															
C1I		C2I		C4I		C8I		C12I		C18I		C24I		C36I	
LB	KG	LB	KG	LB	KG	LB	KG	LB	KG	LB	KG	LB	KG	LB	KG
56	21	59	22	84	38	90	41	254	115	265	120	407	185	442	200

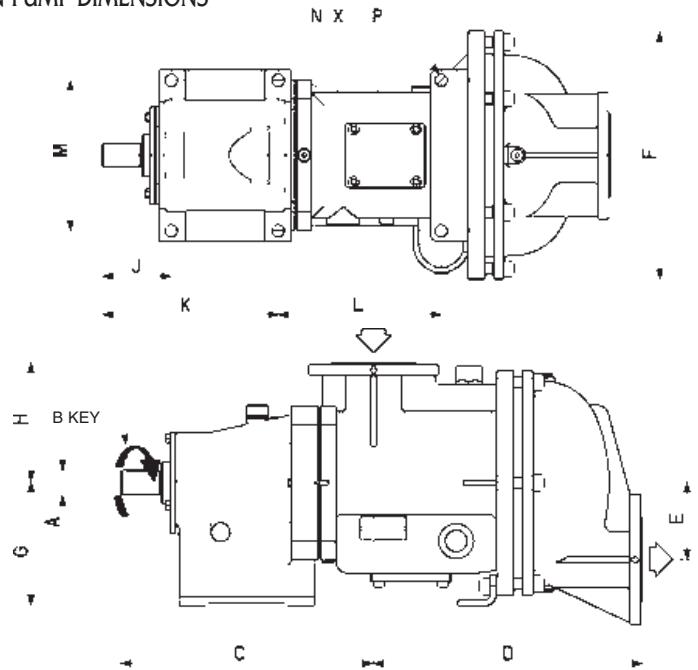
DUCTILE IRON MODELS								
C4A		C8A		C12A		C18A		
IN	MM	IN	MM	IN	MM	IN	MM	
A	-	20	-	20	-	35	-	35
B	-	6	-	6	-	10	-	10
C	9.18	233	9.18	233	12.25	310.5	12.25	310.5
D	9.56	242	10.18	259	15.12	384	15.12	384
E	2.62	67	2.62	67	4.31	109	4.31	109
F	10	254	10	254	14.31	363	14.31	363
G	4.75	120	4.75	120	6.87	175	6.87	175
H	5	127	5	127	6.81	172	6.81	172
J	-	-	-	-	4	101	4	101
K	5.93	150	5.93	150	6.18	157	6.18	157
L	6.81	172	6.81	172	9.43	239	9.43	239
M	6	152	6	152	8.68	220	8.68	220
N	-	4	-	4	-	6	-	6
P	.562	14	.562	14	.75	18	.75	18

DUCTILE IRON MODELS WEIGHT							
C4A		C8A		C12A		C18A	
LB	KG	LB	KG	LB	KG	LB	KG
95	43	101	46	254	115	265	120

STAINLESS STEEL PUMP DIMENSIONS



DUCTILE IRON PUMP DIMENSIONS



Distributed by:

these specifications are subject to change without notice. 11/99



1809 Century Avenue, Grand Rapids, MI 49503-1530 U.S.A. • Telephone: 616.241.1611 • Fax: 616.241.3752
 ZI La Plaine des Isles, rue des Caillottes, 89000 Auxerre, France • Téléphone: +33.3.86.49.86.30 • Fax: +33.3.86.46.42.10
 E-mail : contact@blackmer-mouvex.com

www.blackmer.com

