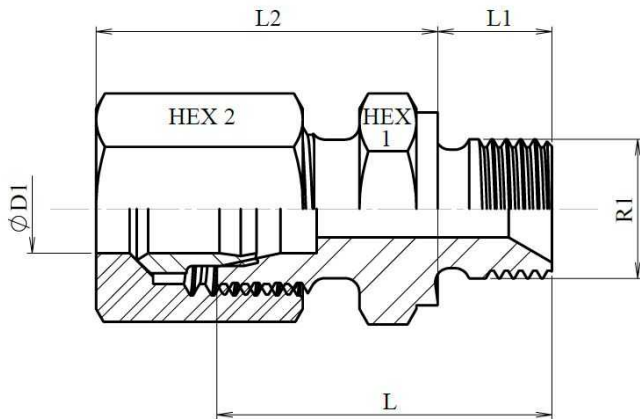


**Straight male stud coupling BSP cyl. 60°**

Mild Steel

**1/2**

Part n°	ØD1	Serie	R1	Working Pressure (bar)	L	L1	L2	HEX 1	HEX 2
<b>AL 6 RC 1/8</b>	6	L	1/8" BSP	315	23,5	8	23,5	14	14
<b>AL 6 RC 1/4</b>	6	L	1/4" BSP	315	29	12	25	19	14
<b>AL 8 RC 1/8</b>	8	L	1/8" BSP	315	24,5	8	24	14	17
<b>AL 8 RC 1/4</b>	8	L	1/4" BSP	315	29	12	25	19	17
<b>AL 8 RC 3/8</b>	8	L	3/8" BSP	315	30,5	12	26,5	22	17
<b>AL 10 RC 1/4</b>	10	L	1/4" BSP	315	30	12	26	19	19
<b>AL 10 RC 3/8</b>	10	L	3/8" BSP	315	31,5	12	27,5	22	19
<b>AL 10 RC 1/2</b>	10	L	1/2" BSP	315	34	14	28	27	19
<b>AL 12 RC 1/4</b>	12	L	1/4" BSP	315	31	12	27	19	22
<b>AL 12 RC 3/8</b>	12	L	3/8" BSP	315	31,5	12	27,5	22	22
<b>AL 12 RC 1/2</b>	12	L	1/2" BSP	315	34	14	28	27	22
<b>AL 15 RC 3/8</b>	15	L	3/8" BSP	315	32,5	12	29	24	27
<b>AL 15 RC 1/2</b>	15	L	1/2" BSP	315	35	14	29	27	27
<b>AL 18 RC 1/2</b>	18	L	1/2" BSP	315	36	14	31	27	32
<b>AL 18 RC 3/4</b>	18	L	3/4" BSP	315	38	16	31	32	32
<b>AL 22 RC 1/2</b>	22	L	1/2" BSP	160	38	14	33	32	36
<b>AL 22 RC 3/4</b>	22	L	3/4" BSP	160	40	16	33	32	36
<b>AL 28 RC 3/4</b>	28	L	3/4" BSP	160	41	16	34	41	41
<b>AL 28 RC 1</b>	28	L	1" BSP	160	43	18	34	41	41
<b>AL 35 RC 1</b>	35	L	1" BSP	160	46	18	40	46	50
<b>AL 35 RC 1 1/4</b>	35	L	1" 1/4 BSP	160	48	20	39	50	50
<b>AL 42 RC 1 1/2</b>	42	L	1" 1/2 BSP	160	52	22	42	55	60
<b>AS 6 RC 1/4</b>	6	S	1/4" BSP	630	32	12	28	19	17
<b>AS 8 RC 1/4</b>	8	S	1/4" BSP	630	34	12	30	19	19
<b>AS 10 RC 1/4</b>	10	S	1/4" BSP	630	34	12	31	19	22
<b>AS 10 RC 3/8</b>	10	S	3/8" BSP	630	34,5	12	31	22	22
<b>AS 10 RC 1/2</b>	10	S	1/2" BSP	315	39	14	34	27	22

**Straight male stud coupling BSP cyl. 60°**

Mild Steel

**2/2**

Part n°	ØD1	Serie	R1	Working Pressure (bar)	L	L1	L2	HEX 1	HEX 2
<b>AS 12 RC 1/4</b>	12	S	1/4" BSP	315	36	12	33	22	24
<b>AS 12 RC 3/8</b>	12	S	3/8" BSP	630	36,5	12	33,5	22	24
<b>AS 12 RC 1/2</b>	12	S	1/2" BSP	630	39	14	34	27	24
<b>AS 14 RC 3/8</b>	14	S	3/8" BSP	630	38,5	12	36,5	24	27
<b>AS 14 RC 1/2</b>	14	S	1/2" BSP	630	41	14	37	27	27
<b>AS 16 RC 3/8</b>	16	S	3/8" BSP	400	38,5	12	36,5	27	30
<b>AS 16 RC 1/2</b>	16	S	1/2" BSP	400	41	14	37	27	30
<b>AS 16 RC 3/4</b>	16	S	3/4" BSP	400	45	16	39	32	30
<b>AS 20 RC 1/2</b>	20	S	1/2" BSP	400	45	14	42	32	36
<b>AS 20 RC 3/4</b>	20	S	3/4" BSP	400	47	16	42	32	36
<b>AS 25 RC 3/4</b>	25	S	3/4" BSP	400	51	16	47	41	46
<b>AS 25 RC 1</b>	25	S	1" BSP	400	53	18	47	41	46
<b>AS 30 RC 1</b>	30	S	1" BSP	400	55	18	50	46	50
<b>AS 38 RC 1 1/4</b>	38	S	1" 1/4 BSP	315	62	20	57	55	60