

Directional spool valves, direct operated, with solenoid actuation

Type WE



- ▶ Size 10
- ▶ Component series 5X
- ▶ Maximum operating pressure 350 bar
- ▶ Maximum flow: 160 l/min – DC
120 l/min – AC



Features

- ▶ 4/3-, 4/2- or 3/2-way version
- ▶ Porting pattern according to ISO 4401-05-04-0-05
- ▶ High-power solenoid, optionally rotatable by 90°
- ▶ Electrical connection as individual or central connection
- ▶ Cartridge optionally equipped with PWM connector (fast switching amplifier, energy reduction)
- ▶ Manual override, optional
- ▶ CE conformity according to the Low-Voltage Directive 2014/35/EU for electrical voltages > 50 VAC or > 75 VDC
- ▶ Solenoid coil as approved component with UR marking, optional
- ▶ Approval according to CSA C22.2 no. 139-13, optional

Contents

Features	1
Ordering code	2 ... 7
Symbols	8, 9
Function, section	10
Technical data	11 ... 14
Characteristic curves	15, 16
Performance limits	17 ... 22
Dimensions	23 ... 28
Electrical connections, assignment	29, 30
Accessories	31
Project planning information	32
Further information	32

Ordering code

01	02	03	04	05	06	07	08	09	10	11	12	13	14	15	16	17
	WE	10		5X	/		E				/					*

01	3 main ports	3
	4 main ports	4
02	Directional valve	WE
03	Size 10	10
04	Symbols; possible version see page 8 and 9	
05	Component series 50 ... 59 (50 ... 59: unchanged installation and connection dimensions)	5X
06	With spring return	no code
	With reinforced compression spring (for quick switching off)	D
	Without spring return	O
	Without spring return with detent	OF ¹⁾
07	High-power wet-pin solenoid with detachable coil	E

Electrical voltages

08	DC voltage (For ordering code, see page 4 and 5)	G...
	AC voltage (For ordering code, see page 6 and 7)	W...
	AC voltage, with integrated rectifier (for ordering code, see page 7)	W...R

Manual override ²⁾ (see page 25)

09	Without manual override	no code
	With lockable manual override "mushroom button" (large)	N5 ^{1; 3)}
	With manual override "mushroom button" (large), not lockable	N6 ¹⁾
	With concealed manual override and protective cap	N8 ^{1; 4)}
	With concealed manual override (standard)	N9

Corrosion resistance (outside) (for the availability, refer to the table on page 3)

10	None (valve housing primed)	no code
	Improved corrosion protection (240 h salt spray test according to EN ISO 9227)	J3

Electrical connection

11	Individual connection or central connection	
	For ordering code see page 4 ... 7	e.g. K4

Switching time increase

12	Without switching time increase	no code
	With switching time increase (only with symbol ".73"; not for version "D" with reinforced compression spring; more information upon request)	A12

13	Without throttle insert (standard)	no code					
	With throttle insert (when the admissible valve performance limit is exceeded, refer to page 17 and 22) ⁵⁾						
	Port	0.8	1.0	1.2	2.0	3.0	4.0
	P	= B08	= B10	= B12	= B20	= B30	= B40
	A	= H08	= H10	= H12	= H20	= H30	= H40
	B	= R08	= R10	= R12	= R20	= R30	= R40
	A and B	= N08	= N10	= N12	= N20	= N30	= N40
	T ⁶⁾	= X08	= X10	= X12	= X20	= X30	= X40

Ordering code

01	02	03	04	05	06	07	08	09	10	11	12	13	14	15	16	17
	WE	10		5X	/		E				/					*

Control spool play

14	Standard (recommended)	no code
	Minimum (selection for reduced leakage values; higher oil cleanliness required)	T06
	Increased (selection with high temperature difference hydraulic fluid/environment; leads to higher internal leakage values)	T12

Seal material (observe compatibility of seals with hydraulic fluid used, see page 12)

15	NBR seals	M
	FKM seals	V
	Recommended for operation with HFC hydraulic fluids	MH
	Low-temperature version (only with version "Without manual override")	MT
16	Standard	no code
	Approval according to CSA C22.2 no. 139-13	CSA
	Porting pattern according to ANSI B93.9	AN ⁷⁾
17	Further details in the plain text	*

- 1) Only version "G..." and "W...R"
- 2) Operation of the manual override only possible up to 50 bar tank pressure. Avoid damage to the bore of the manual override. (Special tool for the operation, separate order, material no. **R900024943**). If the manual override is blocked, operation of the opposite solenoid is to be excluded. The manual override cannot be allocated a safety function.
- 3) With tank pressures higher than 50 bar, it is not guaranteed that the valve remains in the position into which it was switched by the lockable manual override ("N5").
- 4) Protective cap must be removed prior to actuation.
- 5) Not with low-temperature version "MT".
- 6) When throttle inserts are used in channel T, the pressure in the working ports and in case of connection to the tank chambers must not exceed 210 bar.
- 7) With power supply to
 - ▶ solenoid "a", channel P is connected to A
 - ▶ solenoid "b", channel P is connected to B



Notice:

For directional spool valves NG10 with spool position monitoring, see data sheet 23352.

Available corrosion resistance

	Electrical connection "DL", "DJL"							Manual override	
	"G12"	"G24"	"G96"	"G110"	"G205"	"G220"	"W200R"	Without	"N8"
"J3"	✓	✓	✓	✓	✓	✓	✓	✓	✓

Ordering code: DC voltage – individual connection**Electrical connections and available voltages**

(Special voltages available upon request)

Connector	Ordering code	Electrical voltages										Protection class according to DIN EN 60529 ¹⁾	Protection class according to VDE 0580	
		12 V	24 V	26 V	48 V	96 V	110 V	125 V	180 V	205 V	220 V			
		G12	G24	G26	G48	G96	G110	G125	G180	G205	G220			
Connector 3-pole (2 + PE) according to DIN EN 175301-803	▶ Standard ▶ With potted-in plug base and sealing element	K4	✓	✓	–	✓	✓	✓	✓	✓ ⁴⁾	✓ ⁴⁾	IP65	I ²⁾	
		K4K ⁵⁾	✓ ⁴⁾	✓ ⁴⁾	✓ ⁴⁾	–	–	–	–	–	–	IP65	I ²⁾	
Connector, 4-pole, M12x1 according to DIN EN 61076-2-101 with suppressor diode, coding A	▶ Pin assignment according to DESINA	K72L	–	✓ ⁴⁾	–	–	–	–	–	–	–	IP65	III ³⁾	
Connector 2-pole (Junior-Timer type)	▶ Connector radial to the valve axis	C4Z	–	–	✓ ⁴⁾	–	–	–	–	–	–	IP66	III ³⁾	
Maximum admissible overvoltages according to DIN EN 60664-1 (VDE 0110-1) (overvoltage category II):														
Nominal voltage U_{Nom}	in V		12	24	26	48	96	110	125	180	205	220		
Rated current I_{Nom}	in A		3.44	1.61	1.51	0.86	0.44	0.38	0.33	0.26	0.21	0.19		
Maximum admissible switch-off overvoltage according to VDE 0580	in V		500	500	500	500	500	500	500	500	500	500		
Recommended interference protection circuit with 2 x nominal voltage	in V		24	48	52	96	192	220	250	360	410	440		

- 1) Only with correctly mounted valve with a mating connector suitable for the protection class.
- 2) Protection class I with properly connected protective grounding conductor (PE) and valve mounting surface connected to the protective grounding conductor system.
- 3) With protection class III, a protective extra-low voltage with safety transformer (PELV, SELV) is to be provided.
- 4) Solenoid coils without "Recognized component" according to UL 429
- 5) Recommended for mobile applications; with additional sealing between solenoid coil and pole tube.

Notice:

Solenoid valves induce voltage peaks during switch-off. In order to prevent electro-magnetic interference at the system and damage to the valve control, an interference protection circuit has to be provided on the system side. Alternatively, you can also select a connector with integrated interference protection circuit.

Ordering code: Direct voltage – central connection**Electrical connections and available voltages**

(Special voltages available upon request)

Connector		Ordering code	Electrical voltages						Protection class according to DIN EN 60529 ¹⁾	Protection class according to VDE 0580
			12 V	24 V	96 V	110 V	205 V	220 V		
			G12	G24	G96	G110	G205	G220		
Cable gland, terminal area 6 ... 12 mm	▶ With indicator light	DL ⁶⁾	✓	✓	✓	✓	✓	✓	IP65	I ²⁾
Cable gland, threaded connection 1/2"-14 NPT	▶ With indicator light	DAL	✓	✓	✓	✓	✓	✓	IP65 ⁷⁾	I ²⁾
Cable gland at the cover	▶ With indicator light and cable bridge at the ground connection	DJL ⁶⁾	–	✓	✓	✓	–	–	IP65	I ²⁾
Connector 7-pole (6 + PE) according to DIN EN 175201-804	▶ With indicator light	DK6L ⁸⁾	✓	✓	✓	✓	✓	✓	IP65	I ²⁾
Connector according to ANSI/B93.55M-1981 (Brad Harrison Mini-Change)	▶ With indicator light, 5-pole	DK25L ⁸⁾	✓	✓	✓	✓	✓	✓	IP65	I ²⁾
Maximum admissible overvoltages according to DIN EN 60664-1 (VDE 0110-1) (overvoltage category II):										
Nominal voltage U_{Nom}	in V		12	24	96	110	205	220		
Rated current I_{Nom}	in A		3.44	1.61	0.44	0.38	0.21	0.19		
Maximum admissible switch-off overvoltage according to VDE 0580	in V		500	500	500	500	500	500		
Recommended interference protection circuit with 2 x nominal voltage	in V		24	48	192	220	410	440		

- 1) Only with correctly mounted valve with a mating connector suitable for the protection class or suitable conduit system.
- 2) Protection class I with properly connected protective grounding conductor (PE) and valve mounting surface connected to the protective grounding conductor system.
- 3) With protection class III, a protective extra-low voltage with safety transformer (PELV, SELV) is to be provided.
- 6) Possible with version "J3".
- 7) Only with professionally designed connection with appropriate sealing to the central connection frame.
- 8) Connector pin assignment see page 30

Ordering code: Alternating voltage – individual connection**Electrical connections and available voltages**

(Special voltages available upon request)

Connector	Ordering code	Electrical voltages										Protection class according to DIN EN 60529 ¹⁾	Protection class according to VDE 0580
		100 V 50/60 Hz	100 V 50/60 Hz	110 V 50/60 Hz	120 V 60 Hz	110 V 50 Hz 120 V 60 Hz	200 V 50/60 Hz	200 V 50/60 Hz	230 V 50/60 Hz	230 V 50/60 Hz			
		Ordering code											
		G96	W100	G96	G110	W120	G180	W200	G205	W230			
Connector 3-pole (2 + PE) according to DIN EN 175301-803	► Standard	K4	✓	✓	✓	✓	✓	✓	✓	✓	✓	IP65	I ²⁾
Rectifier required (see page 31)			✓	–	✓	✓	–	✓	–	✓	–		
Maximum admissible overvoltages according to DIN EN 60664-1 (VDE 0110-1) (overvoltage category II):													
Nominal voltage U_{Nom}	in V	100	100	110	120	110 120	200	200	230	230			
Rated current I_{Nom}	► 50 Hz	in A	0.41	1.05	0.45	–	0.80	0.26	0.48	0.21	0.43		
	► 60 Hz	in A	0.41	0.78	0.45	0.37	0.65	0.26	0.36	0.21	0.32		
Lower rated current I_1	► 50 Hz	in A	–	1.21	–	–	0.92	–	0.55	–	0.50		
	► 60 Hz	in A	–	0.9	–	–	0.75	–	0.42	–	0.37		
Upper rated current I_2	► 50 Hz	in A	–	1.92	–	–	1.20	–	0.9	–	0.90		
	► 60 Hz	in A	–	1.2	–	–	1.20	–	0.6	–	0.60		
Maximum admissible switch-off overvoltage according to VDE 0580	in V	500	500	500	500	500	500	500	500	500			
Recommended interference protection circuit with 2 x nominal voltage	in V	200	200	220	240	240	400	400	460	460			

¹⁾ Only with correctly mounted valve with a mating connector suitable for the protection class.

²⁾ Protection class I with properly connected protective grounding conductor (PE) and valve mounting surface connected to the protective grounding conductor system.

Notice:

- Solenoid valves induce voltage peaks during switch-off. In order to prevent electro-magnetic interference at the system and damage to the valve control, an interference protection circuit has to be provided on the system side. Alternatively, you can also select a connector with integrated interference protection circuit.
- Dependent on the rated current I_{Nom} , circuit breakers according to tripping characteristic "K" are to be provided. Within a time interval of 0.6s, the tripping current must be 8 to 10 times the nominal power supply. The required non-tripping current of the fuse must not fall below the "lower rated current" value I_1 (see table above). The maximum tripping current must not exceed the "upper rated current" value I_2 (see table above). The temperature dependence of the tripping behavior of the circuit breakers has to be observed according to the manufacturer's specifications.

Ordering code: Alternating voltage – central connection**Electrical connections and available voltages**

(Special voltages available upon request)

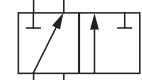
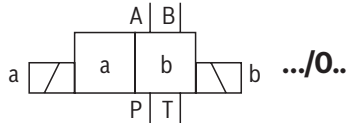
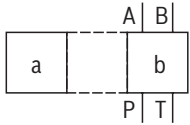
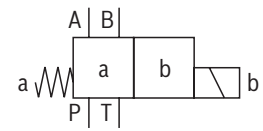
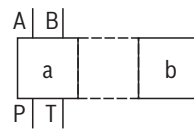
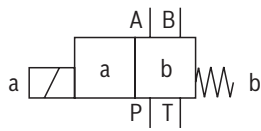
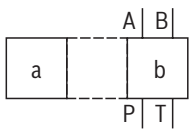
Connector		Ordering code	Electrical voltages							Protection class according to DIN EN 60529 ¹⁾	Protection class according to VDE 0580	
			100 V 50/60 Hz	100 V 50/60 Hz	110 V 50/60 Hz	120 V 60 Hz	120 V 60 Hz	200 V 50/60 Hz	200 V 50/60 Hz			230 V 50/60 Hz
			Ordering code									
			W100	W100R	W110R	W120R	W120	W200	W200R	W230R		
Cable gland, terminal area 6 ... 12 mm	▶ With indicator light	DL	✓	✓	✓	✓	✓	✓	✓	✓	IP65	I ²⁾
	▶ With indicator light and interference protection circuit ³⁾	DJL	✓	✓	✓	-	-	✓	✓	-	IP65	I ²⁾
Cable gland, threaded connection 1/2"-14 NPT	▶ With indicator light	DAL	✓	✓	✓	✓	✓	✓	✓	✓	IP65	I ²⁾
Connector 7-pole (6 + PE) according to DIN EN 175201-804	▶ With indicator light	DK6L	-	✓	✓	✓	-	-	✓	✓	IP65	I ²⁾
Connector according to ANSI/B93.55M-1981 (Brad Harrison Mini-Change)	▶ With indicator light, 5-pole	DK25L	✓	✓	✓	✓	✓	✓	✓	-	IP65	I ²⁾
Maximum admissible overvoltages according to DIN EN 60664-1 (VDE 0110-1) (overvoltage category II):												
Nominal voltage U_{Nom}		in V	100	100	110	120	120	200	200	230		
Rated current I_{Nom}	▶ 50 Hz	in A	1.05	1.05	0.45	0.37	-	0.48	0.48	0.21		
	▶ 60 Hz	in A	0.78	0.78	0.45	0.37	0.65	0.36	0.36	0.21		
Lower rated current I_1	▶ 50 Hz	in A	1.21	1.21	-	-	-	0.55	0.55	-		
	▶ 60 Hz	in A	0.9	0.9	-	-	0.75	0.42	0.42	-		
Upper rated current I_2	▶ 50 Hz	in A	1.92	1.92	-	-	-	0.9	0.9	-		
	▶ 60 Hz	in A	1.2	1.2	-	-	1.20	0.6	0.6	-		
Maximum admissible switch-off overvoltage according to VDE 0580		in V	500	500	500	500	500	500	500	500		
Recommended interference protection circuit with 2 x nominal voltage		in V	200	200	-	-	240	400	400	-		

- 1) Only with correctly mounted valve with a mating connector suitable for the protection class or suitable conduit system.
- 2) Protection class I with properly connected protective grounding conductor (PE) and valve mounting surface connected to the protective grounding conductor system.
- 3) Wire bridge between pin 2- and 4-.

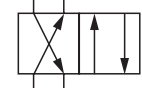
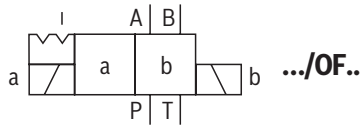
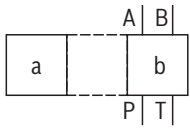
Notice:

- ▶ Solenoid valves induce voltage peaks during switch-off. In order to prevent electro-magnetic interference at the system and damage to the valve control, an interference protection circuit has to be provided on the system side. For valves with integrated rectifier ("W...R"), no protection circuit on the system side is required. The rectifier in the valve completes this function.
- ▶ Dependent on the rated current I_{Nom} , circuit breakers according to tripping characteristic "K" are to be provided. Within a time interval of 0.6s, the tripping current must be 8 to 10 times the nominal power supply. The required non-tripping current of the fuse must not fall below the "lower rated current" value I_1 (see table above). The maximum tripping current must not exceed the "upper rated current" value I_2 (see table above). The temperature dependence of the tripping behavior of the circuit breakers has to be observed according to the manufacturer's specifications.

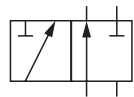
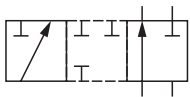
Symbols



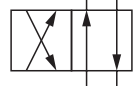
B
B73



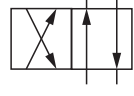
Y
Y73



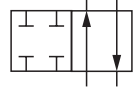
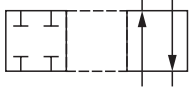
A
A73



C



D
D73

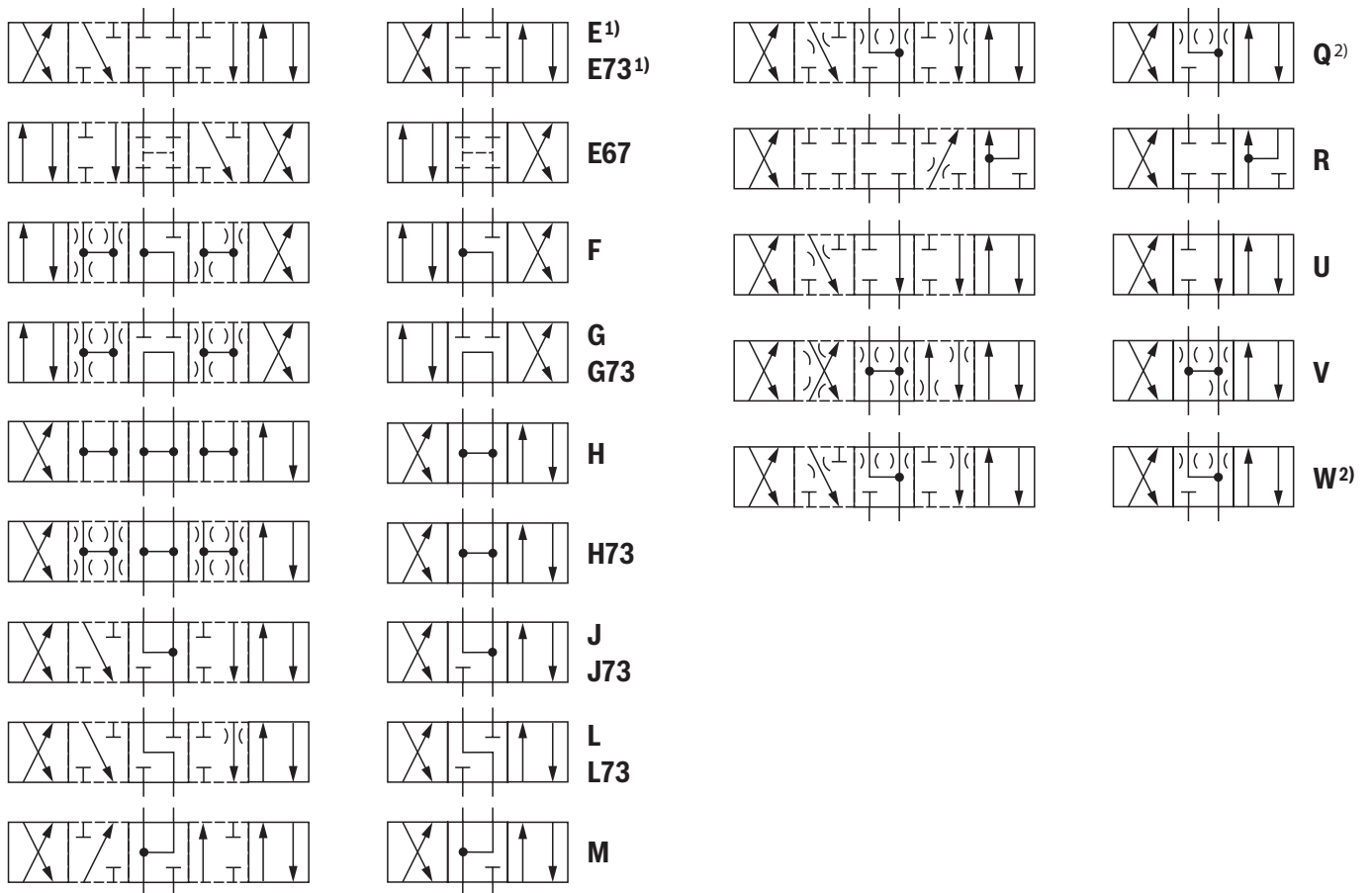
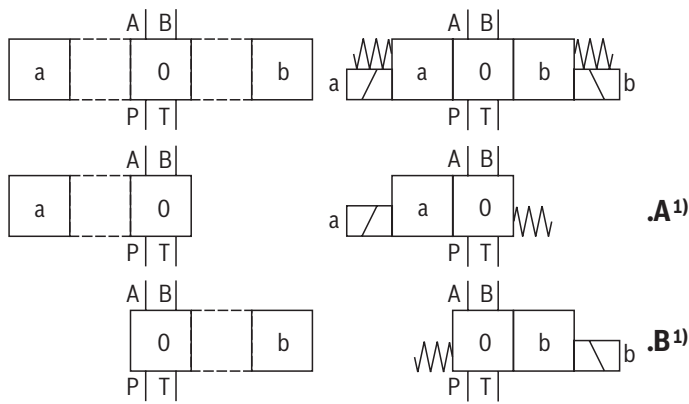


X7

Notice:

Representation according to DIN ISO 1219-1.
Hydraulic interim positions are shown by dashes.

Symbols



- 1) **Example:**
- ▶ Symbol E with spool position "a" ordering code ..EA..
 - ▶ Symbol E with spool position "b" ordering code ..EB..
- 2) Flow cross-section see page 12.

Notice:

- ▶ Representation according to DIN ISO 1219-1.
- Hydraulic interim positions are shown by dashes.
- ▶ Other symbols upon request.

Function, section

The directional valves of type WE are solenoid-actuated directional spool valves that can be used as electro-hydraulic component. They control the start, stop and direction of a flow.

The directional valves basically consist of the housing (1), one or two electronic solenoids (2), the control spool (3), and the return springs (4).

In the de-energized condition, the control spool (3) is held in the central position or in the initial position by the return springs (4) (except for version "O").

If the wet-pin electronic solenoid (2) is supplied with power, the control spool (3) moves out of its rest position into the required end position. In this way, the required direction of flow according to the selected symbol is released.

After the electronic solenoid (2) has been switched off, the control spool (3) is pushed back into its central position or into its initial position (except for valves with "OF" detent and valves without type "O" spring). A manual override (5) allows for the manual switching of the valve without solenoid energization.

For unobjectionable functioning, the hydraulic system has to be bled properly.

Without spring return "O" (only possible with symbols A, C and D)

This version is a directional valve with two spool positions and two electronic solenoids **without** detent. The valve without spring return at the control spool (3) has no defined basic position in the de-energized condition.

Without spring return with "OF" detent

(only possible with symbols A, C and D)

This version is a directional valve with two spool positions and two electronic solenoids **with** detent. The detents are used to fix the control spool (3) in the relevant spool position. During operation, continuous application of current to the electronic solenoid can thus be omitted which contributes to energy-efficient operation.

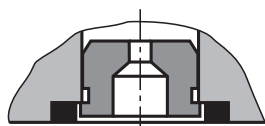
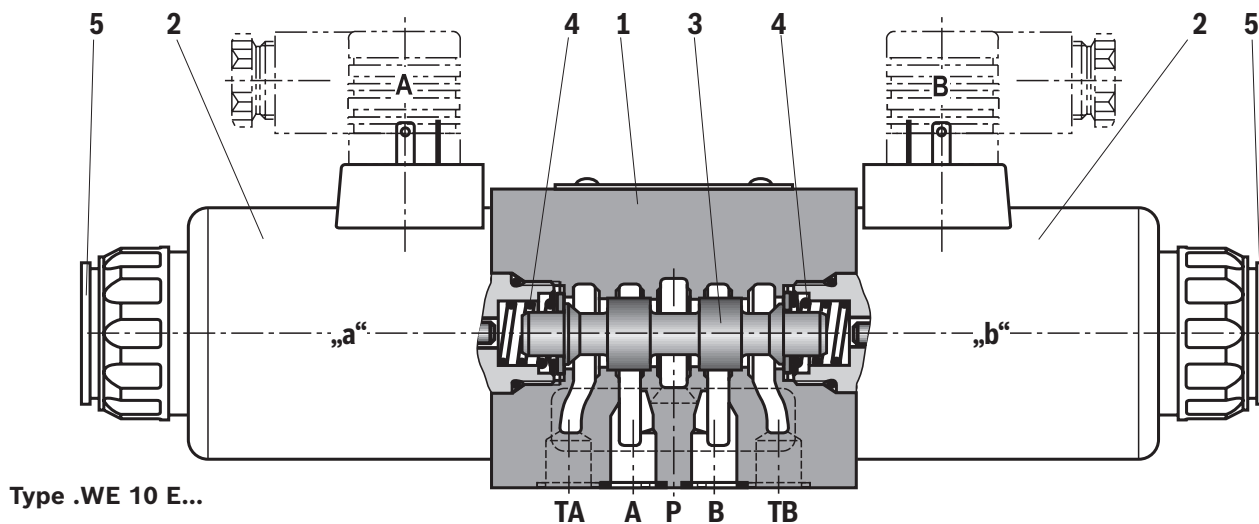
Version ".73...A12" (smooth switching behavior)

By means of structural design of the control spools and solenoids, switching shocks occurring when activating and deactivating the valves are significantly reduced.

The switching shocks, measured as acceleration values **a**, can be reduced by up to approx. 85% when compared to the standard valve depending on the design of the control spool (for this, see "Acceleration values" on page 14).

Notice:

Pressure peaks in the tank line to two or several valves can result in unintended movements of the control spool in the case of version with detent. We therefore recommend that separate return lines be provided or a check valve installed in the tank line. Due to the design principle, internal leakage is inherent to the valves, which may increase over the life cycle.



Throttle insert

The use of a throttle insert is required when, due to prevailing operating conditions, flows occur during the switching processes which exceed the performance limit of the valve.

Technical data

(For applications outside these values, please consult us!)

General		
Type of connection		Subplate mounting
Porting pattern		ISO 4401-05-04-0-05
Weight		Individual connection
	▶ Valve with one solenoid	kg
	▶ Valve with two solenoids	kg
		Central connection
		3.9
		5.5
		4.0
		5.6
Installation position		any ¹⁾
Ambient temperature range	▶ NBR seals	°C
	▶ FKM seals	°C
	▶ Version for HFC hydraulic fluid	°C
	▶ Low-temperature version ³⁾	°C
		-20 ... +70 ²⁾
		-15 ... +70 ²⁾
		-20 ... +50
		-40 ... +50
Storage temperature range		°C
		+5 ... +40
Protection class according to EN 60529		see page 4 ... 7
Maximum surface temperature ⁴⁾		°C
		140
MTTF _D values according to EN ISO 13849	▶ Version "G..."	years
	▶ Version "W..."	
	▶ Version "W...R"	
		300 ... 2400 ⁵⁾
		150 ... 1200 ⁵⁾
		300 ... 2400 ⁵⁾
Conformity	▶ CE according to EMC directive 2014/35/EU, tested according to	
		EN 60204-1, classified as component

¹⁾ With suspended installation, higher sensitivity to contamination. Horizontal installation is recommended.

²⁾ Maximum +50 °C for version "W..."

³⁾ For the use at low temperatures, see Project planning information on page 32.

⁴⁾ Due to the arising surface temperatures of the solenoid coils, the standards ISO 13732-1 and ISO 4413 are to be observed. The specified surface temperature in AC solenoids is valid for fault-free operation. In the error case (e.g. blocking of the control spool), the surface temperature may increase above 180 °C. Thus, the system must be checked for possible dangers considering the ignition temperature of the hydraulic fluid used. As protection, circuit breakers (see table page 4 ... 7) must be used, unless the creation of an ignitable atmosphere can be excluded in a different way. Thus, the surface temperature can – in the error case – be limited to maximally 220 °C. You have to use connection cables that have been approved of for a working temperature of more than 90 °C (individual connection) and/or 105 °C (central connection). Contact between the connection cable and the coil surfaces must be prevented.

⁵⁾ For further details, see data sheet 08012

Technical data

(For applications outside these values, please consult us!)

Hydraulic			
Maximum operating pressure ³⁾	▶ Ports A, B, P	bar	350
	▶ Port T ⁶⁾		
	– Direct voltage DC	bar	210
	– Alternating voltage AC	bar	160
Hydraulic fluid			see table below
Hydraulic fluid temperature range (at the valve working ports)	▶ NBR seals	°C	–20 ... +80
	▶ FKM seals	°C	–15 ... +80
	▶ HFC hydraulic fluid	°C	–20 ... +50
	▶ Low-temperature version ³⁾	°C	–40 ... +50
Viscosity range		mm ² /s	2.8 ... 500
Maximum admissible degree of contamination of the hydraulic fluid; cleanliness class according to ISO 4406 (c)			Class 20/18/15 ⁷⁾
Maximum flow	▶ Direct voltage DC	l/min	160
	▶ Alternating voltage AC	l/min	120
Flow cross-section (spool position 0)	▶ Symbol Q	mm ²	approx. 6% of nominal cross-section
	▶ Symbol W	mm ²	approx. 3% of nominal cross-section

Hydraulic fluid	Classification	Suitable sealing materials	Standards	Data sheet
Mineral oils	HL, HLP, HLPD, HVLP, HVLPD	NBR, FKM	DIN 51524	90220
Bio-degradable	▶ Insoluble in water	HETG	ISO 15380	90221
		HEES		
	▶ Soluble in water	HEPG	ISO 15380	
Flame-resistant	▶ Water-free	HFDU (glycol base)	ISO 12922	90222
		HFDU (ester base)		
		HFDR		
	▶ Containing water	HFC (Fuchs: Hydrotherm 46M, Fuchs Renosafe 500; Petrofer: Ultra Safe 620; Houghton: Safe 620; Union: Carbide HP5046)	NBR	ISO 12922

Important information on hydraulic fluids:

- ▶ For further information and data on the use of other hydraulic fluids, please refer to the data sheets above or contact us.
- ▶ There may be limitations regarding the technical valve data (temperature, pressure range, life cycle, maintenance intervals, etc.).
- ▶ The ignition temperature of the hydraulic fluid used must be 50 K higher than the maximum surface temperature.
- ▶ **Bio-degradable and flame-resistant – containing water:** If components with galvanic zinc coating (e.g. version "J3" or "J5") or parts containing zinc are used, small amounts of dissolved zinc may get into the hydraulic system and cause accelerated aging of the hydraulic fluid. Zinc soap may form as a chemical reaction product, which may clog filters, nozzles and solenoid valves – particularly in connection with local heat input.

▶ Flame-resistant – containing water:

- Due to increased cavitation tendency with HFC hydraulic fluids, the life cycle of the component may be reduced by up to 30% as compared to the use with mineral oil HLP. In order to reduce the cavitation effect, it is recommended - if possible specific to the installation - to back up the return flow pressure in ports T to approx. 20% of the pressure differential at the component.
- Dependent on the hydraulic fluid used, the maximum ambient and hydraulic fluid temperature must not exceed 50 °C. In order to reduce the heat input into the component, a maximum duty cycle of 50% in continuous operation has to be set for on/off valves (measuring time 300 s). If this is not possible due to the function, an energy-reducing control of these components is recommended, e.g. via a PWM plug-in amplifier.

⁶⁾ With symbols A and B, port T must be used as leakage oil connection if the operating pressure exceeds the maximum admissible tank pressure.

⁷⁾ The cleanliness classes specified for the components must be adhered to in hydraulic systems. Effective filtration prevents faults and at the same time increases the life cycle of the components.

Technical data

(For applications outside these values, please consult us!)

Electrical										
Voltage type			Direct voltage		Alternating voltage 50/60 Hz					
Supply voltage	▶ Nominal value	V	see page 4 and 5		100	120	200	230	With rectifier or version "W...R" ⁸⁾	
	▶ Voltage tolerance (nominal value)	%	±10							
Nominal power according to VDE 0580		W	40 ⁹⁾		-			40		
Holding power		VA	-		90			-		
Switch-on power		VA	-		550			-		
Relative duty cycle time according to VDE 0580			S1 (continuous operation)							
Switching time ¹⁰⁾	▶ ON	- Pressure change 5%	ms	60 ... 104 ^{11; 12)}		17 ... 20		60 ... 104 ^{11; 12)}		
		- Pressure change 95%	ms	90 ... 165 ^{11; 12)}		48 ... 57		90 ... 165 ^{11; 12)}		
	▶ OFF	- Pressure change 5%	ms	12 ... 50		19 ... 26		230 ... 330		
		- Pressure change 95%	ms	48 ... 104		47 ... 77		250 ... 360		
Switching time according to ISO 6403 ¹³⁾	▶ ON		45 ... 60		13 ... 59		45 ... 60			
	▶ OFF		20 ... 30		22 ... 82		250 ... 360			
Maximum switching frequency		1/s	4.2		2			2		
Protection class according to VDE 0580			see page 4 ... 7							
Insulation class VDE 0580			F		H	F	H	H	F	
Electrical protection			Maximum admissible switch-off overvoltage see page 4 ... 7 Every AC solenoid must be protected individually, using a suitable fuse with tripping characteristics K (inductive loads).							
Protective grounding conductor and screening			The valve contact surface must be connected to the equipotential bonding. Connector pin assignment (CE-compliant installation) see page 29 and 30							

- ⁸⁾ For single connection (version "G...") with customer-side rectifier and version "W...R":
- ▶ Mating connectors with rectifier see page 31
 - ▶ Possible voltages see page 6 and 7
 - ▶ Rectifiers must comply with the relevant standards as well as the coil performance data.
 - ▶ With a central connection, the rectifier is on the board
- ⁹⁾ Reduction of the nominal power by approx. 40% if a 24 V-coil with plug-in switching amplifier type VT-SSBA1-PWM-1X/V002/5 is used (separate order, material no. **R901290194**, see page 31 and data sheet 30362)
- ¹⁰⁾ Measured with flow, 80% performance limit and horizontal installation position.
- ¹¹⁾ Not with symbols A, B and .73.
- ¹²⁾ Reduction of the switching time by approx. 50% if a 12 V-coil with plug-in switching amplifier type VT-SSBA1-PWM-1X/V001/5 is used (separate order, material no. **R901265633**, see page 31 and data sheet 30362)
- ¹³⁾ Measured without flow

 See notes page 14.

Technical data

(For applications outside these values, please consult us!)

Notice:

- ▶ Any simultaneous actuation of 2 solenoids of one valve must be ruled out.
- ▶ Due to possible overload of the board, valves with central connection must not be operated with twice the voltage.
- ▶ If the standard environmental conditions according to EN 60204-1 cannot be provided, the valve must be especially protected!

▶ Energy saving

If directional valves with a nominal voltage of 24 V are used, a switching amplifier will reduce the continuous current considerably.

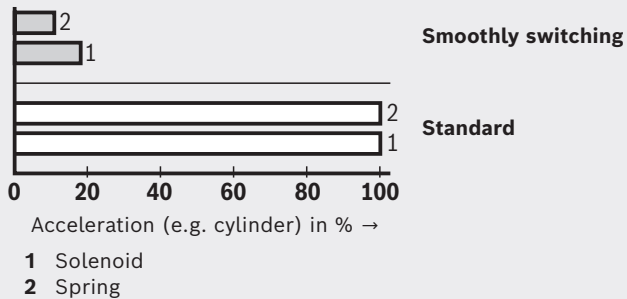
After a defined power supply time and the connected hydraulic switching of the valve, the system switches to pulse width modulation and the power is considerably reduced. This leads to a holding power under the power of a valve with 24 V supply voltage (see data sheet 30362).

▶ Fast switch-on

For accelerated switching on the solenoid side, valves with individual connection and a nominal voltage of 12 V or 24 V can be controlled with two times the voltage for a maximum of 100 ms (pulse width modulation see data sheet 30362). In this connection, the maximum admissible switching frequency is reduced to 3 1/s.

▶ Dampened switching

With valves of version "A12", damping of the switch-on and switch-off process is possible (smoothly switching). In this way, switching shocks in the system are considerably reduced.

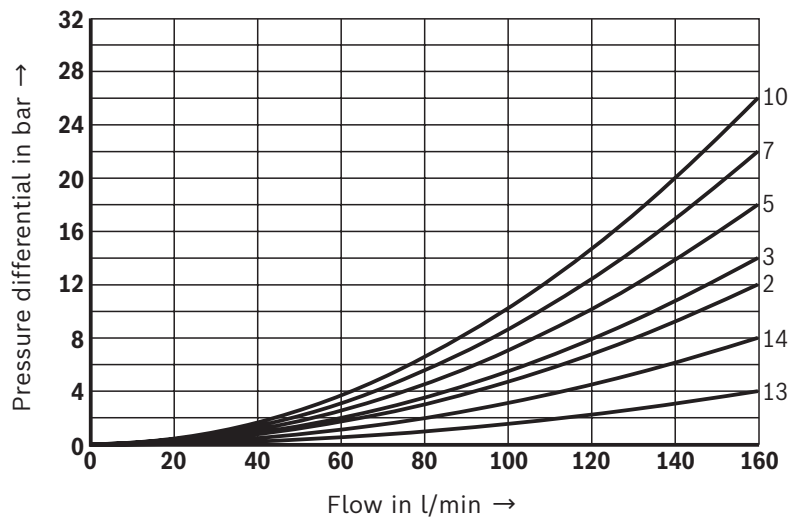
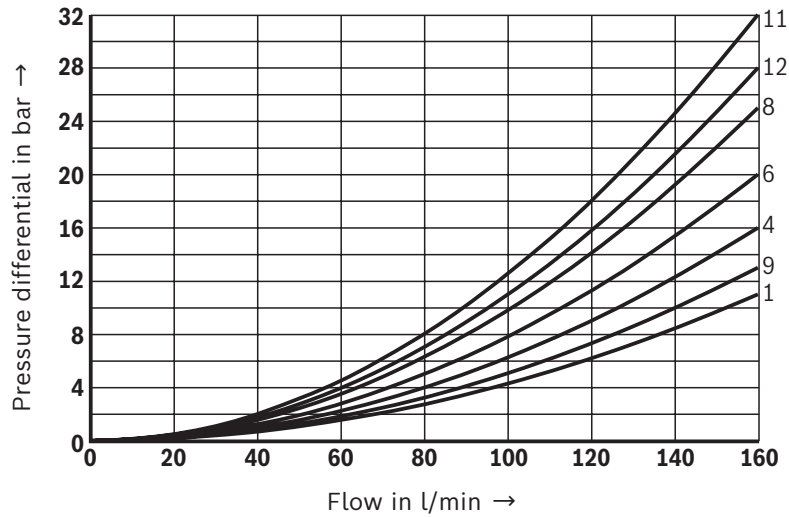


Electrical connections and available voltages see page 4 ... 7.

Characteristic curves

(measured with HLP46, $\vartheta_{oil} = 40 \pm 5 \text{ }^\circ\text{C}$)

Δp - q_V characteristic curves



Symbol	Direction of flow			
	P - A	P - B	A - T	B - T
A; B	5	5	-	-
C	1	2	4	5
D	2	2	4	5
E	3	9	5	7
E67	4	4	12	11
F	2	3	7	10
G	4	4	11	11
H	1	1	7	7
J	3	3	7	12
L	3	3	7	7
M	1	1	5	5
Q	9	3	4	6
R	4	7	4	11
U	3	3	5	12
V	3	3	4	7
W	9	3	4	5
X7	2	-	-	6
Y	3	9	4	7

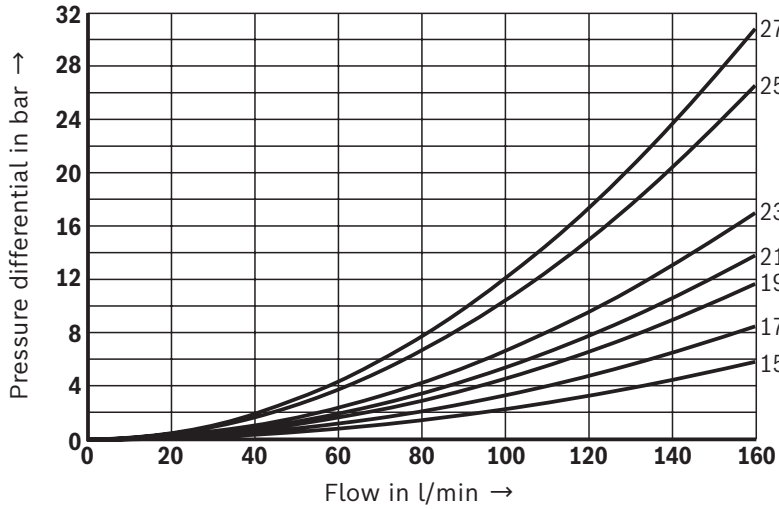
Central position:

Symbol	Direction of flow				
	P - A	P - B	B - T	A - T	P - T
H	13	13	14	14	2

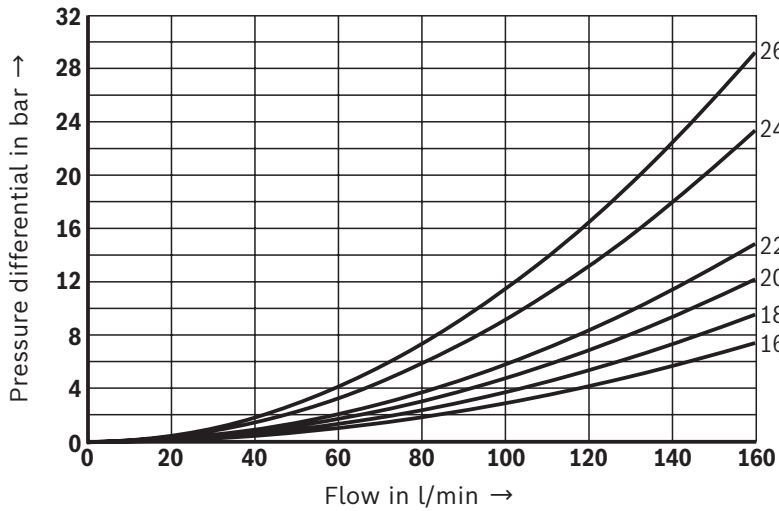
Characteristic curves

(measured with HLP46, $\vartheta_{oil} = 40 \pm 5 \text{ }^\circ\text{C}$)

Δp - q_v characteristic curves



Symbol	Direction of flow			
	P - A	P - B	A - T	B - T
A73; B73	21	21	-	-
D73	24	25	25	26
E73	16	17	19	19
G73	17	17	23	23
H73	15	15	18	19
J73	20	19	15	23
L73	20	21	22	23
Y73	25	25	25	27



Performance limits: Version "G..." and "W...R"
 (measured with HLP46, $\vartheta_{oil} = 40 \pm 5 \text{ } ^\circ\text{C}$)

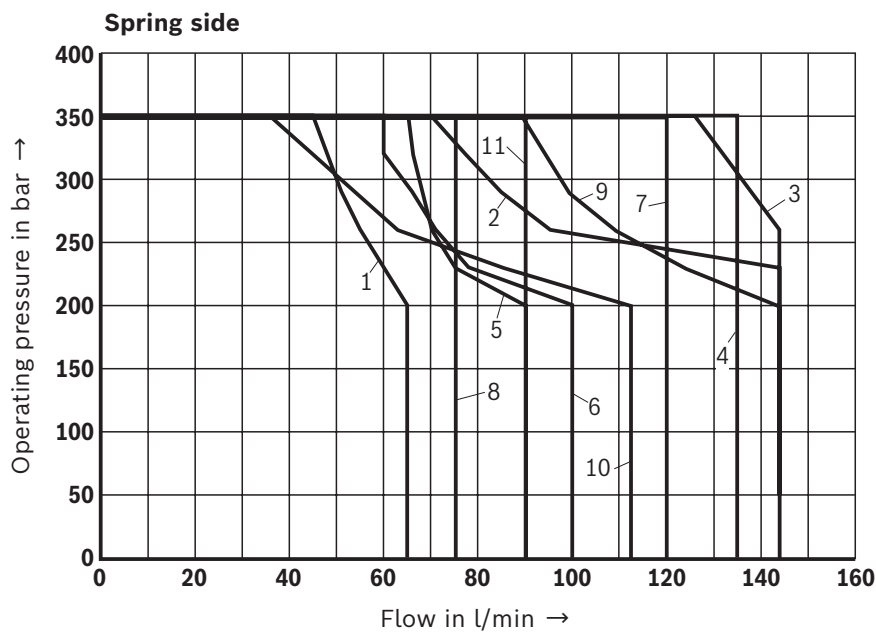
Notice:

The specified performance limits are valid for operation with two directions of flow (e.g. from P to A and simultaneous return flow from B to T). Due to the flow forces acting within the valves, the admissible performance limit may be considerably

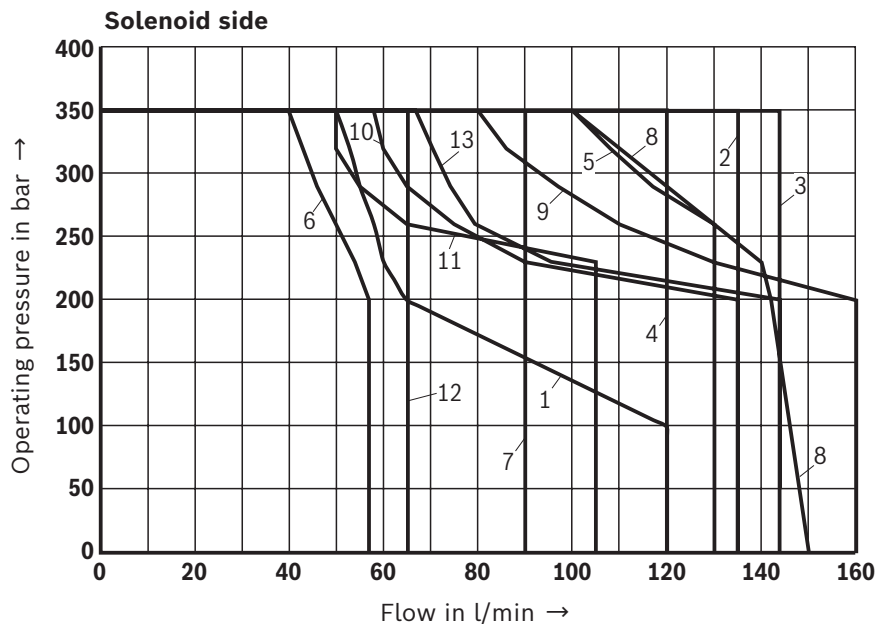
lower with only one direction of flow (e.g. from P to A while port B is blocked).

In such cases of use, please consult us.

The performance limits were determined when the solenoids were at operating temperature, at 10% undervoltage and without tank preloading.



Characteristic curve	Symbol
1	A73
2	A/OF
3	D73/OF
4	E73
5	F
6	G73
7	H
8	M
9	U
10	X7
11	Y



Characteristic curve	Symbol
1	A; B
2	C; D
3	C/OF; D/OF
4	H
5	E
6	E67
7	G
8	J
9	L
10	Q
11	R
12	V
13	W

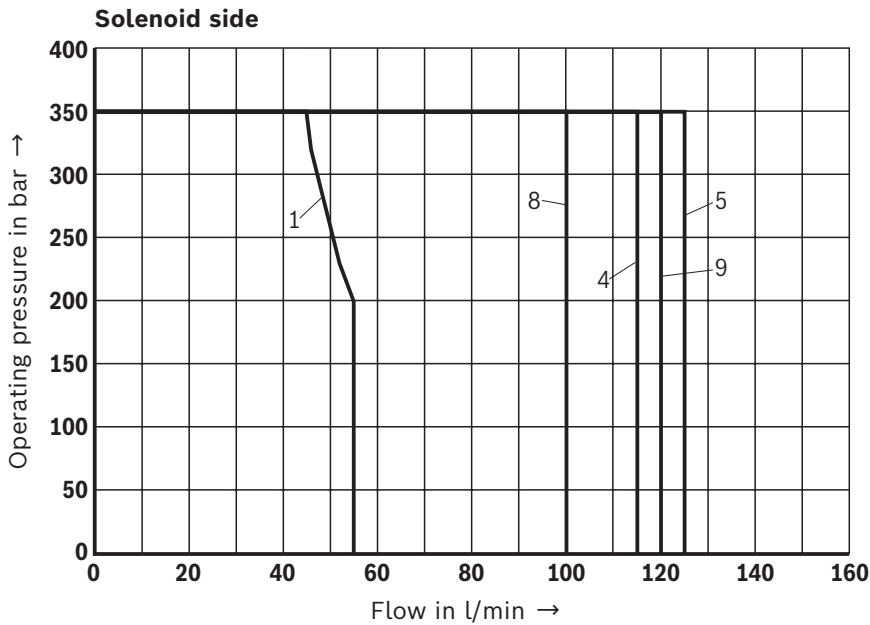
Performance limits: Version "G..." and "W...R"
(measured with HLP46, $\vartheta_{oil} = 40 \pm 5 \text{ } ^\circ\text{C}$)

Notice:

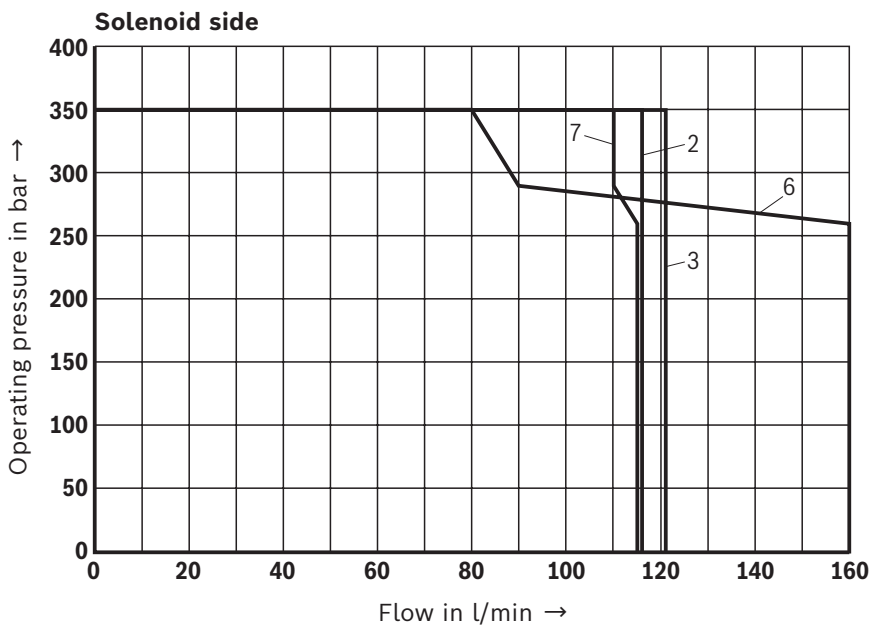
The specified performance limits are valid for operation with two directions of flow (e.g. from P to A and simultaneous return flow from B to T). Due to the flow forces acting within the valves, the admissible performance limit may be

considerably lower with only one direction of flow (e.g. from P to A while port B is blocked). In such cases of use, please consult us.

The performance limits were determined when the solenoids were at operating temperature, at 10% undervoltage and without tank preloading.



Characteristic curve	Symbol
1	B73
4	E73...A12
5	H73...A12
8	L73
9	Y73



Characteristic curve	Symbol
2	D73
3	D73...A12
6	J73
7	J73...A12

Performance limits: Version "W120"
 (measured with HLP46, $\vartheta_{oil} = 40 \pm 5 \text{ } ^\circ\text{C}$)

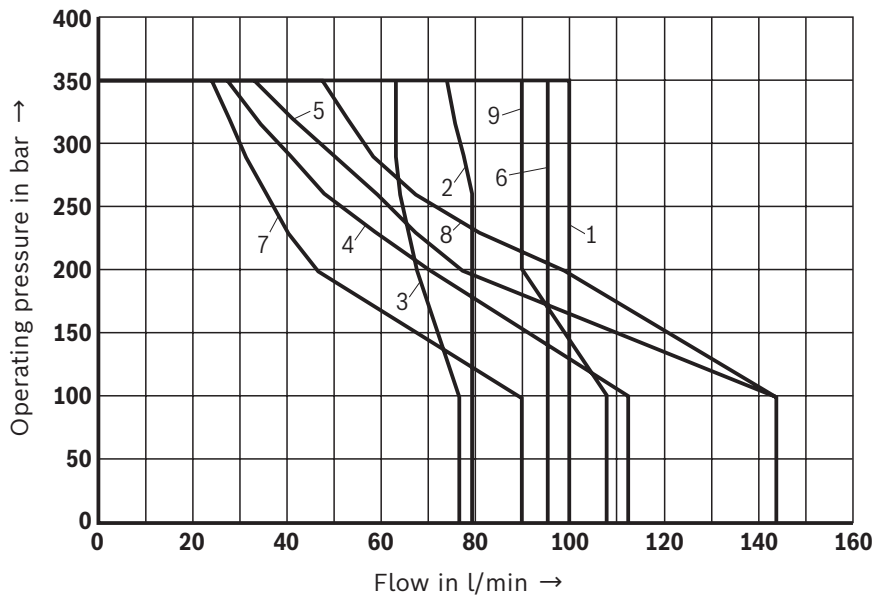
Notice:

The specified performance limits are valid for operation with two directions of flow (e.g. from P to A and simultaneous return flow from B to T). Due to the flow forces acting within the valves, the admissible performance limit may be considerably

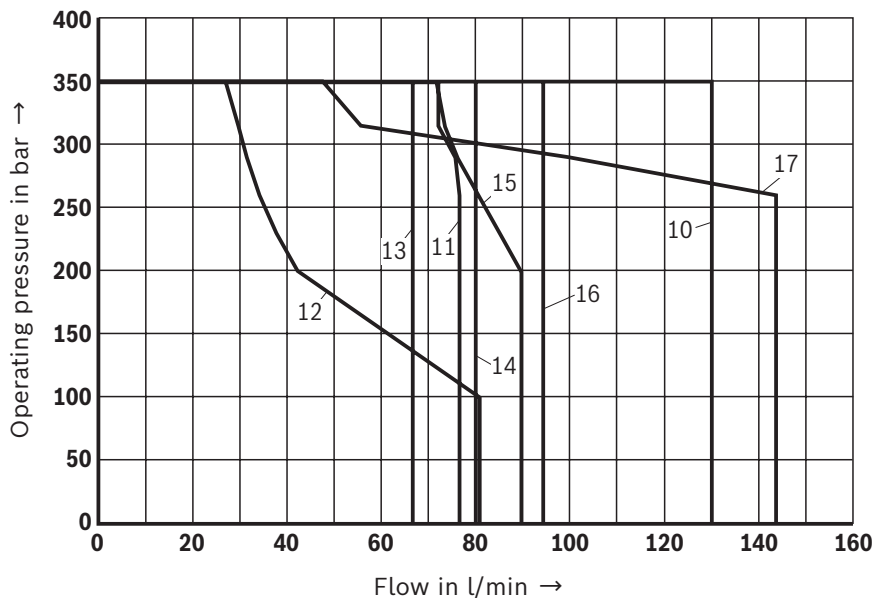
lower with only one direction of flow (e.g. from P to A while port B is blocked).

In such cases of use, please consult us.

The performance limits were determined when the solenoids were at operating temperature, at 10% undervoltage and without tank preloading.



Characteristic curve	Symbol
1	D
2	E
3	G
4	J
5	A
6	C
7	L
8	Y



Characteristic curve	Symbol
10	EA
11	EB
12	F
13	HA
14	H73
15	M
16	Q
17	R

Performance limits: Version "W120"
(measured with HLP46, $\vartheta_{oil} = 40 \pm 5 \text{ }^\circ\text{C}$)

Notice:

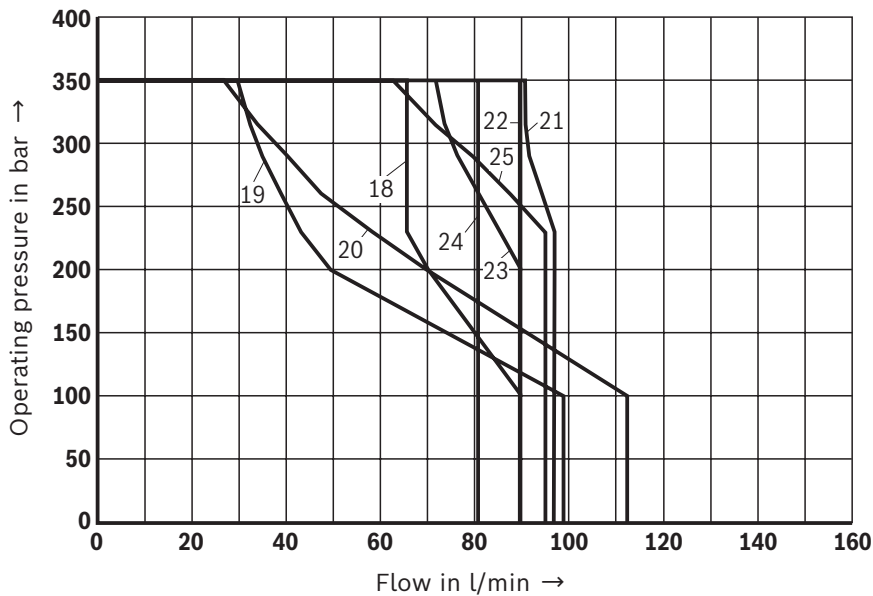
The specified performance limits are valid for operation with two directions of flow (e.g. from P to A and simultaneous return flow from B to T).

Due to the flow forces acting within the valves, the admissible performance limit may be considerably

lower with only one direction of flow (e.g. from P to A while port B is blocked).

In such cases of use, please consult us.

The performance limits were determined when the solenoids were at operating temperature, at 10% undervoltage and without tank preloading.



Characteristic curve	Symbol
18	GA
19	G73
20	YES
21	JB
22	LB
23	MA; MB
24	U
25	W

Performance limits: Version "W100", "W200", "W230"
 (measured with HLP46, $\vartheta_{oil} = 40 \pm 5 \text{ } ^\circ\text{C}$)

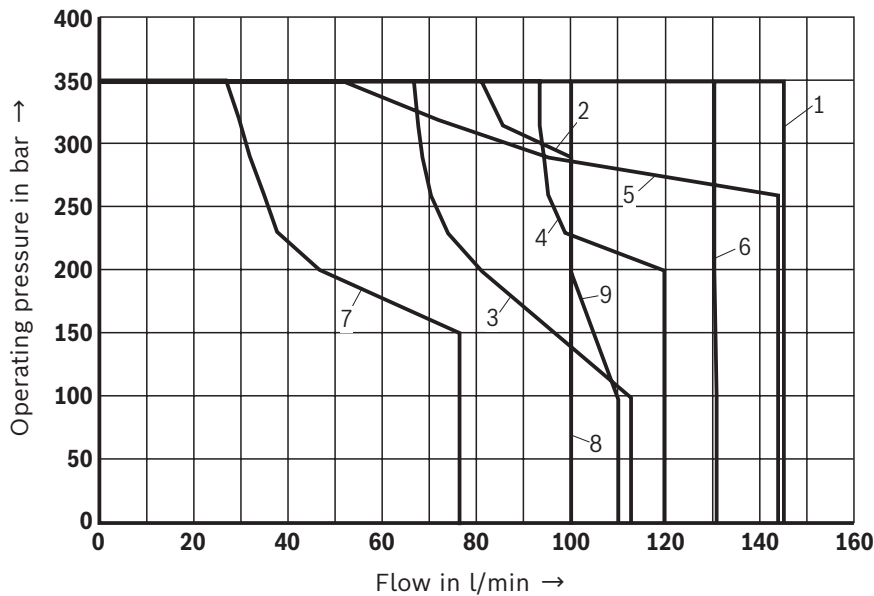
Notice:

The specified performance limits are valid for operation with two directions of flow (e.g. from P to A and simultaneous return flow from B to T). Due to the flow forces acting within the valves, the admissible performance limit may be considerably

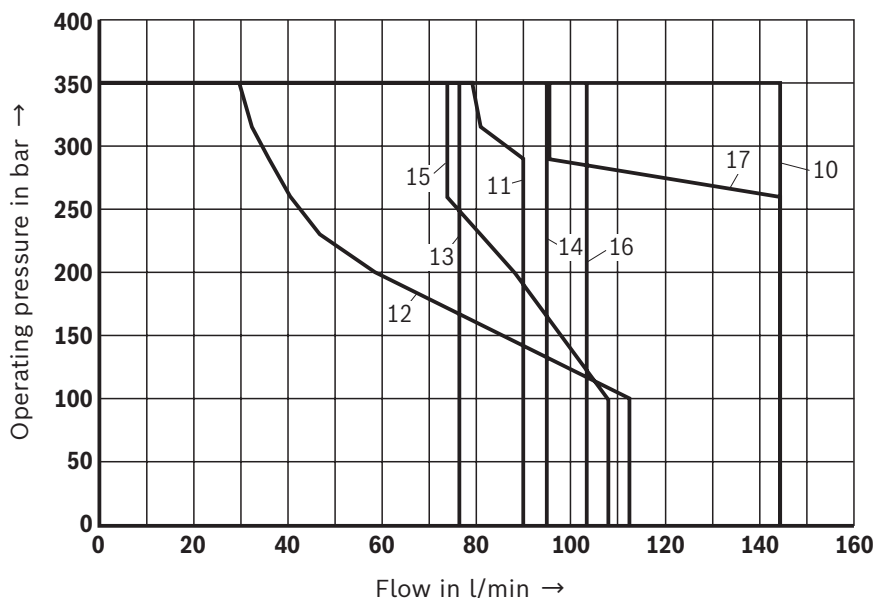
lower with only one direction of flow (e.g. from P to A while port B is blocked).

In such cases of use, please consult us.

The performance limits were determined when the solenoids were at operating temperature, at 10% undervoltage and without tank preloading.




Characteristic curve	Symbol
1	D
2	E
3	G
4	J
5	A
6	C
7	L
8	Y



Characteristic curve	Symbol
10	EA
11	EB
12	F
13	HA
14	H73
15	M
16	Q
17	R

Performance limits: Version "W100", "W200", "W230"
(measured with HLP46, $\vartheta_{oil} = 40 \pm 5 \text{ } ^\circ\text{C}$)

 **Notice:**

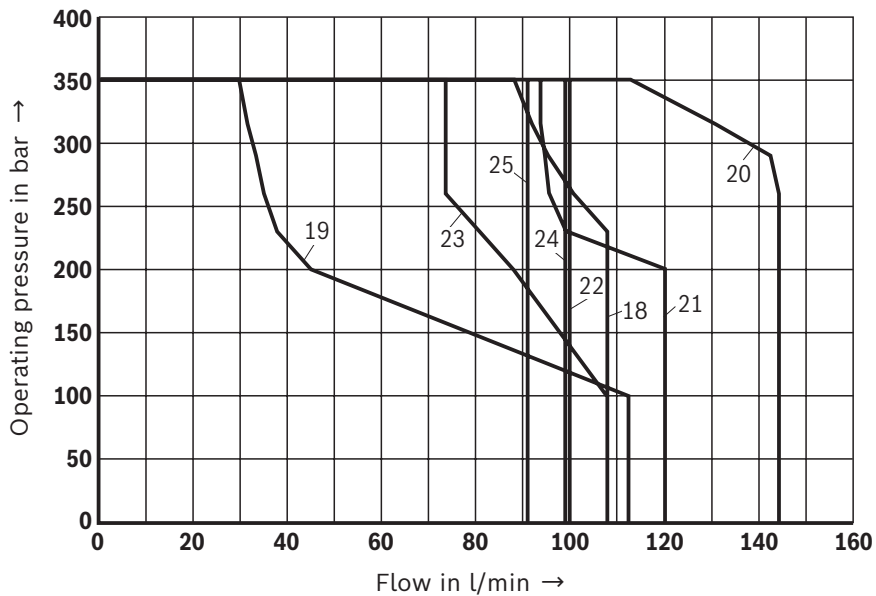
The specified performance limits are valid for operation with two directions of flow (e.g. from P to A and simultaneous return flow from B to T).

Due to the flow forces acting within the valves, the admissible performance limit may be considerably

lower with only one direction of flow (e.g. from P to A while port B is blocked).

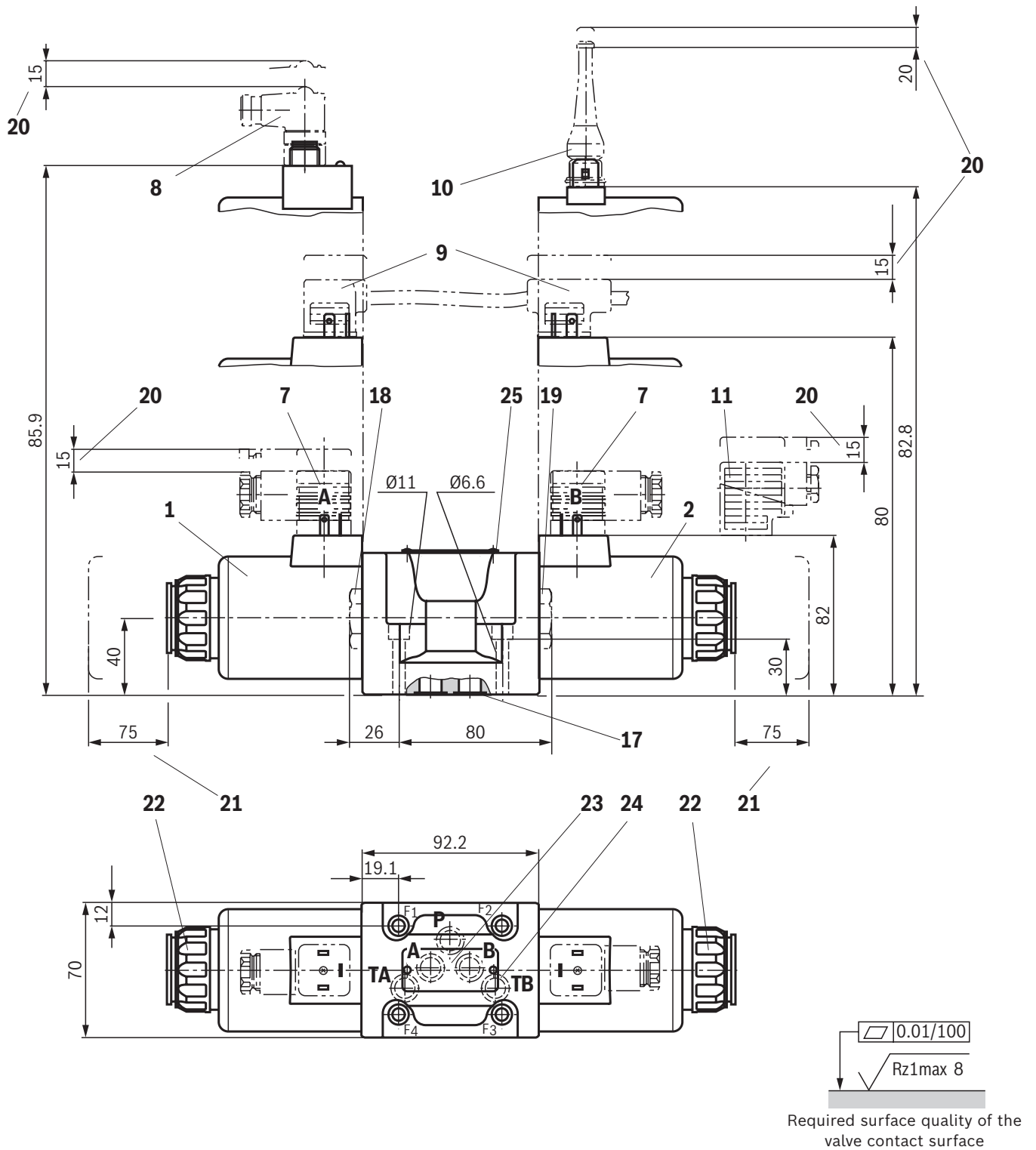
In such cases of use, please consult us.

The performance limits were determined when the solenoids were at operating temperature, at 10% undervoltage and without tank preloading.



Characteristic curve	Symbol
18	GA
19	G73
20	YES
21	JB
22	LB
23	MA, MB
24	U
25	W

Dimensions: DC voltage – individual connection
(dimensions in mm)



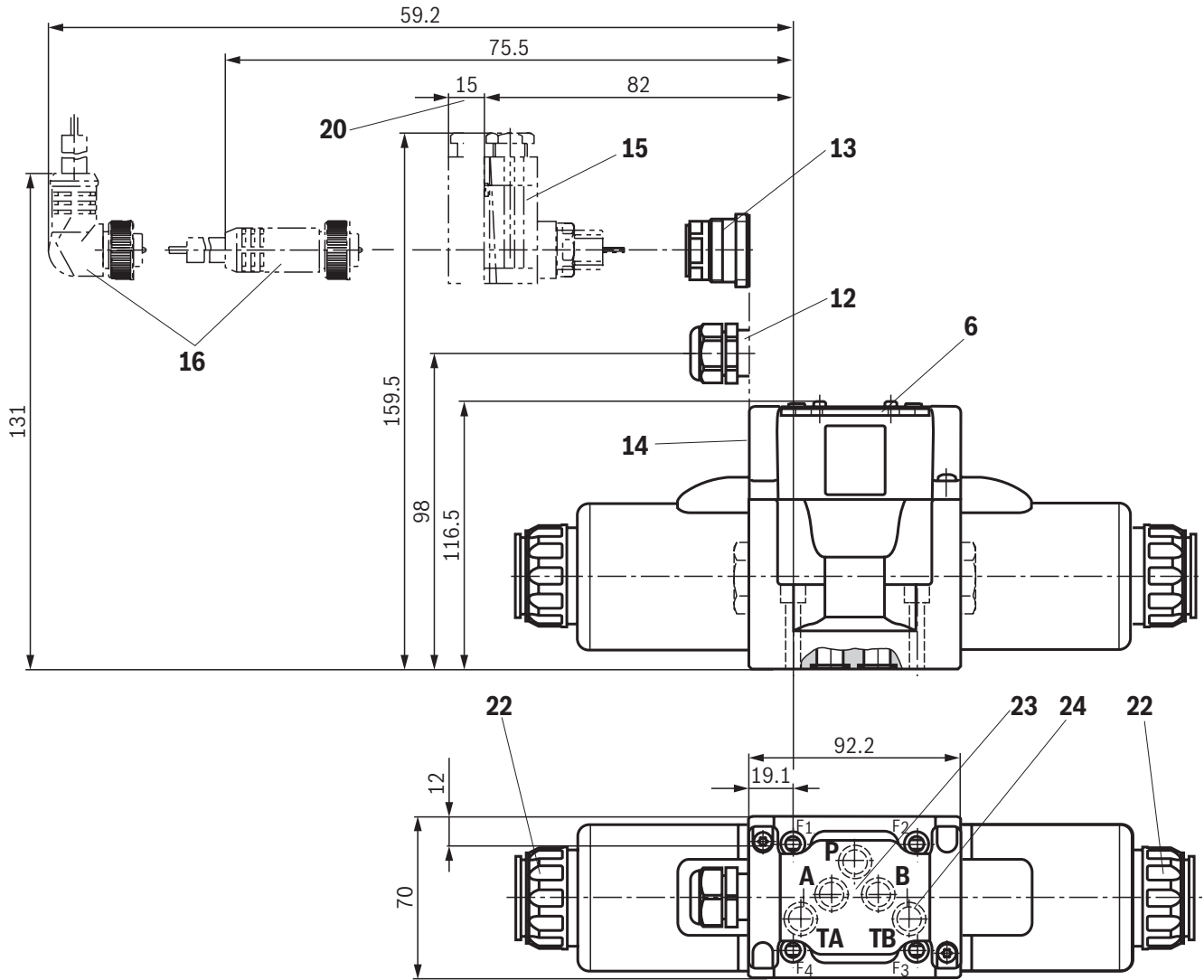
Notice:

- ▶ Deviating from ISO 4401, port T is called TA and port T1 is called TB in this data sheet.
- ▶ The dimensions are nominal dimensions which are subject to tolerances.

Dimensions for total length and manual overrides
see page 25.

Item explanations, valve mounting screws and subplates
see page 28.

Dimensions: Direct voltage – central connection
(dimensions in mm)

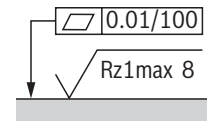


Dimensions for total length and manual overrides

see page 25.

Item explanations, valve mounting screws and subplates

see page 28.

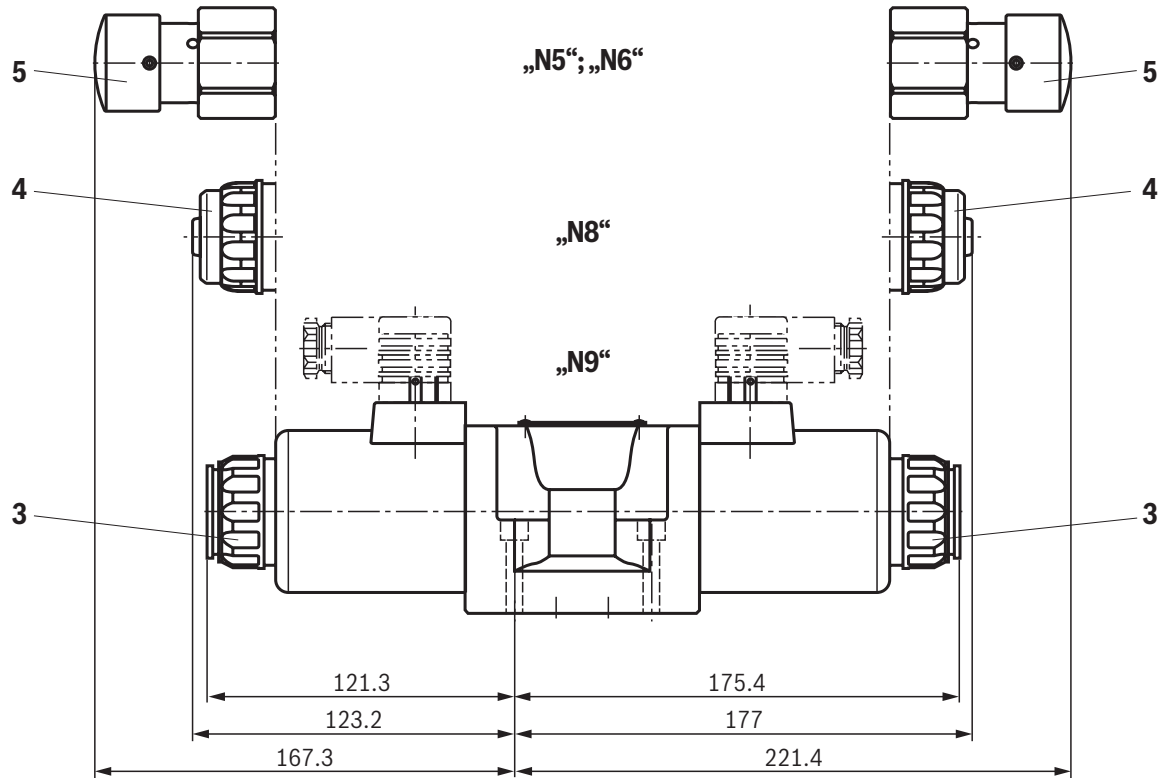


Required surface quality of the valve contact surface

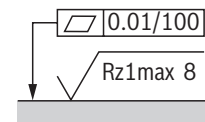
Notice:

The dimensions are nominal dimensions which are subject to tolerances.

Dimensions: DC voltage – manual overrides
(dimensions in mm)



- 3 Without and with concealed manual override "N9" (standard)
- 4 With concealed manual override and protective cap "N8".
(The protective cap must be removed prior to actuation.)
- 5 Lockable manual override "mushroom button" "N5" and "N6"

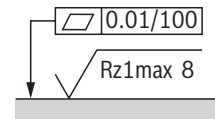
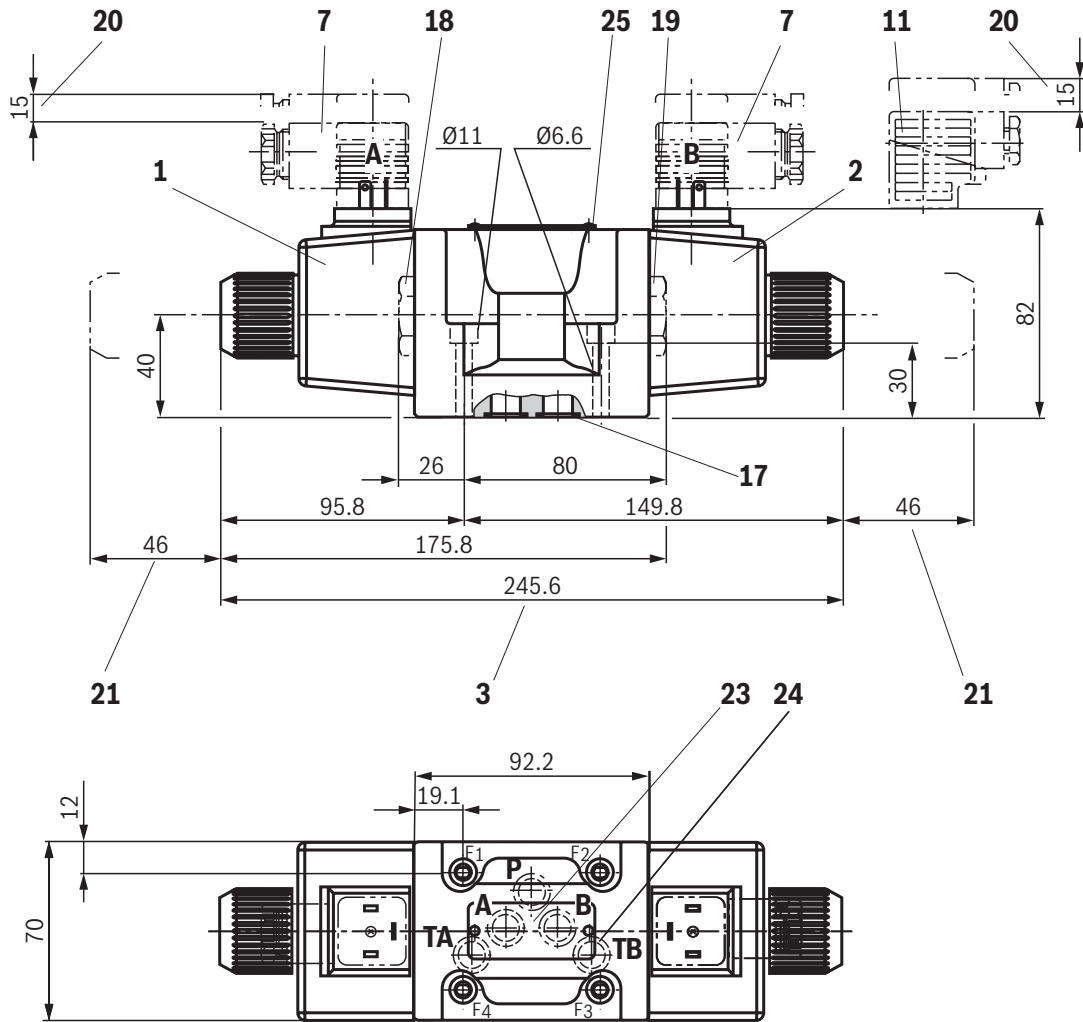


Required surface quality of the valve contact surface

Notice:

The dimensions are nominal dimensions which are subject to tolerances.

Dimensions: Alternating voltage – individual connection
(dimensions in mm)



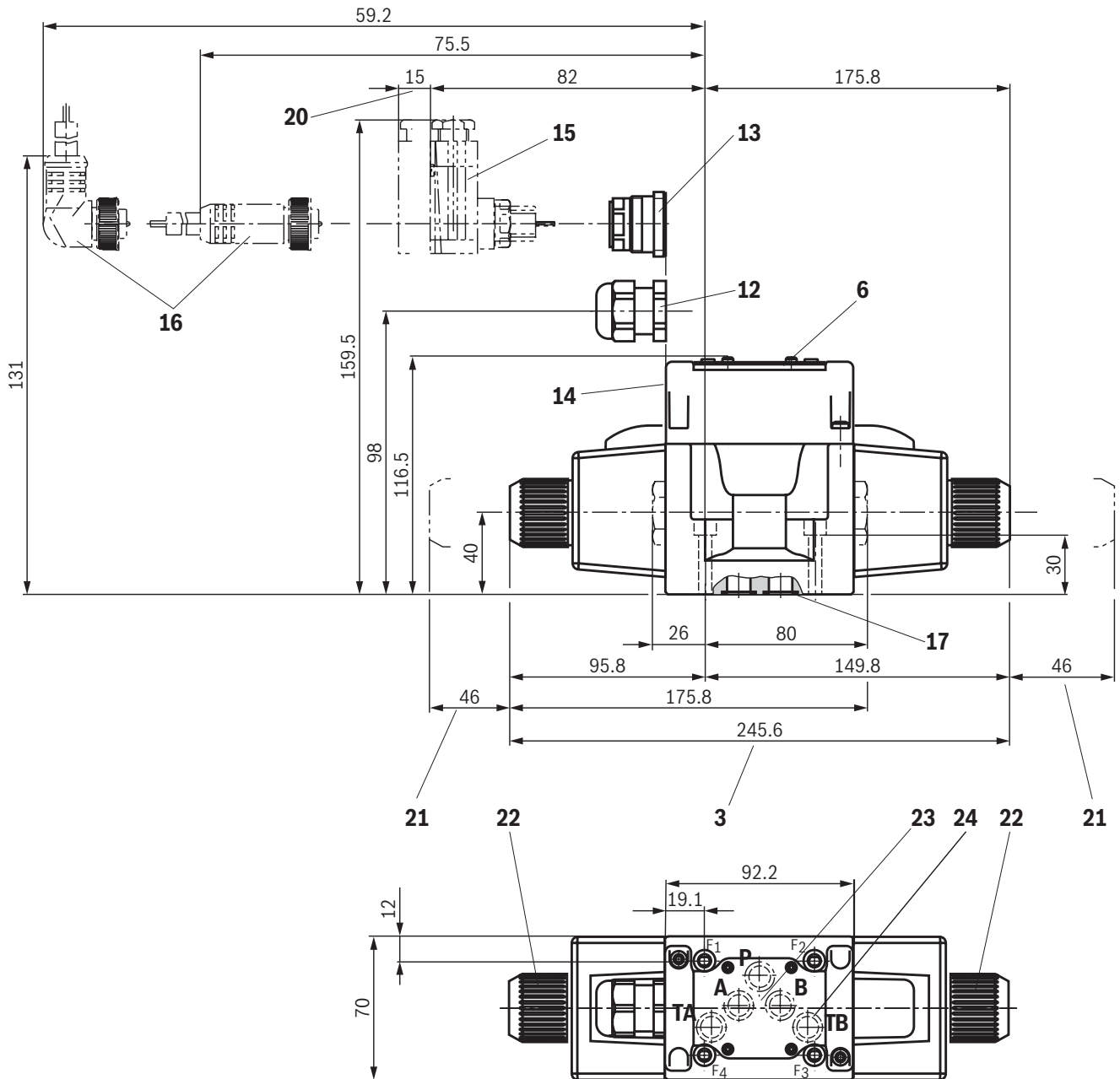
Required surface quality of the valve contact surface

Notice:

- ▶ Deviating from ISO 4401, port T is called TA and port T1 is called TB in this data sheet.
- ▶ The dimensions are nominal dimensions which are subject to tolerances.

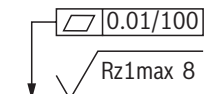
Item explanations, valve mounting screws and subplates
see page 28.

Dimensions: Alternating voltage – central connection
(dimensions in mm)



Item explanations, valve mounting screws and subplates

see page 28.



Required surface quality of the valve contact surface

Notice:

The dimensions are nominal dimensions which are subject to tolerances.

Dimensions

- 1 Solenoid "a"
- 2 Solenoid "b"
- 3 **Without** and **with concealed** manual override "N9" (standard)
- 4 With concealed manual override and protective cap "N8". (The protective cap must be removed prior to actuation.)
- 5 Lockable manual override "mushroom button" "N5" and "N6"
- 6 Cover
Notice: The valve may only be operated with properly mounted cover.
- 7 Mating connector **without** circuitry for connector "K4" and "K4K" (separate order, see page 31 and data sheet 08006)
- 8 Mating connector angled with M12x1 plug-in connection and status LED for connector "K72L" (separate order, see page 31 and data sheet 08006)
- 9 Double mating connector **without/with** circuitry for connector "K4" (separate order, see page 31 and data sheet 08006)
- 10 Mating connector (AMP Junior Timer) with connector "C4Z" (separate order, see page 31 and data sheet 08006)
- 11 Mating connector **with** circuitry for connector "K4" (separate order, see page 31 and data sheet 08006)
- 12 "DL" and "DJL" cable gland
- 13 Central plug-in connection "DK6L" and "DK25L"
- 14 "DAL" cable gland
- 15 Mating connectors for valves with central connection with connector "DK6L" (separate order, see page 31 and data sheet 08006)
- 16 Mini-change connector, 5-pole for connector "DK25L" (separate order, material no. **R900057631**)
- 17 Identical seal rings for ports A, B, P, TA, TB
- 18 Plug screw for valves with one solenoid on B side
- 19 Plug screw for valves with one solenoid on A side
- 20 Space required to remove the mating connector/angled socket
- 21 Space required to remove the coil
- 22 Mounting nut, tightening torque $M_A = 14.5 \pm 1.5$ Nm
- 23 Porting pattern according to ISO 4401-05-04-0-05
- 24 Connection TB can only be used in connection with separately produced tank bore in the block.
- 25 Nameplate

Subplates (separate order) with porting pattern according to ISO 4401-05-04-0-05 see data sheet 45100.

Valve mounting screws (separate order)

Size	Quantity	Hexagon socket head cap screws	Material number
10	4	ISO 4762 - M6 x 40 - 10.9-CM-Fe-ZnNi-5-Cn-T0-H-B Friction coefficient $\mu_{\text{total}} = 0.09 \dots 0.14$; tightening torque $M_A = 12.5 \text{ Nm} \pm 10\%$	R913051533
	or		
	4	ISO 4762 - M6 x 40 - 10.9 Friction coefficient $\mu_{\text{total}} = 0.12 \dots 0.17$; tightening torque $M_A = 15.5 \text{ Nm} \pm 10\%$	Not included in the Rexroth delivery range
	or		
	4	1/4-20 UNC x 1-1/2" ASTM-A574 Friction coefficient $\mu_{\text{total}} = 0.12 \dots 0.17$; tightening torque $M_A = 19 \text{ Nm} \pm 10\%$	R978800710

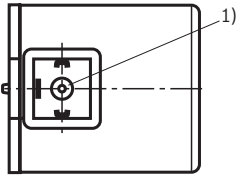
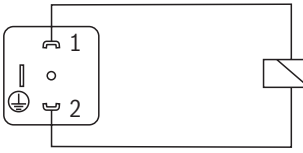
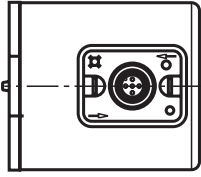
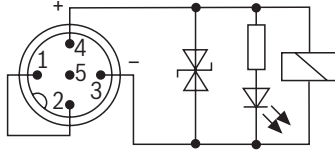
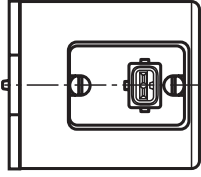
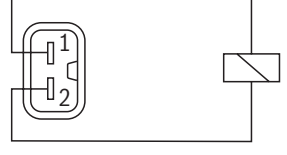


Notice:

In case of different friction coefficients, the tightening torques are to be adjusted accordingly.

Electrical connections, assignment – individual connection

Electrical connections and coil connection combinations

Ordering code connector	Top view	Circuit diagram	Pin	Connections, assignment
Connector, 3-pole (2+PE) according to DIN EN 175301-803 (IP65)			1	Solenoid coil, polarity-independent
			2	Connection for protective grounding conductor
Connector 4-pole according to IEC 60947-5-2, M12x1 with suppressor diode, only 24 V DC, integrated interference protection circuit and status LED			1	Internal bridge
			2	
			3	Solenoid coil GND
			4	Solenoid coil 24 V DC supply voltage
			5	without function
2-pole connector, type AMP Junior-Timer, rotated by 90° relative to valve axis			1	Solenoid coil, polarity-independent
			2	

3) Coil with potted-in connector base and sealing element to valve housing (IP65)

4) M3, tightening torque maximum $M_{A \max} = 0.5 \text{ Nm}$

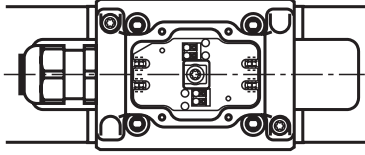
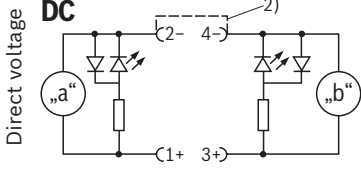
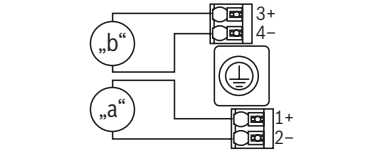
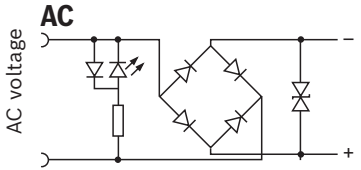
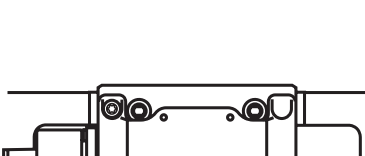
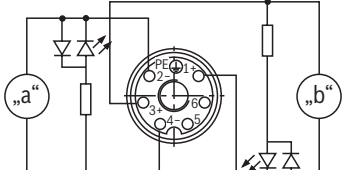
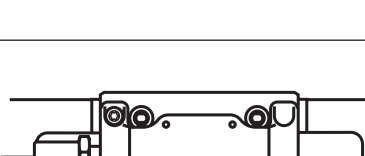
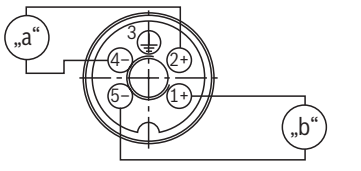

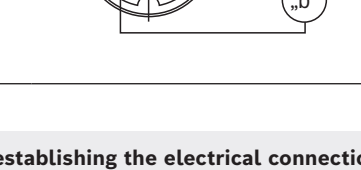
When establishing the electrical connection, the protective grounding conductor (PE \oplus) must be connected correctly.

Notice:

- ▶ Electric lines must be routed in a strain-relieved manner.
- ▶ Cable and line entries are only suitable for permanently installed lines.
- ▶ Connectors are to be locked during operation. The plug-in connection is not suitable to be plugged in or disconnected under load.
- ▶ Protective grounding conductor cross-section equal to or greater than the line cross-section of the voltage supply.
- ▶ The valve mounting surface must be connected to the protective grounding conductor system.

Electrical connections, assignment – central connection

Electrical connections and coil connection combinations

Ordering code connector	Top view	Circuit diagram	Pin	Connections, assignment
Cable gland at the cover, with indicator light (terminal area 6 ... 12 mm)	DL 	DC Direct voltage 	1+ 2-	Valve solenoid "a" ¹⁾
Cable gland at the cover, with indicator light and cable bridge at the ground connection (terminal area 6 ... 12 mm)	DJL 	AC AC voltage 	3+ 4-	Valve solenoid "b" ¹⁾
Without mating connector; threaded connection 1/2"-14 NPT, with indicator light	DAL ³⁾ 		⊕	Connection for protective grounding conductor
Central plug-in connection at the cover, with indicator light (without mating connector) with connector according to DIN EN 175201-804	DK6L 		1 2 3 4 5 6 ⊕	1 Valve solenoid "a" 2 Valve solenoid "b" 3 Valve solenoid "b" 4 Valve solenoid "b" 5 not used 6 not used ⊕ Connection for protective grounding conductor
Mini-change connector, 5-pole, with indicator light according to ANSI/B93.55M-1981	DK25L 		1 5 2 4 ⊕	1 Valve solenoid "b" 5 Valve solenoid "b" 2 Valve solenoid "a" 4 Valve solenoid "a" ⊕ Connection for protective grounding conductor

1) Core marking:

- + → red
- → blue

2) Wire bridge with version "DJL"

3) Cable gland according to conduit system with NPT thread; tightening torque $M_A = 5 \pm 0.5$ Nm

When establishing the electrical connection, the protective grounding conductor (PE ⊕) must be connected correctly.

 See notes page 29.

Accessories (separate order)**Mating connectors and cable sets**

Pos. ¹⁾	Designation	Version	Short designation	Material number	Data sheet
7, 11	Mating connector; for valves with "K4" connector, 2-pole + PE, design A	Without circuitry, M16 x 1.5, 12 ... 240 V, "a"	Z4	R901017010	08006
		Without circuitry, M16 x 1.5, 12 ... 240 V, "b"		R901017011	
		Without circuitry, NPT 1/2", 12 ... 240 V, "a"	Z45	R900004823	
		Without circuitry, NPT 1/2", 12 ... 240 V, "b"		R900011039	
		With indicator light, M16 x 1.5, 12 ... 240 V	Z5L	R901017022	
		With indicator light, NPT 1/2", 12 ... 240 V	Z55L	R900057453	
		With rectifier, M16 x 1.5, 80 ... 240 V	RZ5	R901017025	
		With rectifier, NPT 1/2", 80 ... 240 V	RZ55	R900842566	
		With indicator light and Z-diode-suppressor, M16 x 1.5, 24 V	Z5L1	R901017026	
		With indicator light and rectifier, M16 x 1.5, 80 ... 240 V	RZ5L	R901017029	
		With indicator light and rectifier, NPT 1/2", 80 ... 240 V	RZ55L	R900057455	
10	Mating connectors; for directional valves with "C4" connector (AMP Junior-Timer)	10 ... 32 V, 5 A	2P JUNIOR D2 2	R901022127	
		10 ... 32 V, 5 A	2P D1.2 JUNIOR	R900313533	
8	Mating connectors; for sensors and valves with "K24", "K35" and "K72" connectors, 4-pole	M12 x 1, angled, PG 7	4PZ24	R900779509	
		M12 x 1, angled, PG 7		R900082899	
9	Cable sets; for valves with two solenoids (double mating connectors) and connector "M12 x 1"	24 V, 4 A	Z60	R901207825	
		With indicator light, 24 V, 4 A	Z60L	R901207824	
		With indicator light and Z-diode-suppressor, 24 V, 4 A	Z60L8	R901207823	
		With free line end, 230 V, 4 A, 3 m	Z61	R901207826	
		With free line end, 230 V, 4 A, 5 m		R901207892	
15	Mating connectors; for valves with central connection with "DK6L" connector	250 V, 10 A, PG 11	7PZ6	R900002803	

1) See dimensions page 23 ... 26.

Energy savings and fast switching ²⁾

Designation	Version	Material number	Data sheet
Type VT-SSBA1-PWM-1X/V001/5	As fast switching amplifier (switching time reduction by approx. 50%) ³⁾	R901265633	30362
Type VT-SSBA1-PWM-1X/V002/5	For energy reduction (energy savings of approx. 40%) ⁴⁾	R901290194	

²⁾ Only with symbols C, D, E, E67, J, J2 and Y; not for version "D" with reinforced compression spring

³⁾ Only for version "G12" and "K4/K4K"

⁴⁾ Only for version "G24" and "K4/K4K"

Use with PWM connector (data sheet 30362):

► Depending on the control spool, increasing the performance limit is possible.

► With version "G24" (energy saving), the coil temperature is reduced by ≥ 30 °C for 100% duty cycle.

Project planning information

Temperature range and maximum operating pressure in case of use at low temperatures

Port	Pressure	Temperature range in °C
P, A, B, T	static 100 bar	-40 ... -35
P, A, B	dynamically increasing from 100 bar to 350 bar in linear form as a function of the temperature	-35 ... -30
T	dynamically increasing from 100 bar to 210 bar in linear form as a function of the temperature	-35 ... -30
P, A, B, T	Maximum operating pressure	-30 ... +50

Further information

- ▶ Hydraulic valves for industrial applications Data sheet 07600-B
- ▶ Subplates Data sheet 45100
- ▶ Hydraulic fluids on mineral oil basis Data sheet 90220
- ▶ Environmentally compatible hydraulic fluids Data sheet 90221
- ▶ Flame-resistant, water-free hydraulic fluids Data sheet 90222
- ▶ Flame-resistant hydraulic fluids – containing water (HFAE, HFAS, HFB, HFC) Data sheet 90223
- ▶ Connector switching amplifier type VT-SSBA1 Data sheet 30362
- ▶ Directional spool and seat valves with electrical actuation and M12x1 plug-in connection Data sheet 08010
- ▶ Reliability characteristics according to EN ISO 13849 Data sheet 08012
- ▶ CE declaration of conformity according to Low-Voltage Directive 2014/35/EU upon request
- ▶ Information on available spare parts www.boschrexroth.com/spc

Bosch Rexroth AG
 Industrial Hydraulics
 Zum Eisengießer 1
 97816 Lohr am Main, Germany
 Phone +49 (0) 93 52/40 30 20
my.support@boschrexroth.de
www.boschrexroth.de

© All rights reserved to Bosch Rexroth AG, also regarding any disposal, exploitation, reproduction, editing, distribution, as well as in the event of applications for industrial property rights.
 The data specified above only serve to describe the product. No statements concerning a certain condition or suitability for a certain application can be derived from our information. The information given does not release the user from the obligation of own judgment and verification.
 It must be remembered that our products are subject to a natural process of wear and aging.