

## Shut-off valve for pressure measuring instruments Model 910.11, brass, steel or stainless steel

WIKA data sheet AC 09.02

### Applications

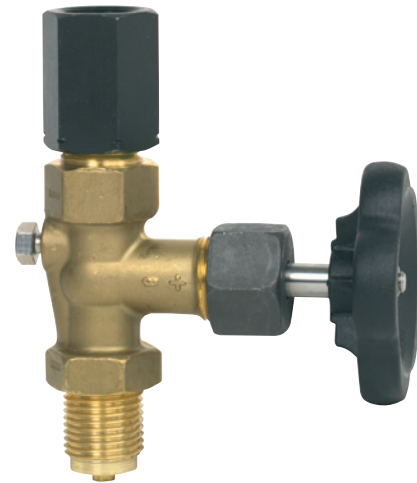
- Shut-off and throttle valve for pressure measuring instruments, for measuring liquids, gases and vapours
- In stainless steel version for aggressive media, also in aggressive environments
- Process industry: Machine building, general plant construction, chemical/petrochemical, power plants, mining, on- and offshore and environmental technology

### Special features

- Shut-off valve without test connection per DIN 16270 (with vent screw)
- Shut-off valve with test connection per DIN 16271 (with vent screw)
- Shut-off valve with separate isolating test connection per DIN 16272
- Nominal pressures to 400 bar

### Description

Form A version of the shut-off valves is supplied with LH/RH union, and Form B version with shaft for the mounting bracket, with nipple and union nut. Shut-off valves with a test connection are intended for the simultaneous connection of operating pressure measuring instruments and test connection pressure gauges to the pressure pipeline. With shut-off valves per DIN 16271, the test pivot is sealed by a lens-type sealing ring and a screw cap placed on top; with valves per DIN 16272, the test pivot is separately isolated by an additional valve spindle. Shut-off valves are silicone-free.



Shut-off valve per DIN 16270,  
LH-RH adjusting nut / male G ½, PN 250



Shut-off valve with separately isolated test  
connection per DIN 16272, LH/RH union/male G ½,  
with test pivot M20 x 1.5, PN 400

## Standard version

### Pressure connection

G ½, test connection M20 x 1.5

### Valve body

Brass: PN 250, temperature range -10 up to +120 °C

Carbon steel: PN 400, temperature range -10 up to +120 °C

Stainless steel: PN 400, temperature range -20 up to +200 °C

### Needle and seating

Corrosion and acid resistant stainless steel

### Packing

PTFE

### Hand wheel

Heat-resistant plastic

### Nominal pressures

See table below

## Options

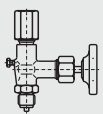
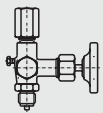
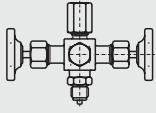
- Free from oil and grease
- Acceptance test certificate per DIN 50049 / EN 10204 3.1
- DVGW version, PN 100, DIN 16270
- Connection M20 x 1.5, ½ NPT
- With bellows sealing up to PN 100
- Design per NACE

## Versions for oxygen use

- With PN 100 bar to max. 60 °C
- With PN 160 bar to max. 60 °C
- With PN 250 bar to max. 60 °C
- With PN 230 bar to max. 200 °C (graphite packing)


With steel or stainless steel valve body

- With special packing (pure graphite) up to 250 °C
- Up to PN 640 bar

Design	Connection	PN in bar	Material	Order no.	
				Form A	Form B
<b>DIN 16270</b> 	G ½	250	Ms	9090169	9095098
	G ½	400	St	9090177	9095101
	G ½	400	1.4571	9090967	9095110
<b>DIN 16271</b>  Test connection M20 x 1.5	G ½	250	Ms	9090975	9095128
	G ½	400	St	9090983	9095136
	G ½	400	1.4571	9091157	9095144
<b>DIN 16272</b>  Test connection M20 x 1.5	G ½	250	Ms	9090991	9095152
	G ½	400	St	9091009	9095160
	G ½	400	1.4571	9091017	9095179

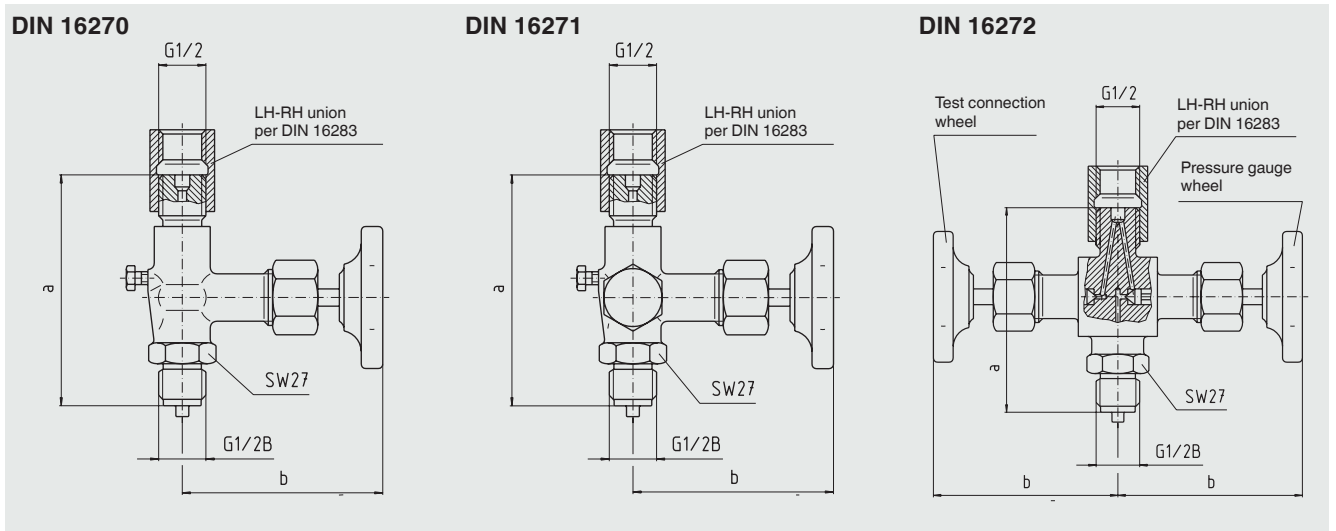
## Adapter piece for valves with test connection

A suitable adapter piece is available for valves with test connection (test female G ½ / female M20 x 1.5).

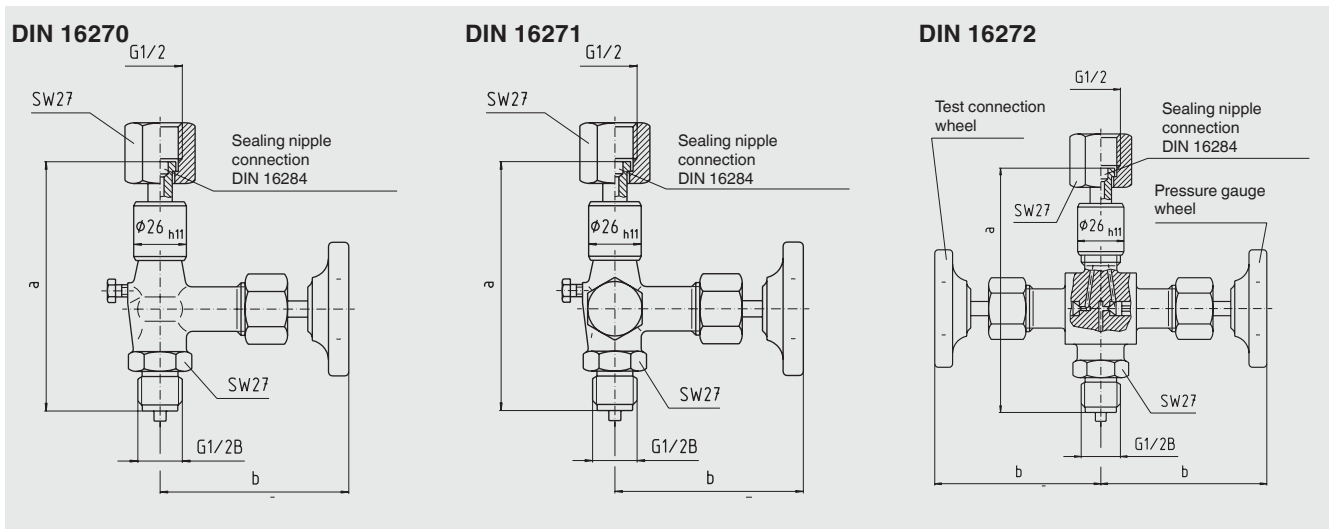
Design	Material	Order no.
<b>Adapter piece</b> 	Ms	9091700
Test female G ½ / female M20 x 1.5	1.4571	9091726

# Dimensions in mm

## Form A, LH/RH union / male



## Form B, nipple and union nut / male, with shaft for mounting bracket



Design	Dimensions in mm		Weight in kg		
	a	b ±5	Ms	St	1.4571
<b>DIN 16270</b>					
Form A	100 ±1	85	0.54	0.52	0.52
Form B	120 ±5	85	0.61	0.56	0.56
<b>DIN 16271</b>					
Form A	100 ±1	85	0.67	0.65	0.65
Form B	120 ±5	85	0.79	0.74	0.74
<b>DIN 16272</b>					
Form A	100 ±1	85	0.95	0.95	0.95
Form B	120 ±5	85	1.00	1.00	1.00

### Ordering information

To order, the 7-digit order number is sufficient. Other options require additional specification.

© 2002 WIKA Alexander Wiegand SE & Co. KG, all rights reserved.  
The specifications given in this document represent the state of engineering at the time of publishing.  
We reserve the right to make modifications to the specifications and materials.



**WIKAL Alexander Wiegand SE & Co. KG**  
Alexander-Wiegand-Straße 30  
63911 Klingenberg/Germany  
Tel. +49 9372 132-0  
Fax +49 9372 132-406  
info@wika.de  
www.wika.de