

## Sound-proof Central Granulators

**NEW**

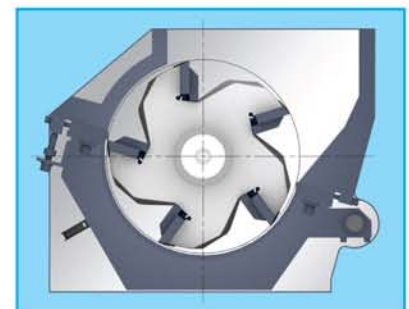
SG-43 series are suitable for centralized recycling of waste and rejected parts from injection, blowing molding and extrusion lines. This series feature compact design, easy operation and quick blade replacement. Gradually inclined cutting and integrated power design offer a better cutting effect and a lower noise level, ensures low energy consumption.



### Features:

- Optimized structure and full-closed sound-proofing ensure low noise level.
- High rigidity material made cutting chamber after processing by CNC machine has the features like high intensity, super wearability, no contamination, long service life and easy for maintenance and repairing.
- The initial cut-off point of machine with cutting chamber design is high, applicable to grind thick walled objects and sheet.
- Paddle blades design allows increased efficiency.
- The cutters are made of imported high quality steel featuring wearability, high rigidity and reusable after sharpening.
- Simple cutter installation adjusting technology makes the rotating blades and fixed blades be adjusted within clamps outside machine, no longer needs to be adjusted from inside of machine as before.
- Equipped with electrical current relay, motor overload protector and multiple safety devices, to ensure safe operation.
- For fibre-added material, increase fibre-added model for choose, Adopt surface-hardening treatment on the material contacting components blade material is V-4E joint with S50C.
- Regrind conveying system as standard.
- Dust cyclone separator can effectively remove the dust from regrind and facilitates the material collecting.
- Anti-vibration pads absorb vibration from SG-43 series.
- Dust separator system is available for choose, can effectively remove the dust from cutting chamber. And the height of the floor stand can be adjusted on different requirement.

SG-4360



Cutting Chamber Design

## Specifications

Model	SG-4360(H)	SG-4380(H)
Motor Power (kW, 50 / 60Hz)	30 / 34 (37 / 41.5)	37 / 41.5 (45 / 51)
Conveying Blower Power (kW)	2.2 / 2.55	2.2 / 2.55
Rotating Speed (r.p.m 50 / 60Hz)	350 / 420	350 / 420
Number of Fixed Blades	2 X 1	2 X 2
Number of Rotating Blades	5 X 1	5 X 2
Cutting Chamber (mm)	430 X 600	430 X 800
Max. Throughput Capacity (kg/hr)	800	1000
Noise Level dB(A)	105~110	105~110
Material of Blades	SKD11	SKD11
Regrinds Conveyor	✓	✓
Dia. of Screen Hole (Φ10 mm)	✓	✓
Flywheel	✓	✓
Dia. of Screen Hole (8, 12, 17, 25 mm)	○	○
Increased Material Conveying Blower Power (kW)	○(3)	○(3)
Dust Separator (DS-43)	○	○
Feeding Chute with Magnet	○	○
Full-receiver Alarm Device	○	○
Belt Conveyor Inlet	○	○
<b>Dimensions</b>		
H (mm)	3155	3155
H1 (mm)	2185	2185
H2 (mm)	1640	1640
H3 (mm)	1630	1630
W (mm)	1450	1650
W1 (mm)	2120	2120
W2 (mm)	480	480
W3 (mm)	190	190
D (mm)	1900	1900
D1 (mm)	1500	1500
Net Weight (kg)	2350	2850

Note: 1) "✓" standard, "○" optional.

2) "H" refers to higher motor power.

3) Modified into stainless steel made feed hopper cover plate and storage tank. Add "R" at model behind.

4) SKD11 is material code number of Japanese JIS standard.

5) When the wastes materials with fiber or nearly fiber (CPVC), we can choose granulator with model denotes "F".

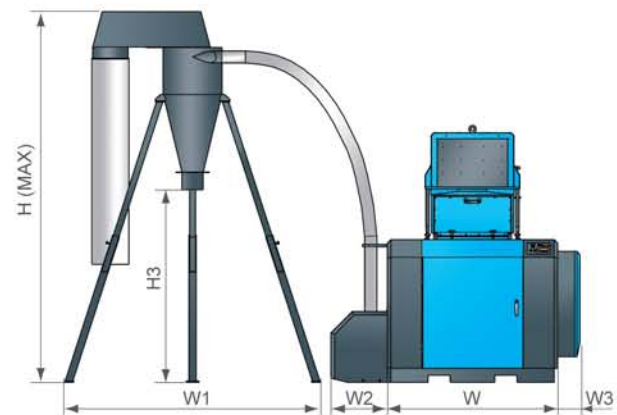
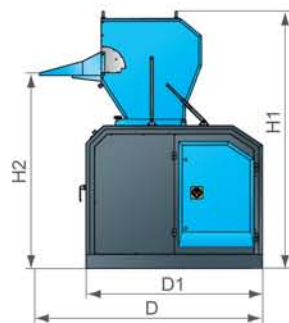
6) Max. capacity of the machine is subject to diameter of screen mesh and composition of the material.

7) Noise level will vary with different materials and motor types.

8) Noise level refers to the following conditions: 1 meter around and 1.6 meter above the machine.

9) Power supply : 3Φ, 230 / 400 / 460 / 575V, 50 / 60Hz.

We reserve the right to change specifications without prior notice.



## SHINI PLASTICS TECHNOLOGIES, INC.

### Corporate Strategic Center

Dalang, Dongguan, Guangdong, China

Tel: (0769) 8111 6600

Fax: (0769) 8111 6611

Email: shini@shini.com