

LED

IP 66



IK08



0401.35 LED 30



- Robust light alloy enclosure weighs only 6,5 kg
- Estimated service life 70 000 hours
- 4000K, CRI 80

CONSTRUCTION

Housing: aluminium powder painted casting
 Diffuser: borosilicate glass,
 Accessories: assembly kit for wall, pipe and ceiling mounting

TECHNICAL DATA

Certificate:	FIDI 19 ATEX 0046
Marking:	CE 0722
Apparatus category:	II 2GD
Marking of explosion protection:	Ex eb mb op is IIC T4 Gb Ex tb op is IIIC T80°C Db
Ambient temperature:	$-40^{\circ}\text{C} \leq T_a \leq +40^{\circ}\text{C}$
Degree of protection:	IP 66 category 1
Resistance to shock:	IK 08
Protection class :	I (protective earthing)
Rated voltage:	230 V AC
Frequency:	50Hz (60Hz on request)
Rated power:	30 W
Connecting terminals:	terminals L1 + N for $2 \times 4 \text{ mm}^2$ terminals PE for $2 \times 4 \text{ mm}^2$
Cable entry:	2x M20 (1x M20 Ex e cable gland for cable 7-15mm, 1x Exe M20 plug) or ADP 13/1 or M20 metal cable gland
Weight:	6,5 kg

MOUNTING

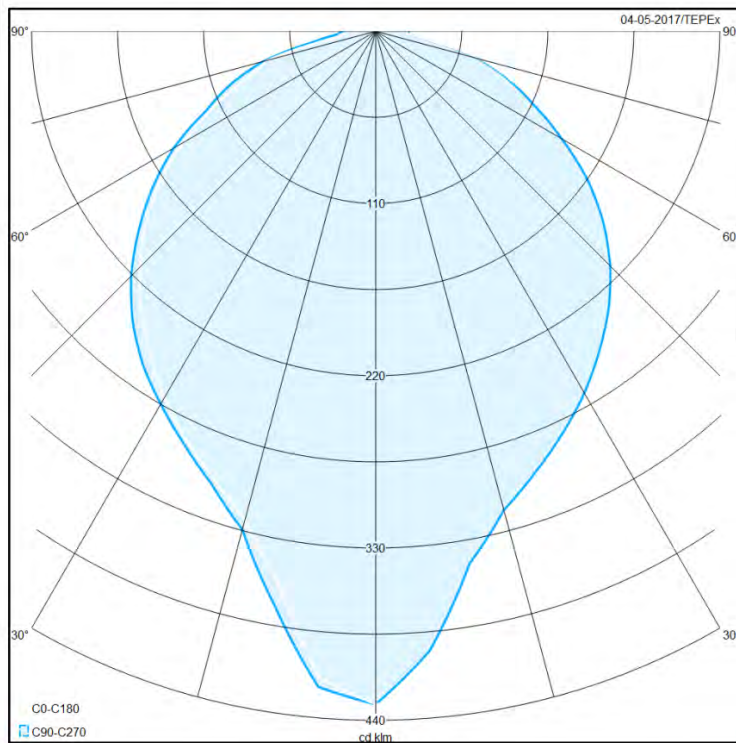
Pendant, on pipe, wall, ceiling

Pendant LED light fitting

MODEL CODE

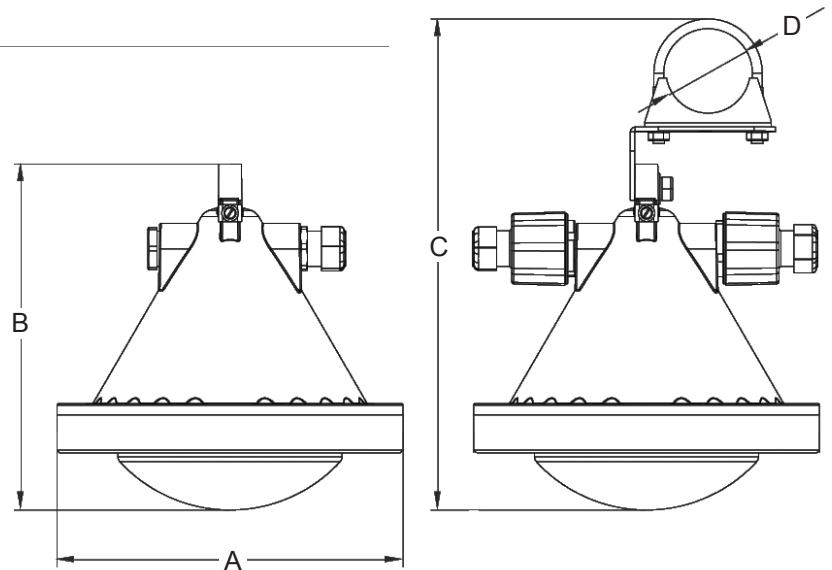
MODEL CODE	Power consumption [W]	Voltage [V]	Light fitting Luminous flux [lm]	System efficacy [lm/W]
0401.35 LED 30	32 W	230V	2720	85

POLAR CURVE



LED module 30W, 2850 lm

DIMENSION DRAWING (mm)



A	B	C	D
246	245	350	Ø65

SPARE PARTS AND ACCESSORIES

SKETCH	DESCRIPTION	CODE	SKETCH	DESCRIPTION	CODE
	Glass frame 0401.35 LED	0401.35 LED 10-130		Ex e cable gland M25	SPU 25
	Pipe mounting set 0401.35 LED	0401.35 LED 10-110		Terminal set	0401.35 LED 10-120

All technical data is relevant at the time of print.