

LED

IP 66

IK08

T_a
-40 +50Ex
ATEX

EAC

- Highest efficiency with luminous efficacy up to 170lm/W
- High colour rendering index CRI 80
- Estimated service life 70 000 hours
- With OVP, OCP, OTP protection
- Autonomous reactivation after recovery

new
LED
more lm/W

PLFS 50 LED



CONSTRUCTION

Housing: aluminium powder painted casting

Diffuser: borosilicate glass,

Accessories: protected galvanized steel gird, assembly kit for wall, pipe and ceiling mounting

Gasket: silicon

TECHNICAL DATA

| | |
|---|---|
| Certificate: | EXA 14 ATEX 0028 EAC RU C-HR.AB24.B.03244 |
| Marking: | CE 0722 |
| Apparatus category: | II 2G II 2D |
| Marking of explosion protection: | Ex db eb op is IIC T6/T5 Gb Ex tb op is IIIC T80°C/T85°C Db |
| Ambient temperature ATEX: EAC: | See "model code" table -50°C ≤ T _a ≤ +50°C |
| Degree of protection: | IP 66 category 1 |
| Resistance to shock: | IK 08 |
| Protection class : | I (protective earthing) |
| Rated voltage: | 90 - 305 V AC 127 - 431 V DC |
| Frequency: | 50Hz / 60Hz |
| Rated power: | 35W, 50W, 60W, 80W |
| Connecting terminals: | L1, L2, L3, N; max. 2 x 2,5 mm ² PE terminal ; max 2x6mm ² |
| Cable entry: | 2x M25 (1x M25 Ex e cable gland for cable 7-15mm, 1x Exe M25 plug) |
| Weight: | 7,5 kg (PLFS 50 LED-4 - 11kg) |
| Packing: | The packing contains: 2 pcs 560 x 270 x 270 mm |

MOUNTING

Pendant, on pipe, wall, ceiling, recessed (*clean room LED light fitting*)

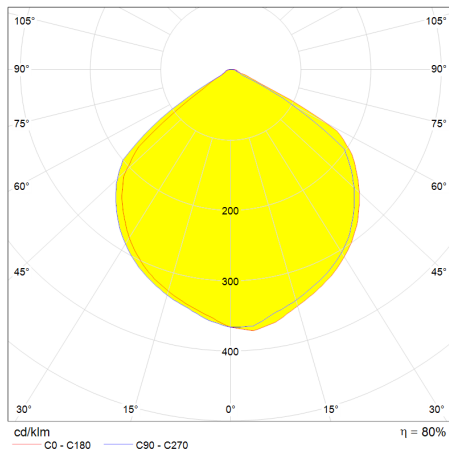


Pendant LED light fitting

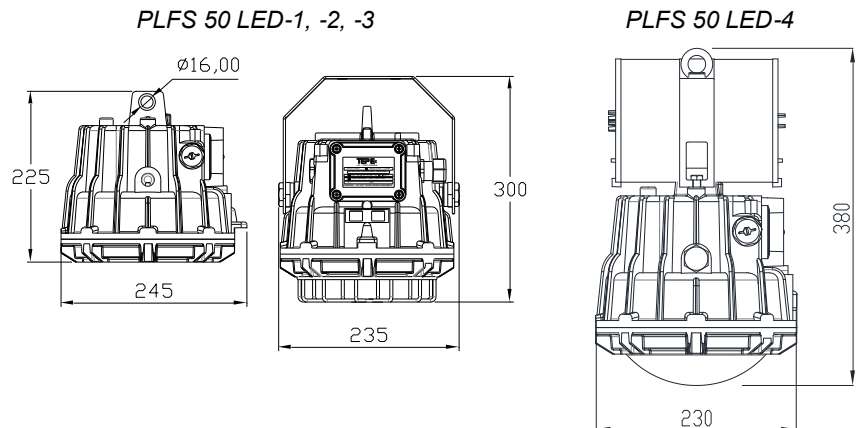
MODEL CODE

| MODEL CODE | LED POWER [W] | VOLTAGE [V] | LUMINOUS FLUX [lm] | LIGHT OUTPUT RATIO η | AMBIENT TEMP. |
|---------------|---------------|-----------------------------|--------------------|---------------------------|---------------|
| PLFS 50 LED-1 | 35 W | 90-305 V AC 127-431 V DC | 5950 | 0,80 | -40°C ÷ +60°C |
| PLFS 50 LED-2 | 50 W | | 8500 | | -40°C ÷ +55°C |
| PLFS 50 LED-3 | 60 W | | 10 200 | | 40°C ÷ +50°C |
| PLFS 50 LED-4 | 80 W | | 13 600 | | -40°C ÷ +40°C |

POLAR CURVE



DIMENSION DRAWING



SPARE PARTS AND ACCESSORIES

| SKETCH | DESCRIPTION | CODE | SKETCH | DESCRIPTION | CODE |
|--------|----------------------------|-----------------|--------|---|-------------|
| | Replacement glass PLFS LED | PLFS LED 10-120 | | PLFS-T fixing bracket for tube R 1 1/2" | PLFS 20-120 |
| | Wire guard PLFS LED | PLFS LED 10-130 | | PLFS-T mounting bracket (ceiling and wall mounting) | PLFS 20-130 |

Example of equivalent "traditional" light sources with Ex LED

| LED | | HME (mercury)) | | HIE (metal halide) | | QT (halogen) / A | |
|-----|-----------------|----------------|-----------------|--------------------|-----------------|------------------|--------------------|
| | 35W 170 lm/W | | 125W 50 lm/W | | 100W 80 lm/W | | 230W QT 18 lm/W |
| | 60W 170 lm/W | | 250W 52 lm/W | | 150W 80 lm/W | | 500W A 15 lm/W |
| | 80W 170 lm/W | | 400W 50 lm/W | | 250W 80 lm/W | | |

The given information is for rough orientation only. In each individual case a lighting calculation is necessary.

All technical data is relevant at the time of print.