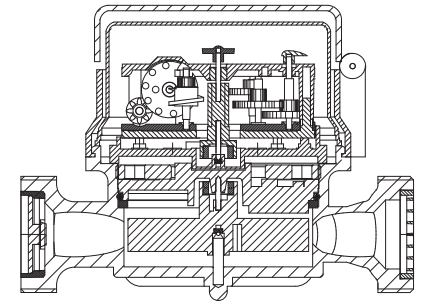


BAYLAN

WATER METERS

KK-12

Single jet Dry type Water Meter



GENERAL

- MID Certificated
- Single jet design assures very high sensitivity even at low flows
- Pulse output and AMR reading features are optional
- Plastic upper body with high resistance to pressure and impacts
- 359° rotating dial
- Vacuum mechanism
- Electrostatic painted body made of corrosion resistant brass
- Protection against external magnetic fields
- Suitable for potable water
- Available for optical reading
- 3 years of warranty • Almost no maintenance
- Suitable for cold water up to 50°C
- Service and spare parts available for 10 years
- IP68 Protected
- Environmental Classes

Climatic : -10°C/+55°C | Mechanic: M1/O | Elektromagnetic: E2

- $Q2 \leq Q \leq Q4$ Maximum Permissible Error

Class 2 Water Meters; $\% \pm 2$ (Water Temp. $\leq 30^\circ\text{C}$), $\% \pm 3$ (Water Temp. $> 30^\circ\text{C}$)

Class 1 Water Meters; $\% \pm 1$ (Water Temp. $\leq 30^\circ\text{C}$), $\% \pm 2$ (Water Temp. $> 30^\circ\text{C}$)

- $Q1 \leq Q < Q2$ Maximum Permissible Error

Class 2 Water Meters; $\% \pm 5$ | Class 1 Water Meters; $\% \pm 3$



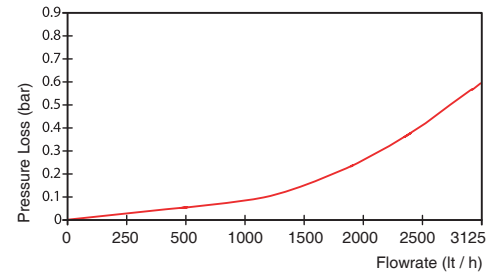
PERFORMANCE DATA

Overload Flowrate	Q4	m ³ /h	3,125	
Permanent Flowrate	Q3	m ³ /h	2,5	
Transitional Flowrate	Q2	m ³ /h	0,020	0,050
Minimum Flowrate	Q1	m ³ /h	0,0125	0,03125
Q3/Q1 (MI-001 OIML R49)	-		≤ 200	≤ 80
Mounting on the network	-		H	V
Maximum Registration Capacity	m ³	9999 / 99999 / 99999,99 / 99999,999		
Initial Flow	Qi	l/h	5	
Maximum Working Pressure	bar	16		
Maximum Working Temperature	°C	50		
Pressure Loss Class	bar	0,63		
Smallest Reading Resolution	m ³ /h	0,00005		
Class	-	Class 1/Class 2		
Quantity per package	-	10		
Package dimensions	cm	21x43x17		

DIMENSIONS

Nominal diameter	DN	15	20	mm
Connecting diameter	D	G 3/4	G 1	B
Total overall meter height	H	84,7	84,7	mm
Axis height	h	17	17	mm
Length	L	110/115	110/115	mm
Width	B	74,5	74,5	mm
Length with connections	LB	190/195	190/195	mm
Unit weight		0,53	0,54	kg
Package Weight (without connections)		5,86	5,90	kg
Package Weight (with connections)		7,46	7,80	kg

PRESSURE LOSS CURVE



PERFORMANCE CURVE

