

SanTec® OCEAN W6

Optimal hygiene with puristical design.

The infrared wall tap SanTec OCEAN W6 is notably suitable in all semi-public areas, where optimal hygiene, minimal water consumption and high-quality design is emphasised.

- **Optimal hygiene**
Due to non-contact release, the smooth and easy to clean front plate made out of safety glass and the automatic hygiene flushing after a certain non-use periode.
- **Thermostat with hot water barrier**
- **Two types of outlet lengths:**
 - Discharge 185 mm
 - Discharge 240 mm
- **Useful additional functions:**
 - Cleaning stop
 - Continuous flush
 - Hygiene flush to avoid water stagnation



glass black/chromium



glass black/chromium



glass white/chromium

Function:

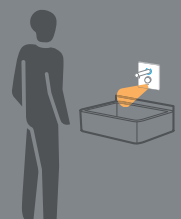
Water flow starts

As soon as the user steps into the active range of the infrared sensor system.

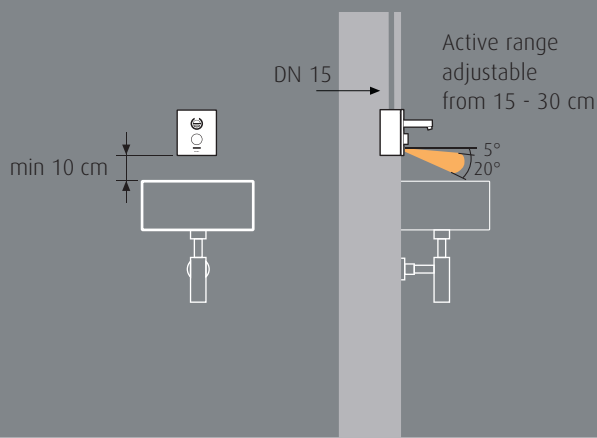


Water flow stops

If the user leaves the active range or alternatively after the adjusted flushing stop time.



Installation:



Technical specifications:**12 V external supply:**

Operating voltage: 12 V / 50 Hz directly or by a transformer
230 V / 50 Hz / 12V~ (Art.No. 231 120)
Power consumption: 4,8 VA peak

Further technical specifications:

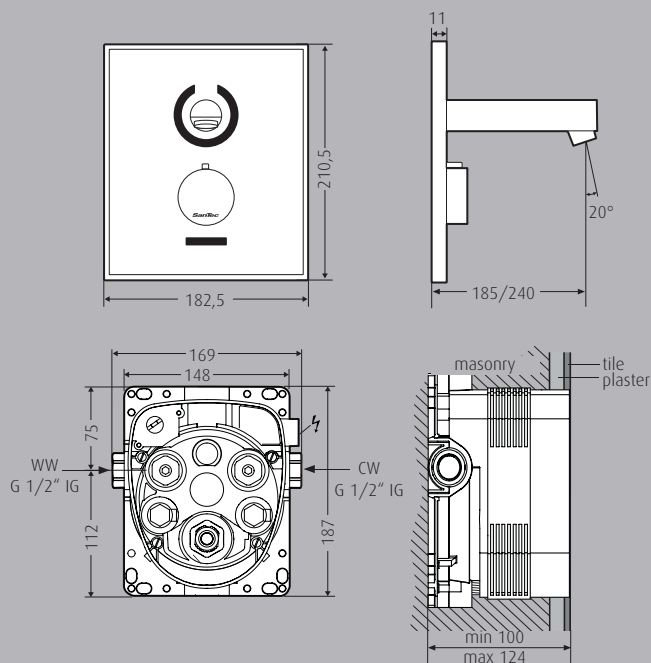
Active range: approx. 30 cm pre-adjusted
15 - 30 cm adjustable
Close-active range: 4 - 5 cm
Flushing: while user in active range
Flushing stop: 1 min pre-adjusted
10 s - 10 min adjustable
Hygiene flushing: 48 hours (3 - 48 h adjustable)
after last flushing for 10 s (switchable)
Cleaning stop: 3 min
Flow quantity: 6 l/min at 0,3 MPa (3 bar)
Flow pressure: 0,05 - 0,6 MPa (0,5 - 6 bar)
Static pressure: max. 0,8 MPa (8 bar)
Water temperature: max. 65 °C (max. 80 °C for max. 10 min)
Water inlet: R 1/2" inside thread

Dimensions:

Front plate: 182,5 x 210,5 mm
Wall-recess mounted box: 169 x 187 x 113 mm

Materials:

Front plate: Safety glass (ESG)
Thermostat handle: Chromed brass
Water outlet: Chromed brass

Dimensions in mm:**Description****Design****Art.No.****PG****SanTec OCEAN W6 pre-fabricated set consisting of:**

Safety glass front plate, mounting frame with integrated electronics, water outlet and thermostat handle with hot-water barrier.

SanTec OCEAN W6 12 V pre-fabricated set

Infrared wall tap for 12 V external supply.

Discharge 185 mm
Discharge 185 mm
Discharge 240 mm
Discharge 240 mm

white/chromium
black/chromium
white/chromium
black/chromium

112 382
114 638
118 803
118 810

PG 1
PG 1
PG 1
PG 1

SanTec W6 wall-recess mounted box

In-wall unit with thermostat for SanTec OCEAN/PROOF W6.

Consisting of: wall recess mounted box with 2 shut-off valves and integrated dirt filters, thermostat mixer, 2 magnetic valves, electric connection cable (3 m), sealing collar, fitting clamps and cover plate.

112 436

PG 1

Accessory see products 2010 | 2011:

SanTec power transformer 230 V / 50 Hz / 12 V~ / 2 VA to connect one control unit

231 120

PG 1

SanTec power transformer 230 V / 50 Hz / 12 V~/ 50 VA to connect up to 10 control units

113 792

PG 1

