

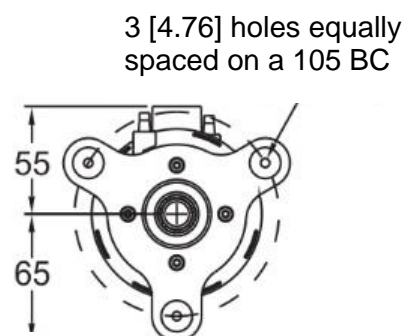
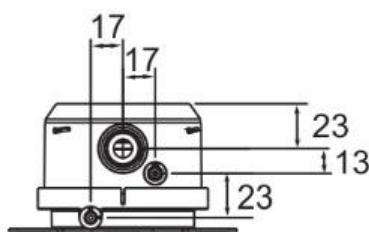
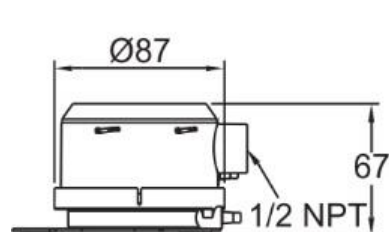
DOL 18

Electronic Sub-pressure Sensor



The DOL 18 electronic sub-pressure sensor is used in connection with climate and production computers, for climate monitoring among other things. The DOL 18 electronic sub-pressure sensor can be used for reading of the pressure in the livestock house and for generating an alarm in case of too low or too high pressure. Furthermore, the DOL 18 electronic sub-pressure sensor is often used for pressure control in central ducts. For instance, in connection with air cleaning systems.

DIMENSIONS



Wall Mount Bracket

Figure 1: Dimensions (mm)

PRODUCT SURVEY



140233 DOL 18 ELECTRONIC SUB-PRESSURE SENSOR 100 PA

140234 DOL 18 ELECTRONIC SUB-PRESSURE SENSOR 300 PA

TECHNICAL DATA

Pressure limits	1 psi (6.89 kPa) maximum, operation 10 psi (68.9 kPa) burst	
Accuracy	± 1 %	40Pa (0.16 w.c) 50Pa (0.2 w.c) 100Pa (0.4 w.c) 500Pa (2 w.c) 750Pa (3 w.c) 1250Pa (5 w.c)
		± 2 % 25Pa (0.1 w.c) 300Pa (1.2 w.c) and all two-way ranges
Cabling		
2-Wire:		
	Power supply:	11-35VDC
	Voltage output:	4-20mA
	Max. shunt resistance:	50-1250Ω (see graph)
3-Wire:		
	Power supply:	17-35VDC / 20-33VAC
	Voltage output:	0-10V / 0-5V (dip-switch setting).
	Load resistance R_{LOAD} :	>100kΩ
4-Wire:		
	Power supply:	18-35VDC
	Voltage output and current measurement:	4-20mA and 0-10V / 0-5V (dip-switch setting).
	Max. shunt resistance:	50-900Ω (see graph)
	Load resistance R_{LOAD} :	>100kΩ
Stability:	± 1 % F.S. / year	
Response time:	Provides a 95 % response time of 1.5 to 228 seconds.	
Power consumption:	40 mA max.	
Electrical Connections:	4 to 20 mA units: 2-Wire: 0 to 10 V (0 to 5V) units: 3-wire: 4 to 20mA and 0 to 10V / 0 to 5V units 4-wire: European style terminal block for 16 to 26 AWG	
Electrical Entry:	1/2" NPS thread Cable gland for 5 to 10 mm diameter cable.	
Process Connections:	3/16" (5 mm) ID tubing.	
Storage temperature:	-18 °C – 66 °C	
Working temperature:	-18 °C – 66 °C	
Enclosure rating:	IP66/ NEMA 4	
Mounting Orientation:	Diaphragm in vertical position	
Weight:	230 g	