



Technical data

| | | | |
|---------------------|--------------------------|----------|-----|
| Voltage | U | 230 | V |
| Phase | | 1 | ~ |
| Frequency | | 50 | Hz |
| Speed | | 920 | RPM |
| Power consumption | P _e | 580 | W |
| Nominal current | I | 2.8 | A |
| Maximum current | I | 3.2 | A |
| Capacitor | | 16/400 | μF |
| Ambient temperature | T _{amb min/max} | -25...40 | °C |
| Insulation Class | | CLF | |
| IP Class Fan | | IP55 | |
| Weight | | 17.8 | kg |

Fan details

| | |
|-------------------|----|
| Impeller blades | 3 |
| Impeller type | 8 |
| Impeller system | G |
| Impeller material | PG |

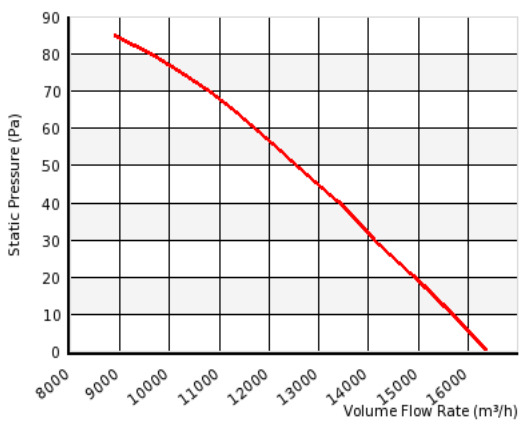
Control options

| | |
|-----------------------|-----|
| Triac controller | Yes |
| Transformer | Yes |
| Frequency drive | No |
| Intelligent Fan Drive | Yes |

* All control options including single phase control frequency are available. Please contact Vostermans Ventilation Sales for more information

Characteristics

0 Pa 16400 m³/h
 50 Pa 12500 m³/h



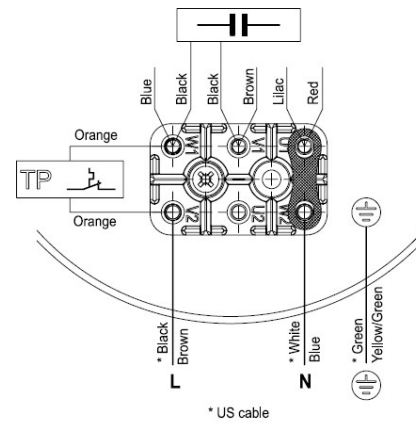
Please note: Picture may deviate from original product

Approval(s)



Wiring diagram - Fan

AA01 - CCW



Dimensions

