



Technical data

Voltage	U	230	V
Phase		1	~
Frequency		50	Hz
Speed		900	RPM
Power consumption	P _e	630	W
Nominal current	I	3	A
Maximum current	I	3.6	A
Capacitor		16/400	μF
Ambient temperature	T _{amb min/max}	-25...40	°C
Insulation Class		CLF	
IP Class Fan		IP55	
Weight		15.4	kg
Packing dimensions		720x720x400	mm

Fan details

Impeller blades	5
Impeller type	5
Impeller system	G
Impeller material	PG

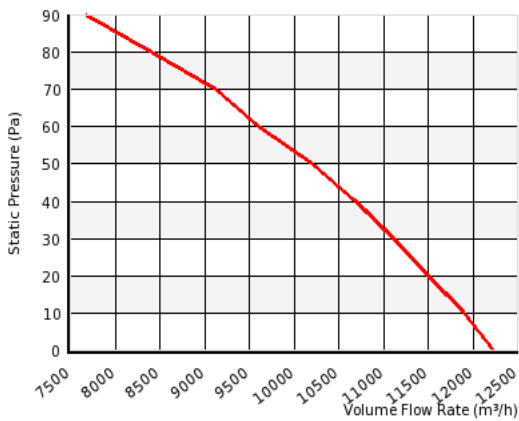
Control options

Triac controller	Yes
Transformer	Yes
Frequency drive	No
Intelligent Fan Drive	Yes

* All control options including single phase control frequency are available. Please contact Vostermans Ventilation Sales for more information

Characteristics

0 Pa 12200 m³/h
 50 Pa 10200 m³/h



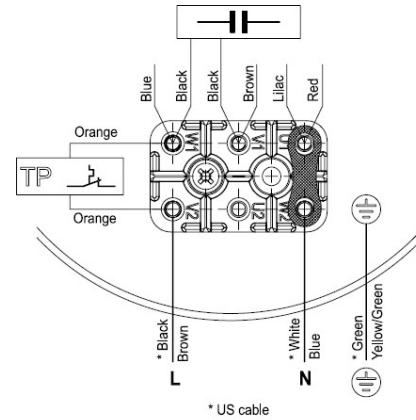
Please note: Picture may deviate from original product

Approval(s)



Wiring diagram - Fan

AA01 - CCW



Dimensions

