



Technical data

Voltage	U	230/400	V
Phase		3	~
Frequency		50	Hz
Speed		1360	RPM
Power consumption	P _e	1500	W
Nominal current	I	6.2/3.6	A
Maximum current	I	7.7/4.5	A
Capacitor		-	μF
Ambient temperature	T _{amb min/max}	-25...40	°C
Insulation Class		CLF	
IP Class Fan		IP55	
Sound pressure level at 2 m	L _p	76	dB(A)
Weight		18.7	kg
Packing dimensions		800x790x395	mm

Fan details

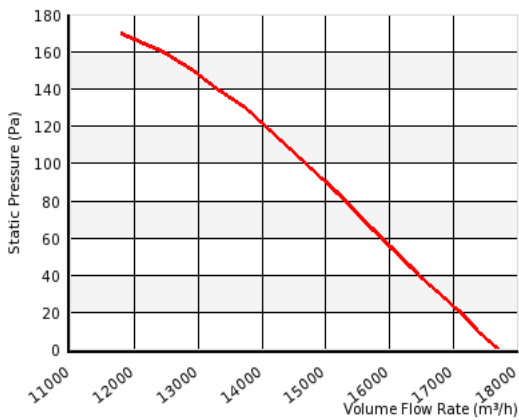
Impeller blades	4
Impeller type	5
Impeller system	G
Impeller material	PG

Control options

Triac controller	No
Transformer	Yes
Frequency drive	Yes
Intelligent Fan Drive	No

Characteristics

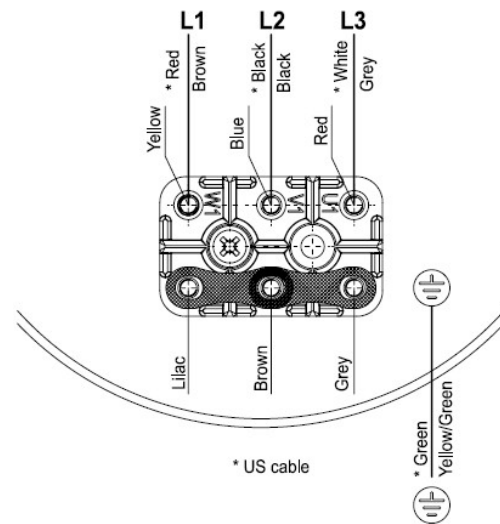
0 Pa	17700 m ³ /h
100 Pa	14700 m ³ /h



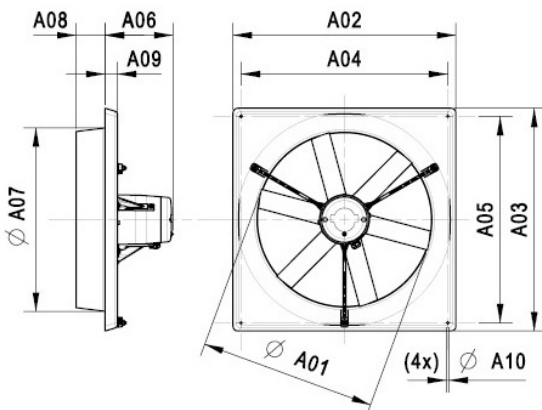
Please note: Picture may deviate from original product

Wiring diagram - Fan

AB01 - CCW



Dimensions



A01:	646 mm
A02:	775 mm
A03:	775 mm
A04:	715 mm
A05:	715 mm
A06:	247 mm
A07:	670 mm
A08:	105 mm
A09:	40 mm
A10:	10 mm