



FRP Systems

Proportioners and Guns for Gel Coat and Chop Applications



PROVEN QUALITY. LEADING TECHNOLOGY.

Industry-leading solutions for FRP



Raising the bar for high-performance FRP equipment

Engineered with industry-proven Graco components, Graco FRP (Fiber-Reinforced Plastic) Systems and RS™ (Resin Spray) applicator guns provide you with a system that is technologically advanced, durable and easy to use.

Lower cost of ownership

- Easy maintenance—few wear parts
- More uptime for production—longer periods between scheduled maintenance

Quality parts—all day, every day

Your reputation rides on the quality of your end products. With Graco FRP equipment, you're assured of a consistent catalyst ratio for a consistent cure—resulting in higher quality, finished products.

A smart future investment: MACT-compliant technology

Graco FRP equipment features MACT (Maximum Achievable Control Technologies)-compliant RS spray guns. As regulations change to require new technologies, Graco promises to be a smart investment for the future of your business.

Here's why. Graco FRP equipment supports MACT requirements with two application tip designs—one for air assisted airless and a second one for impingement spray processes. **With Graco, you can switch from air assisted airless to impingement by simply changing the spray tip.**



Graco Gel Coat System

External Mix Gun



Roving Management System

- Better guides—less tangling, more uptime

New Linkage and Catalyst Pump

- Truly engineered linkage for superior ratio control
- Allows for infinite adjustment of catalyst percentage —no tools required
- Ensures proper catalyst percentage and optimum results
- Variance of 1% or less

Balanced Graco NXT® Air Motor

- Provides same output pressure on upstroke and downstroke, resulting in more consistent spray pattern
- Shortened stroke on pump for better spray pattern

Control Panel

- Easy user interface with all gauges in one location

Stable, Lightweight Cart

- Easy to maneuver
- Strong, durable casters

Gravity Fed Catalyst System

- Keeps the catalyst pump primed for consistent delivery

Internal Mix-Chop Gun

Optional DataTrak™ Control

- Monitors resin usage — Helps ensure product quality by tracking resin usage per piece, shift or day
- Tracks cycles for preventive maintenance schedule
- Displays real time flow rate—eliminates material waste due to worn spray tips

Graco Chop System

Featuring:

- More consistent spray pattern
- Resin usage monitor
- Linkage and tool-free catalyst adjustment

Optional inline heaters provide consistent temperature and viscosity control at the point of application (see page 11)

Easy to use, lightweight guns

Graco RS Chop Gun with Cutter

Magnetic Cutter Drum

- Quick and easy blade changes
- Magnet in cutter head holds blades in place

Swivel Feature

(Where the fluid line connects to the gun)

- Allows smooth movement
- Operator can easily pivot in different directions without kinking the hose

Ergonomic Handle

- Less operator fatigue

Graco RS Gel Coat Gun



Solvent-Safe

- Easy shutdown — simply place front end in solvent at end of shift

Quick-Disconnect Front End

- Modular design means it's very easy to get to the specific part you need to replace
- No need to disassemble the entire gun
- Increases productivity, reduces cleanup time

Constant Control

- Adjust glass cutting tension output on the production floor in seconds
- No tools needed to make many adjustments

Lightweight, High-Output Cutter

- Allows you to get the glass output you need with fewer strands of roving
- Fewer strands of roving means less chance of tangling, easier handling and more uptime
- External anvil adjustment lets you quickly and easily adjust anvil tension



Optional Quick-Change Blade Cartridges

- Change blades in a matter of seconds
- Replace the whole cartridge at once, not individual blades
- Greatly reduces the chance of nicks and cuts
- Only available from Graco!



Both Graco RS Gel Coat Guns and Graco RS Chop Guns are available in internal and external mix models

Fast switch tip design – A Graco Exclusive



Impingement Tip



Air Assisted Airless Tip

OR



Only Graco allows you to switch technologies just by changing tips



Exclusive Graco Feature

Today's FRP market uses two different technologies. Mechanical Air Atomized (Air Assisted Airless) and Mechanical Non-Air Atomized (Impingement). Using the Graco RS Guns allows you to switch from one technology to the other by simply changing the spray tip. This can be done quickly and cost effectively.



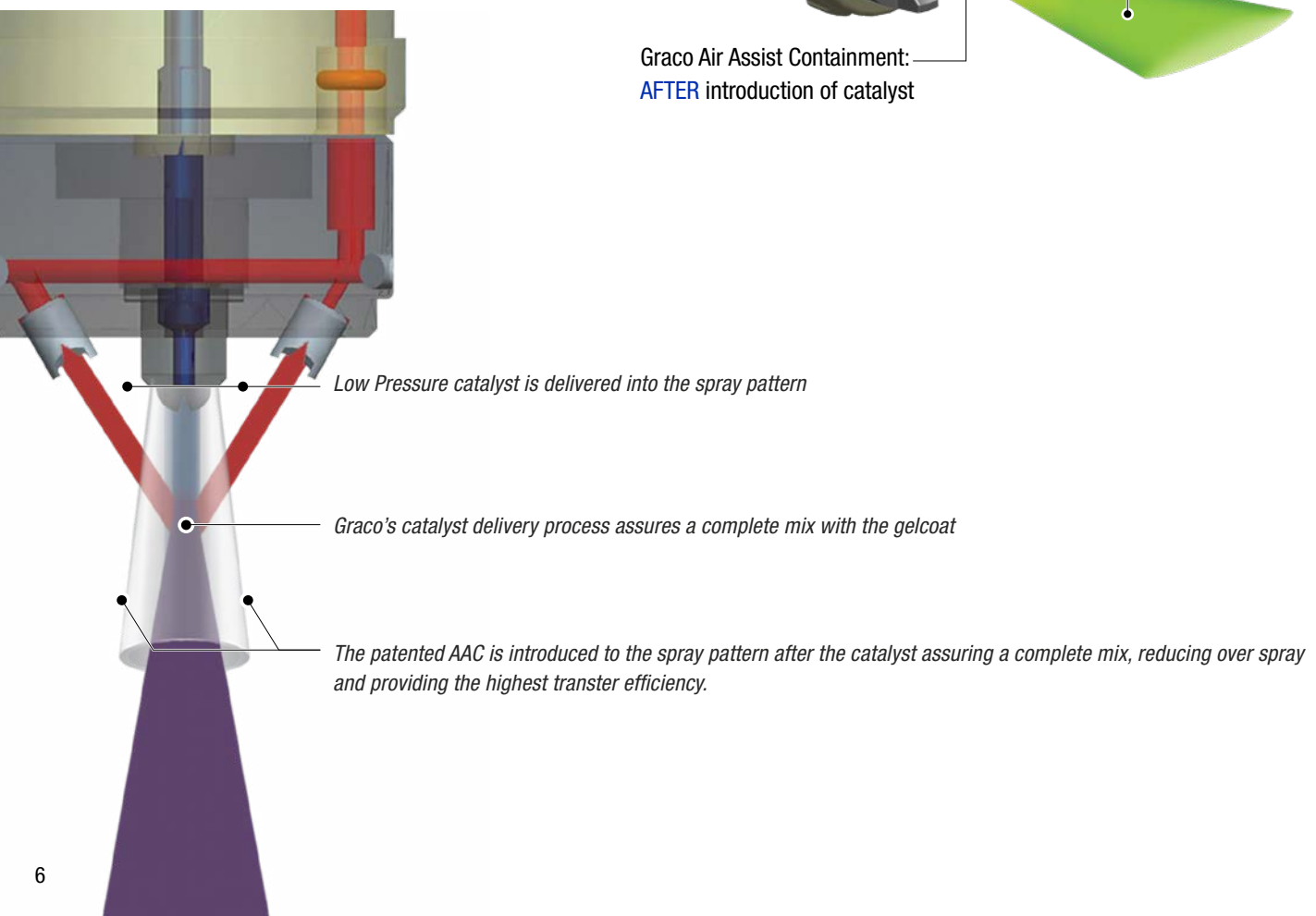
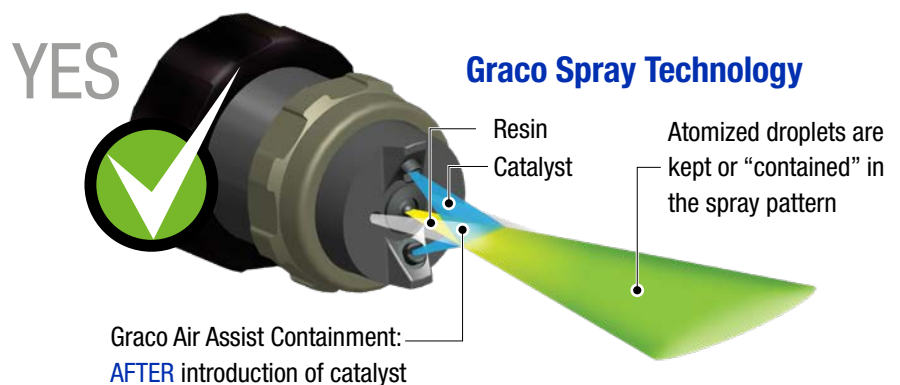
AAC Spray Control Technology – A Graco Exclusive

Air Assist Containment™ (AAC) – control and contain your spray pattern

When you buy a drum of resin or gelcoat, you pay for every drop of material. Graco will help you put as many of those drops as possible on the mold.

Our exclusive Air-Assist Containment (AAC) wraps the spray pattern in a containment shield of air. This prevents atomized droplets from escaping the spray pattern creating a better working environment. Droplets that escape and end up on the floor, wall or employee's clothing are a waste of money.

AAC creates a spray pattern where the droplets travel to the mold at very low pressure. The low speed or "particle velocity" creates very little turbulence or disturbance in the material when it is applied to the mold. Higher "particle velocity" creates a great deal of turbulence during the application process. Turbulence, or over-atomization, creates air entrapment which can result in porosity issues.





Systems

| | | | No Cart/Hose Length* | | Cart/Hose Length* | | Cart, Mast and Boom/Hose Length* | |
|---|--------------|------|----------------------|-----------|-------------------|-----------|----------------------------------|-----------|
| | | | Part# | m (ft) | Part # | m (ft) | Part # | m (ft) |
| 13:1 Ratio Max Air Consumption**: 1.000 L/Min. (35 SCFM) Max Fluid Output**: 5.7 lpm (1.5 gpm) | Internal Mix | Gel | 16R065 | 7.6 (25) | 16R002 | 7.6 (25) | 16R053 | 7.6 (25) |
| | | | 16R068 | 10.7 (35) | 16R044 | 10.7 (35) | 16R056 | 10.7 (35) |
| | | | 16R071 | 15.2 (50) | 16R047 | 15.2 (50) | 16R059 | 15.2 (50) |
| | | | 16R074 | (None) | 16R050 | (None) | 16R062 | (None) |
| | | Chop | 16R135 | 7.6 (25) | 16R123 | 7.6 (25) | 16R004 | 7.6 (25) |
| | | | 16R138 | 10.7 (35) | 16R114 | 10.7 (35) | 16R126 | 10.7 (35) |
| | | | 16R141 | 15.2 (50) | 16R117 | 15.2 (50) | 16R129 | 15.2 (50) |
| | | | 16R144 | (None) | 16R120 | (None) | 16R132 | (None) |
| | External Mix | Gel | 16R030 | 7.6 (25) | 16R001 | 7.6 (25) | 16R018 | 7.6 (25) |
| | | | 16R033 | 10.7 (35) | 16R009 | 10.7 (35) | 16R021 | 10.7 (35) |
| | | | 16R036 | 15.2 (50) | 16R012 | 15.2 (50) | 16R024 | 15.2 (50) |
| | | | 16R039 | (None) | 16R015 | (None) | 16R027 | (None) |
| | | Chop | 16R100 | 7.6 (25) | 16R088 | 7.6 (25) | 16R003 | 7.6 (25) |
| | | | 16R103 | 10.7 (35) | 16R079 | 10.7 (35) | 16R091 | 10.7 (35) |
| | | | 16R106 | 15.2 (50) | 16R082 | 15.2 (50) | 16R094 | 15.2 (50) |
| | | | 16R109 | (None) | 16R085 | (None) | 16R097 | (None) |
| 17:1 Ratio Max Air Consumption**: 1.000 L/Min. (35 SCFM) Max Fluid Output**: 3.8 lpm (1gpm) | Internal Mix | Gel | 16R205 | 7.6 (25) | 16R006 | 7.6 (25) | 16R193 | 7.6 (25) |
| | | | 16R208 | 10.7 (35) | 16R184 | 10.7 (35) | 16R196 | 10.7 (35) |
| | | | 16R211 | 15.2 (50) | 16R187 | 15.2 (50) | 16R199 | 15.2 (50) |
| | | | 16R214 | (None) | 16R190 | (None) | 16R202 | (None) |
| | External Mix | Gel | 16R170 | 7.6 (25) | 16R005 | 7.6 (25) | 16R158 | 7.6 (25) |
| | | | 16R173 | 10.7 (35) | 16R149 | 10.7 (35) | 16R161 | 10.7 (35) |
| | | | 16R176 | 15.2 (50) | 16R152 | 15.2 (50) | 16R164 | 15.2 (50) |
| | | | 16R179 | (None) | 16R155 | (None) | 16R167 | (None) |
| | | | 16R205 | 7.6 (25) | 16R006 | 7.6 (25) | 16R193 | 7.6 (25) |
| | | | 16R208 | 10.7 (35) | 16R184 | 10.7 (35) | 16R196 | 10.7 (35) |
| 9:1 Ratio High Output System Max Air Consumption**: 1.000 L/Min. (35 SCFM) Max Fluid Output**: 8.4 lpm (2.2 gpm) | Internal Mix | Chop | 16R300 | 7.6 (25) | 16R301 | 7.6 (25) | 16R302 | 7.6 (25) |
| | | | 16R303 | 10.7 (35) | 16R304 | 10.7 (35) | 16R305 | 10.7 (35) |
| | | | 16R306 | 15.2 (50) | 16R307 | 15.2 (50) | 16R308 | 15.2 (50) |
| | | | 16R309 | (None) | 16R310 | (None) | 16R311 | (None) |
| | | | 16R300 | 7.6 (25) | 16R301 | 7.6 (25) | 16R302 | 7.6 (25) |
| 13:1 Ratio with High Flow Gun 24P435 Max Air Consumption**: 1.000 L/Min. (35 SCFM) Max Fluid Output**: 5.7 lpm (1.5 gpm) | Internal Mix | Chop | 24W435 | 7.6 (25) | 24W432 | 7.6 (25) | 24W438 | 7.6 (25) |
| | | | 24W436 | 10.7 (35) | 24W433 | 35 (10.7) | 24W439 | 10.7 (35) |
| | | Chop | 24W437 | 15.2 (50) | 24W434 | 15.2 (50) | 24W440 | 50 (15.2) |
| | | | 24W435 | 7.6 (25) | 24W432 | 7.6 (25) | 24W438 | 7.6 (25) |

* Systems without hoses do not come with guns
 ** Fluid and air flow rate for 70 cpm

Solvent Flush Kits

| | |
|--------|--|
| 16M560 | Diaphragm Pump Solvent Flush Kit - 9.5 l (2.5 gal) |
| 16M561 | Diaphragm Pump Solvent Flush Kit - 19 l (5 gal) |
| 16M893 | Pressure Pot Solvent Flush Kit - 7.6 l (2 gal) |
| 16M894 | Pressure Pot Solvent Flush Kit - 19 l (5 gal) |
| 16M874 | CE Pressure Pot Solvent Flush Kit - 7.6 l (2 gal) |

Optional Kits

| | |
|--------|--|
| 16M881 | DataTrak Upgrade Kit |
| 24M501 | 19 l (5 gal) Catalyst Tank Kit |
| 16M896 | 208 l (55 gal) Drum Cart for Cart, Mast and Boom |
| 16M897 | 208 l (55 gal) Drum Cart for Pole Cart |
| 16M961 | Roving Box Kit |
| 16N918 | Wall Mount Bracket Kit |
| 16N761 | Boom Kit |



Hose Kits

| | |
|--------|---|
| 16M718 | Internal Gel Hose Extension 7.6 m (25 ft) |
| 16M587 | Internal Gel Hose Bundle 7.6 m (25 ft) |
| 16M590 | Internal Gel Hose Bundle 10.7 m (35 ft) |
| 16M584 | Internal Gel Hose Bundle 15.2 m (50 ft) |
| 16M719 | External Gel Hose Extension 7.6 m (25 ft) |
| 16M588 | External Gel Hose Bundle 7.6 m (25 ft) |
| 16M591 | External Gel Hose Bundle 10.7 m (35 ft) |
| 16M585 | External Gel Hose Bundle 15.2 m (50 ft) |
| 16M712 | Chop Hose Extension 7.6 m (25 ft) |
| 16M586 | Chop Hose Bundle 7.6 m (25 ft) |
| 16M589 | Chop Hose Bundle 10.7 m (35 ft) |
| 16M583 | Chop Hose Bundle 15.2 m (50 ft) |

Replacement Outlet Filters

| | |
|--------|-------------------------------------|
| 224458 | 30 mesh, 2-pack |
| 238436 | 30 mesh, 25-pack |
| 224459 | 60 mesh, 2-pack |
| 238438 | 60 mesh, 25-pack |
| 224468 | 100 mesh (standard option), 2-pack |
| 238440 | 100 mesh (standard option), 25-pack |
| 224469 | 200 mesh, 2-pack |
| 238442 | 200 mesh, 25-pack |



Pump Kits and Parts

| | |
|--------|-------------------------------------|
| W17CFS | 17:1 Pump Assembly 75 cc SST |
| W13DFC | 13:1 Pump Assembly 100 cc CS |
| W09DFC | 9:1 Pump Assembly 150 cc CS |
| M07LNL | 4.5 in FRP NXT Air Motor |
| 16N238 | 4.5 in FRP NXT Air Motor - Seal Kit |
| LW150A | 150 cc FRP Lower |
| 17E098 | 150 cc FRP Lower - Seal Kit |
| 17E099 | 150 cc FRP Lower - Connection Kit |
| LW100C | 100 cc FRP Lower |
| 16N232 | 100 cc FRP Lower - Seal Kit |
| 16N243 | 100 cc FRP Lower - Connection Kit |
| LW075S | 75 cc FRP Lower |
| 16N231 | 75 cc FRP Lower - Seal Kit |
| 16N242 | 75 cc FRP Lower - Connection Kit |
| 16N740 | Internal Mix Catalyst Pump Assembly |
| 16N741 | External Mix Catalyst Pump Assembly |
| 16N919 | Catalyst Pump Rebuild Kit |

Guns

RS Guns

| | |
|-------------|--|
| 258853..... | RS Internal Mix Gel Coat Gun, CST521 tip |
| 258840..... | RS External Mix Gel Coat Gun, CST521 tip |
| 258971..... | RS Internal Mix Chop Gun with Cutter, CST443 tip |
| 258970..... | RS External Mix Chop Gun with Cutter, CST443 tip |
| 258854..... | RS Internal Mix Chop Gun without Cutter, CST443 tip |
| 258852..... | RS External Mix Chop Gun without Cutter, CST443 tip |
| 24P435..... | RS Internal Mix Chop Gun (High Flow) with Cutter, CST561 tip |
| 24P436..... | RS Internal Mix Chop Gun (High Flow) w/o Cutter, CST561 tip |

RS Gun Parts

| | |
|-------------|--------------------------------------|
| 24E512..... | Cutter assembly |
| 24E448..... | 4-Blade Cartridge Kit, 5-pack |
| 24F602..... | 6-Blade Cartridge Kit, 5-pack |
| 24E449..... | 8-Blade Cartridge Kit, 5-pack |
| 123672..... | Anvil - Cartridge Cutter Head |
| 126995..... | Anvil - Individual Blade Cutter Head |
| 16K768..... | RS RTM and Pour Adapter |
| 24H337..... | Internal Mix High Flow Kit |
| 24H336..... | External Mix High Flow Kit |
| 24M569..... | Roving guide, 2-hole feeder bar |

Optional Cutter Chutes

| | |
|-------------|---------------------------------|
| 16K759..... | Open, Short, Adjustable Chute |
| 16K760..... | Closed, Short, Adjustable Chute |
| 16K762..... | Open, Long, Adjustable Chute |
| 16K763..... | Closed, Long, Adjustable Chute |
| 125883..... | Closed, Long, Wide Chute |
| 125884..... | Closed, Narrow Chute |

Head Assemblies

| | |
|-------------|--|
| 24E426..... | External Mix Horizontal Front Head Kit |
| 24E427..... | External Mix Vertical Front Head Kit |
| 24E442..... | Internal Mix Chop Front Head Kit |
| 24G615..... | Internal Mix Gel Front Head Kit |

Gun Kits

| | |
|-------------|--|
| 24E415..... | Solvent AAC assembly fitting kit |
| 24E416..... | Needle clamp assembly kit |
| 24E417..... | Complete needle assembly |
| 24E418..... | Needle repair kit |
| 24E419..... | Needle AAC kit |
| 24E420..... | Catalyst Seat Kit |
| 24E421..... | Resin Seat Kit |
| 24E422..... | Cutter adapter kit |
| 24E423..... | Catalyst check valve |
| 24E424..... | Check valve housing kit |
| 24E425..... | Trigger air valve kit |
| 24E428..... | Seat seal, 6-pack |
| 24E435..... | Tip seal kit, 6-pack |
| 24E436..... | Needle assembly kit, 6-pack |
| 24E443..... | Front head internal check valve |
| 24E444..... | Internal spring check valve kit |
| 24E446..... | Front head external check valve kit |
| 24E447..... | Front head external check valve repair kit |
| 24F706..... | Chopper Air Shutoff Valve |
| 24Y928..... | RS Gun ratio check kit |

HOW TO READ A COMPOSITE SPRAY TIP NUMBER

Airless Composites Spray Tips - For example: CST521

1. The first three letters (CST) = Composite Spray Tip.
2. The 4th digit indicates pattern width code.
Double this number to get the pattern width at 3mm (12 inches) distance.
In this case, 5 equals a 250mm (10 inches) spray pattern width at a 2 inches spraying distance.
3. The last two digits indicates orifice size.
In this case, 21 is equivalent to a .021" diameter orifice.

Impingement Composite Spray Tips - For example: CSTS75

1. The first three letters (CST) = Composite Spray Tip.
2. The 4th digit indicates S for stainless steel or T for tool steel.
3. The 5th digit indicates spray pattern width code.
Double the number to get pattern width at 450mm (18 inches) distance.
In this case, 7 equals a 350mm (14 inches) pattern width at an 450mm (18 inches) spraying distance.



Airless Composite Spray Tips (CSTXXX)

FAN WIDTH

| | | ORIFICE SIZE - INCHES | | | | | | | | | | | |
|----|------|-----------------------|-------|-------|-------|-------|-------|-------|-------|-------|-------|-------|-------|
| IN | (MM) | 0.015 | 0.017 | 0.019 | 0.021 | 0.023 | 0.027 | 0.031 | 0.035 | 0.043 | 0.051 | 0.061 | 0.071 |
| 4 | 100 | 215 | 217 | 219 | 221 | 223 | 227 | 231 | 235 | | | | |
| 6 | 150 | 315 | 317 | 319 | 321 | 323 | 327 | 331 | 335 | 343 | 351 | | |
| 8 | 200 | 415 | 417 | 419 | 421 | 423 | 427 | 431 | 435 | 443 | 451 | 461 | 471 |
| 10 | 250 | 515 | 517 | 519 | 521 | 523 | 527 | 531 | 535 | 543 | 551 | 561 | 571 |
| 12 | 300 | 615 | 617 | 619 | 621 | 623 | 627 | 631 | 635 | 643 | 651 | 661 | 671 |

Impingement Composite Spray Tips (CSTXXX)

FAN WIDTH

| | | ORIFICE SIZE - INCHES | | | | | | | |
|----|------|-----------------------|-------|-------|-------|-------|----------|----------|-------|
| IN | (MM) | 0.018 | 0.021 | 0.036 | 0.042 | 0.052 | 0.062 | 0.070 | 0.081 |
| 6 | 150 | S31 | S32 | S33 | S34 | S35 | S36, T36 | S37, T37 | |
| 8 | 200 | S41 | S42 | S43 | S44 | S45 | S46, T46 | S47, T47 | |
| 10 | 250 | S51 | S52 | S53 | S54 | S55 | S56, T56 | S57, T57 | S58 |
| 12 | 300 | S61 | S62 | S63 | S64 | S65 | S66, T66 | S67, T67 | S68 |
| 14 | 350 | S71 | S72 | S73 | S74 | S75 | S76, T76 | S77 | S78 |
| 16 | 400 | S81 | S82 | S83 | S84 | S85 | S86, T86 | S87 | S88 |
| 18 | 460 | S91 | S92 | | | | | | |



FRP Accessories

Heavy Duty Drum Agitator

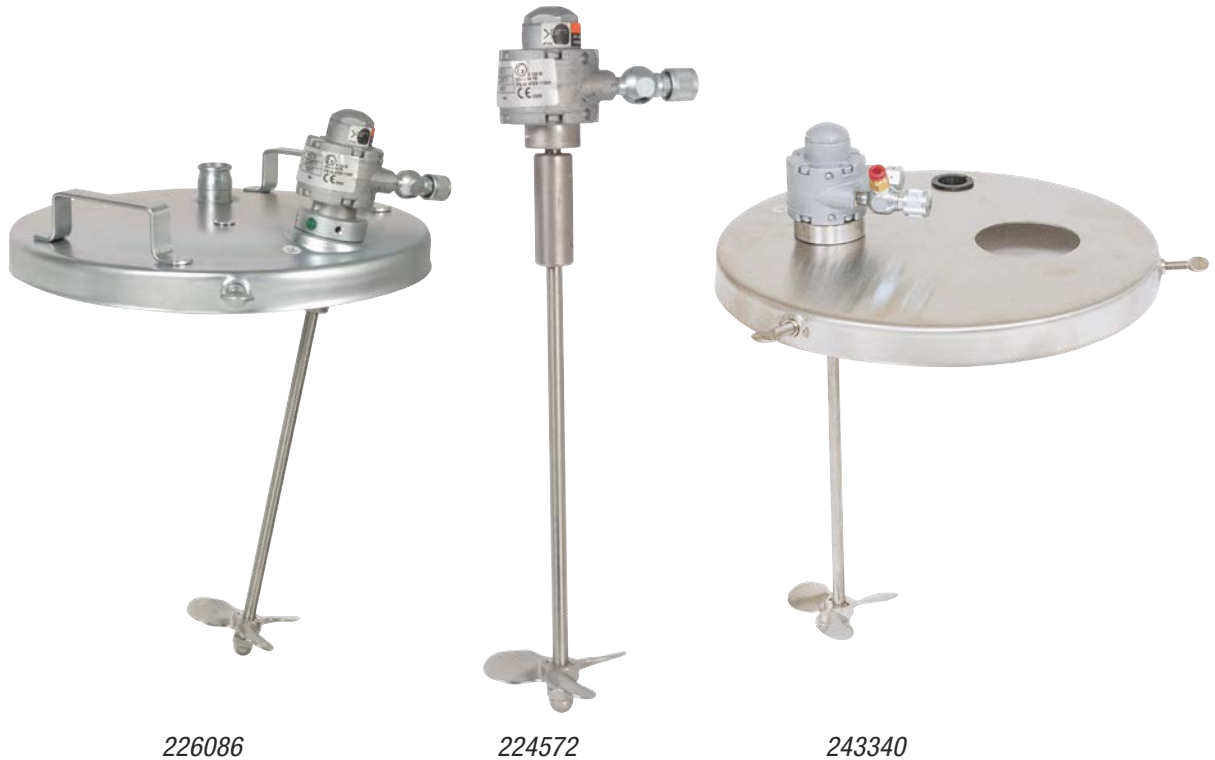
- Heavy duty gearbox mixes high viscosity materials
- Leak-free and oil-less gearbox prevents material contamination
- Stainless steel agitator and cover for corrosion resistance
- Twin paddles thoroughly mix finishing materials
- Siphon option allows material transfer through agitator shaft
- Access port for easy sampling and inspection of material during operation



| Part No. | Description | Drive | KW (HP) | Length cm (in) | Material | Manual |
|----------|---|-------|------------|----------------|----------|------------------------|
| 231414 | Heavy-duty back-gearred agitator with elevator, drum cover and siphon kit | Air | 0.37 (0.5) | 81.25 (32) | SST | 308609 |
| 231413 | Same as 231414, except without siphon capability | Air | 0.37 (0.5) | 81.25 (32) | SST | 308609 |
| 238157 | Heavy-duty back-gearred agitator | Air | 0.37 (0.5) | 81.25 (32) | SST | 308609 |
| 240209 | Same as 238157 with siphon kit | Air | 0.37 (0.5) | 81.25 (32) | SST | 308609 |
| 238250 | Siphon tube kit; fits 238157 agitator | | | 109 (43) | SST | 308609 |

Rail Cover Agitator

- Lift handles for easy moving and colour changes
- Locking bolts to secure cover and reduce spills
- Ideal for wall mount pumps or spray packages



226086

224572

243340

| Part No. | Size | Description | Drive | KW (HP) | Length cm (in) | Material | Manual | Notes |
|----------|---------------|---------------------------------------|-------|-------------|-------------------|----------|------------------------|------------------------------------|
| 222695 | 18 l (5 gal) | Round prop | Air | 0.019 (1/4) | 33.6 (13.25) | SST | 307968 | 224571 Agitator and hose |
| 204536 | 18 l (5 gal) | Round prop (3 blade) | Air | 0.019 (1/4) | 33.6 (13.25) | SST | 306565 | 224571 Agitator and metal tube |
| 226086 | 18 l (5 gal) | Pail cover, round prop | Air | 0.019 (1/4) | 33.6 (13.25) | CS | 306670 | 224571 Agitator and CS pail cover |
| 243340 | 18 l (5 gal) | SST pail cover with SST agitator | Air | 0.019 (1/4) | 33.6 (13.25) | SST | 306565 | 224571 Agitator and SST pail cover |
| 245081 | 18 l (5 gal) | SST pail agitator kit for Triton pkgs | Air | 0.37 (0.5) | 33.6 (13.25) | SST | 309305 | |
| 245895 | 18 l (5 gal) | CS pail cover with SST agitator | Air | 0.019 (1/4) | 33.6 (13.25) | CS | 306565 | |
| 224572 | 37 l (10 gal) | Single round prop (3 blade) | Air | 0.019 (1/4) | 43.8 (17.25) | SST | 306565 | |

FRP Accessories

In-line Air Filter and Coalescers

- Reusable filter removes particles down to 5 microns
- Coalescer removes contaminants down to 0.01 microns
- Auto-drain eliminates manual emptying of filters
- Built-in filters change indicator signals replacement to ensure optimal efficiency



| Part No. | Description | Air Inlet in | Air Outlet in | Air Flow Capacity | Maximum Inlet Pressure |
|----------|--|--------------|---------------|-------------------|---------------------------|
| 234405 | Air filter/coalescer assembly (both with auto drain) | 1/2 f (npt) | 1/2 f (npt) | 70 CFM | 12 bar (1.2 MPa, 175 psi) |
| 234402 | Stage 1 - Air filter with automatic drain. Removes water and contaminants down to 3 microns. | 1/2 f (npt) | 1/2 f (npt) | 100 CFM | 12 bar (1.2 MPa, 175 psi) |
| 234397 | Stage 2 - Coalescer with automatic drain. Removes oil and sub-micronic particles down to 0.01 microns. | 1/2 f (npt) | 1/2 f (npt) | 70 CFM | 12 bar (1.2 MPa, 175 psi) |
| 234408 | Air filter with auto drain removes contaminants to 5 microns | 3/4 f (npt) | 3/4 f (npt) | 300 CFM | 12 bar (1.2 MPa, 175 psi) |
| 234409 | Coalescer with auto drain removes particles to 0.01 microns | 3/4 f (npt) | 3/4 f (npt) | 115 CFM | 12 bar (1.2 MPa, 175 psi) |

Instruction Manual: [309919](#)

Fluid Heater Kit

- Variable heating levels for consistent viscosity control
- Approved for hazardous locations
- 500 bar (7250 psi) maximum working pressure
- Stainless steel construction is compatible with polyester resins and coats



| Part No. | Description |
|----------|--------------------------|
| 16N014 | Viscon Heater Kit - 120V |
| 16N015 | Viscon Heater Kit - 240V |

| Part No. | Description |
|----------|--|
| 16N018 | Viscon HP Heater Kit – 120V |
| 16N019 | Viscon HP Heater Kit – 240V |
| 16N016 | Viscon HP Hazardous Location Heater Kit – 120V |
| 16N017 | Viscon HP Hazardous Location Heater Kit – 240V |
| 16N119 | Heater Mount Kit |



ABOUT GRACO

Founded in 1926, Graco is a world leader in fluid handling systems and components. Graco products move, measure, control, dispense and apply a wide range of fluids and viscous materials used in vehicle lubrication, commercial and industrial settings.

The company's success is based on its unwavering commitment to technical excellence, world-class manufacturing and unparalleled customer service. Working closely with qualified distributors, Graco offers systems, products and technology that set the quality standard in a wide range of fluid handling solutions. Graco provides equipment for spray finishing, protective coating, paint circulation, lubrication, and dispensing sealants and adhesives, along with power application equipment for the contractor industry. Graco's ongoing investment in fluid management and control will continue to provide innovative solutions to a diverse global market.

GRACO LOCATIONS

MAILING ADDRESS

P.O. Box 1441
Minneapolis, MN 55440-1441
Tel: 612-623-6000
Fax: 612-623-6777

AMERICAS

MINNESOTA

Worldwide Headquarters
Graco Inc.
88-11th Avenue N.E.
Minneapolis, MN 55413

EUROPE

BELGIUM

European Distribution Center
Graco Distribution BVBA
Industrieterrein-Oude Bunders
Slakweidestraat 31
3630 Maasmechelen,
Belgium
Tel: 32 89 770 700
Fax: 32 89 770 777

ASIA PACIFIC

AUSTRALIA

Graco Australia Pty Ltd.
Suite 17, 2 Enterprise Drive
Bundoora, Victoria 3083
Australia
Tel: 61 3 9468 8500
Fax: 61 3 9468 8599

CHINA

Graco Hong Kong Ltd.
Shanghai Representative Office
Building 7
1029 Zhongshan Road South
Huangpu District
Shanghai 200011
The People's Republic of China
Tel: 86 21 649 50088
Fax: 86 21 649 50077

INDIA

Graco Hong Kong Ltd.
India Liaison Office
Room 432, Augusta Point
Regus Business Centre 53
Golf Course Road
Gurgaon, Haryana
India 122001
Tel: 91 124 435 4208
Fax: 91 124 435 4001

JAPAN

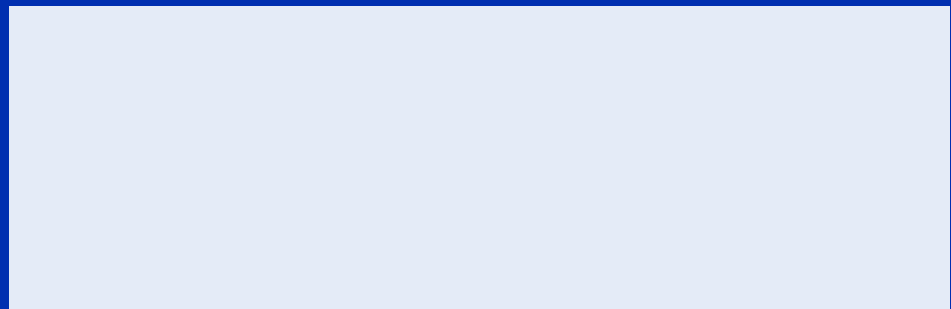
Graco K.K.
1-27-12 Hayabuchi
Tsuzuki-ku
Yokohama City, Japan 2240025
Tel: 81 45 593 7300
Fax: 81 45 593 7301

KOREA

Graco Korea Inc.
38, Samsung 1-ro 1-gil
Hwaseong-si, Gyeonggi-do, 18449
Republic of Korea
Tel: 82 31 8015 0961
Fax: 82 31 613 9801

All written and visual data contained in this document are based on the latest product information available at the time of publication. Graco reserves the right to make changes at any time without notice.

Graco is certified ISO 9001.



Europe
+32 89 770 700
FAX +32 89 770 777
WWW.GRACO.COM