

VM ONE
 Disponibil cu margini in alb sau argintiu
 Sistem de afisare prin coala A 4,A3,A2,A1;A0
POZITIE DE FIXARE

Vertical sau orizontala

EXPUNERE

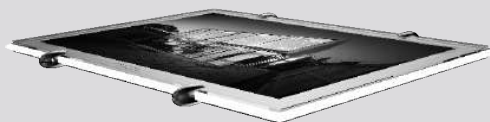
Fața & Verso

SISTEM DE MONTARE

Prin suporturi exterioare cromate

LED TECHNOLOGY

SLIMLINE
 10mm thick



TECHNICAL SPECIFICATIONS



Colors
 Couple chrome (front)
 & white



Low voltage
 24 Volts

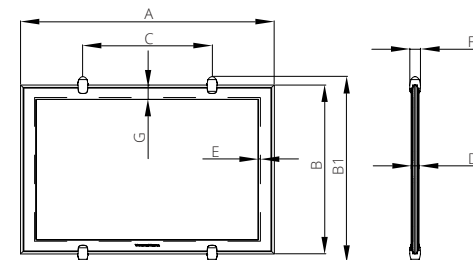


Brightness
 6500 LUX (A4)



Up to 80,000 hours of use -
 98 LEDs (A4)

DIMENSIONS (mm)



| | A4 | A3 | A2 | A1 | A | B |
|----|-------|-------|-------|-------|-------|-------|
| A | 334 | 457 | 631 | 878 | 316 | 469 |
| B | 247 | 334 | 457 | 631 | 253 | 316 |
| B1 | 271.6 | 358.6 | 481.6 | 655.6 | 277.6 | 340.6 |
| C | 170 | 170 | 170 | 170 | 170 | 170 |
| D | 10 | 10 | 10 | 12 | 10 | 10 |
| E | 2.5 | 2.5 | 2.5 | 2.5 | 2.5 | 2.5 |
| F | 14 | 14 | 14 | 15 | 14 | 14 |
| G | 16.5 | 16.5 | 16.5 | 16.5 | 16.5 | 16.5 |

50 route de la Reine,
 92100 Boulogne-Billancourt/France
 T+33 (01)49 21 00 61/F+33 (01) 70 24 85 59 /
 E contact@vitrinemedia.com/www.vitrinemedia.com



ONE LIGHT VICTORY
 Partnership With VitrineMedia

Licença AMI nº 4252

Leiria

Tel. 244 800 550



RE/MAX

Líder em Serviços Imobiliários

MAIS IMÓVEIS QUE A RE/MAX

NINGUÉM NO MUNDO VENDE

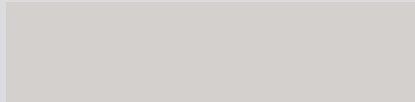
RE/MAX
42



RE/MAX
LEIRIA



VI ONE HEADER



VM ONE BANNER
Disponibil cu margini in alb sau argintiu
Sistem de afisare prin coala

POZITIE DE FIXARE

Orizontal

EXPUNERE

Fața & Verso

SISTEM DE MONTARE

Prin suporturi exterioare cromate

TECHNICAL SPECIFICATIONS



Colors
 Couple chrome (front)
 & white



Low voltage
 24 Volts

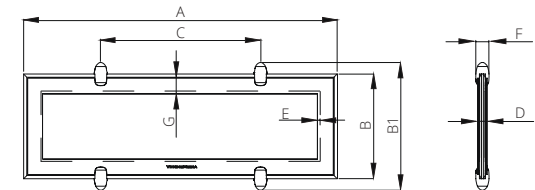


Brightness
 2200 LUX (A4)



Up to 80 000 hours of use -
 28 LEDs (A4)

DIMENSIONS (mm)



| | A4 | A3 |
|----|-------|-------|
| A | 334 | 457 |
| B | 112 | 112 |
| B1 | 136.6 | 136.6 |
| C | 170 | 170 |
| D | 10 | 10 |
| E | 2.5 | 2.5 |
| F | 14 | 14 |
| G | 16.5 | 16.5 |

LED TECHNOLOGY

50 route de la Reine,
 92100 Boulogne-Billancourt/France
 T+33 (01)49 21 00 61/F+33 (01) 70 24 85 59 /
 E contact@vitrinemia.com/www.vitrinemia.com



ONE LIGHT VICTORY
Partnership With VitrineMedia



Fastighetsbyrå

Fastighetsbyrå

Fastighetsbyrå



3a Eklanda / Almsdal

Fastighetsbyrå



3a Eklanda / Almsdal

3a Eklanda / Almsdal

3a Eklanda / Almsdal



SLIMLINE
10mm thick



VM TWO TILTED



VM TWO

*Disponibil cu margini in alb, negru au argintiu
Sistem de afisare prin coala A 4,A3,A2,A1;A0*

POZITIE DE FIXARE

Vertical sau Orizantal

EXPUNERE

Fața & Verso

SISTEM DE MONTARE

Prin suporturi in interiorul panoului

TECHNICAL SPECIFICATIONS



Colors
Couple silver (front)
& white
Couple black (front)
& black



Low voltage
24 Volts

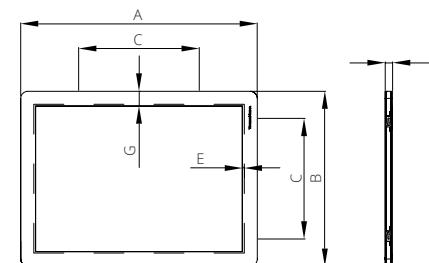


Brightness
6400 LUX (A4)



Up to 80 000 hours of use -
98 LEDs (A4)

DIMENSIONS (mm)



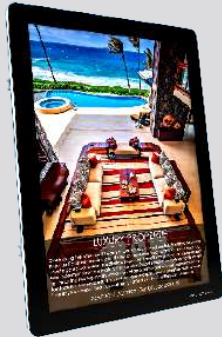
| | A | B | C | E | F | G |
|-------|------|-----|-----|-----|------|----|
| A4 | 334 | 247 | 170 | 2.5 | 10 | 21 |
| A3 | 457 | 334 | 170 | 2.5 | 10 | 21 |
| A2 | 631 | 457 | 170 | 2.5 | 10 | 21 |
| A1 | 878 | 631 | 170 | 2.5 | 12 | 21 |
| A0 | 1251 | 903 | 560 | 4 | 13.5 | 35 |
| A | 316 | 253 | 170 | 2.5 | 10 | 21 |
| B | 469 | 316 | 170 | 2.5 | 10 | 21 |
| 50X70 | 737 | 537 | 170 | 2.5 | 12 | 21 |
| 60X80 | 837 | 637 | 170 | 2.5 | 12 | 21 |

50 route de la Reine,
92100 Boulogne-Billancourt/France
T+33 (01)49 21 00 61/F+33 (01) 70 24 85 59 /
E contact@vitrinemia.com/www.vitrinemia.com



ONE LIGHT VICTORY
Partnership With VitrineMedia





SLIMLINE
10mm thick



LED TECHNOLOGY

VM TWO CLIP

Disponibil cu margini in negru sau argintiu
Sistem de afisare prin coala A 4,A3,A2,A1

POZITIE DE FIXARE

Vertical sau Orizzontal

EXPUNERE

Fața

SISTEM DE MONTARE

Prin suporturi in spatele panoului
Ideal pentru interior

TECHNICAL SPECIFICATIONS



Colors
Couple black (front)
& black
Couple silver (front)
& silver



Low voltage
24 Volts

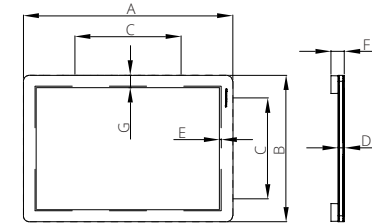


Brightness
3600 LUX (A4)

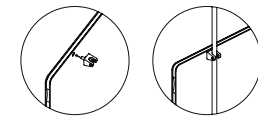


Up to 80 000 hours of use -
56 LEDs (A4)

DIMENSIONS (mm)



| | A4 | A3 | A2 | A1 | A | B |
|---|-----|-----|-----|-----|-----|-----|
| A | 334 | 457 | 631 | 878 | 316 | 469 |
| B | 247 | 334 | 457 | 631 | 253 | 316 |
| C | 170 | 170 | 170 | 170 | 170 | 170 |
| D | 10 | 10 | 10 | 12 | 10 | 10 |
| E | 2.5 | 2.5 | 2.5 | 2.5 | 2.5 | 2.5 |
| F | 21 | 21 | 21 | 30 | 21 | 21 |
| G | 21 | 21 | 21 | 21 | 21 | 21 |



* VM TWO CLIP A1 is delivered with 4 VM TWO CLIP SECURE FIX clamps

50 route de la Reine,
92100 Boulogne-Billancourt/France
T+33 (01)49 21 00 61/F+33 (01) 70 24 85 59 /
E contact@vitrinemia.com/www.vitrinemia.com



ONE LIGHT VICTORY
Partnership With VitrineMedia



VM PANORAMIC BANNER



LED TECHNOLOGY

VM TWO PANORAMIC

Disponibil cu margini in alb, negru sau argintiu
Sistem de afisare prin coala

POZITIE DE FIXARE

Vertical sau Orizontal

EXPUNERE

Fața & Verso

SISTEM DE MONTARE

Prin suporturi in interiorul panoului

TECHNICAL SPECIFICATIONS



Colors
Couple silver (front)
& white
Couple black (front)
& black



Low voltage
24 Volts

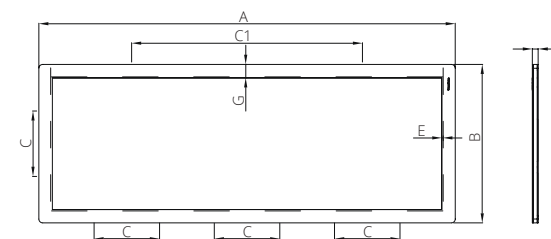


Brightness
3500 LUX (S)
4000 LUX (L)



Up to 80,000 hours of use -
384 LEDs (A4)

DIMENSIONS (mm)



| | S | L |
|----|------|------|
| A | 1082 | 1454 |
| B | 412 | 412 |
| C | 170 | 170 |
| C1 | 600 | 600 |
| E | 4 | 4 |
| F | 12 | 12 |
| G | 35 | 35 |

* S : Visual dimension (mm) : 1020x350
Visible dimension (mm) : 1012x342

L : Visual dimension (mm) : 1392x350
Visible dimension (mm) : 1384x342

50 route de la Reine,
92100 Boulogne-Billancourt/France
T+33 (01)49 21 00 61/F+33 (01) 70 24 85 59 /
E contact@vitrinemedias.com/www.vitrinemedias.com



ONE LIGHT VICTORY
Partnership With VitrineMedia

Björgvin Eiendomsmegling

CAPPADOCE
À partir de
639€

BALI 899€
NORVEGE
AMSTERDAM 399€
NORVEGE
NORVEGE
NORVEGE
BALI 899€
AMSTERDAM
BALI 899€

Björgvin Eiendomsmegling



SLIMLINE
10mm thick



C2 MAX

*Disponibil cu margini in argintiu
Sistem de afisare prin coala A 4,A3,A2,A1*

POZITIE DE FIXARE

Orizantal

EXPUNERE

Fața & Verso

SISTEM DE MONTARE

Prin suporturi exterioare cromate

TECHNICAL SPECIFICATIONS



Colors
Couple silver (front)
& silver



Low voltage
24 Volts

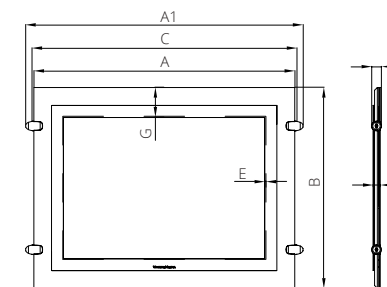


Brightness
7000 LUX (A4)



Up to 80 000 hours of use -
98 LEDs (A4)

DIMENSIONS (mm)

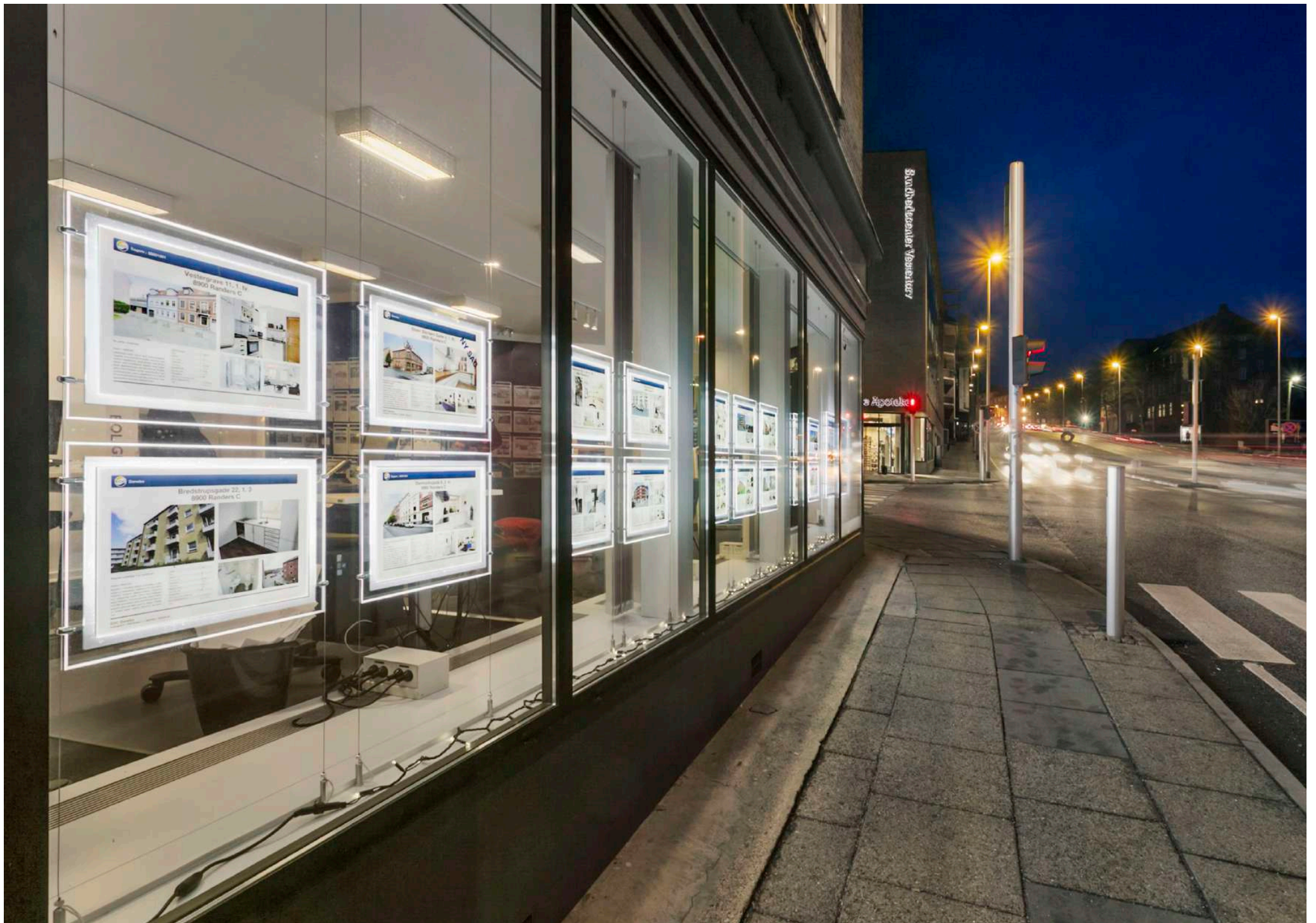


| | A4 | A3 | A2 | A1 |
|----|-------|-------|-------|-------|
| A | 379 | 502 | 676 | 923 |
| A1 | 403 | 526 | 700 | 947 |
| B | 292 | 379 | 502 | 676 |
| C | 385.5 | 508.6 | 682.6 | 929.6 |
| D | 10 | 10 | 10 | 12 |
| E | 2.5 | 2.5 | 2.5 | 2.5 |
| F | 14 | 14 | 14 | 15 |
| G | 43.5 | 43.5 | 43.5 | 43.5 |

50 route de la Reine,
92100 Boulogne-Billancourt/France
T+33 (01)49 21 00 61/F+33 (01) 70 24 85 59 /
E contact@vitrine-media.com/www.vitrine-media.com



ONE LIGHT VICTORY
Partnership With VitrineMedia





SLIMLINE
10mm thick



NEW I MAX

*Disponibil cu margini in negru
Sistem de afisare prin coala A 4,A3,A2,A1;A0*

POZITIE DE FIXARE

Orizantal

EXPUNERE

Fața & Verso

SISTEM DE MONTARE

Prin suporturi exterioare cromate

TECHNICAL SPECIFICATIONS



Colors
Couple black (front)
& black



Low voltage
24 Volts

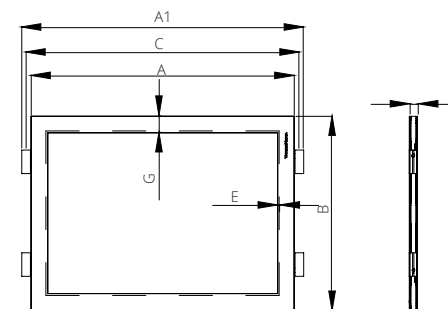


Brightness
6000 LUX (A4)



Up to 80,000 hours of use -
98 LEDs (A4)

DIMENSIONS (mm)



| | A4 | A3 | A2 | A1 | A0 |
|----|-----|-----|-----|-----|------|
| A | 334 | 457 | 631 | 878 | 1251 |
| A1 | 358 | 481 | 655 | 902 | - |
| B | 247 | 334 | 457 | 631 | 903 |
| C | 342 | 465 | 639 | 886 | 560 |
| E | 2.5 | 2.5 | 2.5 | 2.5 | 4 |
| F | 10 | 10 | 10 | 12 | 13.5 |
| G | 21 | 21 | 21 | 21 | 35 |

* A0 format is equipped with the same clamps as VM TWO A0, no lateral clamps

50 route de la Reine,
92100 Boulogne-Billancourt/France
T+33 (01)49 21 00 61/F+33 (01) 70 24 85 59 /
E contact@vitrine-media.com/www.vitrine-media.com



ONE LIGHT VICTORY
Partnership With VitrineMedia



Skeppsholmen
Skeppsholmen
Sotheby's
INTERNATIONAL REALTY

Skeppsholmen
Skeppsholmen
Sotheby's
INTERNATIONAL REALTY

Skeppsholmen
Skeppsholmen
Sotheby's
INTERNATIONAL REALTY

Skeppsholmen
Skeppsholmen
Sotheby's
INTERNATIONAL REALTY
Hisinge Slott, Västerhaninge
Pris på förfrågan

Skeppsholmen
Skeppsholmen
Sotheby's
INTERNATIONAL REALTY
Oxenstiernsgatan 35, Östermalm
12.900.000 kr / bud

WWW.SKEPPSHOLMEN.SE

WWW.SKEPPSHOLMEN.SE



SLIMLINE
13mm thick



VM LIGHT

*Disponibil cu margini in argintiu
Sistem de afisare prin coala A 4,A3,A2,A1;A0*

POZITIE DE FIXARE
Orizontal

EXPUNERE
Fața & Verso

SISTEM DE MONTARE
Prin suporturi exterioare cromate

TECHNICAL SPECIFICATIONS



Colour
Brushed aluminium



Low voltage
24 Volts

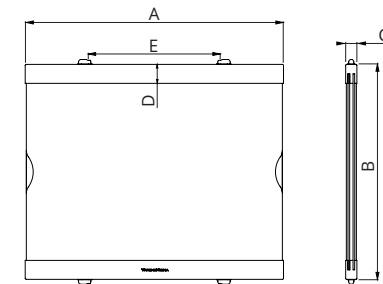


Brightness
2800 LUX



80,000 hours of use
16 LED (A4)
New Generation

DIMENSIONS (mm)



| | A4H | A4V | A3H |
|---|-----|-----|-----|
| A | 300 | 213 | 423 |
| B | 250 | 337 | 337 |
| C | 13 | 13 | 13 |
| D | 22 | 22 | 22 |
| E | 170 | 170 | 170 |

50 route de la Reine,
92100 Boulogne-Billancourt/France
T+33 (0)149 21 00 61/F+33 (0)1 70 24 85 59 /
E contact@vitrinemedias.com/www.vitrinemedias.com



ONE LIGHT VICTORY
Partnership With VitrineMedia

MÆGLERHUSET

MÆGLER
HUSET

MÆGLER
HUSET



MÆGLER
HUSET



FRA HJEM TIL HJEM

VI SØGER
BOLIGER



MÆGLER
HUSET

FRA HJEM TIL HJEM

ADMINISTRATØR
Lene 8200
Trine 8500
Christine 8200
Lene 8500
Lene 8500
Lene 8500
Lene 8500
Lene 8500
Lene 8500



FRA HJEM TIL HJEM

BOLIGMARKEDET



VM LIGHT & PLAY
 Disponibil cu margini in negru
 Sistem de afisare prin redare video

POZITIE DE FIXARE
 Vertical sau Orizontal

EXPUNERE
 Fața

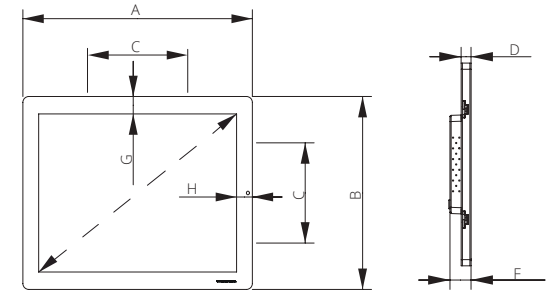
SISTEM DE MONTARE
 Prin suporturi in interiorul panoului

TECHNICAL SPECS



Colour
black

DIMENSIONS (mm)



| | 17 inches | 18.5 inches | 21.5 inches |
|---|-----------|-------------|-------------|
| A | 390 | 462 | 527 |
| B | 328 | 286 | 323 |
| C | 170 | 170 | 170 |
| D | 16 | 16 | 16 |
| F | 34 | 34 | 34 |
| G | 30 | 29 | 29 |
| H | 27 | 27 | 26 |

50 route de la Reine,
 92100 Boulogne-Billancourt/France
 T+33 (01)49 21 00 61/F+33 (01) 70 24 85 59 /
 E contact@vitrine-media.com/www.vitrine-media.com

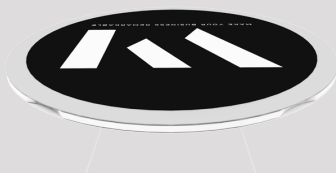


ONE LIGHT VICTORY
 Partnership With VitrineMedia

CAPPADOCE

À partir de
639€





VM SIGN Ø 60

*Disponibil cu margini in alb sau argintiu
Sistem de afisare prin coala R 56,8 cm*

POZITIE DE FIXARE

*Vertical
EXPUNERE*

Fața & Verso

SISTEM DE MONTARE

Prin suporturi in interiorul panoului

TECHNICAL SPECIFICATIONS



Color
silver (one side)
white (one side)



Low voltage
24 Volts

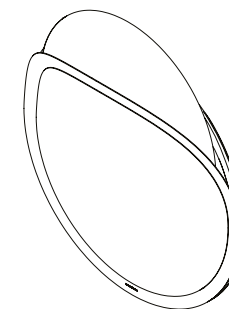
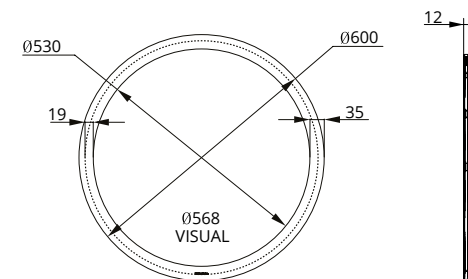


Brightness
3200 LUX



Up to 80,000 hours of use -
210 LEDs

DIMENSIONS (mm)



50 route de la Reine,
92100 Boulogne-Billancourt/France
T+33 (01)49 21 00 61/F+33 (01) 70 24 85 59 /
E contact@vitrine-media.com/www.vitrine-media.com



ONELIGHT VICTORY
Partnership With VitrineMedia



VI MOBILE STAND EASY CLIP

LED TECHNOLOGY



MOBILE STAND EASY CLIP

Suport portabil cu baza fixa

EXPUNERE

Fața & Verso

COMPONENTE

VM CLIP (formate A4,A3,A2)



TECHNICAL SPECIFICATIONS



Color
Black mat



Low voltage
24 Volts

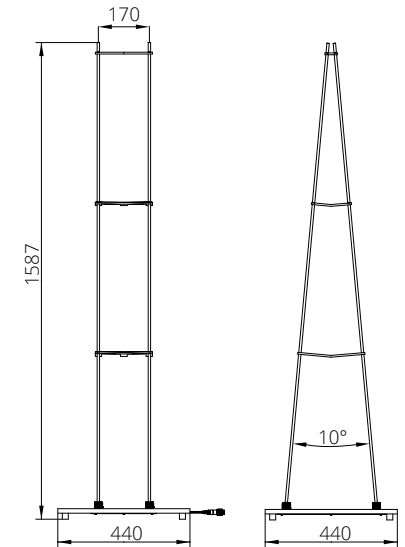


Compatibility LED display
VI TWO CLIP
VI SUPERLIGHT
A4 ✓ A3 ✓ A2 ✓



Compatibility LCD display
VI LIGHT&PLAY
17" ✓ 18.5" ✓ 21.5" ✓

DIMENSIONS (mm)



ONELIGHT VICTORY Partnership With VitrineMedia

50 route de la Reine,
92100 Boulogne-Billancourt
France
T+33 (01)49 21 00 61 F+33 (01) 70 24 85 59
E contact@vitrinemedi.com
www.vitrinemedi.com







VM BOX
Suport portabil cu baza rotabila

EXPUNERE
Fața

COMPONENTE
VM CLIP, VM LIGHT&PLAY



TECHNICAL SPECIFICATIONS



Color
Black mat



Low voltage
24 Volts

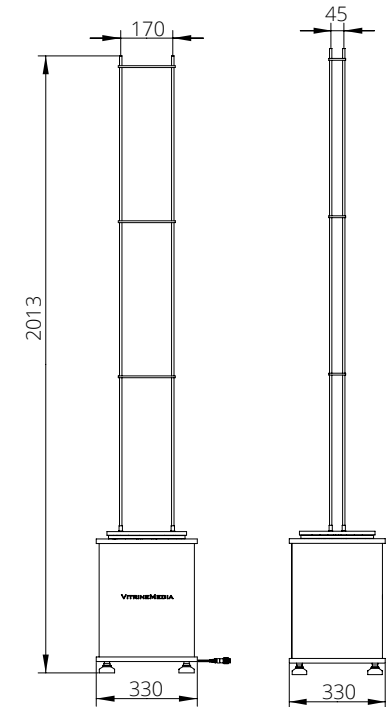


Compatibility LED display
VI TWO CLIP
A4 ☑ A3 ☑



Compatibility LCD display
VI LIGHT&PLAY
17" ☑ 18.5" ☑ 21.5" ☑

DIMENSIONS (mm)



ONE LIGHT VICTORY
Partnership With VitrineMedia

50 route de la Reine,
 92100 Boulogne-Billancourt
 France
 T+33 (0)149 21 00 61 F+33 (0)1 70 24 85 59
 E contact@vitrinemedia.com
 www.vitrinemedia.com





VI STAND 180

LED TECHNOLOGY



STAND 180 °

*Suport portabil cu baza
Sistem de afisare prin coala A2*

EXPUNERE

Fața

POZITIE DE FIXARE

Vertical sau orizontal

POZITIE EXPUNERE

0 ° - 180 °

COMPONENTE

VM CLIP, VM LIGHT & PLAY

TECHNICAL SPECIFICATIONS



Colour
black



Low voltage
24 Volts

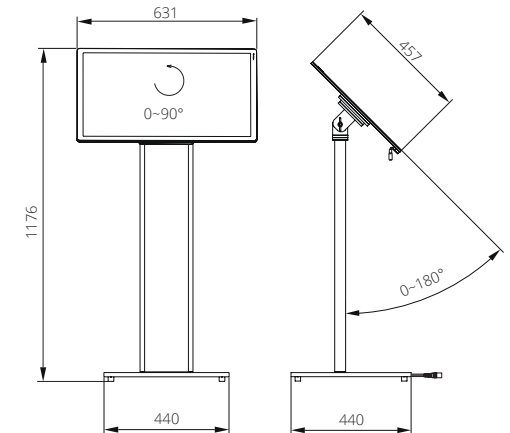


Brightness
1800 LUX



Up to 80 000 hours of use -
112 LEDs (A2)

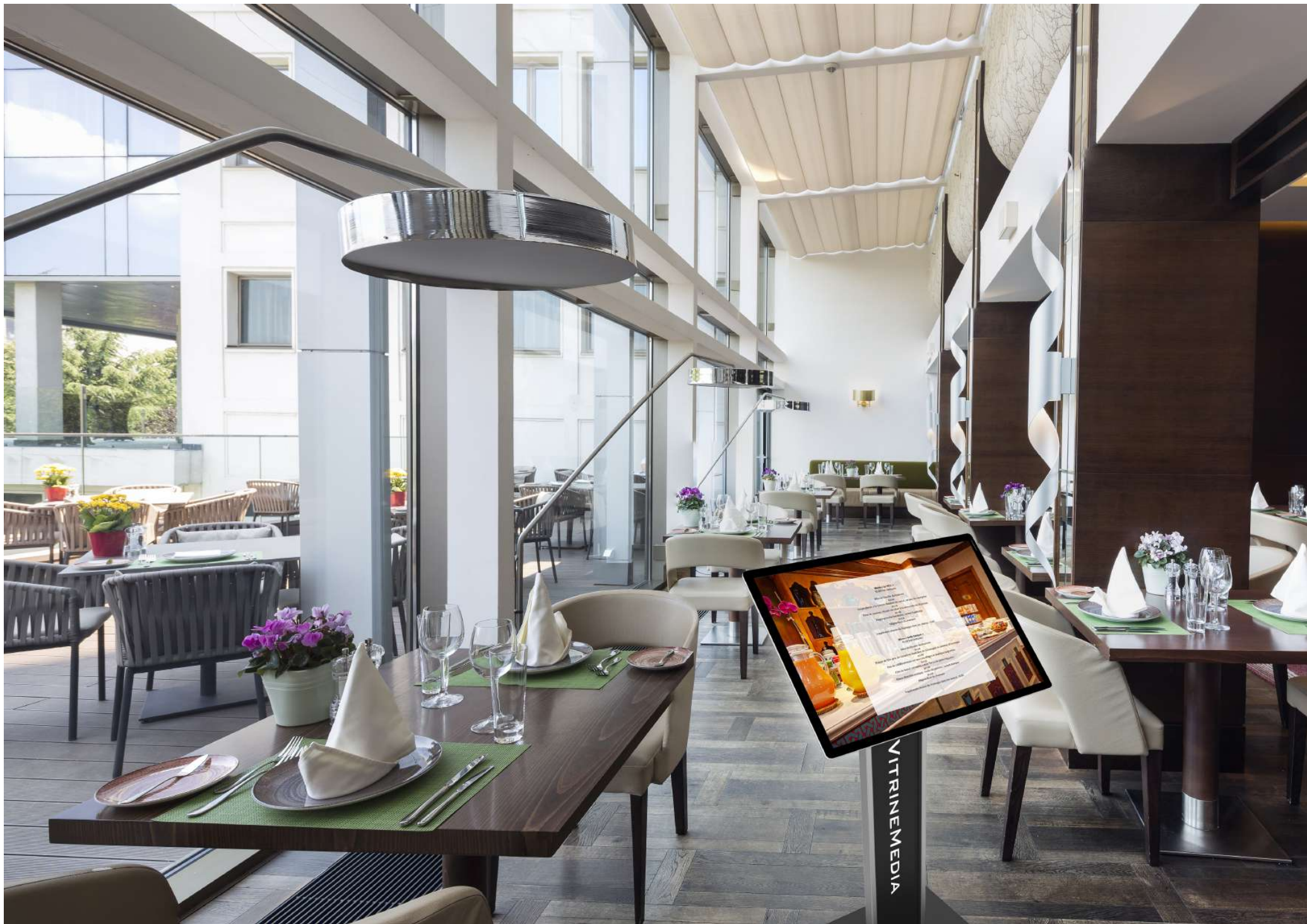
DIMENSIONS (mm)



ONE LIGHT VICTORY
Partnership With VitrineMedia

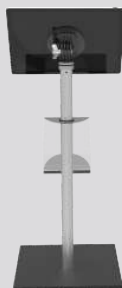
50 route de la Reine,
92100 Boulogne-Billancourt/France
T+33 (01)49 21 00 61/F+33 (01) 70 24 85 59 /
E contact@vitrinemediacom/www.vitrinemediacom





VM DOCUMENT HOLDER

LED TECHNOLOGY



DOCUMENT HOLDER

*Suport portabil cu baza
Sistem de afisare prin coala A3*

EXPUNERE

Fața

POZITIE DE FIXARE

Vertical sau orizontal

POZITIE INCLINARE

0 ° - 180 °

COMPONENTE

VM CLIP, VM LIGHT & PLAY

TECHNICAL SPECIFICATIONS



Colour
black



Low voltage
24 Volts

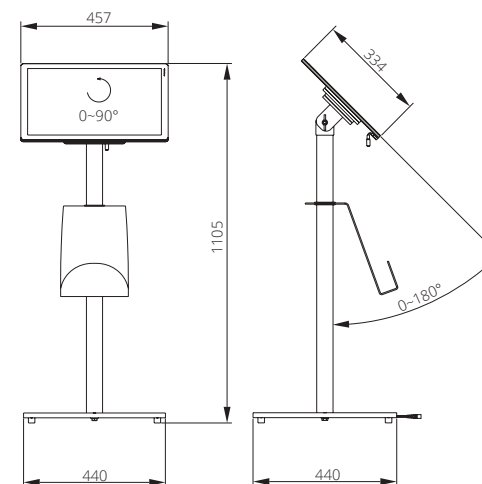


Brightness
3500 LUX



Up to 80 000 hours of use -
84 LEDs (A3)

DIMENSIONS (mm)



50 route de la Reine,
92100 Boulogne-Billancourt/France
T+33 (01)49 21 00 61/F+33 (01) 70.24 85 59 /
E contact@vitrinemediacom/www.vitrinemediacom



ONE LIGHT VICTORY
Partnership With VitrineMedia



21ST CENTURY
PERFORMANCE

300 MILES
ON A SINGLE CHARGE

Beta Prototype Vehicle

VITRINE MEDIA

ILUMINE

SU NEGOCIO

Compartir mejor y vender más

¿Qué es Vitrina Media?

Es una herramienta que permite a los negocios compartir sus productos y servicios de manera efectiva y eficiente.

Con Vitrina Media puedes:

- Compartir tus productos y servicios de manera efectiva y eficiente.

- Generar leads y aumentar tus ventas.

- Mejorar tu imagen de marca.

- Conectar con tus clientes de manera más fácil y rápida.

- Generar contenido de alta calidad para tus redes sociales.

- Mejorar tu SEO y aumentar tu visibilidad en los motores de búsqueda.

- Generar tráfico a tu sitio web y aumentar tus conversiones.

- Mejorar tu experiencia de usuario y aumentar tu satisfacción.

- Generar contenido de alta calidad para tus redes sociales.

W RETAIL PPH / PPS

LED TECHNOLOGY



RETAIL PPH/PPS

Suport portabil cu baza

EXPUNERE

Fața & Verso

POZITIE DE FIXARE

Vertical sau orizontal

POZITIE EXPUNERE

60 °

COMPONENTE

Display special

TECHNICAL SPECIFICATIONS



Colour
white



Low voltage
24 Volts

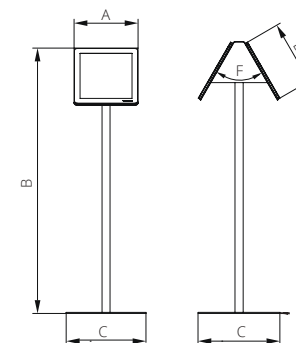


Brightness
5000 LUX



Kit weight
8.4 KG

DIMENSIONS (mm)



| | PPH | PPS |
|---|------|-----|
| A | 240 | 240 |
| B | 1000 | 700 |
| C | 300 | 300 |
| D | 237 | 237 |
| F | 60° | 60° |

50 route de la Reine,
92100 Boulogne-Billancourt/France
T+33 (01)49 21 00 61/F+33 (01) 70 24 85 59 /
E contact@vitrinemedia.com/www.vitrinemedia.com



ONE LIGHT VICTORY
Partnership With VitrineMedia





LED TECHNOLOGY

VM MODEL „Z”
Suport portabil cu baza
Sistem de afisare prin coala A4

EXPUNERE
Fața

POZITIE DE FIXARE
Vertical

POZITIE EXPUNERE
70° - 112°

COMPONENTE
VM CLIP

TECHNICAL SPECIFICATIONS



2 colours
black
white



Low voltage
24 Volts

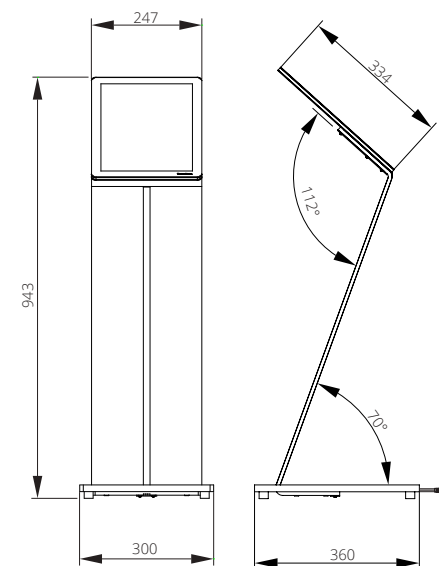


Brightness
5400 LUX



Screen tilting angle
42°

DIMENSIONS (mm)



50 route de la Reine,
92100 Boulogne-Billancourt/France
T+33 (01)49 21 00 61/F+33 (01) 70 24 85 59 /
E contact@vitrine-media.com/www.vitrine-media.com



ONE LIGHT VICTORY
Partnership With VitrineMedia



ENTREPRISE
COSMÉTIQUES
DES BOUTEILLES ET DES FLACONS
% RECYCLAGE POST-CONSOMMATION

LOWER AND PLANT ESSENCES

AVEDA

TESTÉS PAR NOS
PROFESSIONNELS
EN SALONS
PLUS DE 20 000 COIFFEURS
QUALIFÉS AVEA FONT
DE L'ART AU QUOTIDIEN

SOINS DES CHEVEUX

AVEDA

SOINS DES CHEVEUX

AVEDA

ESSENCES

CHEZ AVEA, MA
GOIN DU MOINDR
PRODUITS, SONT
PARTIE DE LA Q
AL VOUS EN
MONTRE DE S
LE MANIE DE L

VM DOCK ESSENTIAL V2



LED TECHNOLOGY

VM DOCK ESSENTIAL
Cu suport pentru birou include baterie litium
Sistem de afisare prin coala A 4
EXPUNERE
Fața
POZITIE
Orizontal
COMPONENTE
VM CLIP

DONNÉES TECHNIQUES



Color
white



Low voltage
24 Volts

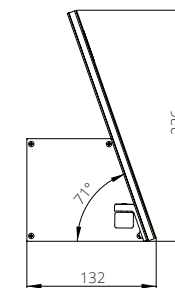
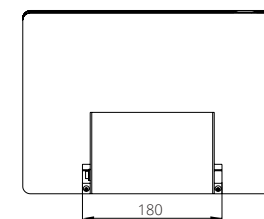


Brightness
3600 LUX
(VM TWO CLIP A4)



Battery autonomy
hours of use : xxxxx

DIMENSIONS (mm)



50 route de la Reine,
92100 Boulogne-Billancourt/France
T+33 (01)49 21 00 61/F+33 (01) 70 24 85 59 /
E contact@vitrinemedias.com/www.vitrinemedias.com

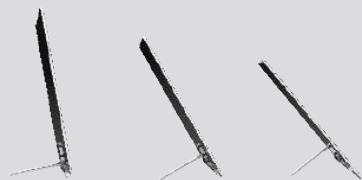


ONE LIGHT VICTORY
Partnership With VitrineMedia



VM SINGLE

LED TECHNOLOGY



VM SINGLE

Cu suport pentru birou

Sistem de afisare prin coala A 4,A3,A2

EXPUNERE

Fața

POZITIE

Vertical sau Orizontal

COMPONENTE

VM CLIP

TECHNICAL SPECIFICATIONS



Colour
Black



Low voltage
24 Volts

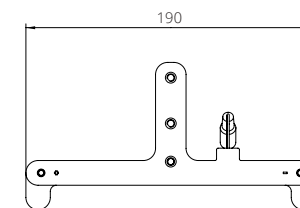
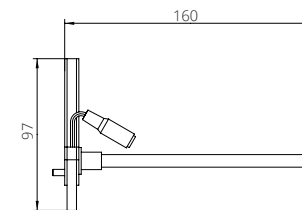


Brightness
3600 LUX



Up to 80 000 hours of use
- 56 LEDs (A4)

DIMENSIONS (mm)



50 route de la Reine,
92100 Boulogne-Billancourt/France
T+33 (01)49 21 00 61/F+33 (01) 70 24 85 59 /
E contact@vitrinemediacom/www.vitrinemediacom



ONE LIGHT VICTORY
Partnership With VitrineMedia

