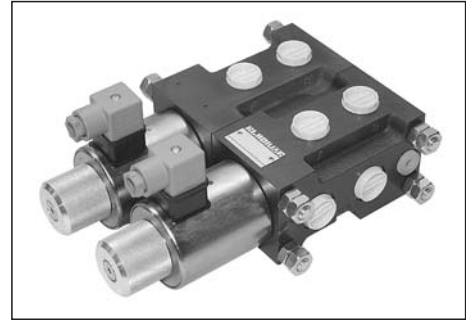


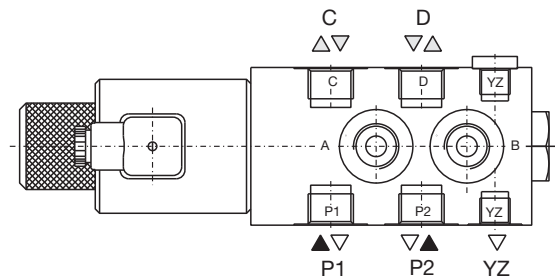
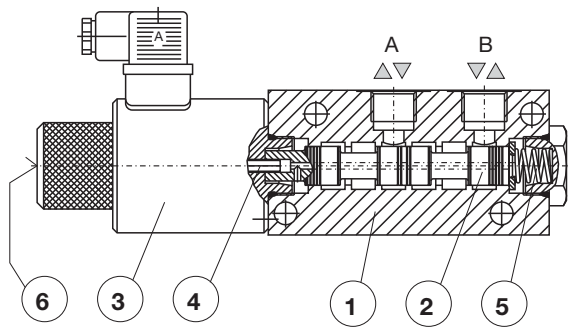
6/2-WAY DIRECTIONAL VALVES type KVH

- NS 10
- to 315 bar
- to 120 l/min
- Direct operation by solenoid
- Plug-in connector for solenoids to ISO 4400
- Threaded connection to ISO 9974, ISO 1179
- Protection of solenoid IP65 to EN 50529 / IEC 60529



KVH-6/2-10-N2

Description of operation



Directional valves type KVH with direct solenoid operation control the direction of the hydraulic medium flow. They are mostly used as link between two consumers and the basic directional valve, when we want to control both consumers alternately by means of one basic directional valve.

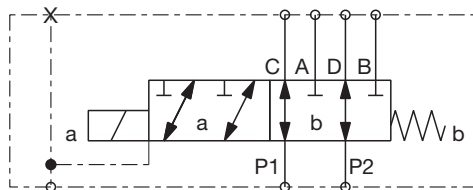
The KVH type directional valves consist of a housing (1), a control spool (2), a solenoid (3) and a return spring (5).

Change-over to the operating position is done by energising the solenoid (3), whereby the solenoid plunger acts on the control spool (2) via the operating pin (4), thus clearing the corresponding flow ways and establishing respective links between the ports P1, A, B and P2.

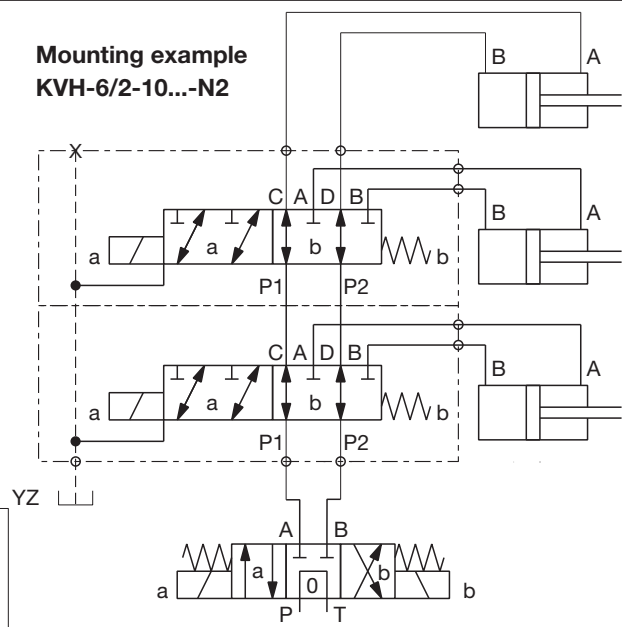
When the solenoid (3) is de-energised, the control spool (2) is returned to its neutral position by the return spring (5), thus establishing again the links between ports P1, C, D and P2.

The change-over can also be done manually by pressing the emergency hand operator (6).

Symbol



**Mounting example
KVH-6/2-10...-N2**



Tehcnical data

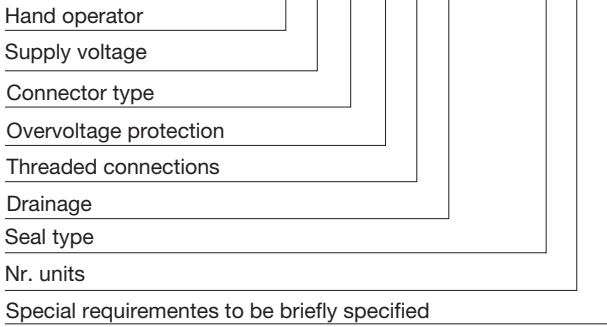
		Hydraulic	
Size			10
Flow rate		l/min	120
Operating pressure	with YZ	bar	315
	without YZ	bar	250
Oil temperature range		°C	-20 to +70
Viscosity range		mm ² /s	15 to 380
Mounting position	optional		
Mass	kg		5,5
Filtration	NAS 1638		8

Electrical

Supply voltage	V	12, 24 DC
Power	W	45
Switching frequency	1/h	15000
Ambient temperature	°C	to +50
Coil temperature	°C	to +180
Duty cycle	continious	

Ordering code

KVH - 6/2 - 10 - - - - - S40 - - - *



Hand operator

without hand operator = no desig.
 with hand operator = G

Supply voltage

direct voltage 24 V = no desig.
 direct voltage 12 V = 12DC

Connector type

EN 175301-803 without signal lamp = no desig.
 EN 175301-803 with signal lamp = L
 EN 175301-803 without connector = K
 AMP junior timer without connector = M

Overvoltage

without overvoltage protection = no desig.
 with overvoltage protection = T

Threaded connections M / YZ

M22x1,5 / M14x1,5 = M22
 M27x2 / M14x1,5 = M27
 G1/2 / G1/4 = G1/2
 G3/4 / G1/4 = G3/4

Drainage

without YZ = no desig.
 with YZ = YZ

Seal type

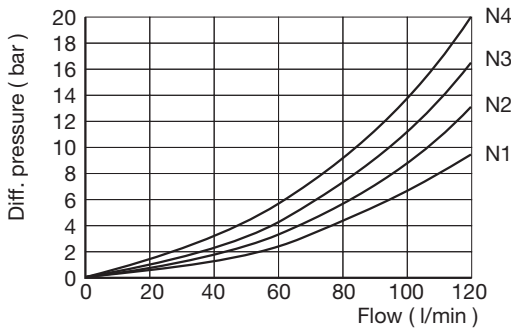
NBR seals for mineral oil HL, HLP to DIN 51524 = no desig.
 FPM seals for HETG, HEES, HEPG to VDMA 24568 = E
 and ISO 15380

Nr. units

one unit (n=1) = N1
 two units (n=2) = N2
 three units (n=3) = N3
 four units (n=4) = N4

Δp - Q Performance curves G3/4

(measured at t = 50 °C and ν = 32 mm²/s)



Dimensions (mm)

