

BUTTERFLY VALVES

Butterfly valves

ITEM 490,492,493,494 - Stainless steel butterfly valve with ISO 228/1 threaded, butt welded DIN 11851 ends, CLAMP

features

valve codes in standard execution

diagram and starting torque

dimensions and materials

drives



Features

Standard executions:

The valve is manufactured in AISI 304 stainless steel and it's suitable for food industries.

Working temperature: from 0°C to + 150°C

Working pressure: PN 6

Fluid range: food industry.

Connections: - GAS threads as per DIN/ISO 228/1;

- DIN 11851 threads for food industry;

- to be butt-welded as per DIN 11850-1;

- Clamp BS 4825

Surface treatment: polished.

On request:

Threaded SMS 1146

Threaded MACON

Clamp DIN 32676

Clamp ISO 2852

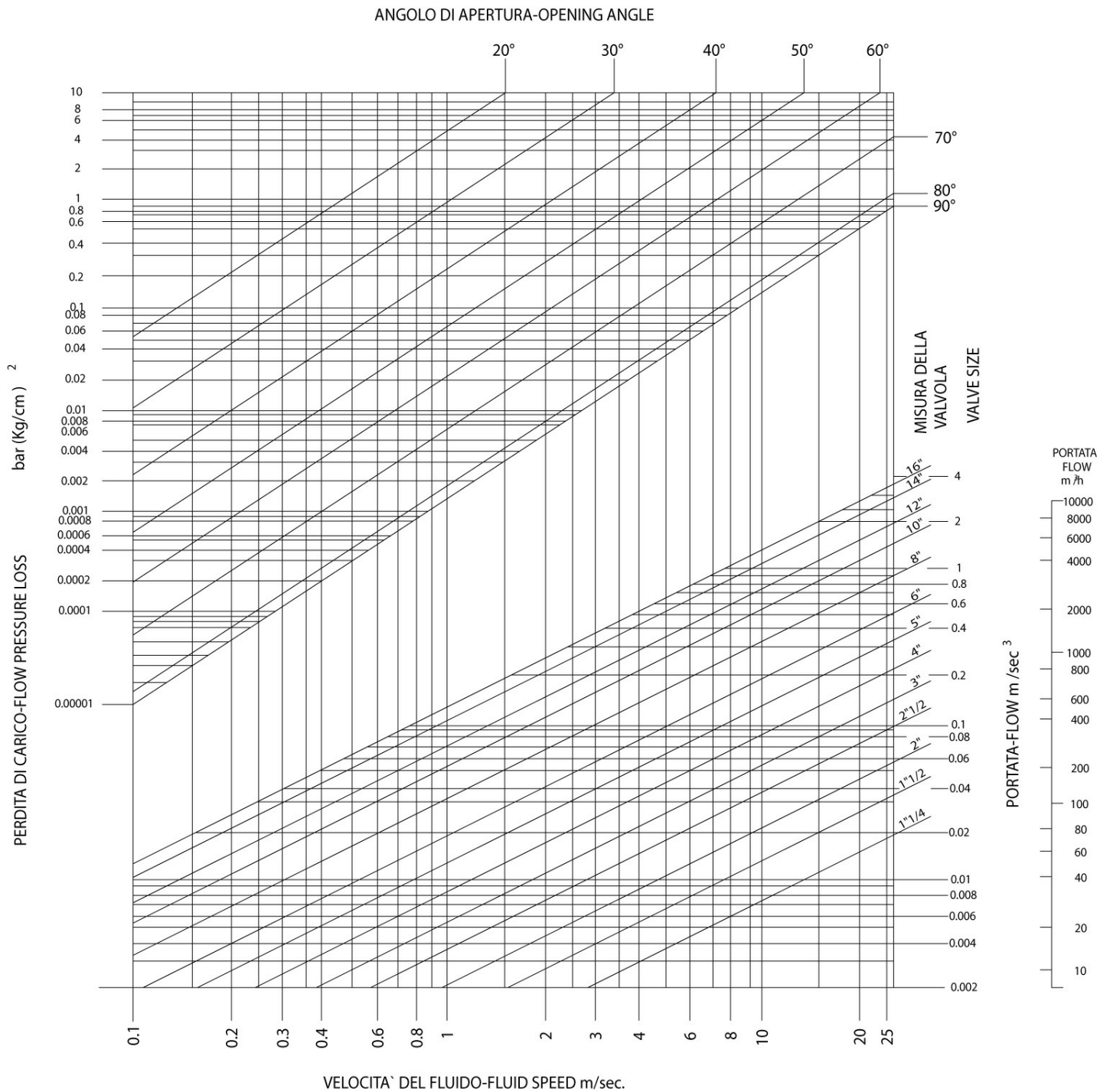
For other applications, please contact our technical department.

Valve codes in standard execution

Valve codes in standard execution

size	DN 25 - 1"	DN 32- 1"1/4	DN 40 - 1"1/2	DN 50 - 2"	DN 65 - 2"1/2	DN 80 - 3"	DN 100 - 4"
Free shaft threaded DIN ISO 228/1	V490X406	V490X407	V490X408	V490X409	V490X410	V490X411	V490X412
Free shaft threaded DIN 11851	V492X636	V492X637	V492X638	V492X639	V492X640	V492X641	V492X642
Free shaft butt weld	V493X756	V493X757	V493X758	V493X759	V493X760	V493X731	V493X762
Free shaft CLAMP BS 4825	V494X006	-----	V494X008	V494X009	V494X010	V494X011	V494X012
weight Kg.	0,8	0,9	1,4	1,9	2,2	2,7	4
with lever DIN ISO 228/1	L490X406	L490X407	L490X408	L490X409	L490X410	L490X411	L490X412
with lever DIN 11851	L492X636	L492X637	L492X638	L492X639	L492X640	L492X641	L492X642
with lever butt weld	L493X756	L493X757	L493X758	L493X759	L493X760	L493X761	L493X762
with lever CLAMP BS 4825	L494X006	-----	L494X008	L494X009	L494X010	L494X011	L494X012
weight Kg.	0,95	1,05	1,55	2,1	2,4	2,9	4,3
Seals kit (ITEM 490-492-493)	KGBV7006	KGBV7007	KGBV7008	KGBV7009	KGBV7010	KGBV7011	KGBV7012
Seals kit (ITEM 494)	KGBV7206	KGBV7207	KGBV7208	KGBV7209	KGBV7210	KGBV7211	KGBV7212

Diagram and starting torque

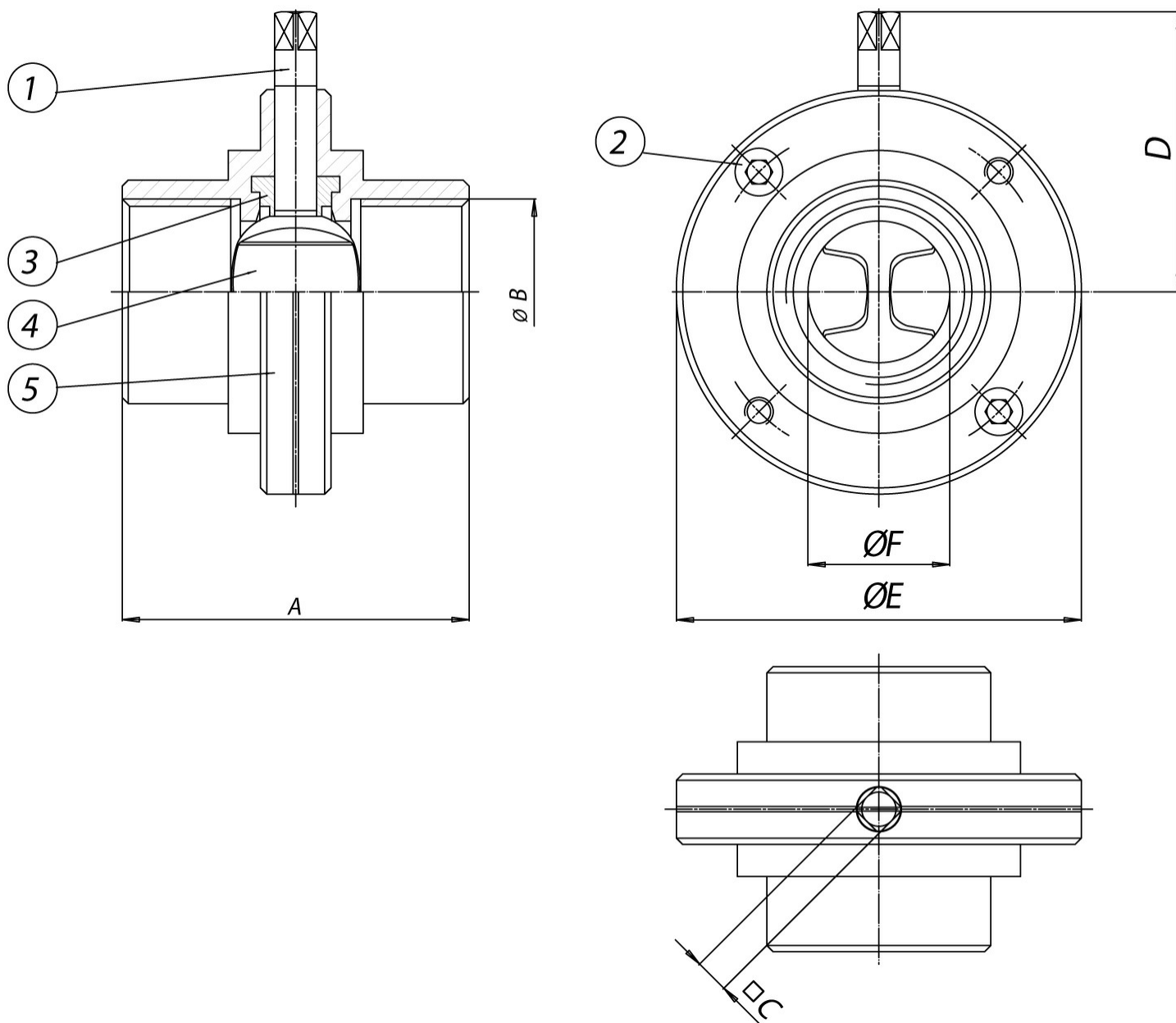


Size	DN 25 1"	DN 32 1"1/4	DN 40 1"1/2	DN 50 2"	DN 65 2"1/2	DN 80 3"	DN 100 4"
PN 6 bar	7	9	15	18	29	43	65

Torque can vary depending on temperature and type of fluid; a safety factor of 1.4 must be applied. Torque can drop on high frequency of operations. The actuator/valve sizing, indicated on the following pages, are based for valves to be used with liquids or gaseous fluids, clean, and for medium temperatures. For further information, or different uses please contact our technical department.

Dimensions and materials - ITEM 490

VALVE TYPE 490 ISO 228/1

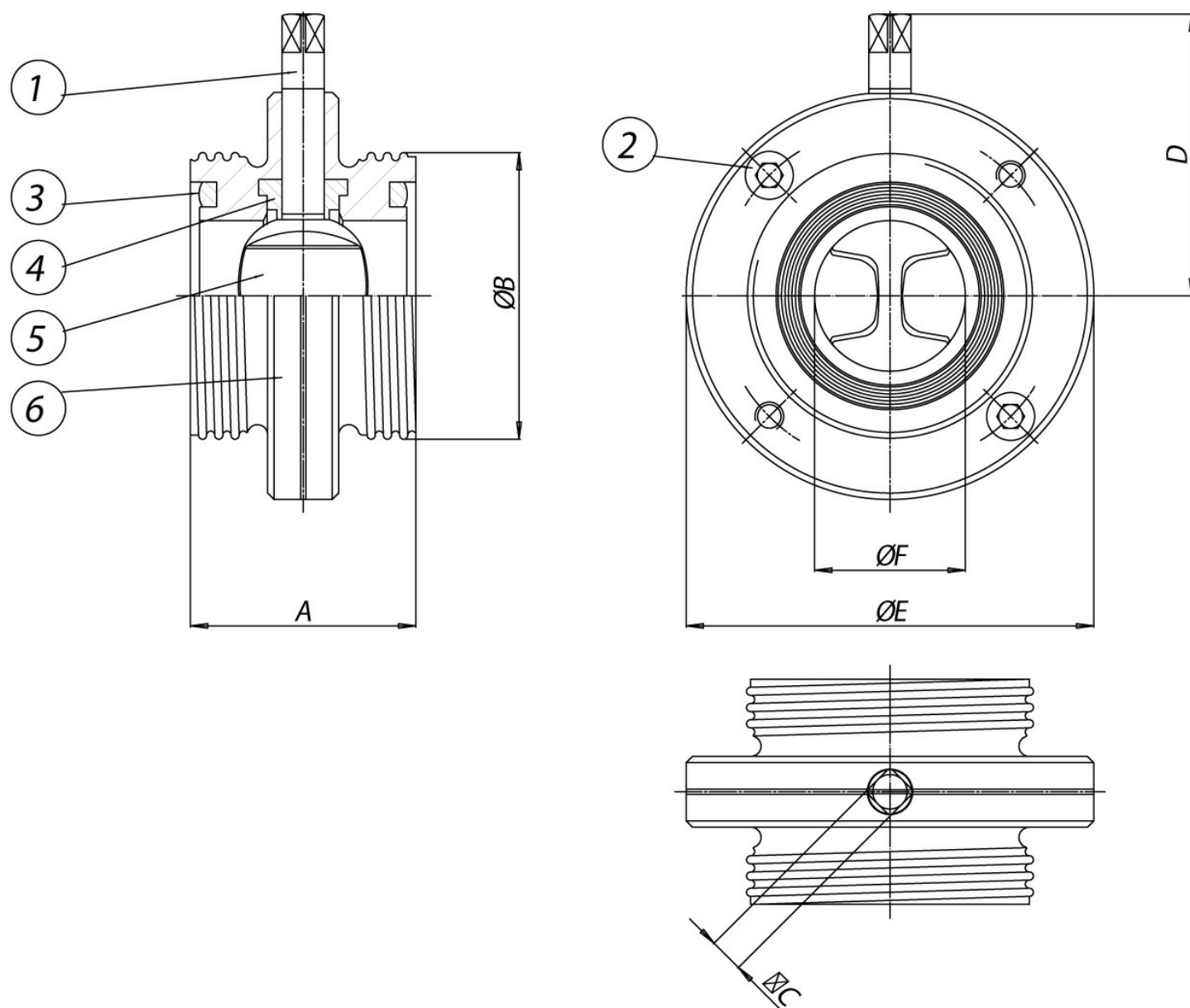


DIMENSIONS						
Size	A	B	C	D	øE	øF
DN 25 - 1"	68	1"	9	57	79	25
DN 32 - 1"1/4	76	1 1/4"	9	62	85	32
DN 40 - 1"1/2	76	1 1/2"	9	64	92	40
DN 50 - 2"	80	2"	9	70	105	50
DN 65 - 2"1/2	82	2 1/2"	9	80	125	65
DN 80 - 3"	84	3"	11	89	137	80
DN 100 - 4"	88	4"	11	101	157	100

MATERIALS

1) Shaft	AISI 304	14.301	UNI X5CrNi 18 10
2) Screws	AISI 304	14.301	UNI X5CrNi 18 10
3) Seals	Silicon		
4) Butterfly	AISI 304	14.301	UNI X5CrNi 18 10
5) Ends	AISI 304	14.301	UNI X5CrNi 18 10

Dimensions and materials - ITEM 492



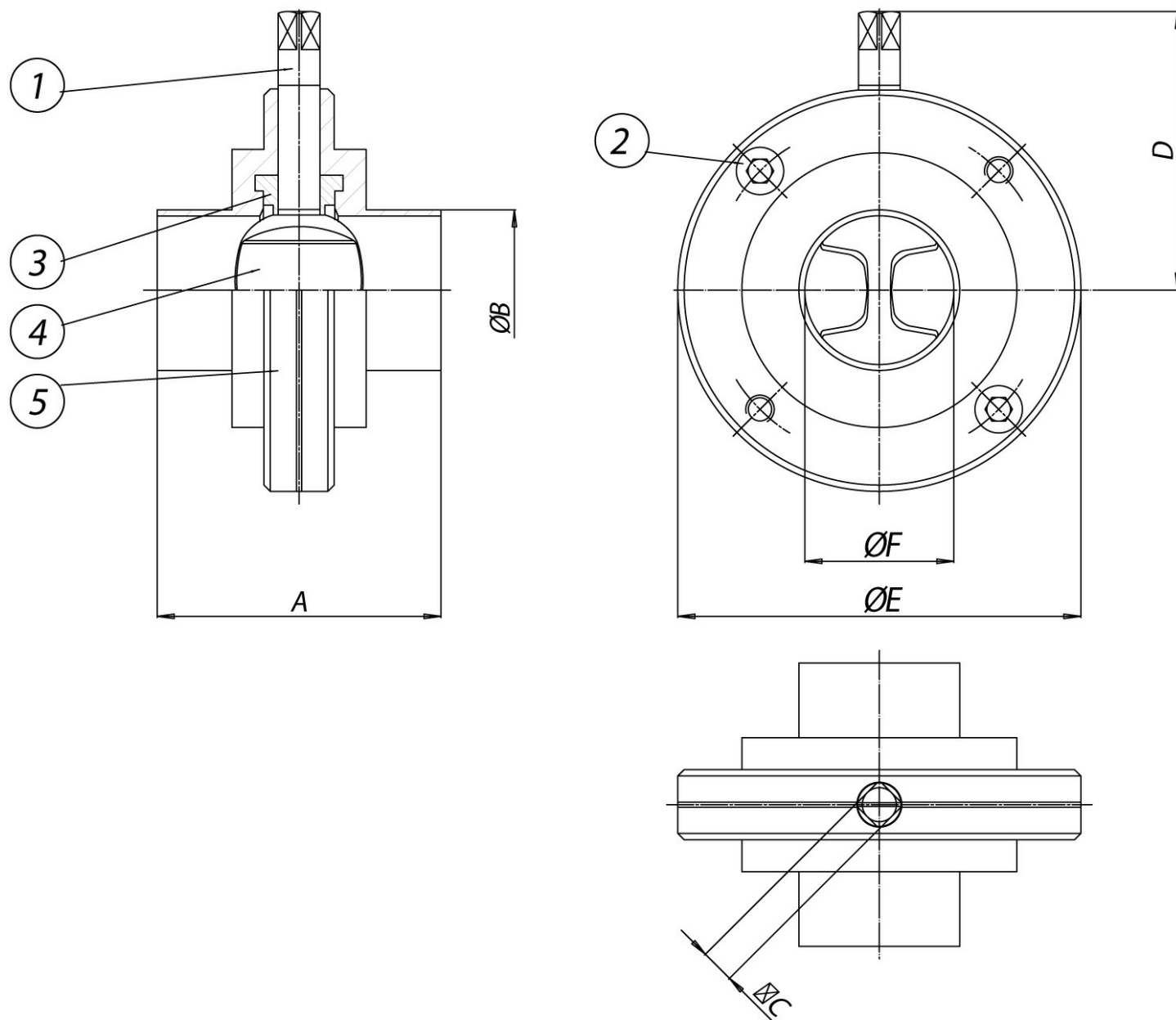
DIMENSIONS						
Size	A	B	C	D	ØE	ØF
DN 25 - 1"	68	52x1/6	9	57	79	25
DN 32 - 1"1/4	76	58x1/6	9	62	85	32
DN 40 - 1"1/2	76	65x1/6	9	64	92	40
DN 50 - 2"	80	78x1/6	9	70	105	50
DN 65 - 2"1/2	82	95x1/6	9	80	125	65
DN 80 - 3"	84	110x1/4	11	89	137	80
DN 100 - 4"	88	130x1/4	11	101	157	100

MATERIALS			
1) Shaft	AISI 304	14.301	UNI X5CrNi 18 10
2) Screws	AISI 304	14.301	UNI X5CrNi 18 10

3) Seals	Silicon		
4) Internal seals	Silicon		
5) Butterfly	AISI 304	14.301	UNI X5CrNi 18 10
6) Ends	AISI 304	14.301	UNI X5CrNi 18 10

Dimensions and materials - ITEM 493

VALVE TYPE 493 DIN 11850 SERIE 1

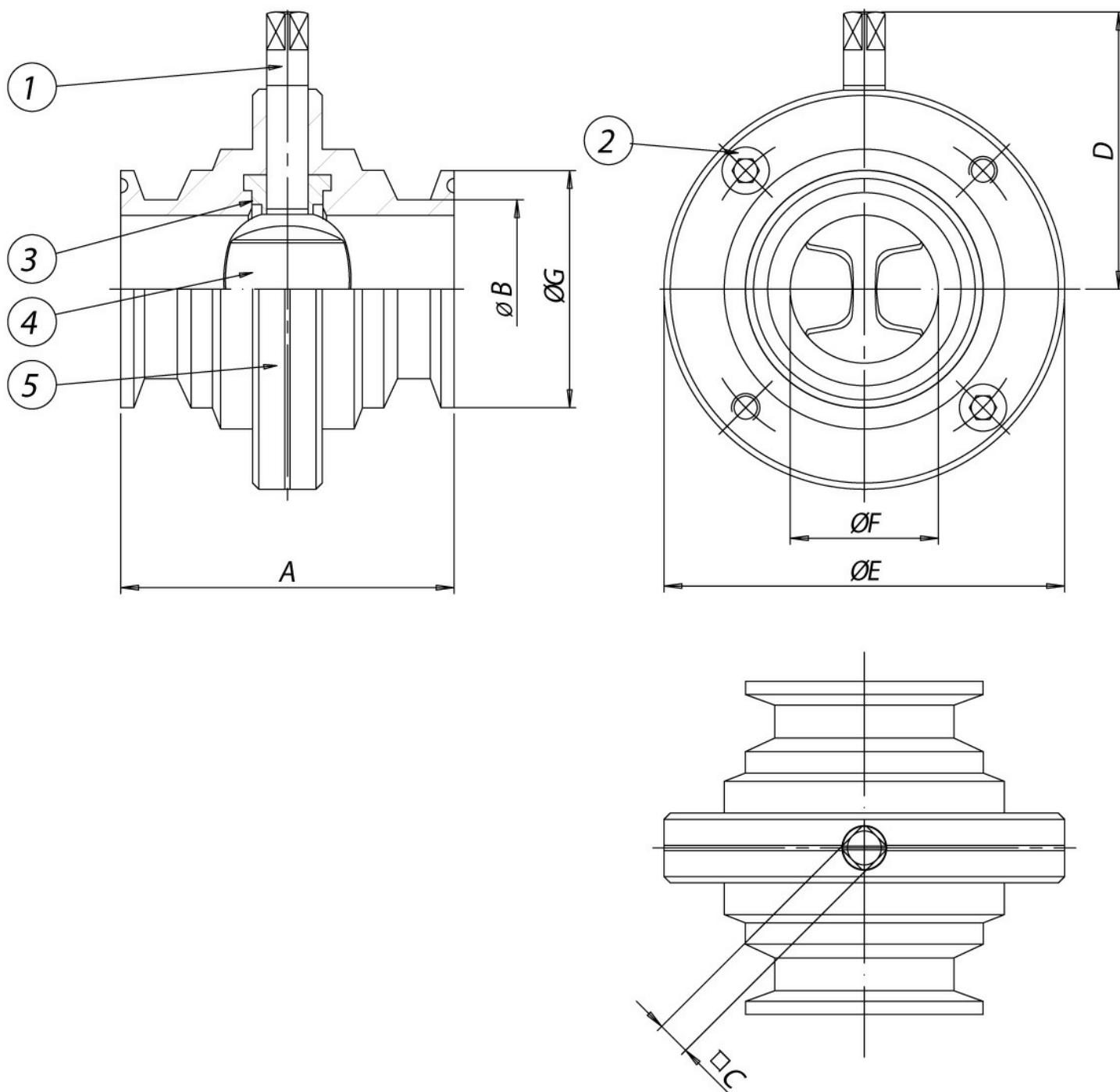


DIMENSIONS						
Size	A	B	C	D	øE	øF
DN 25 - 1"	68	28	9	57	79	25
DN 32 - 1"1/4	76	34	9	62	85	31
DN 40 - 1"1/2	76	40	9	64	92	37
DN 50 - 2"	80	52	9	70	105	49
DN 65 - 2"1/2	82	70	9	80	125	66
DN 80 - 3"	84	85	11	89	137	81
DN 100 - 4"	88	104	11	101	157	100

MATERIALS			
1) Shaft	AISI 304	14.301	UNI X5CrNi 18 10
2) Screws	AISI 304	14.301	UNI X5CrNi 18 10
3) Internal seals	Silicon		
4) Butterfly	AISI 304	14.301	UNI X5CrNi 18 10
5) Ends	AISI 304	14.301	UNI X5CrNi 18 10

Dimensions and materials - ITEM 494

VALVE TYPE 494 CLAMP BS 4825



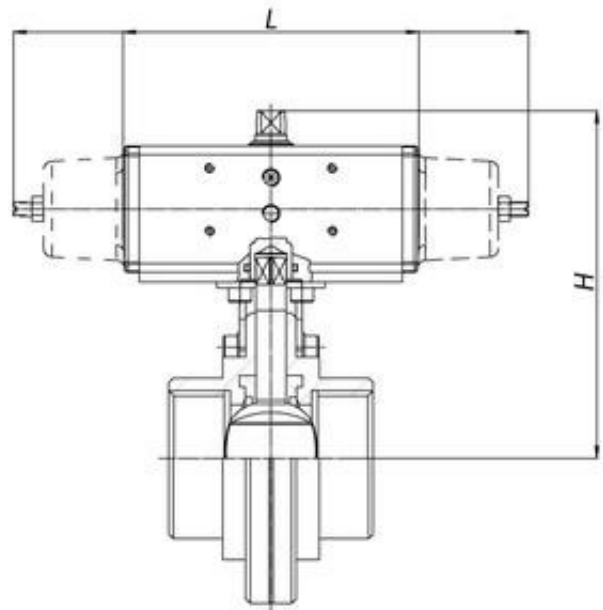
DIMENSIONS							
Size	A	øB	C	D	øE	øF	øG
1"	68	25,4	9	57	79	22,1	50,4
1"1/2	76	38,1	9	62	85	34,8	50,4
2"	80	50,8	9	70	105	47,5	64
2"1/2	82	63,5	9	75	113	60,2	77,4
3"	82	76,1	9	80	125	72,8	90,9

4"	88	101,6	11	101	157	97,4	118,8
----	----	-------	----	-----	-----	------	-------

MATERIALS			
1) Shaft	AISI 316L	14.401	UNI X5CrNiMo 17 12
2) Screws	AISI 316L	14.401	UNI X5CrNiMo 17 12
3) Internal seals	Silicone Silicon		
4) Butterfly	AISI 316L	14.401	UNI X5CrNiMo 17 12
5) Ends	AISI 316L	14.401	UNI X5CrNiMo 17 12



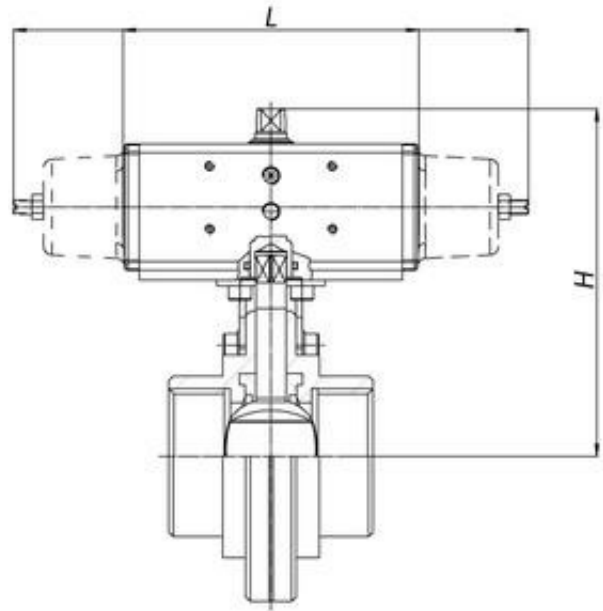
Drives - double acting pneumatic actuator



actuated valve with double acting pneumatic actuator

Code "F/F GAS"	D490H006	D490H007	D490K008	D490H009	D490K010	D490K011	D490K012
Code "F/F DIN"	D492H066	D492H067	D492K068	D492H069	D492K070	D492K071	D492K072
Code saldare di testa butt weld	D493H086	D493H087	D493K088	D493H089	D493K090	D493K091	D493K092
DN mm.	25 - 1"	32- 1"1/4	40 - 1"1/2	50 - 2"	65 - 2"1/2	80 - 3"	100 - 4"
L mm.	114	114	114	130	144	152	169
H mm.	120,4	125,5	127,4	141,4	156,7	172,4	187,5
weight Kg.	1,7	1,8	2,1	2,9	3,5	4,5	5,9
Actuator	DA015401S	DA015401S	DA015401S	DA030401S	DA045402S	DA060402S	DA09401S
Mounting kit	KCF032252	KCF032252	KCF032252	KCF032252	KCF042254	KCF043376	KCF052256

The sizing of pneumatic actuators has been done considering a minimum supply pressure of 5,6 barg.



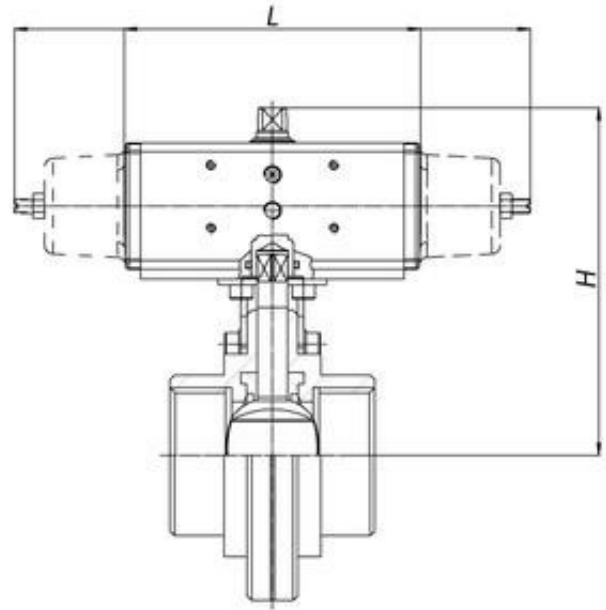
actuated valve with double acting pneumatic actuator

Code clamp	D494H006	----	D494K008	D494H009	D494K010	D494K011	D494K012
Size	1"	----	1"1/2	2"	2"1/2	3"	4"
L mm.	114	----	114	130	144	152	169
H mm.	120,4	----	125,4	141,4	151,7	161,4	187,5
weight Kg.	1,65	----	1,75	2,8	3,2	3,6	5,4
Actuator	DA015401S	----	DA015401S	DA030401S	DA045402S	DA060402S	DA090401S
Mounting kit	KCF032252	----	KCF032252	KCF032252	KCF042253	KCF042254	KCF052256

The sizing of pneumatic actuators has been done considering a minimum supply pressure of 5,6 barg.

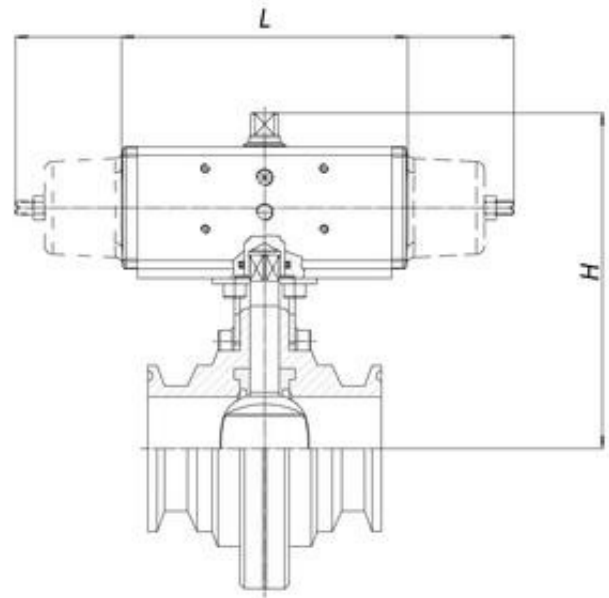


Drives - SPRING RETURN PNEUMATIC ACTUATOR



Code "F/F GAS"	S490H006	S490H007	S490K008	S490H009	S490K010	S490K011	S490K012
Code "F/F DIN"	S492H066	S492H067	S492K068	S492H069	S492K070	S492K071	S492K072
Code butt weld	S493H086	S493H087	S493K088	S493H089	S493K090	S493K091	S493K092
DN mm.	25 - 1"	32 - 1"1/4	40 - 1"1/2	50 - 2"	65 - 2"1/2	80 - 3"	100 - 4"
L mm.	221	221	221	240	294	320	357
H mm.	128,4	133,4	135,4	151,4	168,5	194,4	216
peso weight Kg.	2,3	2,4	2,6	3,8	4,7	9,4	10,6
Attuatore Actuator	SR015401S	SR015401S	SR015401S	SR030402S	SR045401S	SR060401S	SR090401S
Kit di montaggio Mounting kit	KCF032252	KCF032252	KCF032252	KCF042253	KCF052255	KCF053106	KCF072257

The sizing of pneumatic actuators has been done considering a minimum supply pressure of 5,6 barg.

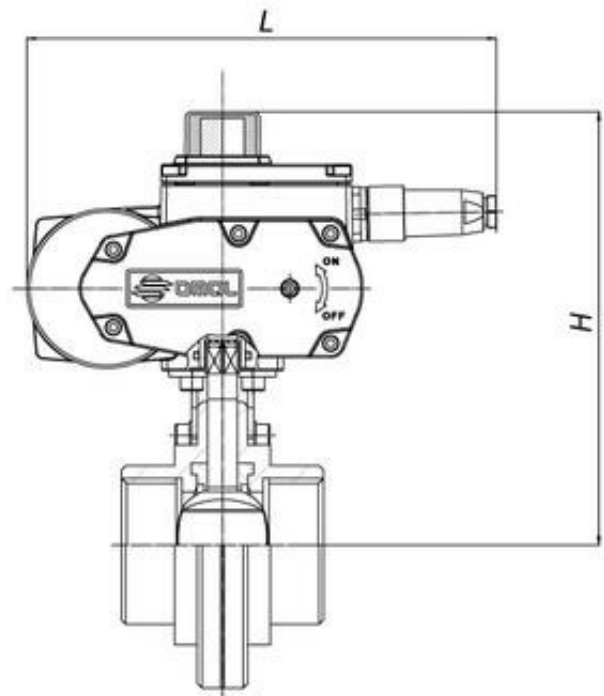


Code clamp	S494H006	----	S494K008	S494H009	S494K010	S494K011	S494K012
Size	1"	----	1"1/2	2"	2"1/2	3"	4"
L mm.	221	----	221	240	294	320	357
H mm.	128,4	----	133,4	151,4	163,5	187,4	216,5
weight Kg.	2,2	----	2,3	3,8	4,3	5,5	7,5
Actuator	SR015401S	----	SR015401S	SR030402S	SR045401S	SR060401S	SR090401S
Mounting kit	KCF032252	----	KCF032252	KCF042253	KCF052255	KCF052255	KCF072257

The sizing of pneumatic actuators has been done considering a minimum supply pressure of 5,6 barg.



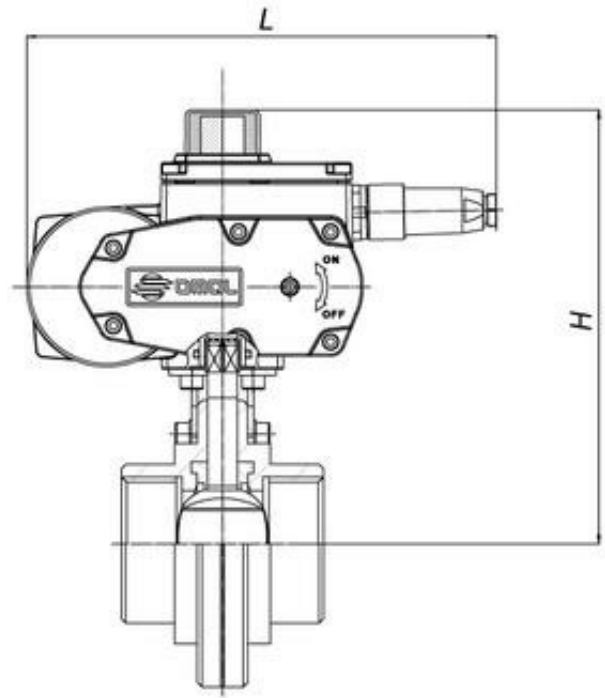
Drives - electric actuators



actuated valve with on-off electric actuator

cod.art. "F/F GAS"	C490A5E06	C490A5E07	C490A5E08	C490A5E09	C490A5G10	C490A5G11	C490A5I12
cod.art. "F/F DIN"	C492A5E66	C492A5E67	C492A5E68	C492A5E69	C492A5G70	C492A5G71	C492A5I72
cod.art. "welded"	C493A5E86	C493A5E87	C493A5E88	C493A5E89	C493A5G90	C493A5G91	C493A5I92
DN mm.	25 - 1"	32- 1"1/4	40 - 1"1/2	50 - 2"	65 - 2"1/2	80 - 3"	100 - 4"
L mm.	250	250	250	250	250	250	280
H mm.	185	190	192	198	208	215	247,6
weight Kg.	4,4	4,5	5	5,5	5,8	8,2	11,5
Actuator	EA0035A5C000	EA0035A5C000	EA0035A5C000	EA0035A5C000	EA0070A5C000	EA0700A5C000	EA0130A5C000
Mounting kit	KCF052255	KCF052255	KCF052255	KCF052255	KCF052255	KCF053106	KCF052257

For the codes of the items operated by electrical actuators is considered 230 Vac voltage.
ATEX version not available for electrical actuator.



actuated valve with on-off electric actuator

cod.art. clamp	C494A5E06	----	C494A5E08	C494A5E09	C494A5G10	C494A5G11	C494A5I12
Size	1"	----	1"1/2	2"	2"1/2	3"	4"
L mm.	250	----	250	250	250	250	280
H mm.	185	----	190	198	203	208	247,6
weight Kg.	4,5	----	4,6	5,35	5,7	5,8	10,7
Actuator	EA0035A5C000	----	EA0035A5C000	EA0035A5C000	EA0070A5C000	EA0070A5C000	EA0130A5C000
Mounting kit	KCF032252	----	KCF032252	KCF042253	KCF052255	KCF052255	KCF072257

For the codes of the items operated by electrical actuators is considered 230 Vac voltage.
ATEX version not available for electrical actuator.

