

Raccordi ad innesto rapido in ottone

Brass push-in fittings

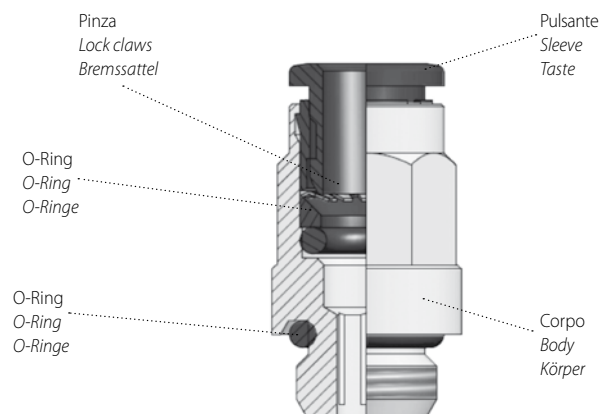
Steckverschraubungen Messing

Dati tecnici dei raccordi rapidi in ottone

Brass push-in fittings technical data

Technischen Daten der Steckverschraubungen Messing

Fluido Aria compressa (altri fluidi a richiesta)	Fluid Compressed air (other fluids on request)	Fluid Druckluft (andere Medien auf Anfrage)
Pressione di esercizio Tubo: Ø4 – Ø10 mm Pressione (con temperatura di utilizzo 20°C): 16 Bar Tubo: Ø12 – Ø14 mm Pressione (con temperatura di utilizzo 20°C): 12 Bar	Working pressure Tube: Ø4 – Ø10 mm Pressure (with working temperature 20°C): 16 Bar Tube: Ø12 – Ø14 mm Pressure (with working temperature 20°C): 12 Bar	Druck Schlauch: Ø4 – Ø10 mm Druck (mit einer Betriebstemperatur von 20°C): 16 Bar Schlauch: Ø12 – Ø14 mm Druck (mit einer Betriebstemperatur von 20°C): 12 Bar
Temperatura di utilizzo -20°C / +70°C	Temperature range -4°F / +158°F	Einsatztemperatur -20°C / +70°C
Tubi consigliati 1)Poliuretano - 2)Poliammide - 3)Polietilene - 4)Nylon	Recommended tubes 1)Polyurethane - 2)Polyamide - 3)Polyethylene - 4)Nylon	Rohempfehlungen 1)Polyurethan - 2)Polyamid - 3)Polyethylen - 4)Nylon
Tolleranze ± 0.10 mm	Tolerances ± 0.10 mm	Toleranzen ± 0.10 mm
Materiali Corpo: Ottone nichelato CW614 N / CW617 N Pinza: Acciaio AISI 301 Pulsante: Ottone nichelato CW614 N O-Ring: NBR esente da silicone	Materials Body: Nickel plated brass CW614 N / CW617 N Lock claws: AISI 301 Steel Sleeve: Nickel plated brass CW614 N O-Ring: NBR silicon free	Werkstoffen Körper: vernickelt Messing CW614N/CW617N Bremsattel: Edelstahl AISI 301 Taste: vernickelt Messing CW614 N O-Ringe: NBR Silikonfrei
Filettatura BSPP cilindrica UNI-ISO228 - ISO16030 con O-Ring. BSPT conica UNI-ISO 7 teflonata. Metrica ISO/R 262. NPT ANSI-ASME B1-20 su richiesta.	Thread types BSPP parallel UNI-ISO228 - ISO16030 with O-ring. BSPT taper UNI-ISO 7 with teflon. Metric ISO/R 262. NPT ANSI-ASME B1-20 on request.	Gewinde BSPP zylindrisch UNI-ISO228 - ISO16030 mit O-Ringen. BSPT konische UNI-ISO 7 mit Teflon. Metrische ISO/R 262. NPT ANSI-ASME B1-20 auf Anfrage.
Diametri e filetti Diametri da 4 mm a 14 mm - Filettature da M5 a 1/2"	Threads and diameters Diameters from 4 mm to 14 mm - Threads from M5 to 1/2"	Durchmesser und Gewinde Durchmesser von 4 mm bis 14 mm - Gewinde von M5 bis 1/2"
Caratteristiche principali 1. Tenuta al vuoto - 2. Montaggio istantaneo - 3. Gamma modulare - 4. Ingombri ottimizzati	Main features 1. Vacuum - 2. Instant connection - 3. Modular assembly 4. Optimized dimensions	Haupteigenschaften 1. Vakuumdichtigkeit - 2. Sofortige Installation - 3. Baukasten 4. Optimierte Abmessungen
Note Fornibili anche con O-ring in VITON®.	Note Available also with VITON® O-Ring.	Note Zur Verfügung auch mit VITON® O-Ringe.



RT 51K

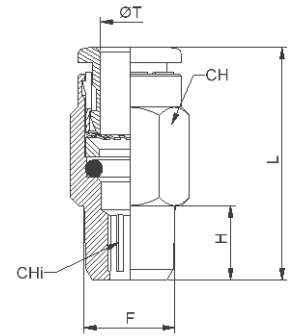


Diritto maschio conico BSPT

Male straight taper BSPT

Gerade Einschraubverschraubung Teflon, konisches Gewinde

Codice/Code	ØT	F"	H	L	CH	CHi	
RT51K1804	4	R1/8	8	19.5	10	2.5	10
RT51K1404	4	R1/4	11	21.5	14	2.5	10
RT51K1806	6	R1/8	8	24.8	11	4	10
RT51K1406	6	R1/4	11	23.8	14	4	10
RT51K1808	8	R1/8	8	28	13	5	10
RT51K1408	8	R1/4	11	24	14	6	10
RT51K3808	8	R3/8	11.5	24.5	17	6	10
RT51K1410	10	R1/4	11	28.9	16	7	10
RT51K3810	10	R3/8	11.5	29.4	17	8	10
RT51K1210	10	R1/2	14	29.4	22	8	10
RT51K1412	12	R1/4	11	35.5	19	7	10
RT51K3812	12	R3/8	11.5	32	19	10	10
RT51K1212	12	R1/2	14	31.3	22	10	10
RT51K3814	14	R3/8	11.5	37.5	21	10	10
RT51K1214	14	R1/2	14	35	22	10	10



RT 51

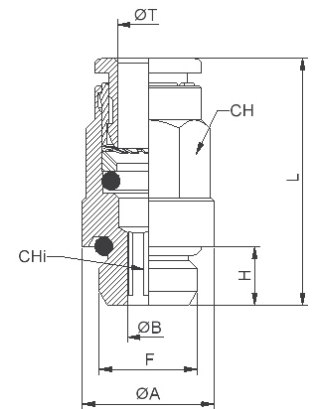


Diritto maschio cilindrico BSPP-metrico

Male straight parallel BSPP-metric

Gerade Einschraubverschraubung, zylindrisches Gewinde

Codice/Code	ØT	F"	ØA	ØB	H	L	CH	CHi	
RT51M504	4	M5	8	2.6	4	20.5	9	2.5	10
RT511804	4	G1/8	13.5	2.6	5.5	19.5	9	2.5	10
RT511404	4	G1/4	17	2.6	6.5	19.5	9	2.5	10
RT511806	6	G1/8	13.5	4.2	5.5	24.8	11	4	10
RT511406	6	G1/4	17	4.2	6.5	22.8	11	4	10
RT511808	8	G1/8	12.8	5.2	5.5	26.5	13	5	10
RT511408	8	G1/4	17	6.2	6.5	24	13	6	10
RT513808	8	G3/8	20	6.2	7.5	24	13	6	10
RT511208	8	G1/2	24	6.2	9	22.5	13	6	10
RT511810	10	G1/8	13	5.2	5.5	28.9	16	5	10
RT511410	10	G1/4	16	7.3	6.5	28.9	16	7	10
RT513810	10	G3/8	21	8.3	7.5	29.4	16	8	10
RT511210	10	G1/2	24	8.3	9	28.9	16	8	10
RT511412	12	G1/4	16	7.3	6.5	31.9	19	7	10
RT513812	12	G3/8	22	10.3	7.5	31.9	19	10	10
RT511212	12	G1/2	24	10.3	9	31.2	19	10	10
RT513814	14	G3/8	21	10.3	7.5	34.1	21	10	10
RT511214	14	G1/2	25	12.3	9	33.6	21	12	10



RT 51T

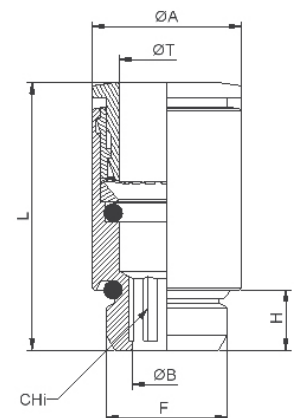


Diritto tondo cilindrico BSPP-metrico

Round male straight-metric

Runde Einschraubverschraubung, zylindrisches Gewinde

Codice/Code	ØT	F"	ØA	ØB	H	L	CHi	
RT51TM504	4	M5	9	2.6	4	20.5	2.5	10
RT51TM604	4	M6	9	2.6	5	21.5	2.5	10
RT51TM506	6	M5	11	2.6	4	23.8	2.5	10



Raccordi ad innesto rapido in ottone

Brass push-in fittings

Steckverschraubungen Messing

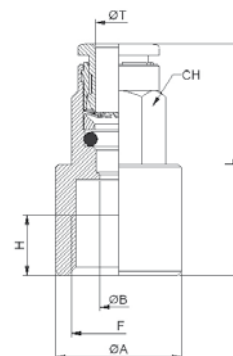
RT 52



Diritto femmina cilindrico BSPP-metrico

Female straight parallel BSPP-metric
Manometerverschraubung zylindrisches Gewinde

Codice/Code	ØT	F"	ØA	ØB	H	L	CH	
RT52M504	4	M5	9	3	4.5	23	9	10
RT521804	4	G1/8	12	3	6.5	26.5	9	10
RT521404	4	G1/4	17	3	10	29.5	9	10
RT521806	6	G1/8	12	5	6.5	28.3	11	10
RT521406	6	G1/4	17	5	10	31.3	11	10
RT521808	8	G1/8	12	7	6.5	28.5	13	10
RT521408	8	G1/4	17	7	10	32.5	13	10



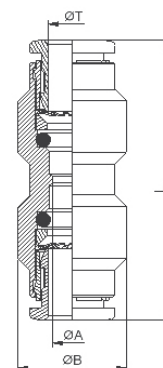
RT 53



Diritto intermedio

Straight intermediate
Gerader Verbinder

Codice/Code	ØT	ØA	ØB	L				
RT530004	4	3	11	32				10
RT530006	6	5	13	36.1				10
RT530008	8	7	15	38				10
RT530010	10	9	18	42.3				10
RT530012	12	11	21	45.8				10
RT530014	14	13	23	48.9				10



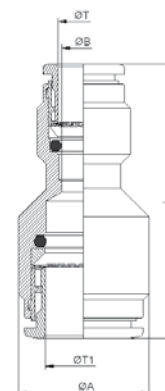
RT 53



Diritto intermedio ridotto

Straight reducer
Reduzierung Gerader Verbinder

Codice/Code	ØT1	ØT	ØA	ØB	L			
RT530604	6	4	13	3	34.8			10
RT530806	8	6	15	5	37.8			10
RT531008	10	8	18	7	40.9			10

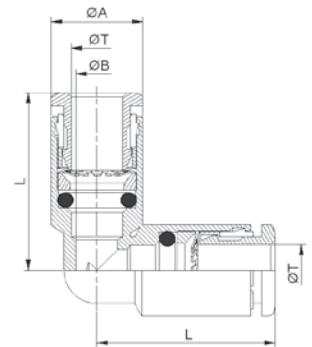


RT 54



L intermedio
L intermediale
Winkelverbinder

Codice/Code	ØT	ØA	ØB	L				
RT540004	4	9	3	17.3				10
RT540006	6	11	5	20.6				10
RT540008	8	13	7	23				10
RT540010	10	16	8	26.4				10
RT540012	12	19	10	28.9				10
RT540014	14	21	12	31.5				10

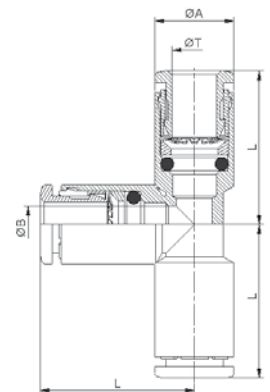


RT 55



T intermedio
T intermediale
T Verbinder

Codice/Code	ØT	ØA	ØB	L				
RT550004	4	9	3	17.3				10
RT550006	6	11	5	20.6				10
RT550008	8	13	7	23				10
RT550010	10	16	8	26.4				10
RT550012	12	19	10	28.9				10
RT550014	14	21	12	31.5				10



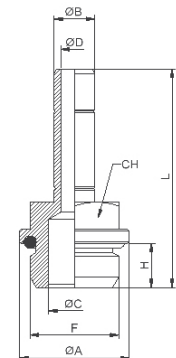
RT 56



Adattatore cilindrico BSPP-metrico

Male adaptor parallel BSPP-metric
Gewindeanschlussverbinder Außengewinde, zylindrisches Gewinde

Codice/Code	ØB	F"	ØA	ØC	ØD	H	L	CH	
RT56M504	4	M5	8	2	2	4	24.2	8	10
RT56M704	4	M7	11	3.5	2	5.5	26.2	9	10
RT561804	4	G1/8	13	6	2	5.5	27.7	13	10
RT561404	4	G1/4	16	7.5	2	6.5	30.7	13	10
RT56M506	6	M5	8	2.6	2.6	4	27.5	8	10
RT56M706	6	M7	11	3.5	3.5	5.5	29	9	10
RT561806	6	G1/8	13	6	4	5.5	31	13	10
RT561406	6	G1/4	16	7.5	4	6.5	33.5	13	10
RT561808	8	G1/8	13	6	6	5.5	32.5	13	10
RT561408	8	G1/4	16	7.5	6	6.5	35	13	10
RT563808	8	G3/8	20	9	6	7.5	37	13	10
RT561810	10	G1/8	13	6	6	5.5	35.5	13	10
RT561410	10	G1/4	16	7.5	8	6.5	38	13	10
RT563810	10	G3/8	20	9	8	7.5	41	13	10
RT561210	10	G1/2	24	13	8	9	41	16	10
RT561412	12	G1/4	16	8	8	6.5	39	13	10
RT563812	12	G3/8	20	11	10	7.5	42	13	10
RT561212	12	G1/2	24	13	10	9	44	16	10
RT563814	14	G3/8	20	11	12	7.5	44.5	16	10
RT561214	14	G1/2	24	13	12	9	46.5	16	10



Raccordi ad innesto rapido in ottone

Brass push-in fittings

Steckverschraubungen Messing

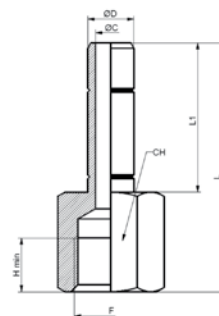
RT 56F



Adattatore cilindrico BSPP femmina

Female adaptor parallel BSPP
Verbinder zylindrisches Gewinde BSPP

Codice/Code	F"	H	L	CH	ØC	ØD		
RT56F1804	G1/8	7	29.7	12	2	4		10
RT56F1406	G1/4	8	35.5	17	4	6		10
RT56F1408	G1/4	8	37	17	6	8		10



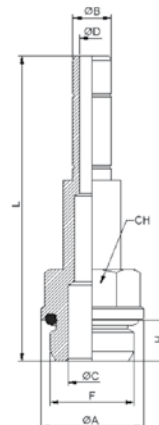
RT 56L



Adattatore cilindrico BSPP lungo

Male adaptor parallel BSPP long
Lange Verbinder zylindrisches Gewinde BSPP

Codice/Code	F"	ØA	ØB	H	L	CH	ØC	ØD	
RT56L1804	G1/8	13	4	6	39.7	13	6	2	10
RT56L1806	G1/8	13	6	6	45	13	6	4	10
RT56L1406	G1/4	16	6	8	47.5	13	7.5	4	10
RT56L1808	G1/8	13	8	6	48.5	13	6	6	10
RT56L1408	G1/4	16	8	8	51	13	7.5	6	10
RT56L1410	G1/4	16	10	8	55.5	13	7.5	8	10



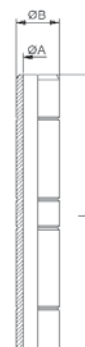
RT 57



Prolunga

Straight plug-in
Doppelstecker

Codice/Code	ØB	ØA	L			
RT570004	4	2	33.4			10
RT570006	6	4	39			10
RT570008	8	6	42			10
RT570010	10	8	48			10
RT570012	12	10	50			10
RT570014	14	12	55			10



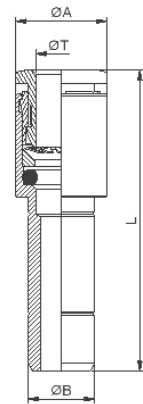
RT 58



Adattatore riduzione-maggiorazione

Reducer-increaser plug-in
Reduzier-Stecker

Codice/Code	ØB	ØT	ØA	L				
RT580604	6	4	9	32.5				10
RT580804	8	4	9	34				10
RT580806	8	6	11	36.3				10
RT581006	10	6	11	39.3				10
RT581008	10	8	13	39				10
RT581204	12	4	13	40				10
RT581206	12	6	13	40.3				10
RT581208	12	8	13	39.5				10
RT581210	12	10	16	41.4				10
RT581404	14	4	15	43.5				10
RT581406	14	6	15	43.8				10
RT581408	14	8	15	44				10
RT581410	14	10	16	43.9				10
RT581412	14	12	19	45.9				10
RT5810406	4	6	11	35.5				10
RT5810608	6	8	13	39				10



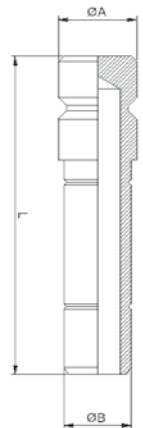
RT 59



Tappo maschio

Male plug-in
Verschluss-Stecker

Codice/Code	ØB	ØA	L					
RT590004	4	5	26					10
RT590006	6	7	29					10
RT590008	8	9	31.5					10
RT590010	10	11	35					10
RT590012	12	13	37					10
RT590014	14	15	39.5					10



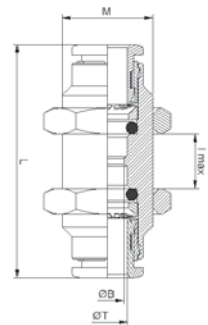
RT 60



Passalamiera

Union bulkhead
Schottverschraubung

Codice/Code	ØT	M	ØB	L	L max			
RT600004	4	M11	3	32	8			10
RT600006	6	M14	5	36.1	8			10
RT600008	8	M16	7	38	10			10
RT600010	10	M18	9	42.3	12			10
RT600012	12	M22	11	45.8	17			10
RT600014	14	M24	13	47.5	18			10



Raccordi ad innesto rapido in ottone

Brass push-in fittings

Steckverschraubungen Messing

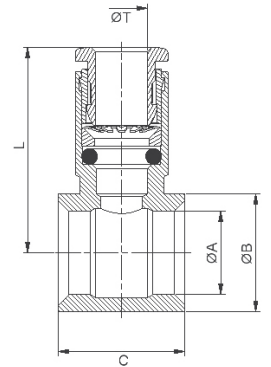
RT 63



Banjo singolo

Banjo (single)
Ringstück 1-Fach

Codice/Code	ØT	ØA	ØB	C	L		
RT63M504	4	M5	8	9	19.5		10
RT631804	4	G1/8	14	15	21.1		10
RT631806	6	G1/8	14	15	24.3		10
RT631406	6	G1/4	18	17	25.5		10
RT631808	8	G1/8	14	15	24.8		10
RT631408	8	G1/4	18	17	26.5		10
RT633808	8	G3/8	21	20	28		10
RT631410	10	G1/4	18	17	28.4		10
RT633810	10	G3/8	21	20	29.9		10
RT631412	12	G1/4	18	17	27.5		10
RT633812	12	G3/8	21	20	31.4		10
RT631212	12	G1/2	26	24	34.9		10
RT631214	14	G1/2	26	24	35.5		10



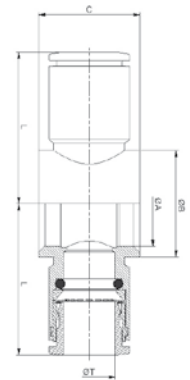
RT 64



Banjo doppio

Banjo (double)
Ringstück 2-Fach

Codice/Code	ØT	ØA	ØB	C	L		
RT64M504	4	M5	8	9	19.5		10
RT641804	4	G1/8	14	15	21.1		10
RT641806	6	G1/8	14	15	24.3		10
RT641406	6	G1/4	18	17	25.5		10
RT641808	8	G1/8	14	15	24.8		10
RT641408	8	G1/4	18	17	26.5		10
RT643808	8	G3/8	21	20	28		10
RT641410	10	G1/4	18	17	28.4		10
RT643810	10	G3/8	21	20	29.9		10



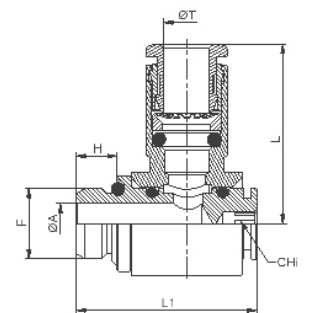
RT 65



Banjo singolo girevole cilindrico BSPP-metrico

Rotating single banjo parallel BSPP-metric
Winkelverschraubung Drehbar, zylindrisches Gewinde

Codice/Code	ØT	F"	ØA	H	L	L1	CHi	
RT65M504	4	M5	2	4	19.5	16.8	2	10
RT651804	4	G1/8	5.5	5.5	21.1	24.5	3	10
RT651806	6	G1/8	5.5	5.5	24.3	24.5	3	10
RT651406	6	G1/4	7.8	6.5	25.5	27.8	4	10
RT651808	8	G1/8	5.5	5.5	24.8	24.5	3	10
RT651408	8	G1/4	7.8	6.5	26.5	27.8	4	10
RT653808	8	G3/8	10	7.5	28	32.5	5	10
RT651410	10	G1/4	7.8	6.5	28.4	27.8	4	10
RT653810	10	G3/8	10	7.5	29.9	32.5	5	10
RT653812	12	G3/8	10	7.5	31.4	32.5	5	10
RT651212	12	G1/2	12	9	34.9	38.8	8	10
RT651214	14	G1/2	12	9	35.5	38.8	8	10



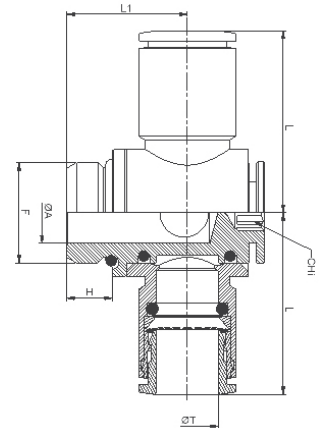
RT 66



Banjo doppio girevole cilindrico BSPP-metrico

Rotating double banjo parallel BSPP-metric
T-Einschraubverschraubung Drehbar, zylindrisches Gewinde

Codice/Code	ØT	F"	ØA	H	L	L1	Chi	
RT66M504	4	M5	2	4	19.5	16.8	2	10
RT661804	4	G1/8	5.5	5.5	21.1	24.5	3	10
RT661806	6	G1/8	5.5	5.5	24.3	24.5	3	10
RT661406	6	G1/4	7.8	6.5	25.5	27.8	4	10
RT661808	8	G1/8	5.5	5.5	24.8	24.5	3	10
RT661408	8	G1/4	7.8	6.5	26.5	27.8	4	10
RT663808	8	G3/8	10	7.5	28	32.5	5	10
RT661410	10	G1/4	7.8	6.5	28.4	27.8	4	10
RT663810	10	G3/8	10	7.5	29.9	32.5	5	10



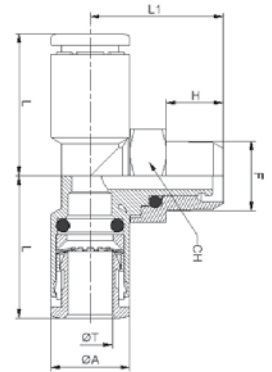
RT 70K



T maschio al centro girevole conico BSPT

Lateral T male (rotating body) taper BSPT
T-Einschraubverschraubung, konisches Gewinde, mit Teflon

Codice/Code	ØT	F"	ØA	H	L	L1	CH	
RT70K1804	4	R1/8	11	8	17.3	18.6	13	10
RT70K1806	6	R1/8	11	8	19.8	18.6	13	10
RT70K1406	6	R1/4	11	11	22.1	23.5	14	10
RT70K1808	8	R1/8	13	8	23	20.5	13	10
RT70K1408	8	R1/4	13	11	23	23.5	14	10
RT70K3808	8	R3/8	13	11.5	24.5	26.5	17	10
RT70K1410	10	R1/4	16	11	26.4	25.5	14	10
RT70K3810	10	R3/8	16	11.5	26.4	26.5	17	10
RT70K1210	10	R1/2	16	14	27.9	31.9	22	10
RT70K1412	12	R1/4	19	11	31.9	24.5	14	10
RT70K3812	12	R3/8	19	11.5	28.9	27	17	10
RT70K1212	12	R1/2	19	14	28.9	33.9	22	10



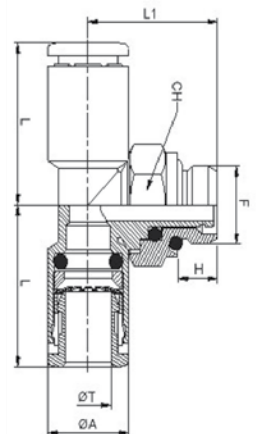
RT 70



T maschio al centro girevole cilindrico BSPP-metrico

Central T male (rotating body) parallel BSPP-metric
T-Verschraubung, Drehbar, zylindrisches Gewinde

Codice/Code	ØT	F"	ØA	L	L1	CH	H	
RT70M504	4	M5	9	17.3	20	8	4	10
RT701804	4	G1/8	11	17.3	18.5	13	5.5	10
RT70M506	6	M5	11	20	20.6	8	4	10
RT701806	6	G1/8	11	20.6	18.5	13	5.5	10
RT701406	6	G1/4	11	22.1	22.5	16	6.5	10
RT701808	8	G1/8	13	23	20.5	13	5.5	10
RT701408	8	G1/4	13	23	22.5	16	6.5	10
RT703808	8	G3/8	13	24.5	25.5	18	7.5	10
RT701410	10	G1/4	16	26.4	24.5	16	6.5	10
RT703810	10	G3/8	16	26.4	25.5	18	7.5	10
RT701210	10	G1/2	16	27.9	29	21	9	10
RT701412	12	G1/4	19	28.9	24.5	19	6.5	10
RT703812	12	G3/8	19	28.9	24.5	18	7.5	10
RT701212	12	G1/2	19	28.9	31	21	9	10
RT703814	14	G3/8	21	31.5	28	18	7.5	10



RT

Raccordi ad innesto rapido in ottone

Brass push-in fittings

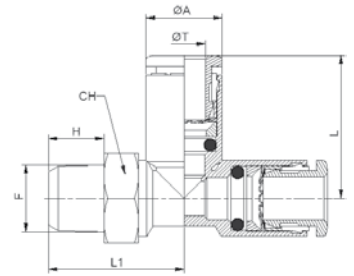
Steckverschraubungen Messing

RT 71K**T maschio laterale girevole conico BSPT**

Lateral T male (rotating body) taper BSPT

L Verschraubung, Drehbar, konisches Gewinde

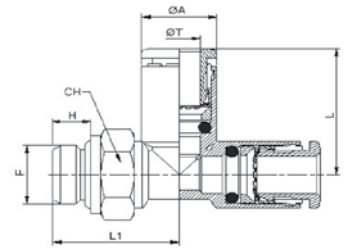
Codice/Code	ØT	F"	ØA	L	L1	CH	H	■
RT71K1804	4	R1/8	11	17.7	18.6	13	8	10
RT71K1806	6	R1/8	11	19.8	18.6	13	8	10
RT71K1406	6	R1/4	11	22.1	23.5	14	11	10
RT71K1808	8	R1/8	13	23	20.5	13	8	10
RT71K1408	8	R1/4	13	23	23.5	14	11	10
RT71K3808	8	R3/8	13	24.5	26.5	17	11.5	10
RT71K1410	10	R1/4	16	26.4	25.5	14	11	10
RT71K3810	10	R3/8	16	26.4	26.5	17	11.5	10
RT71K3812	12	R3/8	19	28.9	27	17	11.5	10
RT71K1212	12	R1/2	19	28.9	33.9	22	14	10

**RT 71****T maschio laterale girevole cilindrico BSPP-metrico**

Lateral t male (rotating body) parallel BSPP-metric

L Verschraubung, Drehbar, zylindrisches Gewinde

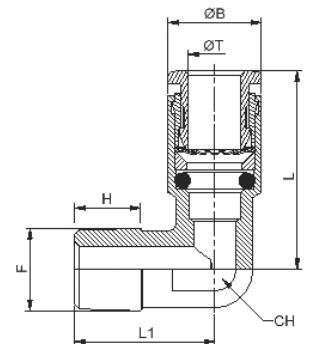
Codice/Code	ØT	F"	ØA	L	L1	CH	H	■
RT71M504	4	M5	9	17.3	20	8	4	10
RT711804	4	G1/8	11	17.3	18.5	13	5.5	10
RT711806	6	G1/8	11	20.6	18.5	13	5.5	10
RT711406	6	G1/4	11	22.3	22.5	16	6.5	10
RT711808	8	G1/8	13	23	20.5	13	5.5	10
RT711408	8	G1/4	13	23	22.5	16	6.5	10
RT713808	8	G3/8	13	24.5	25.5	18	7.5	10
RT711410	10	G1/4	16	26.4	24.5	16	6.5	10
RT713810	10	G3/8	16	26.4	25.5	18	7.5	10
RT711412	12	G1/4	19	28.9	24.5	16	6.5	10
RT713812	12	G3/8	19	28.9	24.5	18	7.5	10

**RT 69K****Gomito fisso maschio conico BSPT**

Elbow male (not rotating body) taper BSPT

Winkelverschraubung, Drehbar, Konisches Gewinde

Codice/Code	ØT	F"	ØB	L	L1	CH	H	■
RT69K1804	4	R1/8	9.5	18.6	16.5	10	8	10
RT69K1806	6	R1/8	11	23.8	16.5	10	8	10
RT69K1406	6	R1/4	11	25	22.5	11	12.5	10
RT69K1808	8	R1/8	13	25.5	18.5	11	9	10
RT69K1408	8	R1/4	13	25.5	22	11	12	10
RT69K1410	10	R1/4	16	28.4	24	13	12.5	10



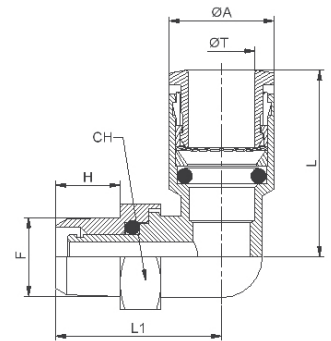
RT 72K



Gomito maschio girevole conico BSPT

Elbow male (rotating body) taper BSPT
Winkelverschraubung, Drehbar, konisches Gewinde

Codice/Code	ØT	F"	ØA	H	L	L1	CH	
RT72K1804	4	R1/8	11	8	17.7	18.6	13	10
RT72K1404	4	R1/4	13	11	19	23.5	14	10
RT72K1806	6	R1/8	11	8	19.8	18.6	13	10
RT72K1406	6	R1/4	11	11	22.1	23.5	14	10
RT72K1808	8	R1/8	13	8	23	20.5	13	10
RT72K1408	8	R1/4	13	11	23	23.5	14	10
RT72K3808	8	R3/8	13	11.5	24.5	26.5	17	10
RT72K1410	10	R1/4	16	11	26.4	25.5	14	10
RT72K3810	10	R3/8	16	11.5	26.4	26.5	17	10
RT72K1210	10	R1/2	16	14	27.9	31.1	22	10
RT72K1412	12	R1/4	19	11	28.9	26.5	14	10
RT72K3812	12	R3/8	19	11.5	28.9	28.1	17	10
RT72K1212	12	R1/2	19	14	28.9	31.1	22	10
RT72K3814	14	R3/8	21	11.5	31.5	30.3	17	10
RT72K1214	14	R1/2	21	14	31.5	31.1	22	10



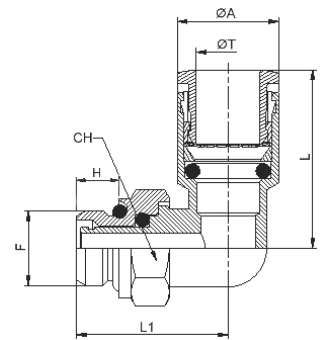
RT 72



Gomito maschio girevole cilindrico BSPP-metrico

Elbow male (rotating body) parallel BSPP-metric
Winkelverschraubung, Drehbar, zylindrisches Gewinde

Codice/Code	ØT	F"	ØA	L	L1	CH	H	
RT72M504	4	M5	9	17.3	20	8	4	10
RT721804	4	G1/8	11	17.3	18.5	13	5.5	10
RT721404	4	G1/4	13	19	22.5	16	6.5	10
RT72M506	6	M5	11	20	20.6	8	4	10
RT721806	6	G1/8	11	20.6	18.5	13	5.5	10
RT721406	6	G1/4	11	22.1	22.5	16	6.5	10
RT721808	8	G1/8	13	23	20.5	13	5.5	10
RT721408	8	G1/4	13	23	22.5	16	6.5	10
RT723808	8	G3/8	13	24.5	25.5	18	7.5	10
RT721410	10	G1/4	16	26.4	24.5	16	6.5	10
RT723810	10	G3/8	16	26.4	25.5	18	7.5	10
RT721210	10	G1/2	16	27.9	29	21	9	10
RT721412	12	G1/4	19	28.9	24.5	16	6.5	10
RT723812	12	G3/8	19	28.9	24.5	18	7.5	10
RT721212	12	G1/2	19	28.9	31	21	9	10
RT723814	14	G3/8	21	31.5	28	18	7.5	10
RT721214	14	G1/2	21	31.5	33	21	9	10



Raccordi ad innesto rapido in ottone

Brass push-in fittings

Steckverschraubungen Messing

RT 73

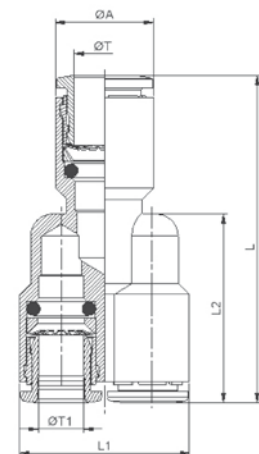


Y innestabile

Y Connector

Y Verteiler

Codice/Code	ØT	ØT1	ØA	L	L1	L2	■
RT730006	6	6	11.4	43.1	23.1	25.8	10
RT730008	8	8	13.45	46.5	27.1	29	10
RT730010	10	10	16.4	51.8	33.1	32.4	10
RT731008	10	8	16.4	48.9	27.1	29	10



RT 75

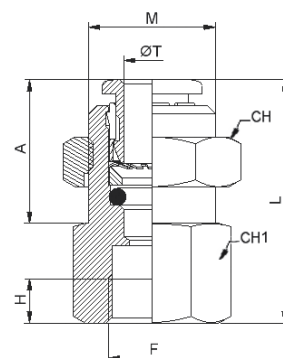


Femmina passalamiera cilindrico BSPP

Straight female bulkhead parallel BSPP

Schottverschraubung Innengewinde

Codice/Code	ØT	F"	M	A	H	L	CH1	CH	■
RT751804	4	G1/8	M10	15.5	6.5	25.5	15	13	10
RT751806	6	G1/8	M14	15.8	6.5	26.8	15	17	10
RT751406	6	G1/4	M14	15.8	10	31.3	17	17	10
RT751808	8	G1/8	M16	16	6.5	29	17	19	10
RT751408	8	G1/4	M16	16	10	33.5	17	19	10



RT 77

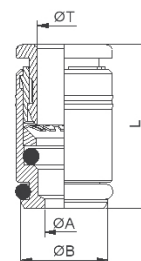


Cartuccia in ottone

Brass cartridge

Einpresspatrone

Codice/Code	ØT	ØA	ØB	L	■
RT770004	4	2.9	7.8	14	10
RT770006	6	4.5	10	16	10
RT770008	8	6.5	12.3	17	10



RT 83

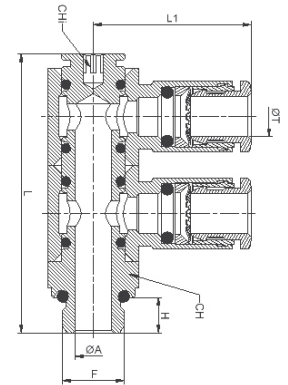


Doppio L girevole cilindrico BSPP

Double elbow (rotating body) parallel BSPP

Winkeleinschraubverschraubung 2-Fach, Drehbar, zylindrisches Gewinde

Codice/Code	ØT	F"	ØA	H	L	L1	CH	CHi	
RT831804	4	G1/8	5.5	5.5	43.3	21.1	14	3	10
RT831806	6	G1/8	5.5	5.5	43.3	24.3	14	3	10
RT831406	6	G1/4	6.5	6.5	50	25.5	18	4	10
RT831808	8	G1/8	5.5	5.5	43.3	24.8	14	3	10
RT831408	8	G1/4	6.5	6.5	50	26.5	18	4	10
RT831410	10	G1/4	6.5	6.5	50	28.4	18	4	10



RT 84

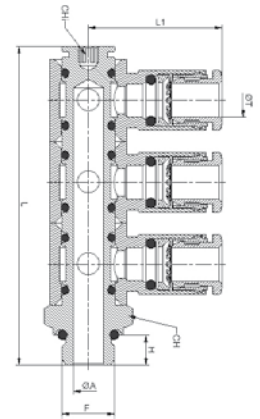


Triplo L girevole cilindrico BSPP

Triple elbow (rotating body) parallel BSPP

Winkeleinschraubverschraubung 3-Fach, Drehbar, zylindrisches Gewinde

Codice/Code	ØT	F"	ØA	H	L	L1	CH	CHi	
RT841804	4	G1/8	5.5	5.5	59	21.1	14	3	10
RT841806	6	G1/8	5.5	5.5	59	24.3	14	3	10
RT841808	8	G1/8	5.5	5.5	59	24.8	14	3	10



Su richiesta fornibili raccordi con anellini colorati

On demand we can supply fittings with different colours

Zur Verfügung mit Spannring in verschiedene Farben