


Pozitie	Cant.	Descriere
	1	<p>PM 2</p>  <p style="text-align: center;">Not ! Poza de produs poate diferi de produsul actual</p> <p>Nr. Produs: La cerere</p> <p>The Grundfos PM 2 pressure manager is designed for automatic start/stop control of Grundfos pumps and other water supply pumps.</p> <p>The PM 2 is the all-round control solution offering adjustable start at 1.5 - 5 bar bar. This enables customisation to different types of installations and desired comfort level.</p> <p>The start pressure is set by means of DIP switches located behind the control panel whereas the current pressure is indicated on the LED display on the front of the PM 2. The PM 2 starts the pump when the start pressure is reached, and the pump keeps running as long as there is a flow.</p> <p>The PM 2 can be optimised for operation with an external pressure tank by enabling the 1 bar differential-pressure function. This function significantly reduces the number of operating hours of the pump in installations with pressure tank.</p> <p>Furthermore the PM 2 incorporate a number of functions which protect both the pump and the installation.</p> <p>Protective functions:</p> <ul style="list-style-type: none"> - dry-running protection - cycling alarm - maximum continuous operating time (30 minutes) <p>The PM 2 has an auto-reset function which can be used to automatically restart the pump.</p> <p>Liquid: Gama temperaturii lichidului: 0 .. 40 °C</p> <p>Technical: Approvals and markings: CE C-TICK GOST ACS VDE WRAS</p> <p>Instalatie: Temperatura ambient maxim : 50 °C Presiune de func ionare maxim : 10 bar Inlet connect: G1" Outlet connect: G1" Inlet thread: External Outlet thread: External Pres. Read-out: YES</p> <p>Electrical data: Putere de intrare maxim : 2000 W Frecven a re elei electrice: 50 Hz Tensiune nominal : 1 x 220-240 V Curent consumat maxim: 10 A Grad de protec ie (IEC 34-5): IP65 Tip de conectare cablu: SCHUKO</p>



Nume companie:

Creat de:

Telefon:

Date:

18.05.2016

Pozi ie	Cant.	Descriere
		Cablu principal: 1.5 m
		Tank: Volumul rezervorului de presiune: 0.1 l
		Others: Greutate net : 1.42 kg Greutate brut : 2.2 kg

Descriere	Valori i tipuri
-----------	-----------------

Informa ii generale:

Nume produs::	PM 2
Nr. produs::	La cerere
Numărul EAN::	La cerere
Pre :	La cerere

Technical:

Approvals and markings:	CE C-TICK GOST ACS VDE WRAS
Clapet de sens încorporat:	YES

Instala ie:

Temperatura ambient maxim :	50 °C
Presiune de func ionare maxim :	10 bar
Presiune setat intrare:	1.5 - 5 bar
Inlet connect:	G1"
Outlet connect:	G1"
Inlet thread:	External
Outlet thread:	External
Pres. Read-out:	YES

Liquid:

Gama temperaturii lichidului:	0 .. 40 °C
-------------------------------	------------

Electrical data:

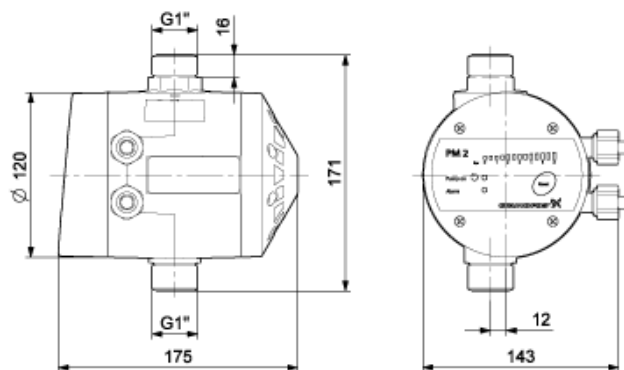
Putere de intrare maxim :	2000 W
Frecven a re elei electrice:	50 Hz
Tensiune nominal :	1 x 220-240 V
Curent consumat maxim:	10 A
Grad de protec ie (IEC 34-5):	IP65
Lungime cablu:	0.5 m
Tip de conectare cablu:	SCHUKO
Cablu principal:	1.5 m

Tank:

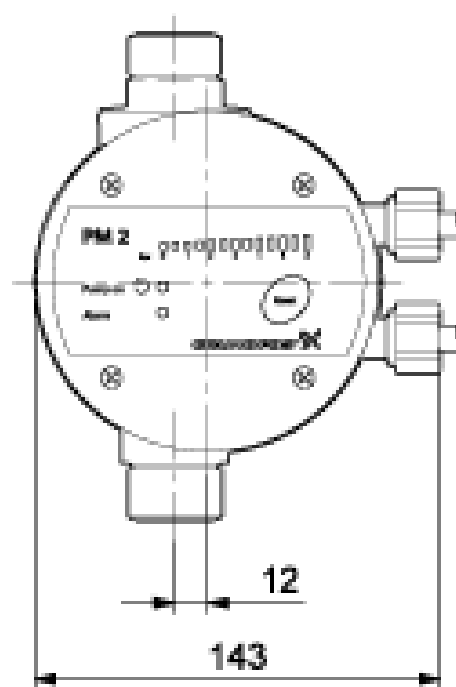
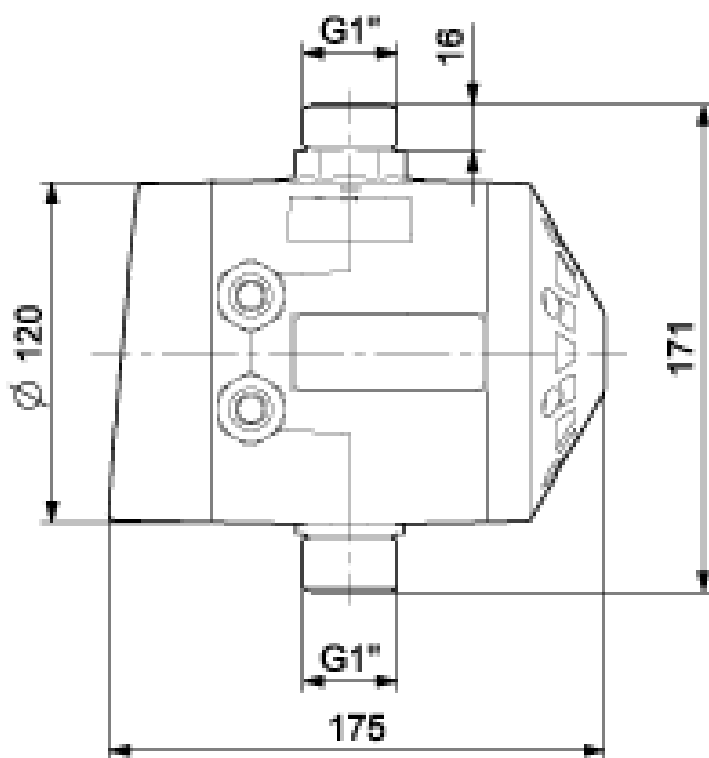
Volumul rezervorului de presiune:	0.1 l
-----------------------------------	-------

Others:

Greutate net :	1.42 kg
Greutate brut :	2.2 kg



La cerere PM 2 50 Hz



Note! All units are in [mm] unless others are stated.
Disclaimer: This simplified dimensional drawing does not show all details.