
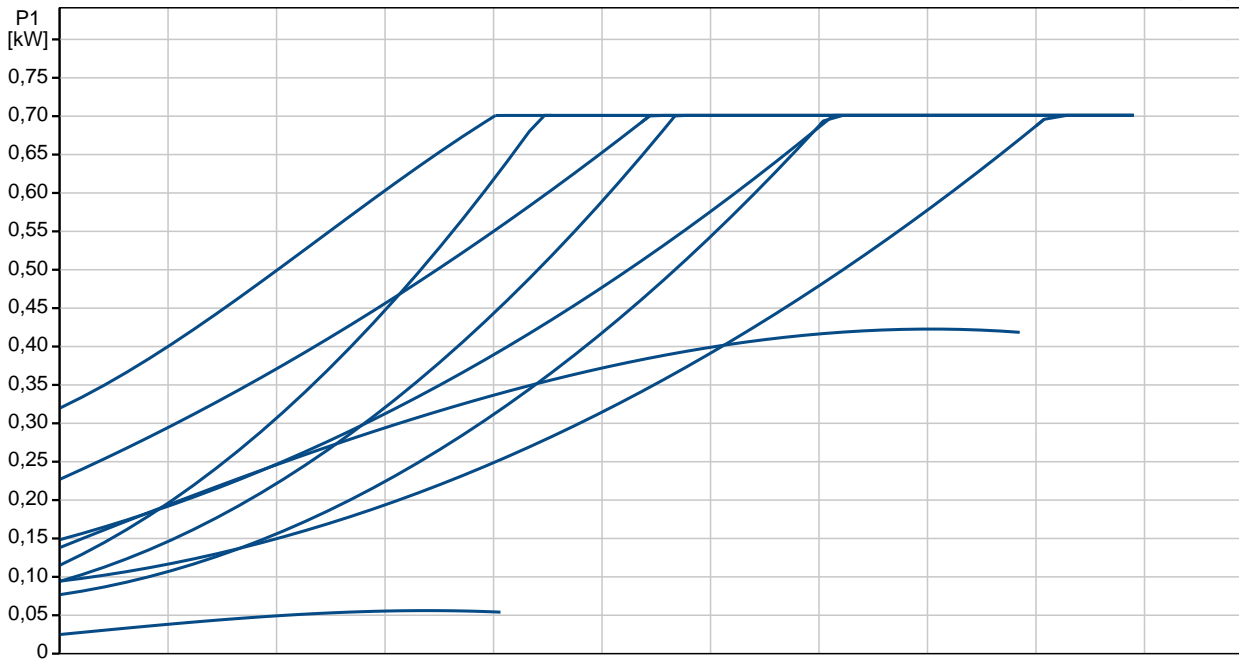
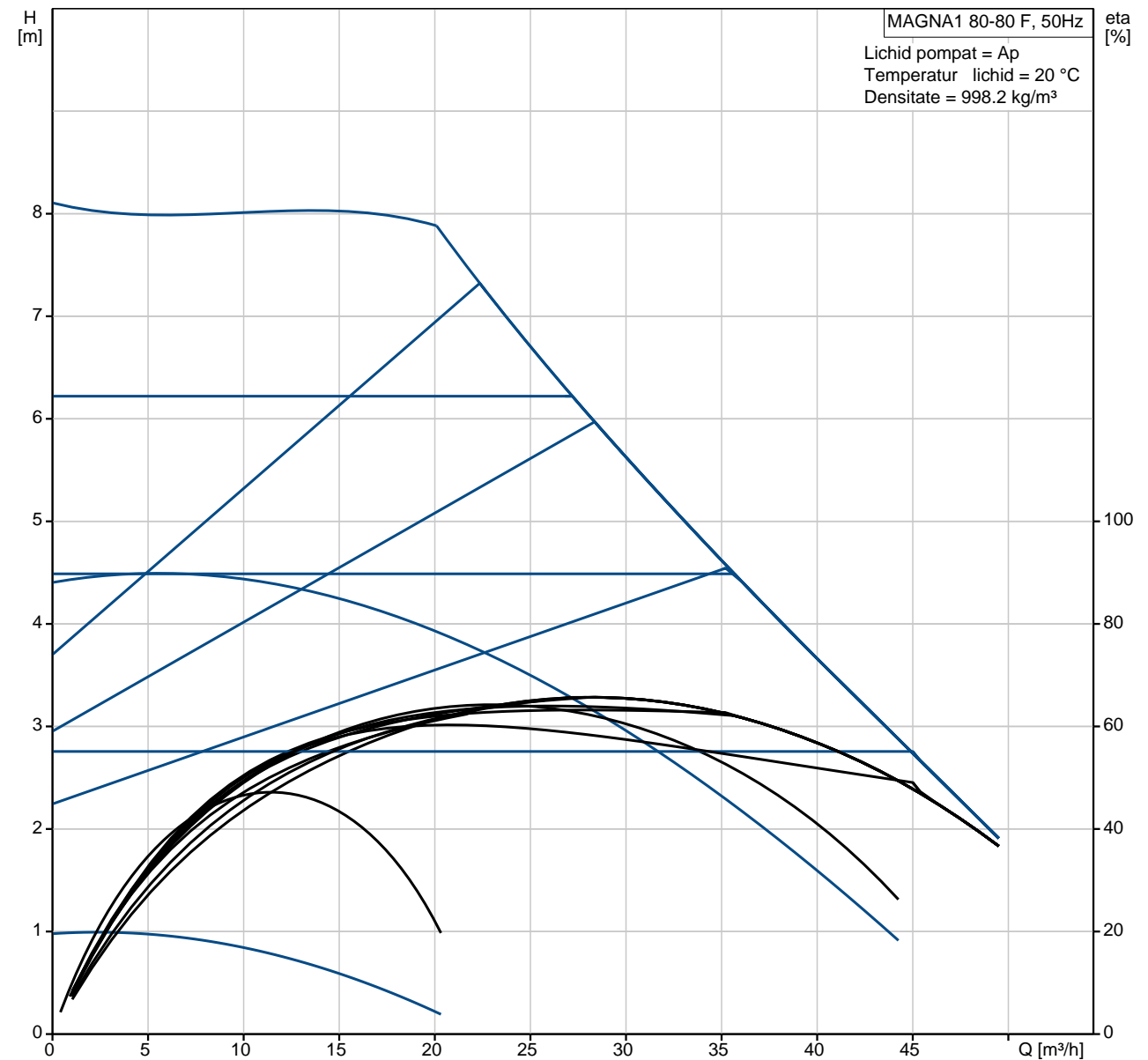


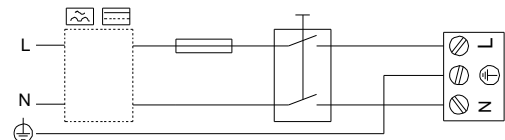
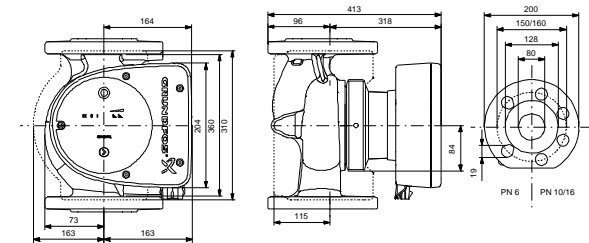
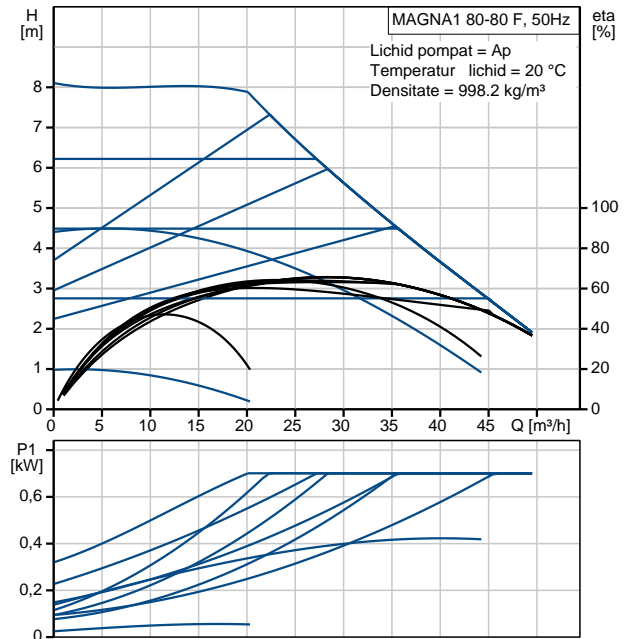
| Pozi ie | Cant. | Descriere | | | | | | | | | | | | |
|-------------------------------|-------------------------|--|--------------------|----|-------------------------------|---------------|---------------|-------|------------|-------------------------|-----------|-----|-----------------------|------------|
| | 1 | <p>MAGNA1 80-80 F</p>  <p style="text-align: center;">Not ! Poza de produs poate diferi de produsul actual</p> <p>Nr. Produs: 97924216</p> <p>MAGNA1 circulator pump with easy selection of pump setting The pump is of the canned-rotor type, i.e. pump and motor form an integral unit without shaft seal and with only two gaskets for sealing. The bearings are lubricated by the pumped liquid. In order to avoid problems in connection with disposal, great importance has been attached to using as few different materials as possible. A pump with no maintenance requirements and extremely low life cycle cost.</p> <p>Heating systems</p> <ul style="list-style-type: none"> • Main pump • mixing loops • heating surfaces • air-conditioning surfaces. <p>The MAGNA1 circulator pumps are designed for circulating liquids in heating systems with variable flows where it is desirable to optimise the setting of the pump duty point, thus reducing energy costs. The pumps are also suitable for domestic hot-water systems. To ensure correct operation, it is important that the sizing range of the system falls within the duty range of the pump. The pump is also suitable for systems with hot-water priority as an external signal can immediately force the pump to operate according to the max. curve, for example in solar-heating systems.</p> <p>Benefits</p> <ul style="list-style-type: none"> • Safe selection. • Simple installation. • Low energy consumption. All MAGNA1 pumps comply with the EuP requirements. • Nine light fields for indication of pump setting. Three proportional-pressure curves, three constant-pressure curves and three fixed-speed curves are available. • Low noise level. • No maintenance and long life. <p>Liquid:</p> <table> <tr> <td>Lichide pompatate:</td> <td>Ap</td> </tr> <tr> <td>Gama temperaturii lichidului:</td> <td>-10 .. 110 °C</td> </tr> <tr> <td>Temp. lichid:</td> <td>20 °C</td> </tr> <tr> <td>Densitate:</td> <td>998.2 kg/m³</td> </tr> </table> <p>Technical:</p> <table> <tr> <td>Clasa TF:</td> <td>110</td> </tr> <tr> <td>Aprob ri pe etichet :</td> <td>CE,VDE,PCT</td> </tr> </table> | Lichide pompatate: | Ap | Gama temperaturii lichidului: | -10 .. 110 °C | Temp. lichid: | 20 °C | Densitate: | 998.2 kg/m ³ | Clasa TF: | 110 | Aprob ri pe etichet : | CE,VDE,PCT |
| Lichide pompatate: | Ap | | | | | | | | | | | | | |
| Gama temperaturii lichidului: | -10 .. 110 °C | | | | | | | | | | | | | |
| Temp. lichid: | 20 °C | | | | | | | | | | | | | |
| Densitate: | 998.2 kg/m ³ | | | | | | | | | | | | | |
| Clasa TF: | 110 | | | | | | | | | | | | | |
| Aprob ri pe etichet : | CE,VDE,PCT | | | | | | | | | | | | | |

| Pozi ie | Cant. | Descriere |
|---------|-------|--|
| | | <p>Materials:</p> <p>Corpul pompei (stator): Font EN-GJL-250 ASTM A48-250B</p> <p>Rotor: PES 30%GF</p> <p>Instala ie:</p> <p>Gama temperaturii ambientale: 0 .. 40 °C Presiune de func ionare maxim : 6 bar Tip flan : DIN Racordarea pompei la instala ie: DN 80 Presiune maxim de func ionare: PN6 Distan a dintre porturi: 360 mm</p> <p>Electrical data:</p> <p>Power input - P1: 26.32 .. 715 W Curent consumat maxim: 0.28 .. 3.14 A Frecven a re elei electrice: 50 Hz Tensiune nominal : 1 x 230 V Grad de protec ie (IEC 34-5): X4D Clas de izolare (IEC 85): F</p> <p>Others:</p> <p>Label: Grundfos Blueflux Energy (EEI): 0.20 Greutate net : 29.6 kg Greutate brut : 32 kg Volum de transport: 0.072 m³</p> |

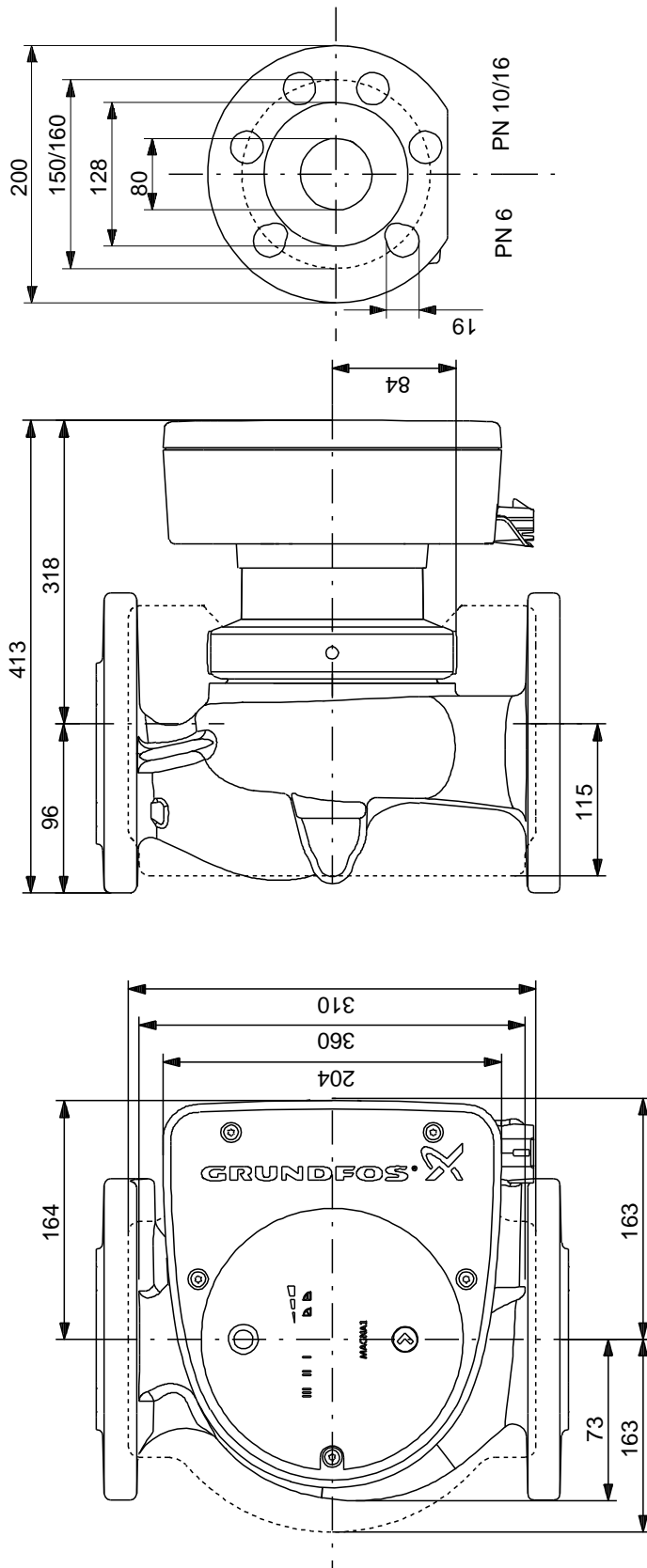
97924216 MAGNA1 80-80 F 50 Hz



| Descriere | Valori i tipuri |
|----------------------------------|-------------------------|
| Nume produs: | MAGNA1 80-80 F |
| Nr. produs: | 97924216 |
| Num rul EAN: | 5710626492909 |
| Technical: | |
| În l ime de pompare max.: | 80 dm |
| Clasa TF: | 110 |
| Aprob ri pe etichet : | CE,VDE,PCT |
| Model: | A |
| Materials: | |
| Corpul pompei (stator): | Font EN-GJL-250 |
| | ASTM A48-250B |
| Rotor: | PES 30%GF |
| Instala ie: | |
| Gama temperaturii ambientale: | 0 .. 40 °C |
| Presiune de func ionare maxim : | 6 bar |
| Tip flan : | DIN |
| Racordarea pompei la instala ie: | DN 80 |
| Presiune maxim de func ionare: | PN6 |
| Distan a dintre porturi: | 360 mm |
| Liquid: | |
| Lichide pompate: | Ap |
| Gama temperaturii lichidului: | -10 .. 110 °C |
| Temp. lichid: | 20 °C |
| Densitate: | 998.2 kg/m ³ |
| Electrical data: | |
| Power input - P1: | 26.32 .. 715 W |
| Curent consumat maxim: | 0.28 .. 3.14 A |
| Frecven a re elei electrice: | 50 Hz |
| Tensiune nominal : | 1 x 230 V |
| Grad de protec ie (IEC 34-5): | X4D |
| Clas de izolare (IEC 85): | F |
| Others: | |
| Label: | Grundfos Blueflux |
| Energy (EEI): | 0.20 |
| Greutate net : | 29.6 kg |
| Greutate brut : | 32 kg |
| Volum de transport: | 0.072 m ³ |

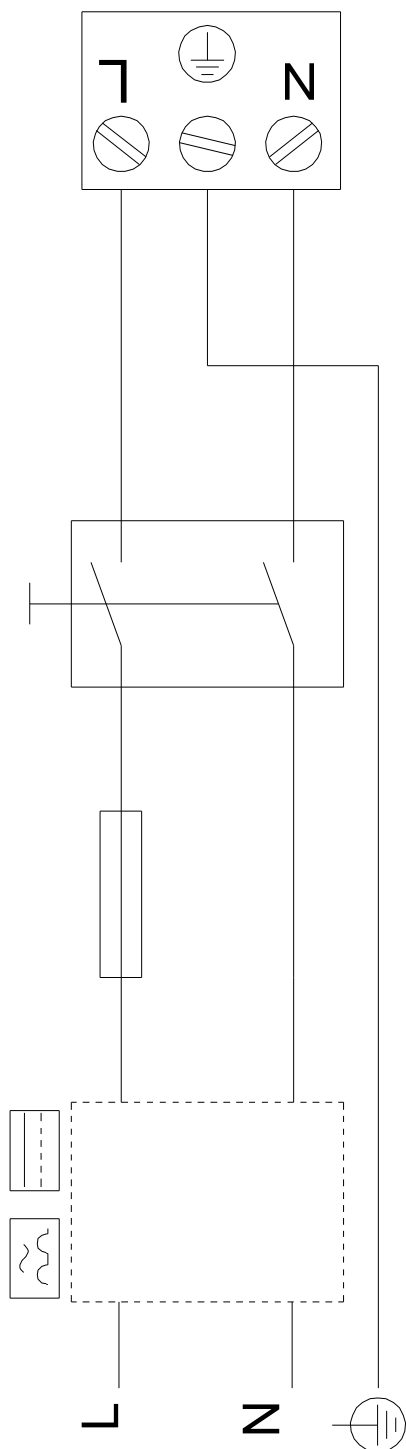


97924216 MAGNA1 80-80 F 50 Hz



Note! All units are in [mm] unless others are stated.
 Disclaimer: This simplified dimensional drawing does not show all details.

97924216 MAGNA1 80-80 F 50 Hz



Not ! Toate unit ile sunt în [mm] dac nu altele sunt condi iile.