
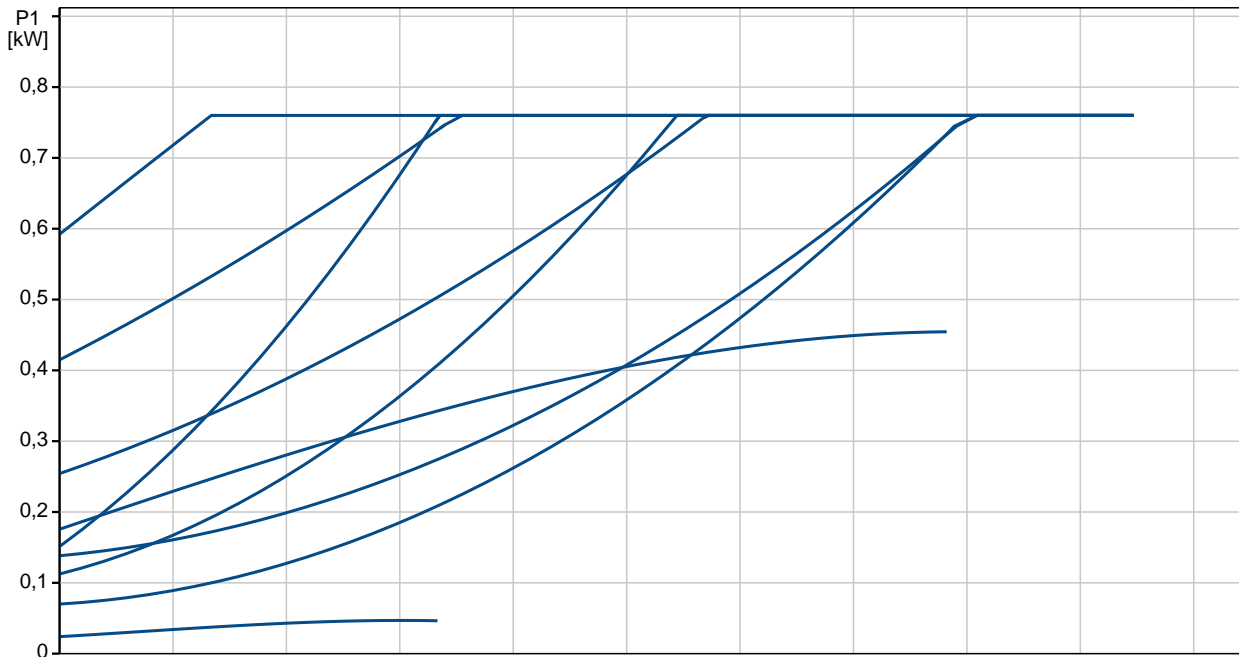
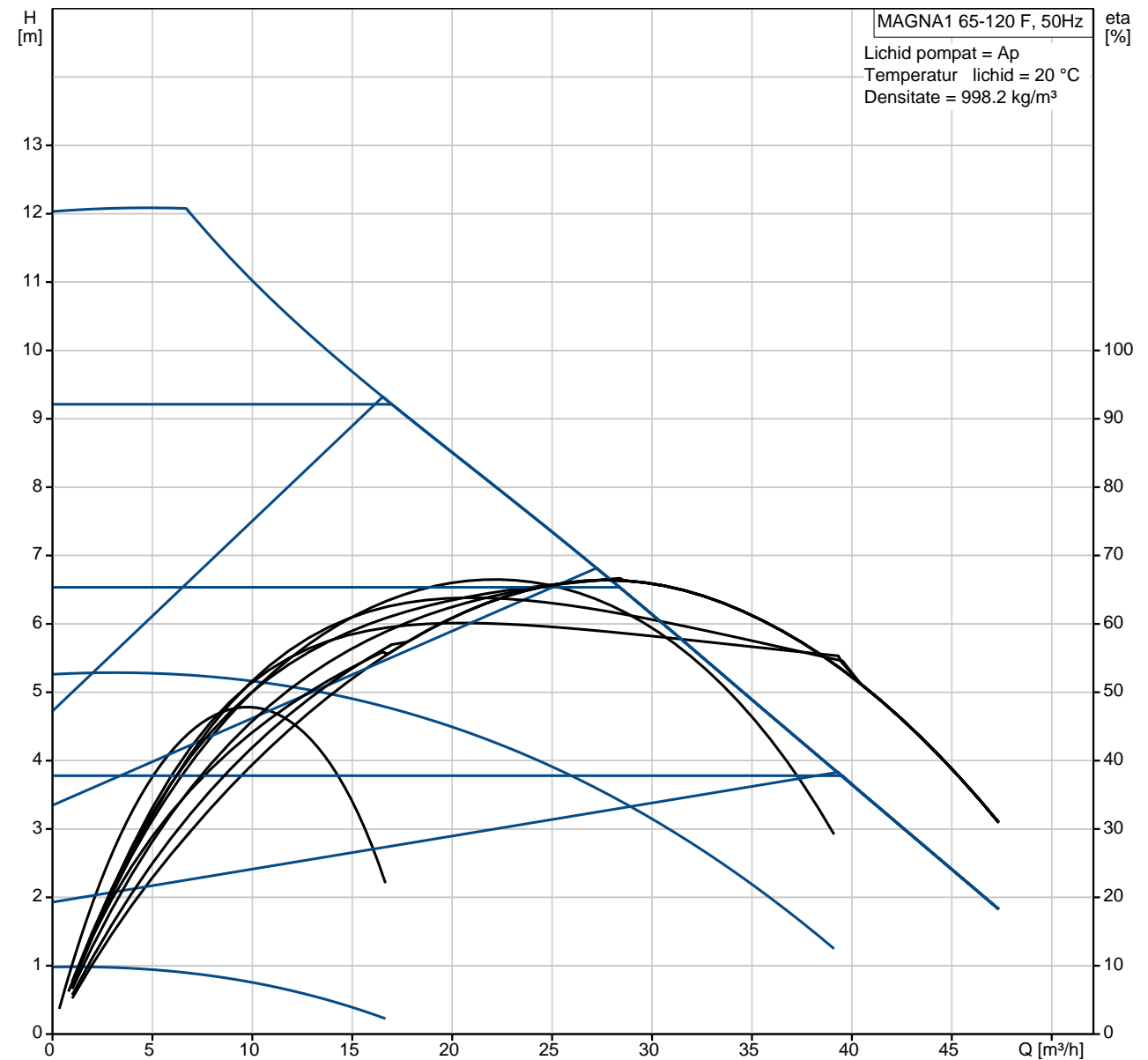


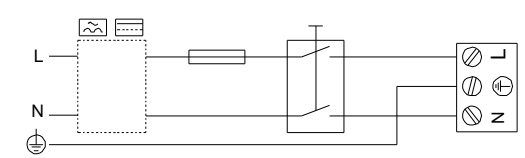
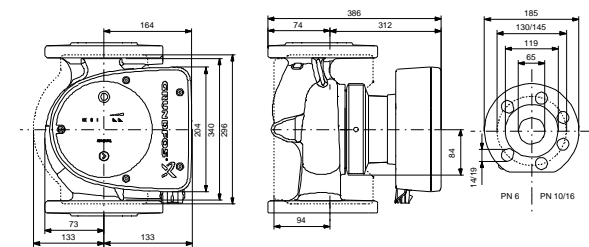
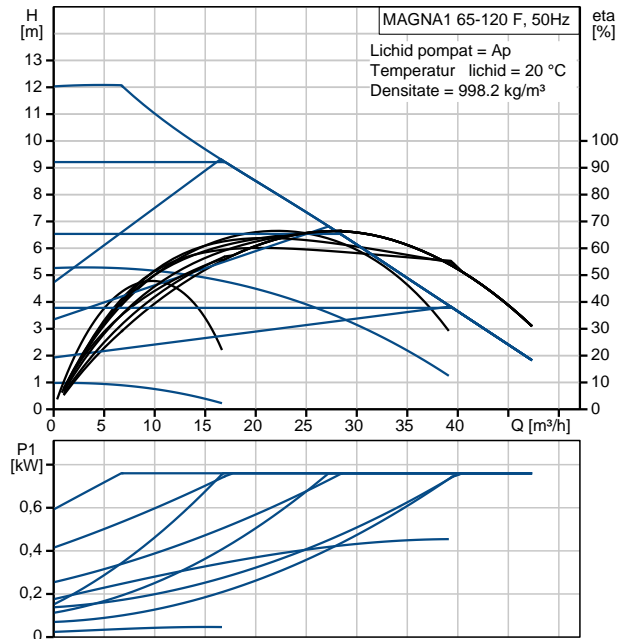
Pozi ie	Cant.	Descriere												
	1	<p><b>MAGNA1 65-120 F</b></p>  <p style="text-align: center;"><b>Not ! Poza de produs poate diferi de produsul actual</b></p> <p>Nr. Produs: <a href="#">97924206</a></p> <p>MAGNA1 circulator pump with easy selection of pump setting  The pump is of the canned-rotor type, i.e. pump and motor form an integral unit without shaft seal and with only two gaskets for sealing.  The bearings are lubricated by the pumped liquid.  In order to avoid problems in connection with disposal, great importance has been attached to using as few different materials as possible.  A pump with no maintenance requirements and extremely low life cycle cost.</p> <p>Heating systems</p> <ul style="list-style-type: none"> <li>• Main pump</li> <li>• mixing loops</li> <li>• heating surfaces</li> <li>• air-conditioning surfaces.</li> </ul> <p>The MAGNA1 circulator pumps are designed for circulating liquids in heating systems with variable flows where it is desirable to optimise the setting of the pump duty point, thus reducing energy costs. The pumps are also suitable for domestic hot-water systems.  To ensure correct operation, it is important that the sizing range of the system falls within the duty range of the pump.  The pump is also suitable for systems with hot-water priority as an external signal can immediately force the pump to operate according to the max. curve, for example in solar-heating systems.</p> <p>Benefits</p> <ul style="list-style-type: none"> <li>• Safe selection.</li> <li>• Simple installation.</li> <li>• Low energy consumption. All MAGNA1 pumps comply with the EuP requirements.</li> <li>• Nine light fields for indication of pump setting. Three proportional-pressure curves, three constant-pressure curves and three fixed-speed curves are available.</li> <li>• Low noise level.</li> <li>• No maintenance and long life.</li> </ul> <p><b>Liquid:</b></p> <table style="width: 100%;"> <tr> <td>Lichide pompatate:</td> <td>Ap</td> </tr> <tr> <td>Gama temperaturii lichidului:</td> <td>-10 .. 110 °C</td> </tr> <tr> <td>Temp. lichid:</td> <td>20 °C</td> </tr> <tr> <td>Densitate:</td> <td>998.2 kg/m<sup>3</sup></td> </tr> </table> <p><b>Technical:</b></p> <table style="width: 100%;"> <tr> <td>Clasa TF:</td> <td>110</td> </tr> <tr> <td>Aprob ri pe etichet :</td> <td>CE,VDE,PCT</td> </tr> </table>	Lichide pompatate:	Ap	Gama temperaturii lichidului:	-10 .. 110 °C	Temp. lichid:	20 °C	Densitate:	998.2 kg/m <sup>3</sup>	Clasa TF:	110	Aprob ri pe etichet :	CE,VDE,PCT
Lichide pompatate:	Ap													
Gama temperaturii lichidului:	-10 .. 110 °C													
Temp. lichid:	20 °C													
Densitate:	998.2 kg/m <sup>3</sup>													
Clasa TF:	110													
Aprob ri pe etichet :	CE,VDE,PCT													

Pozi ie	Cant.	Descriere
		<p><b>Materials:</b>  Corpul pompei (stator): Font  EN-GJL-250  ASTM A48-250B  Rotor: PES 30%GF</p> <p><b>Instala ie:</b>  Gama temperaturii ambientale: 0 .. 40 °C  Presiune de func ionare maxim : 10 bar  Tip flan : DIN  Racordarea pompei la instala ie: DN 65  Presiune maxim de func ionare: PN6/10  Distan a dintre porturi: 340 mm</p> <p><b>Electrical data:</b>  Power input - P1: 24.38 .. 774 W  Curent consumat maxim: 0.26 .. 3.42 A  Frecven a re elei electrice: 50 Hz  Tensiune nominal : 1 x 230 V  Grad de protec ie (IEC 34-5): X4D  Clas de izolare (IEC 85): F</p> <p><b>Others:</b>  Label: Grundfos Blueflux  Energy (EEL): 0.18  Greutate net : 21.6 kg  Greutate brut : 23.8 kg  Volum de transport: 0.057 m³</p>

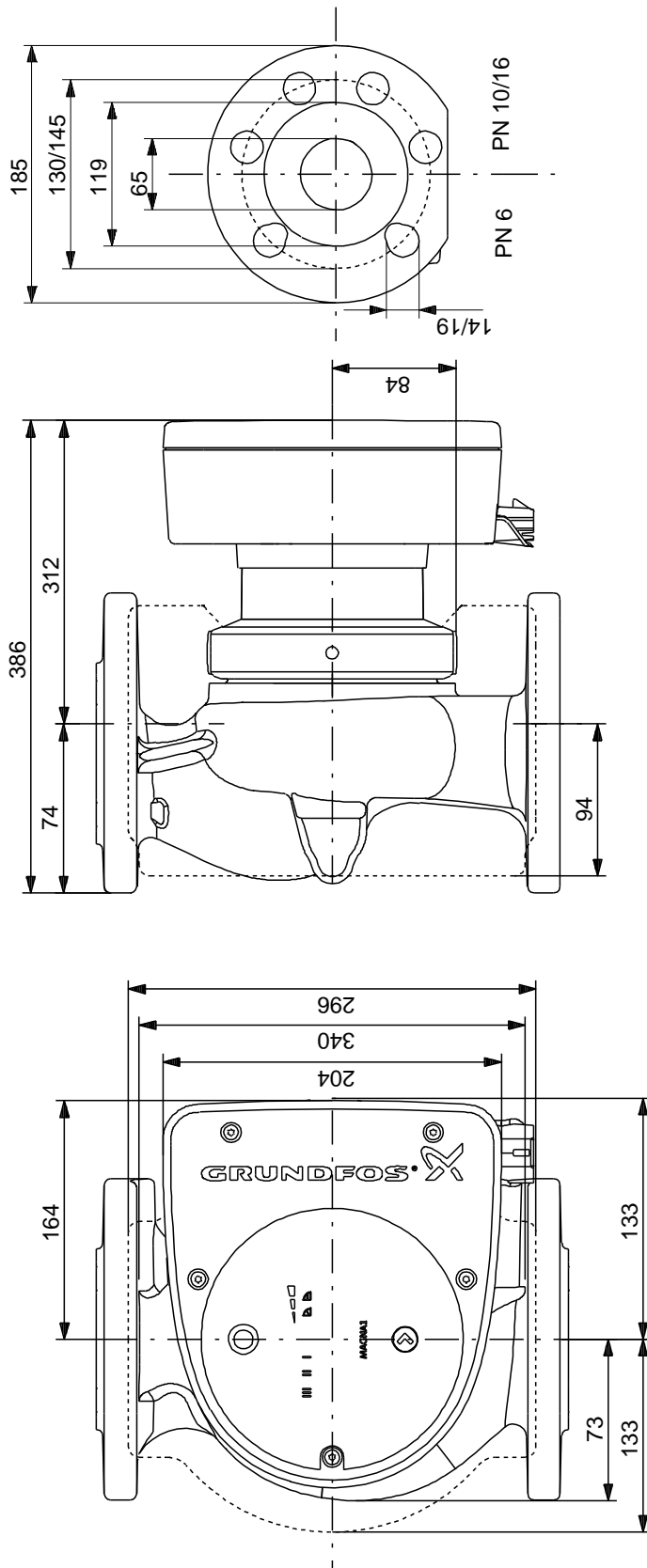
# 97924206 MAGNA1 65-120 F 50 Hz



Descriere	Valori i tipuri
Nume produs:	MAGNA1 65-120 F
Nr. produs:	97924206
Num rul EAN:	5710626492800
<b>Technical:</b>	
În l ime de pompare max.:	120 dm
Clasa TF:	110
Aprob ri pe etichet :	CE,VDE,PCT
Model:	A
<b>Materials:</b>	
Corpul pompei (stator):	Font EN-GJL-250
	ASTM A48-250B
Rotor:	PES 30%GF
<b>Instala ie:</b>	
Gama temperaturii ambientale:	0 .. 40 °C
Presiune de func ionare maxim :	10 bar
Tip flan :	DIN
Racordarea pompei la instala ie:	DN 65
Presiune maxim de func ionare:	PN6/10
Distan a dintre porturi:	340 mm
<b>Liquid:</b>	
Lichide pompate:	Ap
Gama temperaturii lichidului:	-10 .. 110 °C
Temp. lichid:	20 °C
Densitate:	998.2 kg/m <sup>3</sup>
<b>Electrical data:</b>	
Power input - P1:	24.38 .. 774 W
Curent consumat maxim:	0.26 .. 3.42 A
Frecven a re elei electrice:	50 Hz
Tensiune nominal :	1 x 230 V
Grad de protec ie (IEC 34-5):	X4D
Clas de izolare (IEC 85):	F
<b>Others:</b>	
Label:	Grundfos Blueflux
Energy (EEI):	0.18
Greutate net :	21.6 kg
Greutate brut :	23.8 kg
Volum de transport:	0.057 m <sup>3</sup>

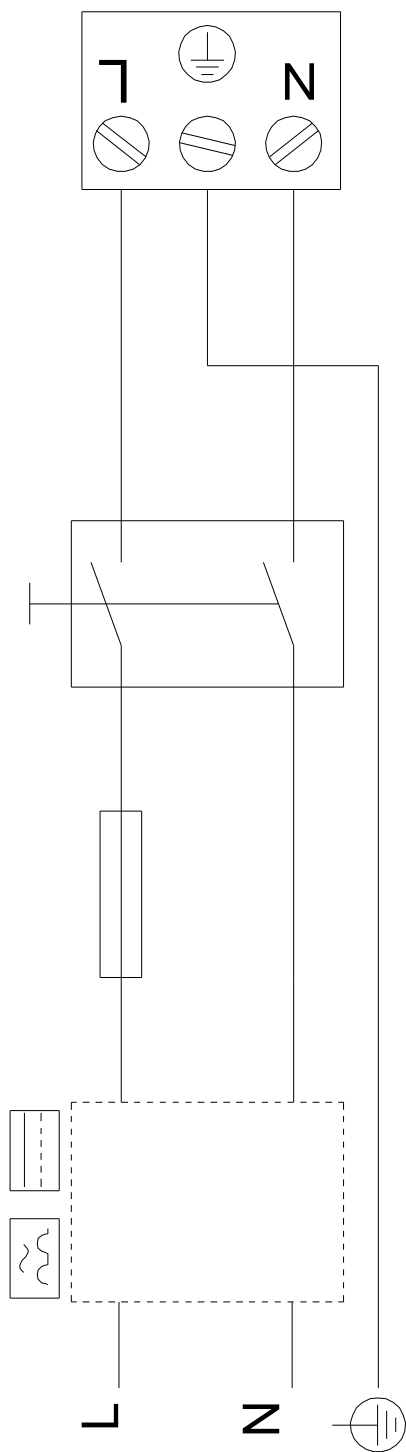


97924206 MAGNA1 65-120 F 50 Hz



Note! All units are in [mm] unless others are stated.  
 Disclaimer: This simplified dimensional drawing does not show all details.

97924206 MAGNA1 65-120 F 50 Hz



Not ! Toate unit ile sunt în [mm] dac nu altele sunt condi iile.