
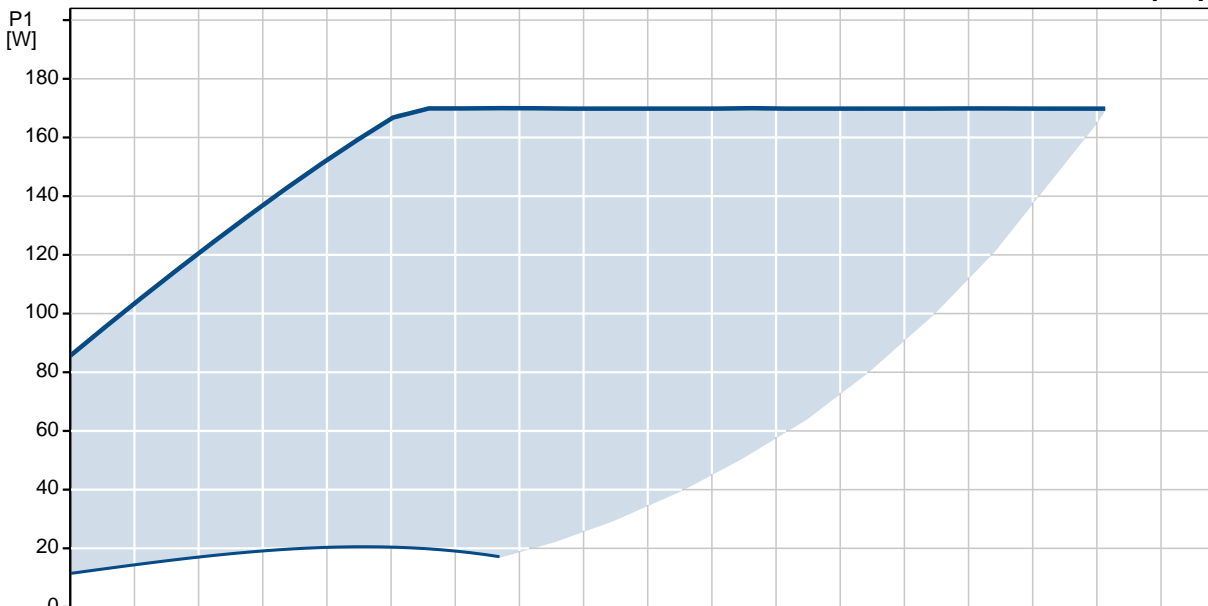
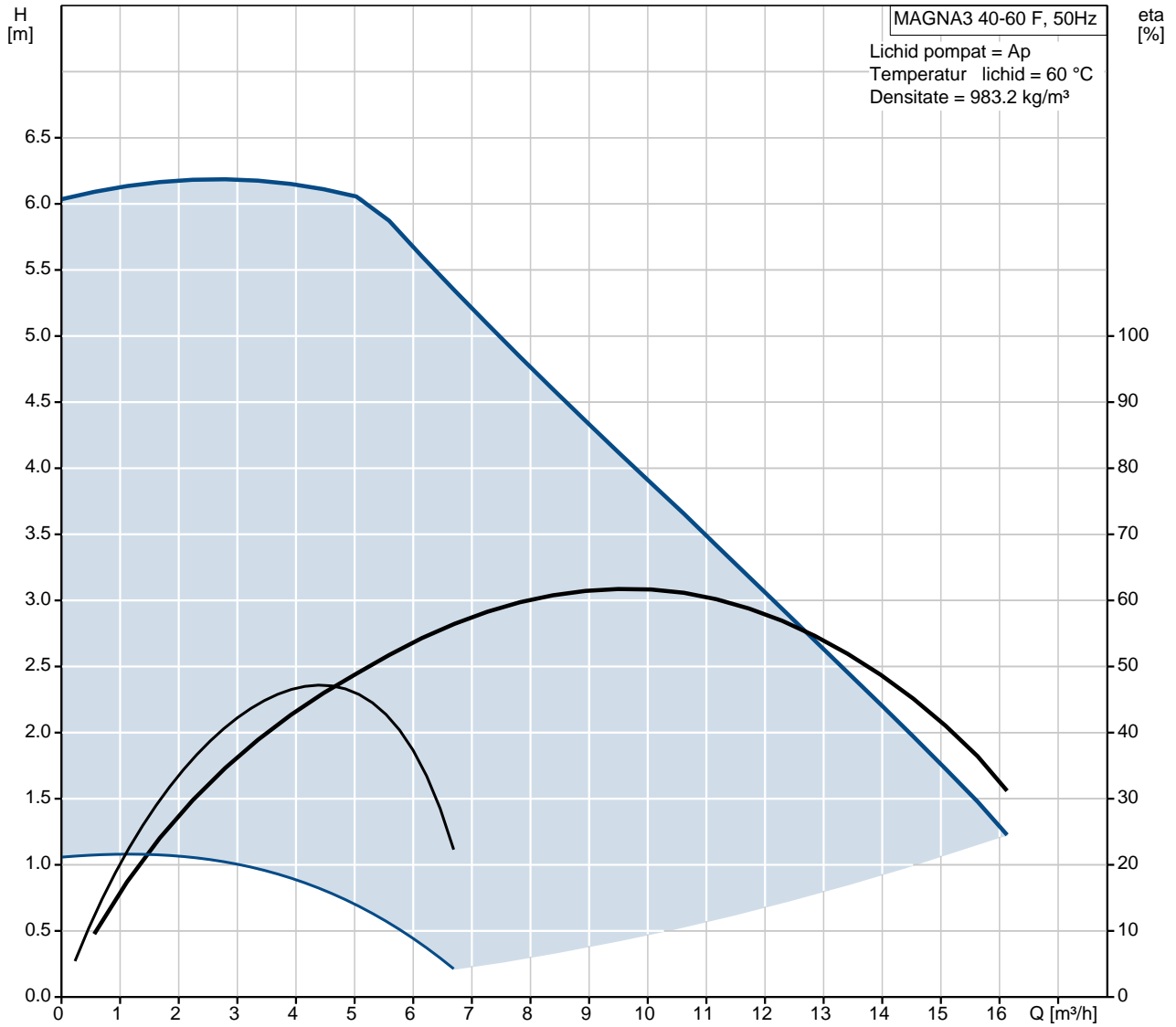


Pozi ie	Cant.	Descriere
	1	<p><b>MAGNA3 40-60 F</b></p>  <p style="text-align: center;"><b>Not ! Poza de produs poate diferi de produsul actual</b></p> <p>Nr. Produs: <a href="#">97924267</a></p> <p><b>MAGNA3 – More than a pump</b>            With its unrivalled efficiency, all-encompassing range and built-in communication capabilities plus functionalities replacing system components, the MAGNA3 is ideal for engineers and specifiers looking to create high-performance systems for buildings.</p> <p>This pump in the Grundfos Master Class will fit both heating and cooling applications perfectly, making it the obvious choice for almost any building project – old or new.</p> <p>The MAGNA3 is of the canned-rotor type, i.e. pump and motor form an integral unit without shaft seal and with only two gaskets for sealing. The bearings are lubricated by the pumped liquid.</p> <p>The innovative clamp with only one screw enables easy repositioning of the pump head.</p> <p>The MAGNA3 is a pump with no maintenance requirements and with extremely low Life Cycle Cost.</p> <p>The pump is characterised by the following:</p> <ul style="list-style-type: none"> <li>• controller integrated in the control box</li> <li>• control panel with TFT display on the control box</li> <li>• control box prepared for optional CIM modules</li> <li>• built-in differential-pressure and temperature sensor</li> <li>• cast-iron pump housing (depending on model)</li> <li>• carbon-fibre-reinforced composite rotor can</li> <li>• stainless-steel bearing plate and rotor cladding</li> <li>• aluminium alloy stator housing</li> <li>• air-cooled power electronics</li> </ul> <p>The MAGNA3 is a single-phase pump.</p> <p><b>Characteristic features</b></p> <ul style="list-style-type: none"> <li>• AUTOADAPT.</li> <li>• FLOWADAPT and FLOWLIMIT (more than a pump function as it reduces the need for pump throttling valves).</li> <li>• Proportional-pressure control.</li> <li>• Constant-pressure control.</li> <li>• Constant-temperature control.</li> <li>• Constant-curve duty.</li> <li>• Max. or min. curve duty.</li> <li>• Automatic Night Setback.</li> <li>• No external motor protection required.</li> <li>• Insulating shells supplied with single-head pumps for heating systems.</li> <li>• Large temperature range where the liquid temperature and the ambient temperature are independent of each other.</li> </ul> <p><b>Communication</b>            The MAGNA3 enables communication via the following:</p> <ul style="list-style-type: none"> <li>• wireless Grundfos GO Remote</li> <li>• fieldbus communication via CIM modules</li> </ul>

Pozitie	Cant.	Descriere
		<ul style="list-style-type: none"> <li>• digital inputs</li> <li>• relay outputs</li> <li>• analog input (more than a pump function as heat energy meter)</li> </ul> <p>Motor and electronic controller The MAGNA3 incorporates a 4-pole synchronous, permanent-magnet motor (PM motor). This motor type is characterised by higher efficiency than a conventional asynchronous squirrel-cage motor. The pump speed is controlled by an integrated frequency converter. A differential-pressure and temperature sensor is incorporated in the pump.</p> <p><b>Liquid:</b> Lichide pompate: Ap Gama temperaturii lichidului: -10 .. 110 °C Temp. lichid: 60 °C Densitate: 983.2 kg/m<sup>3</sup></p> <p><b>Technical:</b> Clasa TF: 110 Aprob ri pe etichet : CE,VDE,EAC</p> <p><b>Materials:</b> Corpul pompei (stator): Font EN-GJL-250 ASTM A48-250B Rotor: PES 30%GF</p> <p><b>Instalatie:</b> Gama temperaturii ambientale: 0 .. 40 °C Presiune de func ionare maxim : 10 bar Tip flan : DIN Racordarea pompei la instalatie: DN 40 Presiune maxim de func ionare: PN6/10 Distan a dintre porturi: 220 mm</p> <p><b>Electrical data:</b> Power input - P1: 12 .. 178 W Frecven a re elei electrice: 50 Hz Tensiune nominal : 1 x 230 V Curent consumat maxim: 0.11 .. 1.47 A Grad de protec ie (IEC 34-5): X4D Clas de izolare (IEC 85): F</p> <p><b>Others:</b> Label: Grundfos Blueflux Energy (EEI): 0.19 Greutate net : 9.92 kg Greutate brut : 10.4 kg Volum de transport: 0.016 m<sup>3</sup></p>

## 97924267 MAGNA3 40-60 F 50 Hz



**Descriere** Valori i tipuri

**Informa ii generale:**

Nume produs::	MAGNA3 40-60 F
Nr. produs::	97924267
Numărul EAN::	5710626493425
Pre :	La cerere

**Technical:**

În l ime de pompare max.:	60 dm
Clasa TF:	110
Aprob ri pe etichet :	CE,VDE,EAC
Model:	B

**Materials:**

Corpul pompei (stator):	Font EN-GJL-250
	ASTM A48-250B
Rotor:	PES 30%GF

**Instala ie:**

Gama temperaturii ambientale:	0 .. 40 °C
Presiune de func ionare maxim :	10 bar
Tip flan :	DIN
Racordarea pompei la instala ie:	DN 40
Presiune maxim de func ionare:	PN6/10
Distan a dintre porturi:	220 mm

**Liquid:**

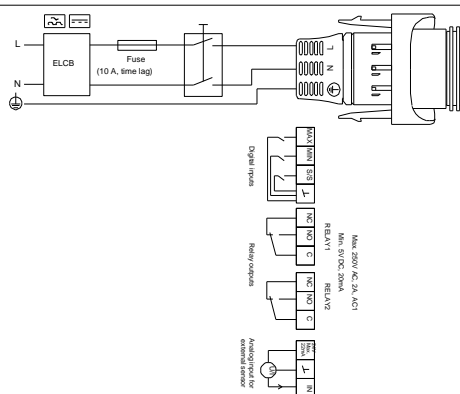
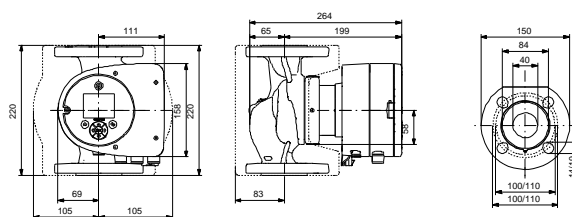
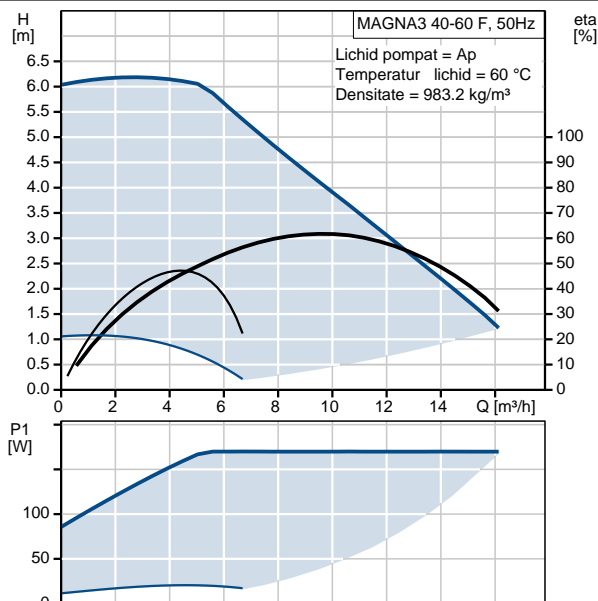
Lichide pompate:	Ap
Gama temperaturii lichidului:	-10 .. 110 °C
Temp. lichid:	60 °C
Densitate:	983.2 kg/m <sup>3</sup>

**Electrical data:**

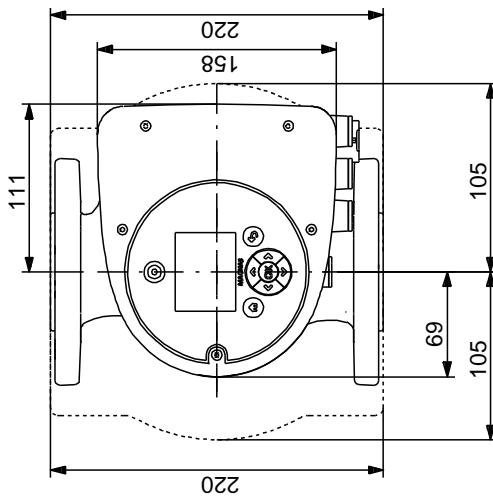
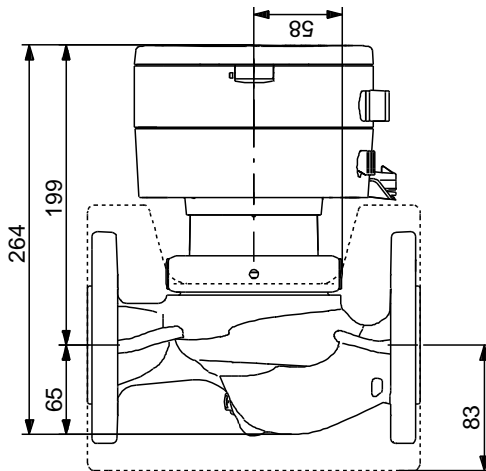
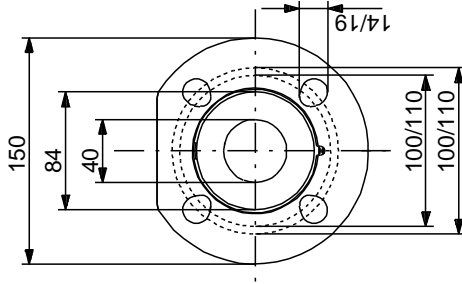
Power input - P1:	12 .. 178 W
Frecven a re lei electrice:	50 Hz
Tensiune nominal :	1 x 230 V
Curent consumat maxim:	0.11 .. 1.47 A
Grad de protec ie (IEC 34-5):	X4D
Clas de izolare (IEC 85):	F

**Others:**

Label:	Grundfos Blueflux
Energy (EEI):	0.19
Greutate net :	9.92 kg
Greutate brut :	10.4 kg
Volum de transport:	0.016 m <sup>3</sup>

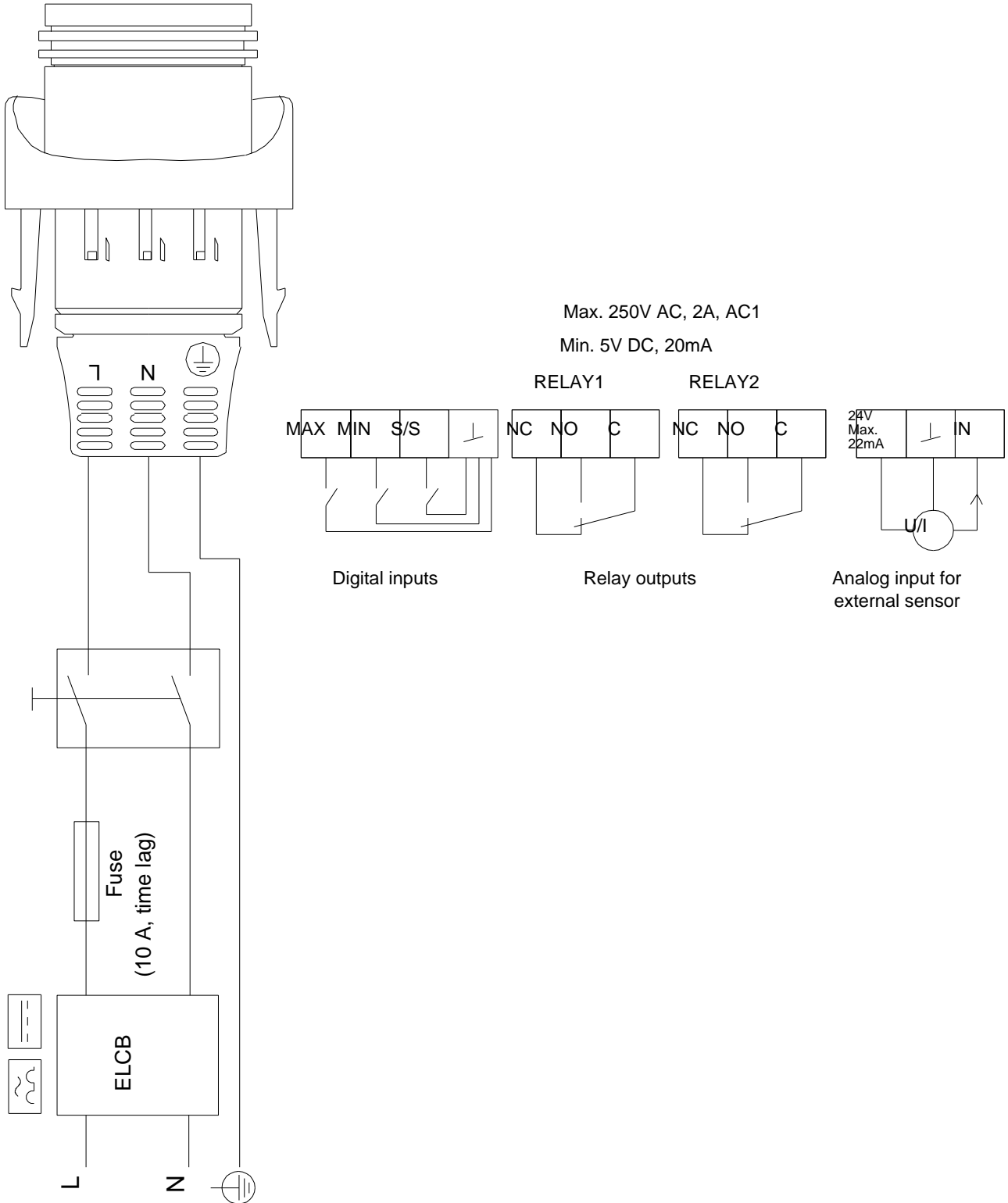


## 97924267 MAGNA3 40-60 F 50 Hz



Note! All units are in [mm] unless others are stated.  
Disclaimer: This simplified dimensional drawing does not show all details.

## 97924267 MAGNA3 40-60 F 50 Hz



Not ! Toate unit ile sunt în [mm] dac nu altele sunt condi iile.