
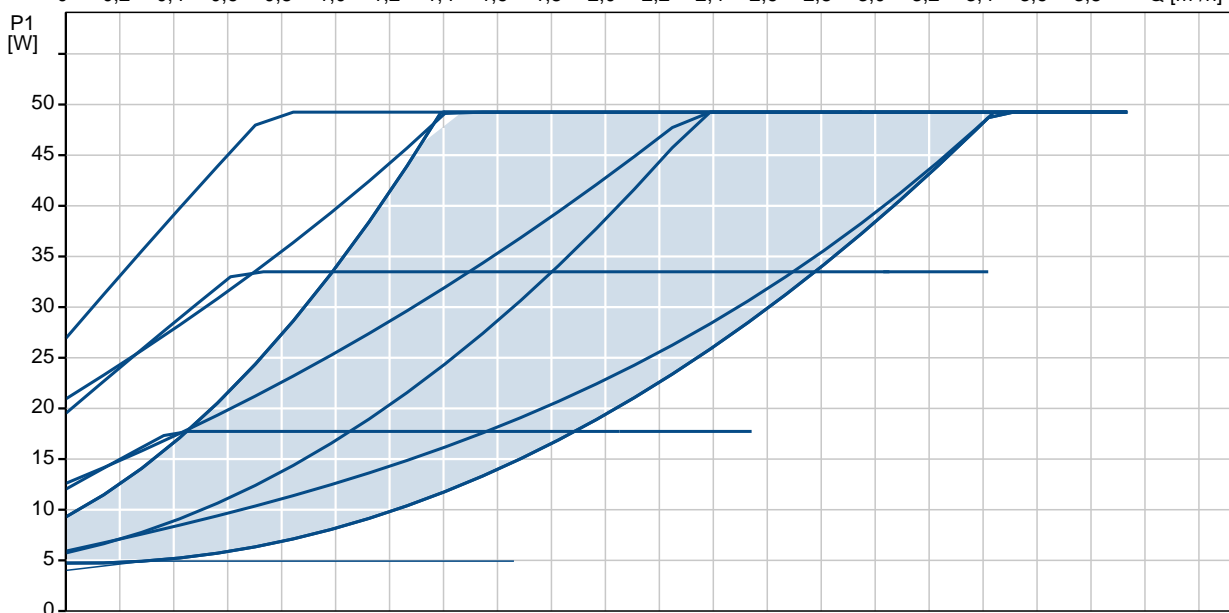
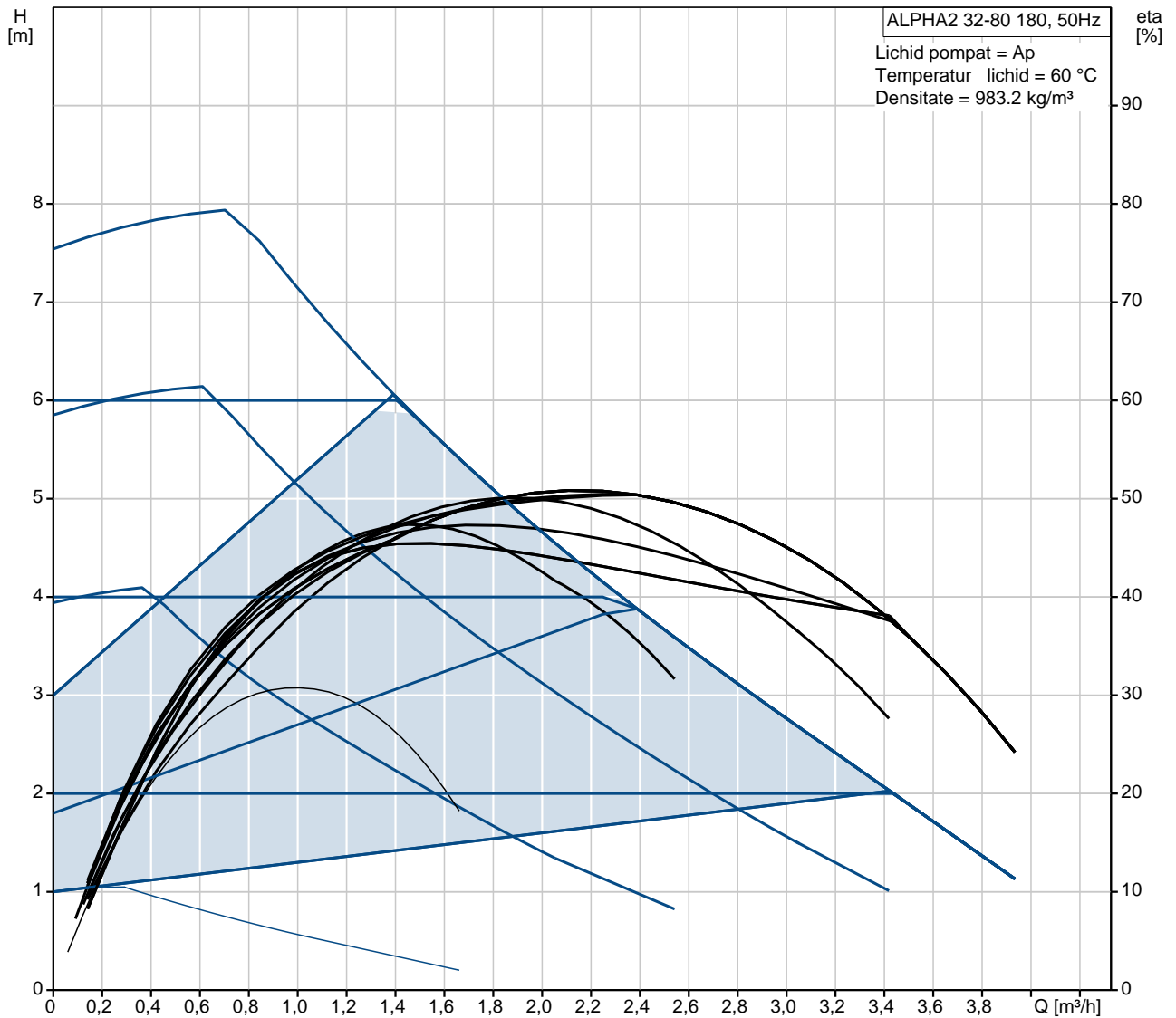


Pozitie	Cant.	Descriere
	1	<p><b>ALPHA2 32-80 180</b></p>  <p>Nr. Produs: <a href="#">98676766</a></p> <ul style="list-style-type: none"> <li>• AUTOADAPT function automatically finds the best setpoint and thus reduces the energy consumption and setup time.</li> <li>• Insulating shells are supplied with pumps to minimise ENERGY heat loss in heating and cooling systems.</li> <li>• A display shows the actual power consumption in Watt or actual flow rate in m<sup>3</sup>/h for control purposes.</li> <li>• The best energy efficiency index (EEI) in the market provides the highest energy savings during a year.</li> <li>• Stainless-steel pump housings are available if the application demand corrosion resistance or for drinking water, DHW applications.</li> <li>• Complies with the German regulation for energy saving in buildings and building systems, Energieeinsparverordnung – EnEV §14(3).</li> <li>• Automatic night setback function that further reduces the energy consumption if the boiler provides this feature.</li> <li>• Simple selection among three constant-pressure curves, three proportional-pressure curves or three fixed speeds with only one button . Quick and simple setup.</li> <li>• ALPHA plug. Easy, quick and safe electrical connection.</li> <li>• ALPHA2 is suitable for cold-water systems,drinking water approval. High application flexibility .</li> <li>• Electro-coated pump housing.</li> <li>• No external motor protection is required. Reduced installation time and costs.</li> <li>• New improved start. Secure start under tough conditions.</li> <li>• New advanced. Dry- running protection. Protects the pump at initial start-up and daily operation if there is no water in the pump.</li> <li>• Manual summer mode. Saves energy during the summertime –consumption &lt;0,8W and ensures safe start at the next heating season.</li> </ul> <p><b>Liquid:</b>                      Lichide pompatate: Ap                      Gama temperaturii lichidului: 2 .. 110 °C                      Temp. lichid: 60 °C                      Densitate: 983.2 kg/m<sup>3</sup></p> <p><b>Technical:</b>                      Clasa TF: 110                      Aprob ri pe etichet : VDE,GS,CE</p> <p><b>Materials:</b>                      Corpul pompei (stator): Font                      EN-GJL-150                      ASTM A48-150B                      Rotor: PES 30%GF</p> <p><b>Instalatie:</b>                      Gama temperaturii ambientale: 0 .. 40 °C</p>

Pozitie	Cant.	Descriere
		<p>Presiune de func ionare maxim : 10 bar Racordarea pompei la instala ie: G 2 Presiune maxim de func ionare: PN 10 Distan a dintre porturi: 180 mm</p> <p><b>Electrical data:</b> Power input - P1: 3 .. 50 W Frecven a re elei electrice: 50 Hz Tensiune nominal : 1 x 230 V Curent consumat maxim: 0.04 .. 0.44 A Grad de protec ie (IEC 34-5): X4D Clas de izolare (IEC 85): F</p> <p><b>Others:</b> Energy (EEI): 0.18 Greutate net : 2.18 kg Greutate brut : 2.3 kg</p>

## 98676766 ALPHA2 32-80 180 50 Hz



Descriere	Valori i tipuri
-----------	-----------------

**Informa ii generale:**

Nume produs::	ALPHA2 32-80 180
Nr. produs::	98676766
Numărul EAN::	5711499431620
Pre :	La cerere

**Technical:**

În l ime de pompare max.:	80 dm
Clasa TF:	110
Aprob ri pe etichet :	VDE,GS,CE
Model:	D

**Materials:**

Corpul pompei (stator):	Font
	EN-GJL-150
	ASTM A48-150B
Rotor:	PES 30%GF

**Instala ie:**

Gama temperaturii ambientale:	0 .. 40 °C
Presiune de func ionare maxim :	10 bar
Racordarea pompei la instala ie:	G 2
Presiune maxim de func ionare:	PN 10
Distan a dintre porturi:	180 mm

**Liquid:**

Lichide pompate:	Ap
Gama temperaturii lichidului:	2 .. 110 °C
Temp. lichid:	60 °C
Densitate:	983.2 kg/m <sup>3</sup>

**Electrical data:**

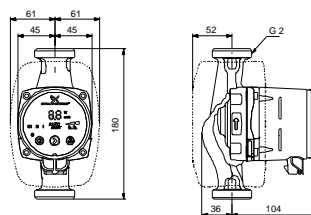
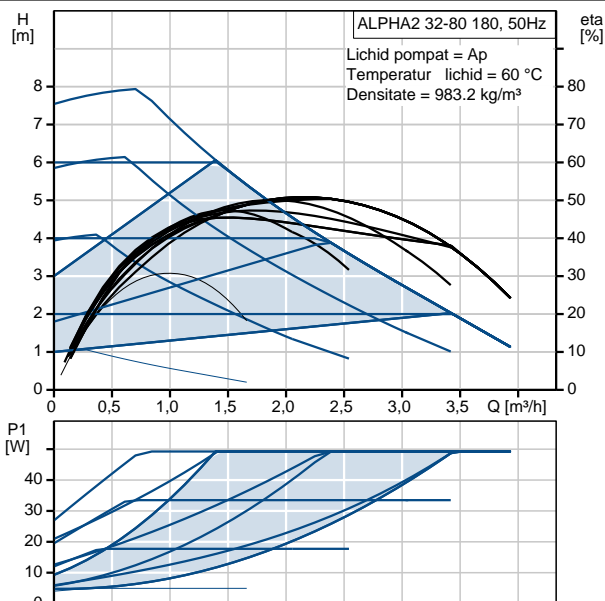
Power input - P1:	3 .. 50 W
Frecven a re elei electrice:	50 Hz
Tensiune nominal :	1 x 230 V
Curent consumat maxim:	0.04 .. 0.44 A
Grad de protec ie (IEC 34-5):	X4D
Clas de izolare (IEC 85):	F
Tip protec ie motor încorporat :	F R
Protec ie termic :	ELEC

**Controls:**

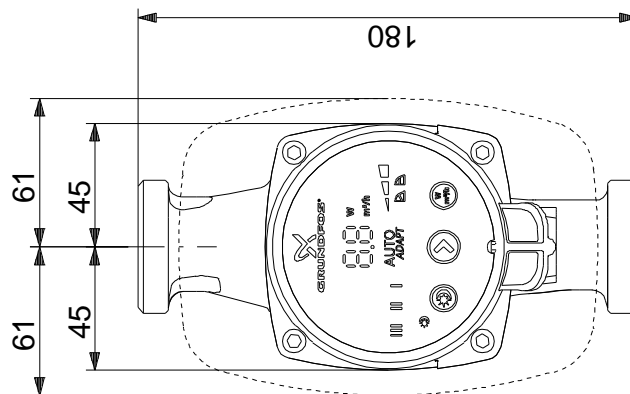
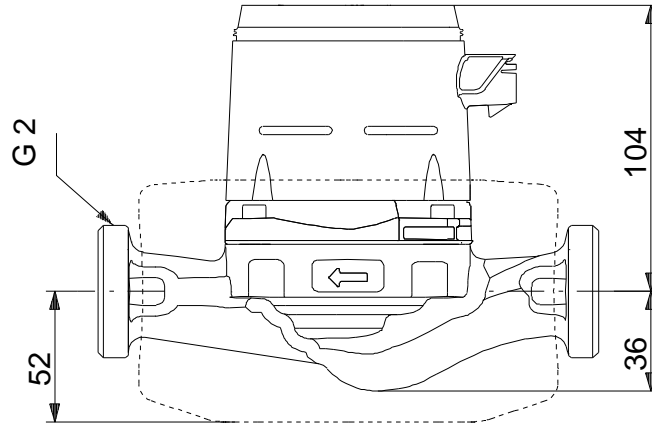
Automat noaptea:	func ionare redus automat pe timp te noapte inclus
Pozi ia cutiei de conexiuni:	6H

**Others:**

Energy (EEI):	0.18
Greutate net :	2.18 kg
Greutate brut :	2.3 kg

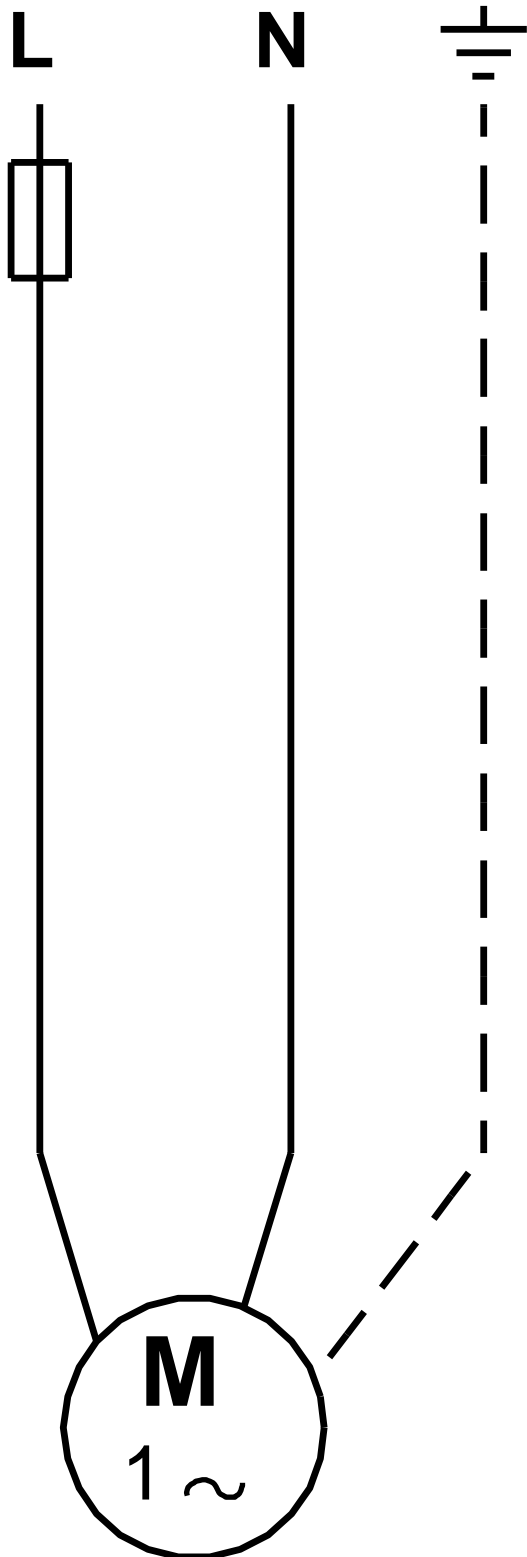


## 98676766 ALPHA2 32-80 180 50 Hz



Note! All units are in [mm] unless others are stated.  
Disclaimer: This simplified dimensional drawing does not show all details.

**98676766 ALPHA2 32-80 180 50 Hz**



Not ! Toate unit ile sunt în [mm] dac nu altele sunt condi iile.