
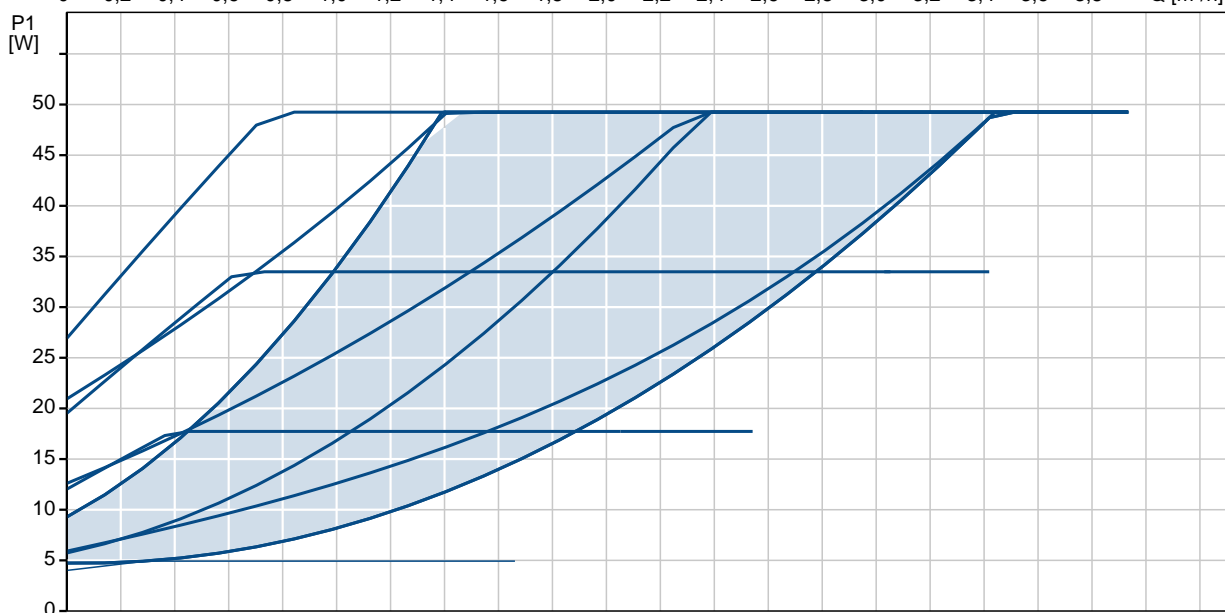
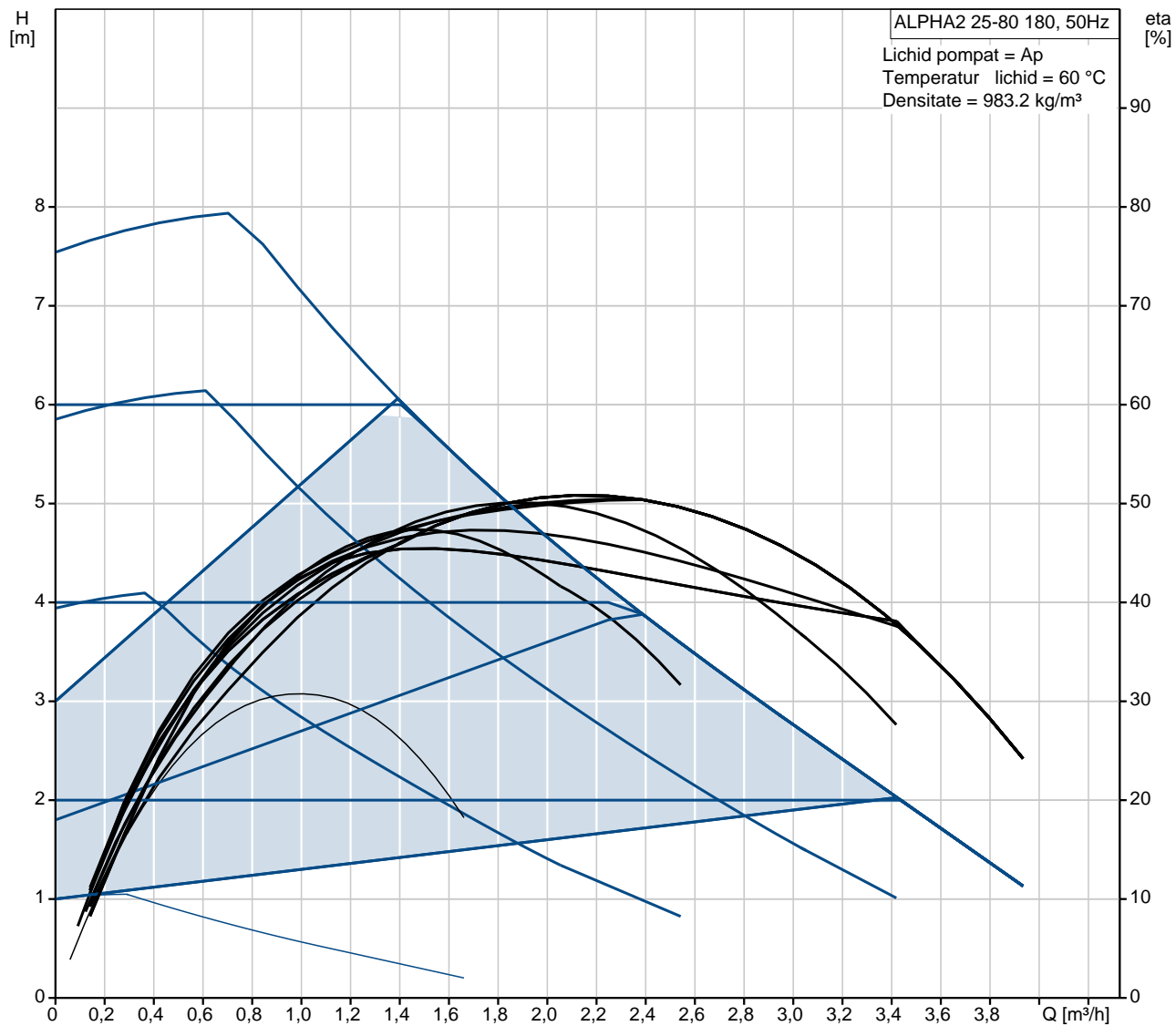


Pozitie	Cant.	Descriere
	1	<p>ALPHA2 25-80 180</p>  <p>Nr. Produs: 98649757</p> <ul style="list-style-type: none"> • AUTOADAPT function automatically finds the best setpoint and thus reduces the energy consumption and setup time. • Insulating shells are supplied with pumps to minimise ENERGY heat loss in heating and cooling systems. • A display shows the actual power consumption in Watt or actual flow rate in m³/h for control purposes. • The best energy efficiency index (EEI) in the market provides the highest energy savings during a year. • Stainless-steel pump housings are available if the application demand corrosion resistance or for drinking water, DHW applications. • Complies with the German regulation for energy saving in buildings and building systems, Energieeinsparverordnung – EnEV §14(3). • Automatic night setback function that further reduces the energy consumption if the boiler provides this feature. • Simple selection among three constant-pressure curves, three proportional-pressure curves or three fixed speeds with only one button . Quick and simple setup. • ALPHA plug. Easy, quick and safe electrical connection. • ALPHA2 is suitable for cold-water systems,drinking water approval. High application flexibility . • Electro-coated pump housing. • No external motor protection is required. Reduced installation time and costs. • New improved start. Secure start under tough conditions. • New advanced. Dry- running protection. Protects the pump at initial start-up and daily operation if there is no water in the pump. • Manual summer mode. Saves energy during the summertime –consumption <0,8W and ensures safe start at the next heating season. <p>Liquid: Lichide pompatate: Ap Gama temperaturii lichidului: 2 .. 110 °C Temp. lichid: 60 °C Densitate: 983.2 kg/m³</p> <p>Technical: Clasa TF: 110 Aprob ri pe etichet : VDE,GS,CE</p> <p>Materials: Corpul pompei (stator): Font EN-GJL-150 ASTM A48-150B Rotor: PES 30%GF</p> <p>Instalatie: Gama temperaturii ambientale: 0 .. 40 °C</p>

Pozitie	Cant.	Descriere
		<p>Presiune de func ionare maxim : 10 bar Racordarea pompei la instala ie: G 1 1/2 Presiune maxim de func ionare: PN 10 Distan a dintre porturi: 180 mm</p> <p>Electrical data: Power input - P1: 3 .. 50 W Frecven a re elei electrice: 50 Hz Tensiune nominal : 1 x 230 V Curent consumat maxim: 0.04 .. 0.44 A Grad de protec ie (IEC 34-5): X4D Clas de izolare (IEC 85): F</p> <p>Others: Energy (EEI): 0.18 Greutate net : 2.01 kg Greutate brut : 2.13 kg</p>

98649757 ALPHA2 25-80 180 50 Hz



Descriere	Valori i tipuri
-----------	-----------------

Informa ii generale:

Nume produs::	ALPHA2 25-80 180
Nr. produs::	98649757
Numărul EAN::	5711498903739
Pre :	La cerere

Technical:

În l ime de pompare max.:	80 dm
Clasa TF:	110
Aprob ri pe etichet :	VDE,GS,CE
Model:	D

Materials:

Corpul pompei (stator):	Font
	EN-GJL-150
	ASTM A48-150B
Rotor:	PES 30%GF

Instala ie:

Gama temperaturii ambientale:	0 .. 40 °C
Presiune de func ionare maxim :	10 bar
Racordarea pompei la instala ie:	G 1 1/2
Presiune maxim de func ionare:	PN 10
Distan a dintre porturi:	180 mm

Liquid:

Lichide pompate:	Ap
Gama temperaturii lichidului:	2 .. 110 °C
Temp. lichid:	60 °C
Densitate:	983.2 kg/m ³

Electrical data:

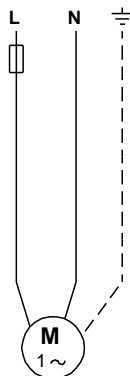
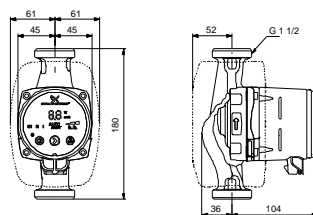
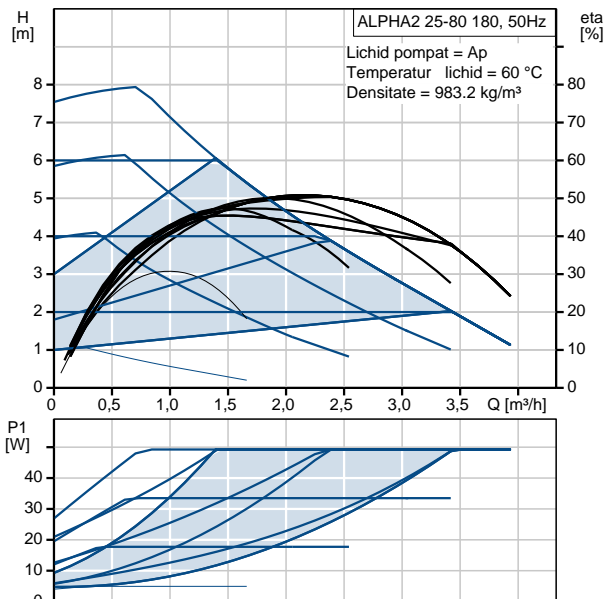
Power input - P1:	3 .. 50 W
Frecven a re elei electrice:	50 Hz
Tensiune nominal :	1 x 230 V
Curent consumat maxim:	0.04 .. 0.44 A
Grad de protec ie (IEC 34-5):	X4D
Clas de izolare (IEC 85):	F
Tip protec ie motor încorporat :	F R
Protec ie termic :	ELEC

Controls:

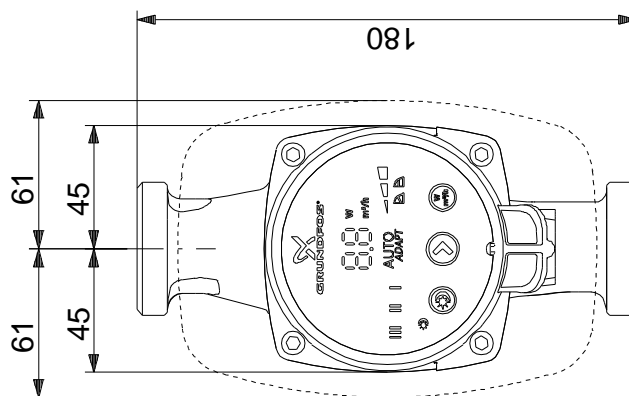
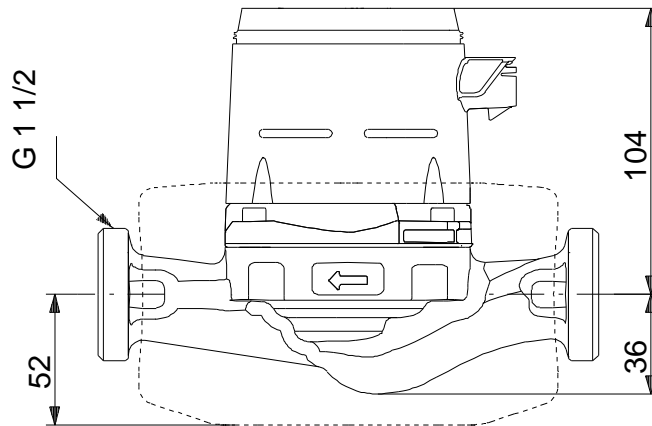
Automat noaptea:	func ionare redus automat pe timp te noapte inclus
Pozi ia cutiei de conexiuni:	6H

Others:

Energy (EEI):	0.18
Greutate net :	2.01 kg
Greutate brut :	2.13 kg

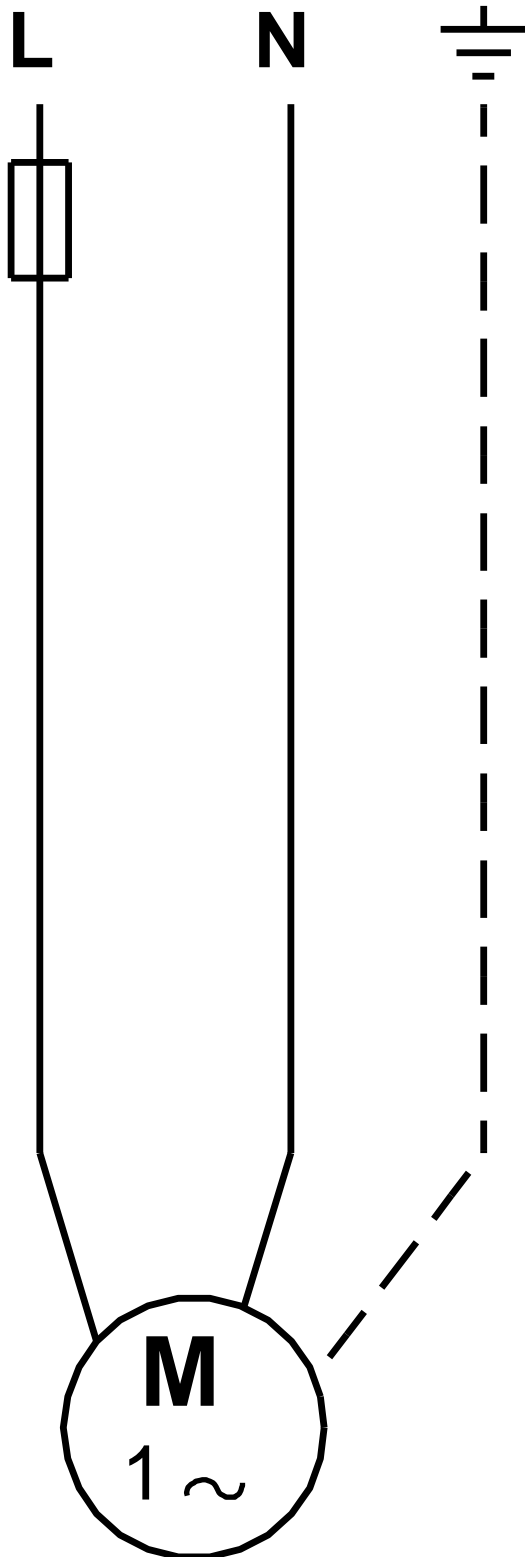


98649757 ALPHA2 25-80 180 50 Hz



Note! All units are in [mm] unless others are stated.
Disclaimer: This simplified dimensional drawing does not show all details.

98649757 ALPHA2 25-80 180 50 Hz



Not ! Toate unit ile sunt în [mm] dac nu altele sunt condi iile.