
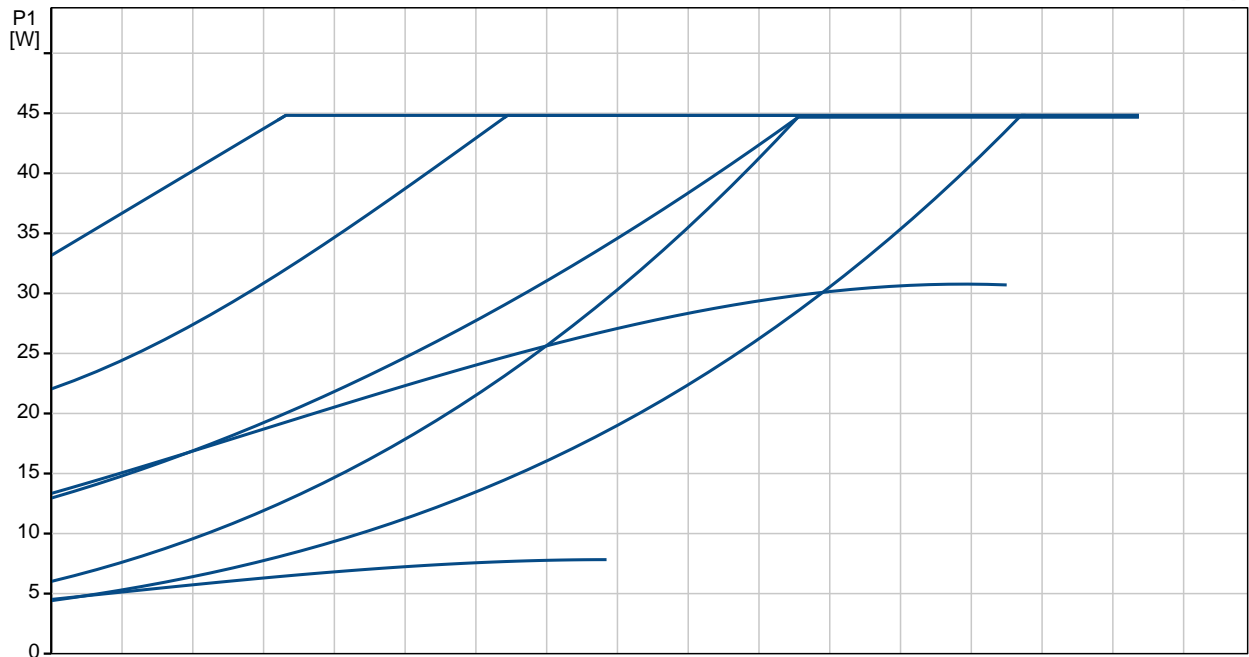
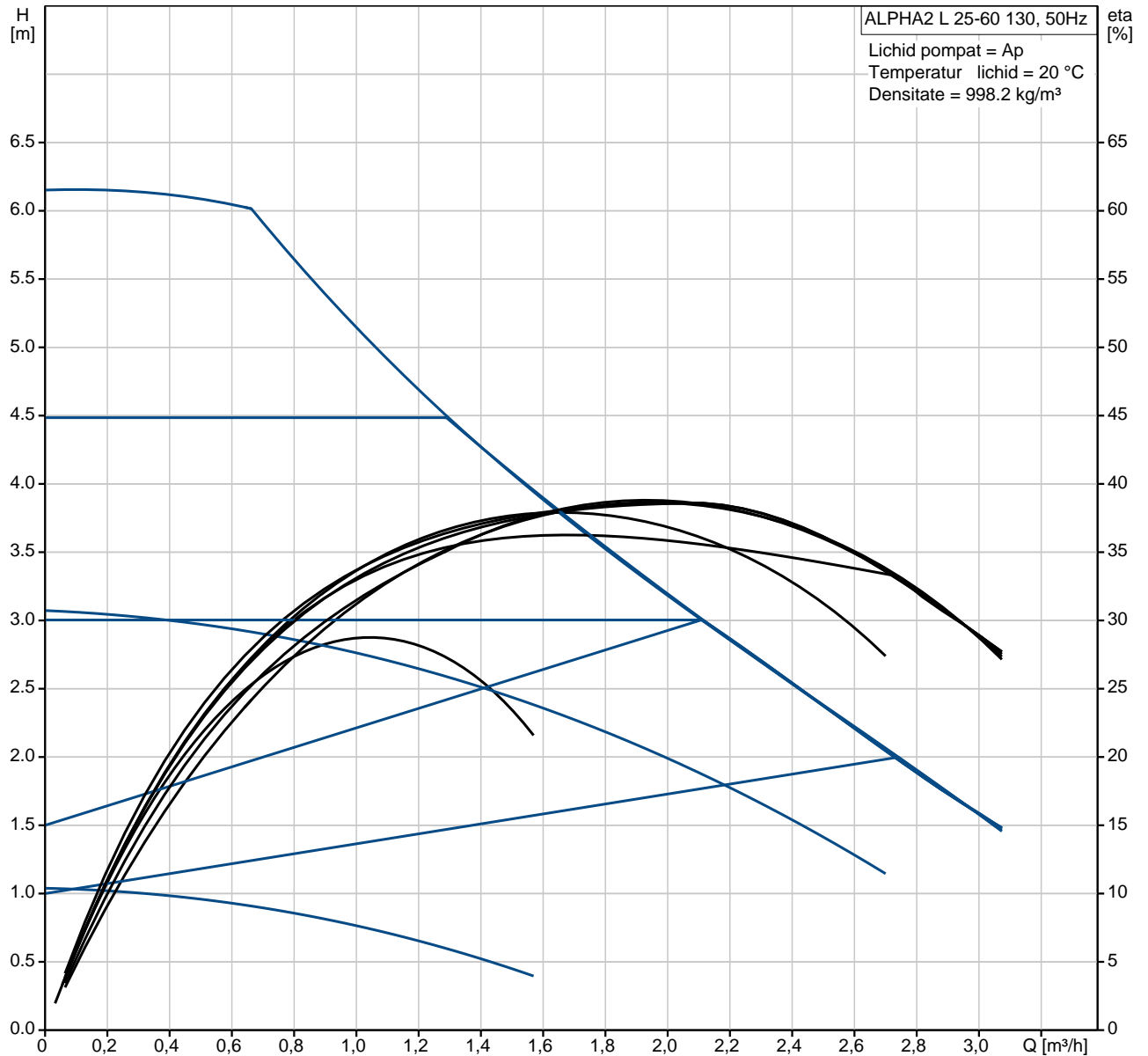


Pozi ie	Cant.	Descriere
	1	<p><b>ALPHA2 L 25-60 130</b></p>  <p style="text-align: center;"><b>Not ! Poza de produs poate diferi de produsul actual</b></p> <p>Nr. Produs: <a href="#">95047563</a></p> <p><b>GRUNDFOS ALPHA2 L</b> The next generation of A-labelled small circulators</p> <p>ALPHA2 L is the latest member of the Grundfos family of high-quality circulators.</p> <p>With ALPHA2 L, you can stop worrying about complicated pump settings.</p> <p>ALPHA2 L is flexible, reliable, and more compact than any other A-labelled circulator pump on the market.</p> <p><b>Compact design</b> The innovative design makes ALPHA2 L the most compact Grundfos circulator available. With the electronics integrated in the pump housing, installation in very confined spaces is now possible.</p> <p><b>A-label</b> The frequency converter, permanent-magnet technology, and compact stator place ALPHA2 L highest on the energy label scheme. ALPHA2 L will use up to 80 % less electrical energy than D-labelled circulators.</p> <p><b>ALPHA plug</b> The much appreciated and very popular ALPHA plug is the only plug in the market that offers extremely simple cable connection.</p> <p><b>One-touch operation</b> Intuitive one-touch operation enables simple setting.</p> <p><b>Liquid:</b> Lichide pompate: Ap Gama temperaturii lichidului: 2 .. 110 °C Temp. lichid: 20 °C Densitate: 998.2 kg/m<sup>3</sup></p> <p><b>Technical:</b> Clasa TF: 110 Aprob ri pe etichet : VDE,GS,CE</p> <p><b>Materials:</b> Corpul pompei (stator): Font EN-JL 1020 ASTM A48-25 B Rotor: Compozit, PP</p> <p><b>Instala ie:</b> Gama temperaturii ambientale: 0 .. 40 °C</p>

Pozi ie	Cant.	Descriere
		Presiune de func ionare maxim : 10 bar Racordarea pompei la instala ie: G 1 1/2 Presiune maxim de func ionare: PN 10 Distan a dintre porturi: 130 mm  <b>Electrical data:</b> Power input - P1: 5 .. 45 W Curent consumat maxim: 0.05 .. 0.38 A Frecven a re elei electrice: 50 Hz Tensiune nominal : 1 x 230 V Grad de protec ie (IEC 34-5): IP42 Clas de izolare (IEC 85): F

# 95047563 ALPHA2 L 25-60 130 50 Hz



**Descriere****Valori i tipuri**

Nume produs: ALPHA2 L 25-60 130  
 Nr. produs: 95047563  
 Num rul EAN: 5700311668580

**Technical:**

În l ime de pompare max.: 60 dm  
 Clasa TF: 110  
 Aprob ri pe etichet : VDE,GS,CE

**Materials:**

Corpul pompei (stator): Font  
 EN-JL 1020  
 ASTM A48-25 B  
 Rotor: Compozit, PP

**Instala ie:**

Gama temperaturii ambientale: 0 .. 40 °C  
 Presiune de func ionare maxim : 10 bar  
 Racordarea pompei la instala ie: G 1 1/2  
 Presiune maxim de func ionare: PN 10  
 Distan a dintre porturi: 130 mm

**Liquid:**

Lichide pompate: Ap  
 Gama temperaturii lichidului: 2 .. 110 °C  
 Temp. lichid: 20 °C  
 Densitate: 998.2 kg/m<sup>3</sup>

**Electrical data:**

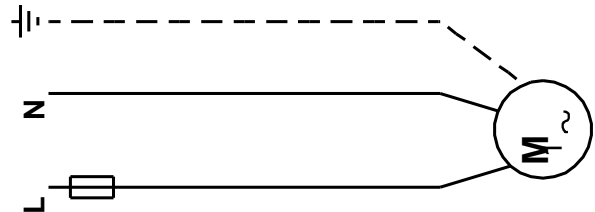
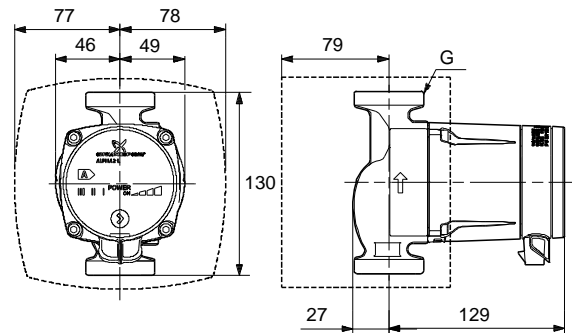
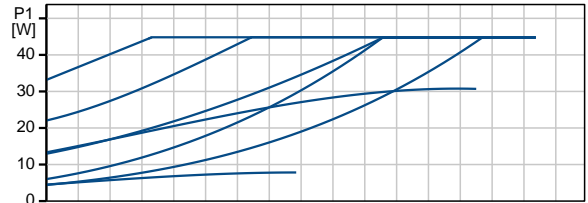
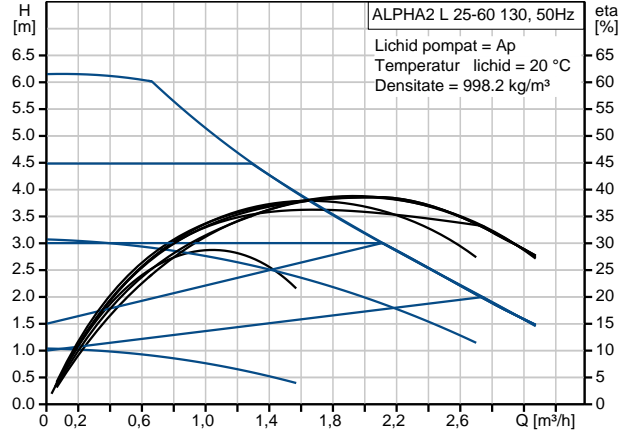
Power input - P1: 5 .. 45 W  
 Curent consumat maxim: 0.05 .. 0.38 A  
 Frecven a re elei electrice: 50 Hz  
 Tensiune nominal : 1 x 230 V  
 Grad de protec ie (IEC 34-5): IP42  
 Clas de izolare (IEC 85): F  
 Tip protec ie motor încorporat : F r  
 Protec ie termic : ELEC

**Controls:**

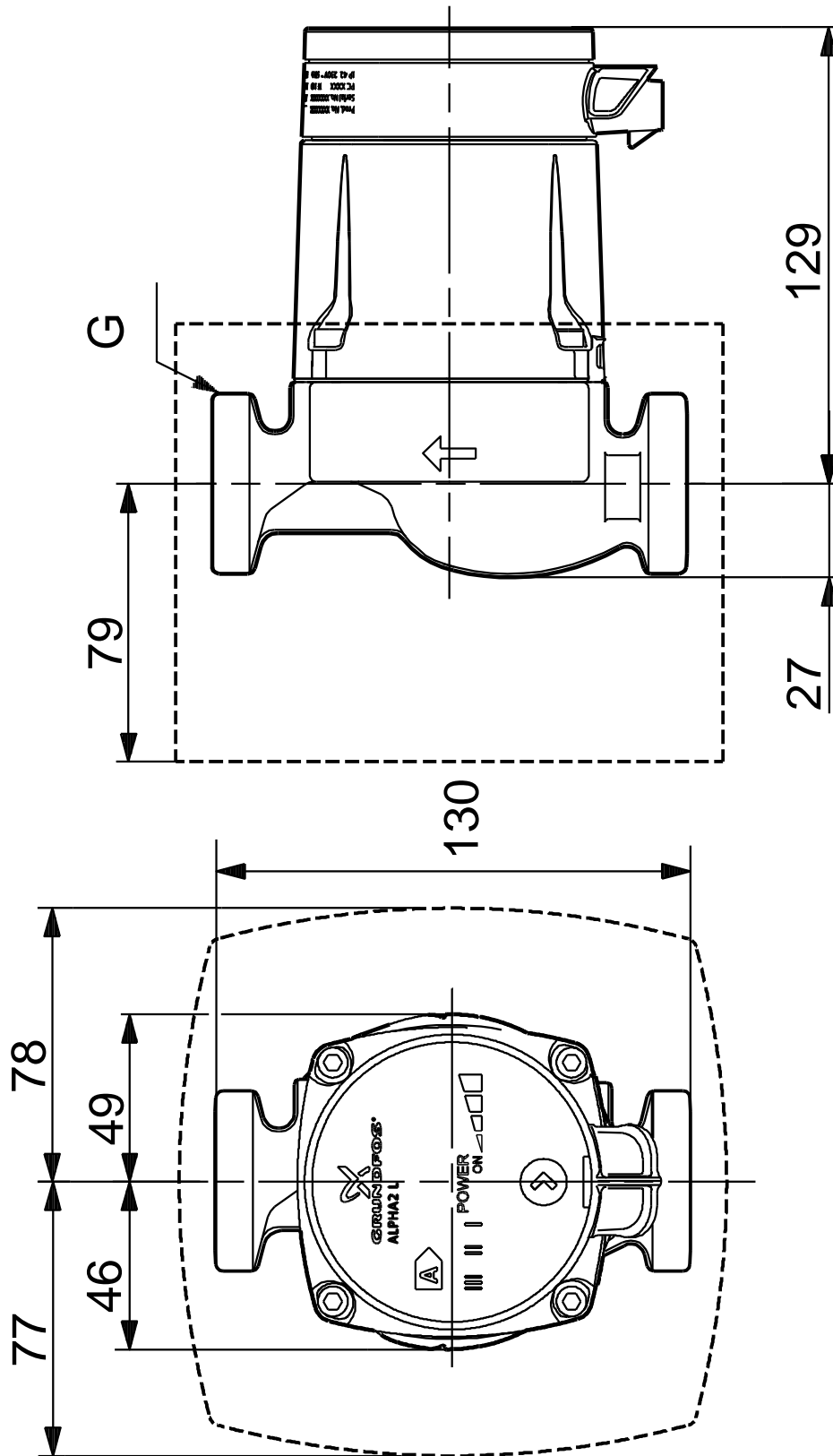
Pozi ia cutiei de conexiuni: 6H

**Others:**

Energy (EEL): 0.23  
 Greutate net : 1.9 kg  
 Greutate brut : 2.1 kg

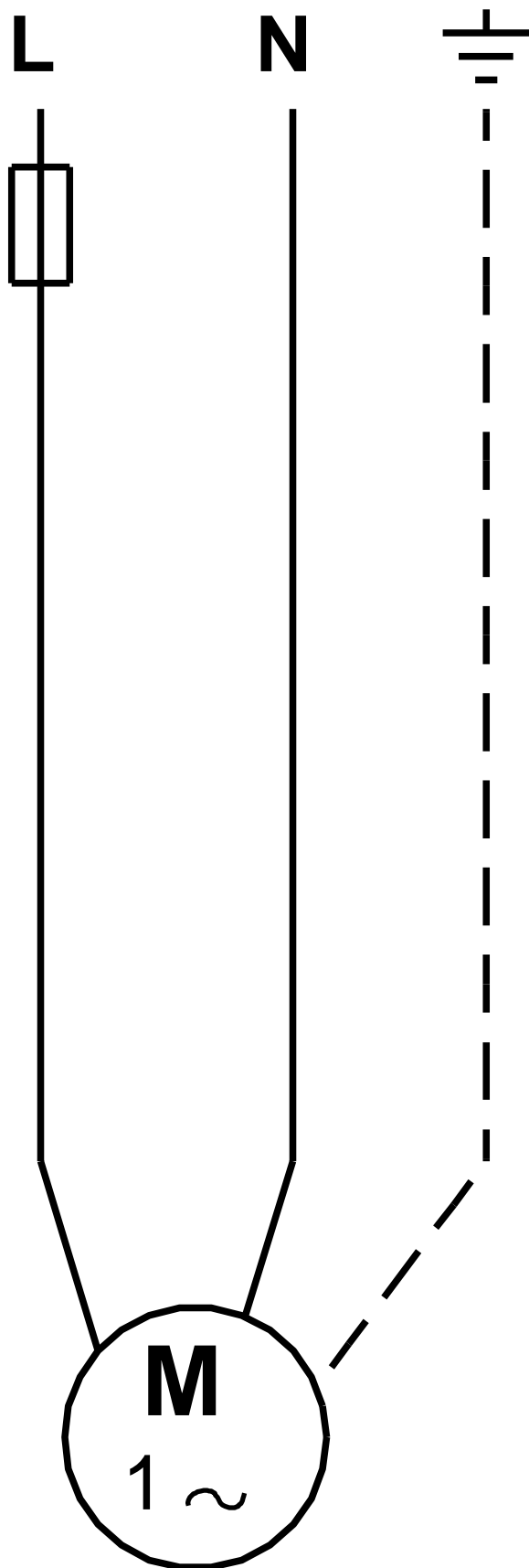


95047563 ALPHA2 L 25-60 130 50 Hz



Note! All units are in [mm] unless others are stated.  
Disclaimer: This simplified dimensional drawing does not show all details.

95047563 ALPHA2 L 25-60 130 50 Hz



Not ! Toate unit ile sunt în [mm] dac nu altele sunt condi iile.