

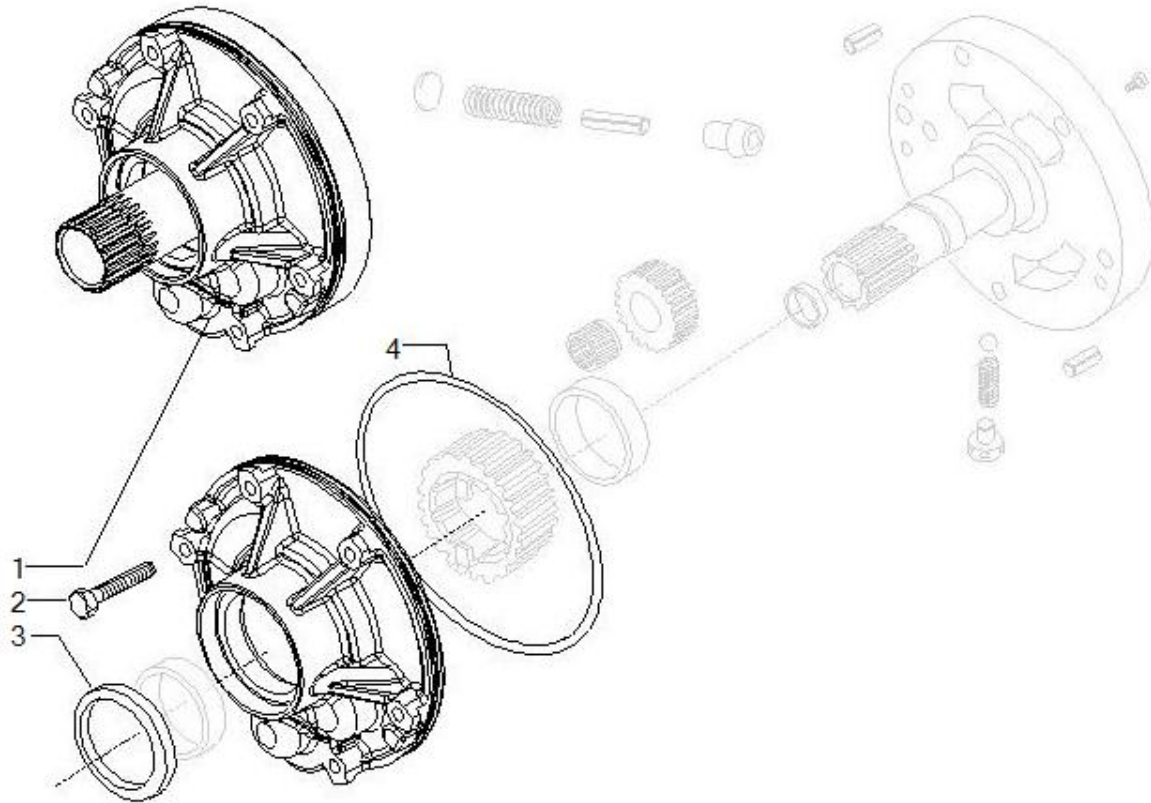


## **Spare parts catalogue**

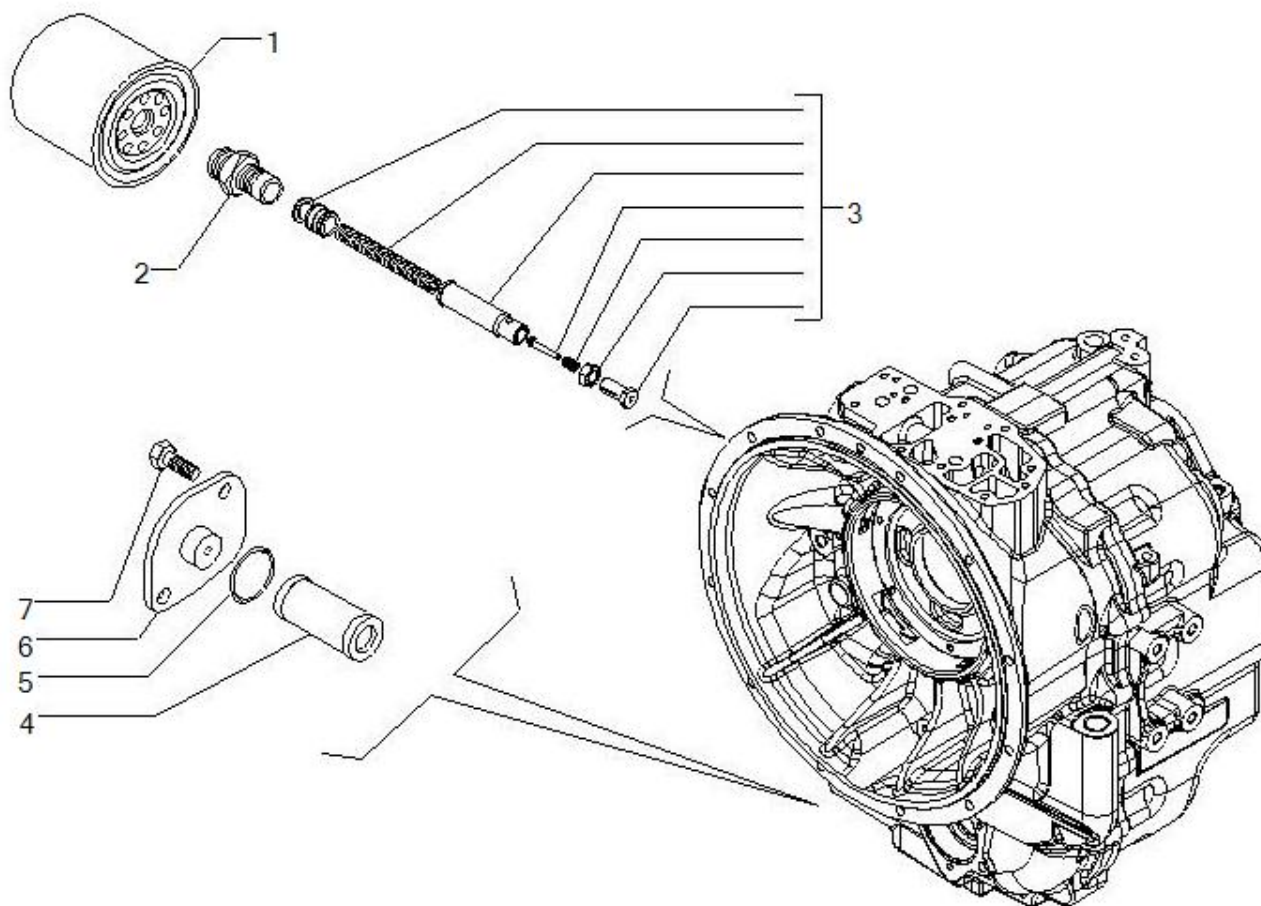
**TRANSMISSION TLB1 SPB 4WD\_(ECO 17138)**

**REF: 393434**

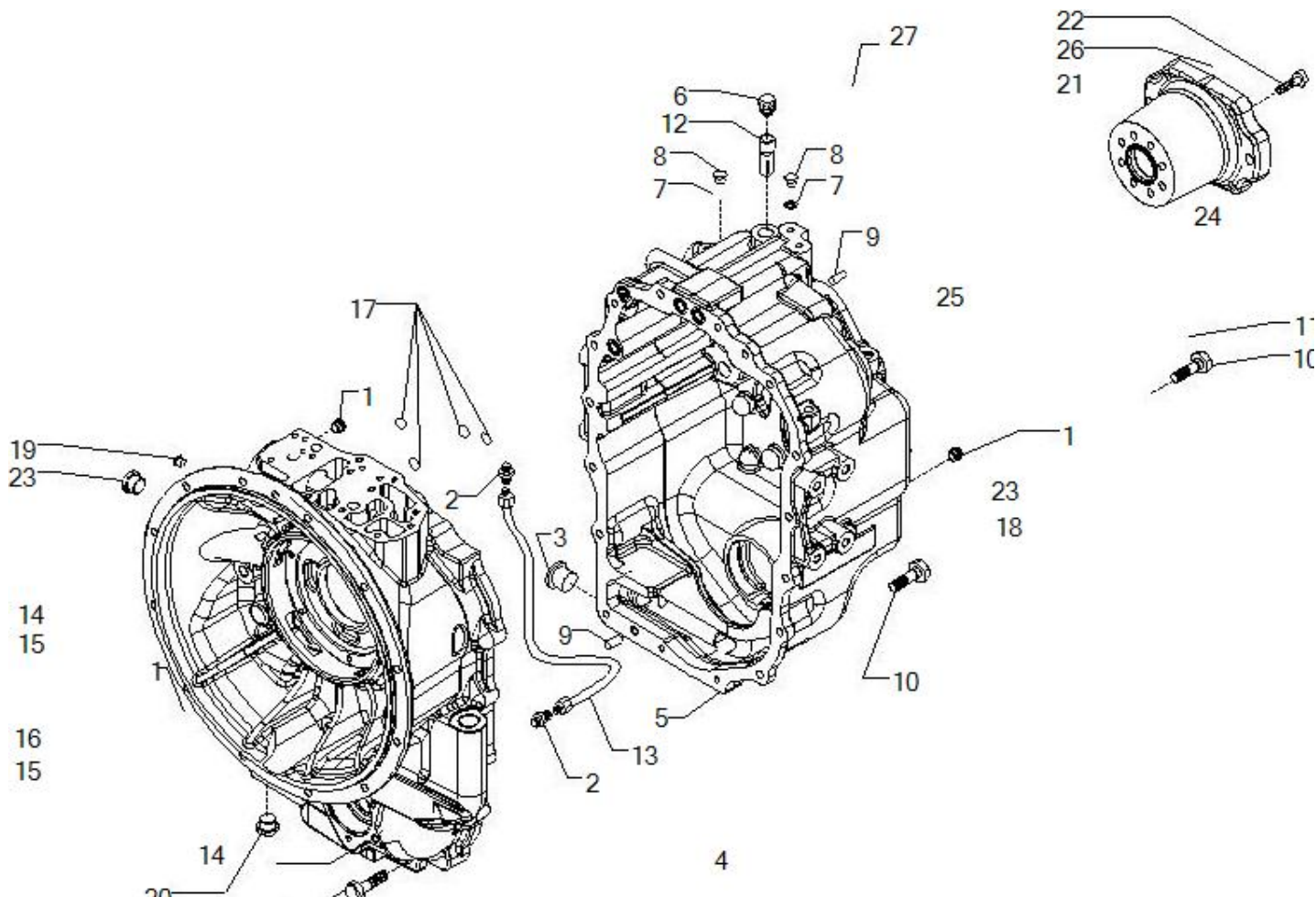
- 1.1 Oil pump**
- 2.1 Oil filters**
- 3.1 Transmission housing**
- 4.1 Input and PTO shafts (axe A)**
- 5.1 Reverse and primary shafts (axe D-B)**
- 6.1 Secondary shaft (axe C)**
- 7.1 Secondary shaft (axe C)**
- 8.1 4WD shaft (axe E)**
- 9.1 Brake**
- 10.1 Speed control**
- 11.1 Control valve**
- 12.1 Solenoid valve**



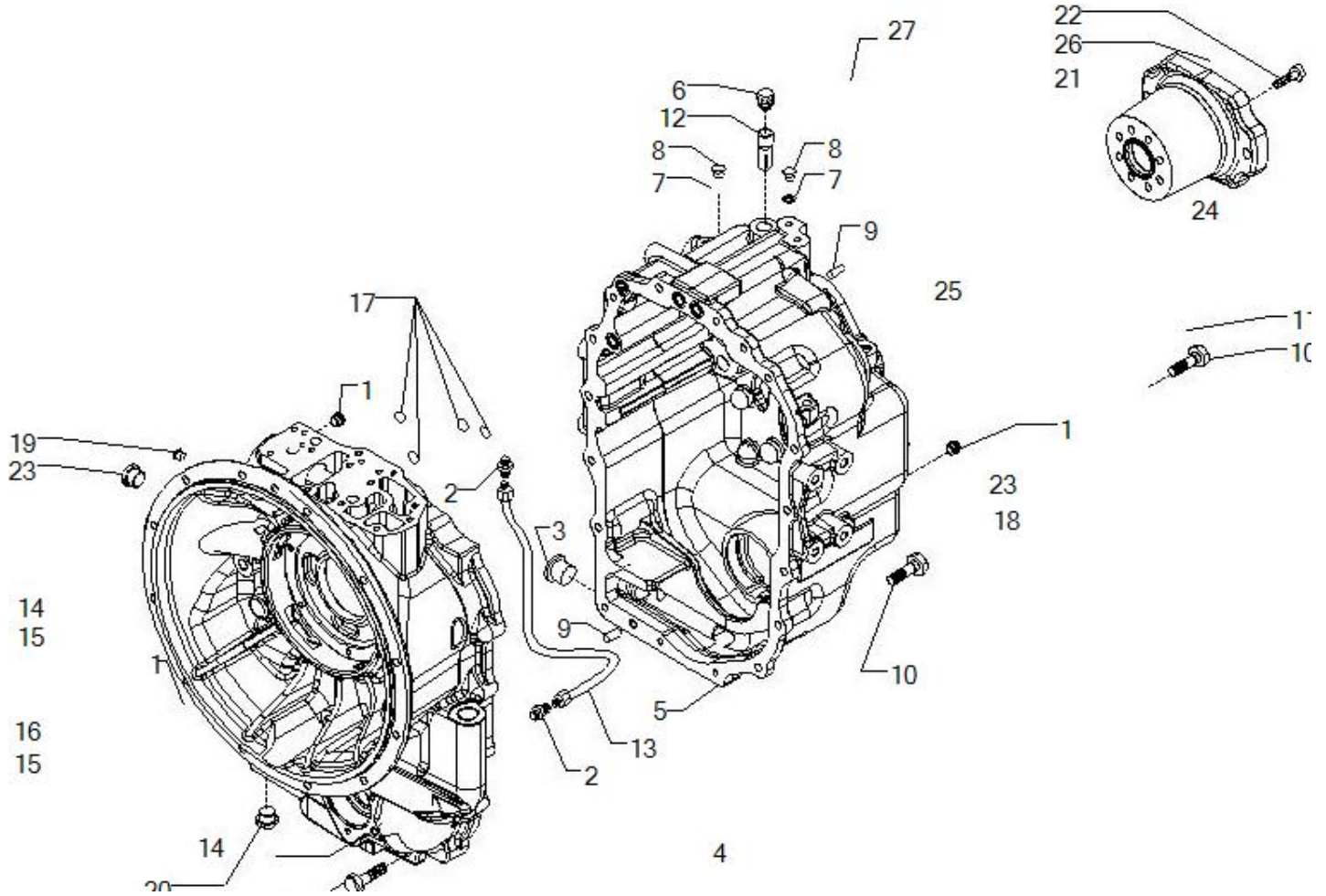
<b>Pos</b>	<b>Ref</b>	<b>Qty</b>	<b>Description</b>	<b>Kit</b>	<b>Note</b>
	133566	1	SEAL RING BAVISLSFRDX7 57.15X76.2X9.5/11		
	28561	1	O.ring		
1	135190	1	PUMP ASSEMBLY TRASMISSIONE PTO		
2	20803	6	Screw M8x60		
3	133566	1	SEAL RING BAVISLSFRDX7 57.15X76.2X9.5/11		
4	28561	1	O.ring		



<b>Pos</b>	<b>Ref</b>	<b>Qty</b>	<b>Description</b>	<b>Kit</b>	<b>Note</b>
1	146569	1	FILTER Oil A CARTUCCIA		
2	131217	1	OIL FILTER CONNECTOR		
3	370555	1	VALVE ASSEMBLY TLB1		
4	135859	1	FILTER Oil		
5	28131	1	O.ring		
6	381413	1	FILTER COVER Compl.		
7	20777	2	Screw M8X18		

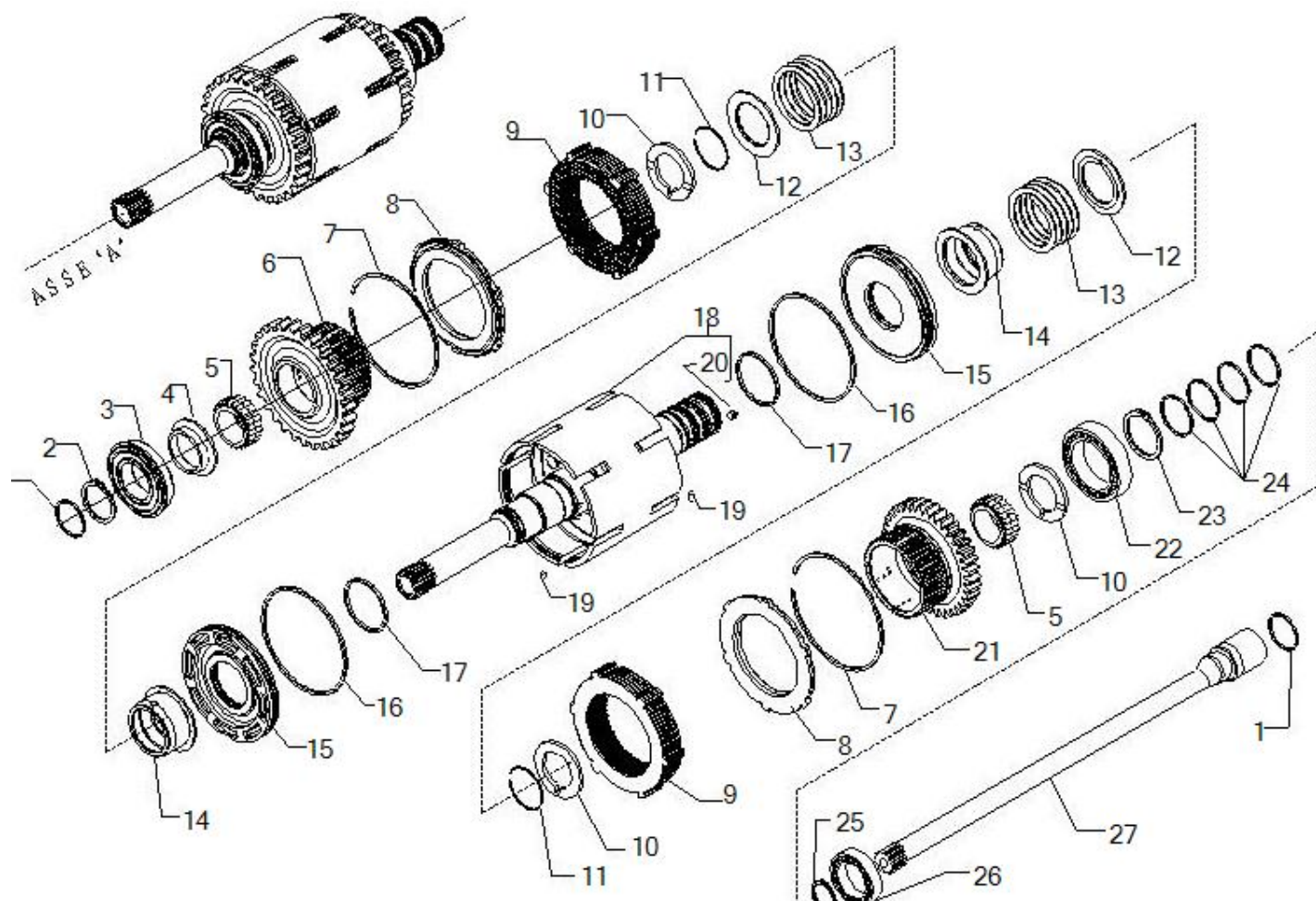


Pos	Ref	Qty	Description	Kit	Note
1	21570	3	Plug		
2	131364	2	CONNECTOR STRAIGHT 1/4 GAS CON.		
3	125280	1	MAGNETIC PLUG M30X2		
4	381707	1	TRANSMISSION HALF-HOUSING Front (381769)		
5	644006	1	TRANSMISSION HALF-HOUSING Rear (463013)		
6	30368	1	BREATHER 54101 SFP.30		
7	23260	3	Copper washer 10x14x1.5		
8	21322	3	PLUG 1/8 GAS A-301010		
9	72259	3	PARALLEL PIN 10X25		
10	20852	23	Bolt M10x30		
11	370584	1	GEARBOX REAR COVER (10980		
12	139278	1	TUBE SFIATO OLIO		
13	130393	1	OIL PIPE		
14	23272	4	SEAL WASHER DIN 7603-A 14X20X1.5 -		
15	130663	2	DRILLED SCREW M14X1.5		
16	132634	1	OIL LUB PIPE D		
17	28560	4	O.ring		
18	394427	1	PLUG M20X1.5 MAT110 STD CARRARO 1-00004		
19	21557	1	Plug M14x1.5		
20	21582	1	Plug		
21	644203	1	FLANGE PTO SAE B-B 2 e 4 HOLES		
22	21431	7	Bolt M10x45		
23	23270	1	Washer		
24	23834	1	Rivet		
25	28140	1	O.ring		

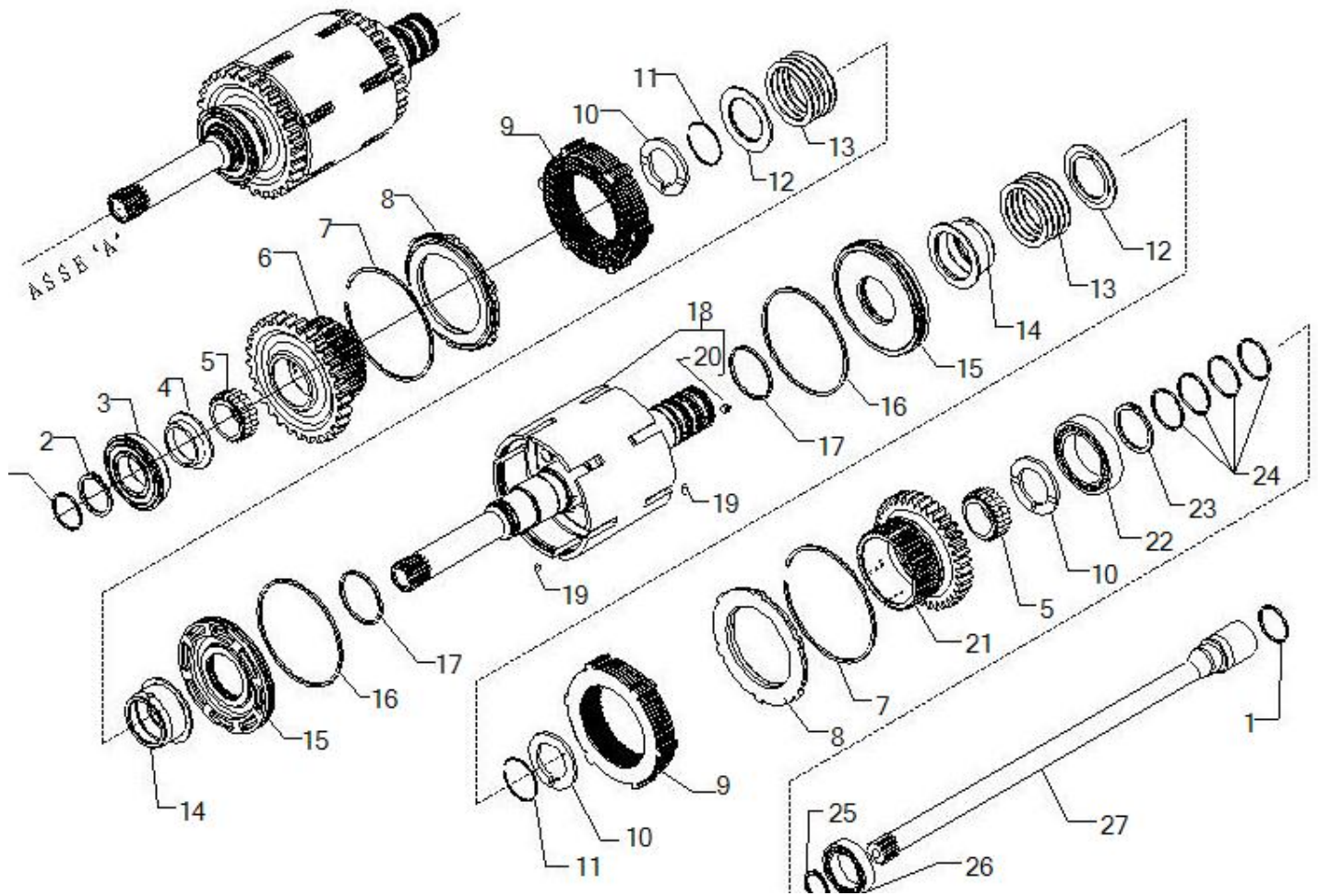


Pos	Ref	Qty	Description	Kit	Note
26	28571	1	O-RING 3500 2-159 126.67x2.62		
27	644202	1	OIL PIPE		



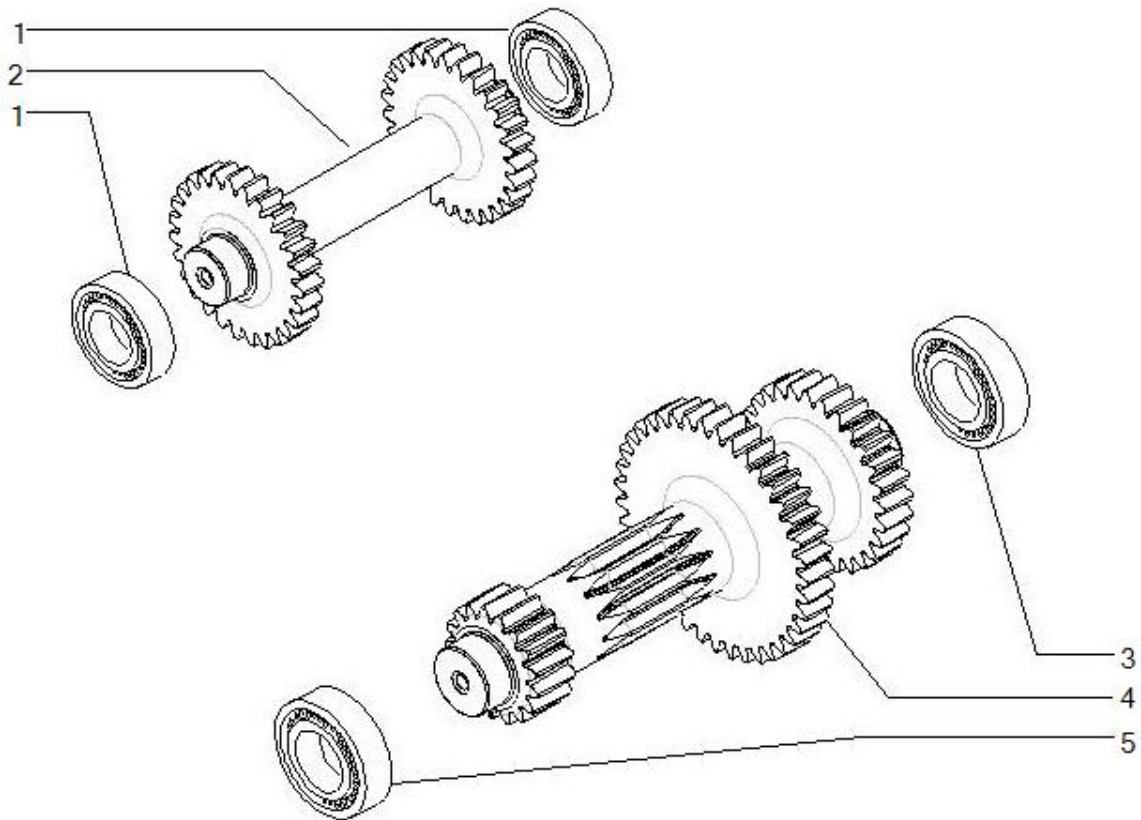


Pos	Ref	Qty	Description	Kit	Note
1	139197	2	ROTARY SEAL RING D45.13		
2	24800	1	Snap ring		
3	26160	1	Bearing		
4	139011	1	WASHER 45X68X10.5		
5	27956	2	Needle bearing bush		
6	138973	1	GEAR Z35 M3.5		
7	25067	2	Lockring		
8	135020	2	BACKING PLATE		
9	149306	2	CLUTCH PACK FWD/RVS		
10	138986	3	WASHER 50.1X68X4		
11	25031	2	Lockring		
12	133912	2	SPRING LOCK		
13	139351	2	COMPRESSION SPRING 7-78-85.5		
14	138984	2	CLUTCH SLEEVE		
15	138983	2	CLUTCH PISTON		
16	139199	2	AXIAL SEAL RING D138+OR		
17	139198	2	AXIAL SEAL RING D55+OR		
18	68354	1	SHAFT KIT 147454 + RIVETT		
19	24321	2	Split pin D3x8		
20	23835	4	Rivet		
21	138974	1	GEAR Z29 M3.5		
22	25811	1	Bearing		
23	24805	1	Snap ring		
24	142858	4	ROTARY SEAL RING D50		
25	24785	1	CIRCLIP DIN 471 30		

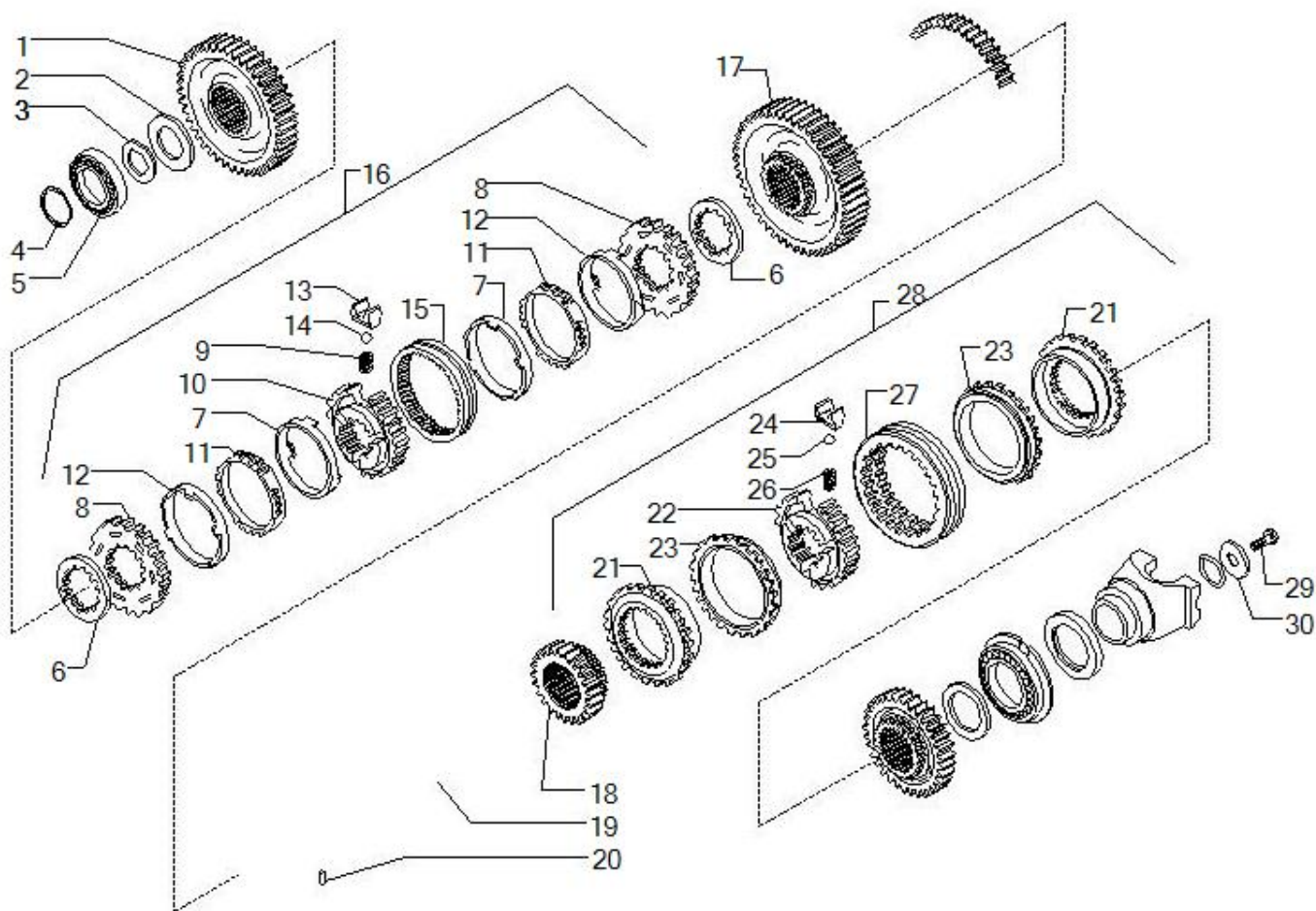


Pos	Ref	Qty	Description	Kit	Note
26	25735	1	Bearing		
27	644199	1	PTO SHAFT L639		

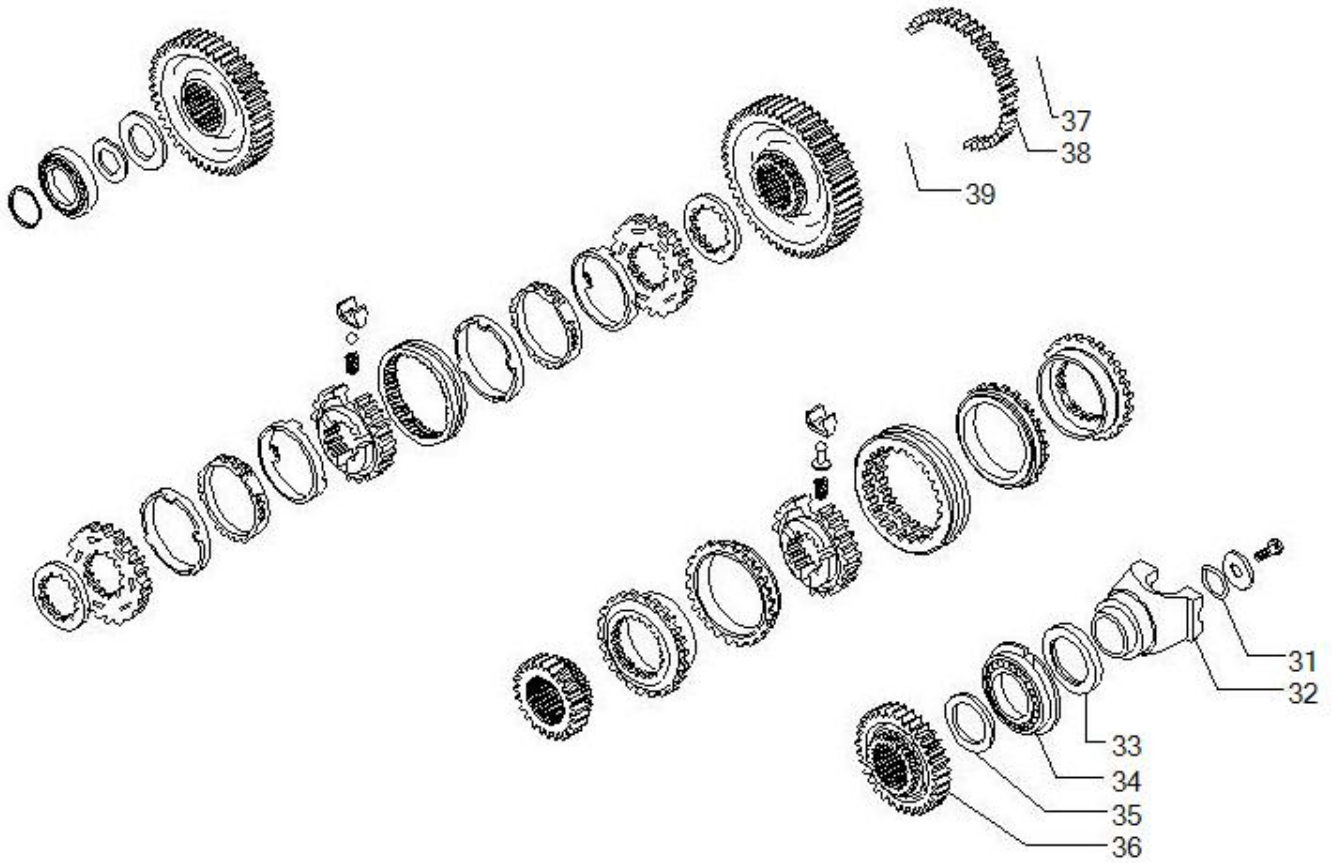




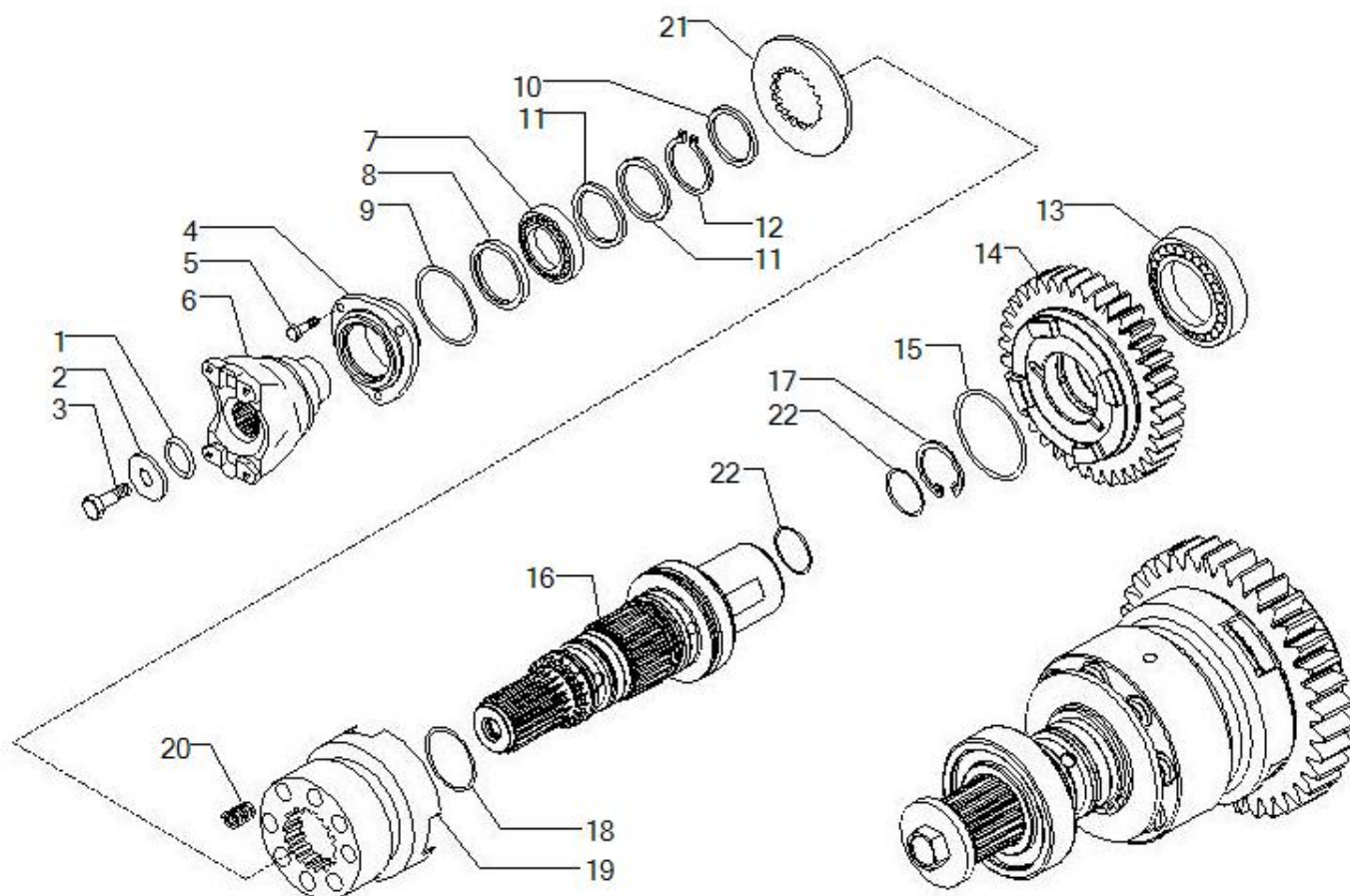
<i>Pos</i>	<i>Ref</i>	<i>Qty</i>	<i>Description</i>	<i>Kit</i>	<i>Note</i>
1	25808	2	Bearing		
2	137646	1	COUNTERSHAFT Z27/27 M3.5		
3	25859	1	Bearing		
4	145132	1	PRIMARY SHAFT Z12/17/39/28		
5	27554	1	Bearing		



Pos	Ref	Qty	Description	Kit	Note
1	145134	1	GEAR Z44 M3.5 2^ V.		
2	139010	1	WASHER 40.1X60X4		
4	25053	1	Lockring		
5	27554	1	Bearing		
6	132867	2	SPACER 83X66X3.15		
7	46308	2	Tapered friction ring		
8	46305	2	Synchronizing ring		
9	46303	3	Spring		
10	46304	1	Hub		
11	46306	2	Sintered ring		
12	46307	2	Steel ring		
13	46302	3	Spring plate		
14	46301	3	Ball		
15	46300	1	Sleeve		
16	132637	1	SYNCHRONIZER ASSEMBLY D90 BICONO		
17	145133	1	GEAR Z50 M3.5 1^ V.		
18	138970	1	GEAR Z23 M3.5 4^ V.		
19	644200	1	SECONDARY SHAFT		
20	24321	1	Split pin D3x8		
28	138548	1	SYNCHRONIZER ASSEMBLY D90 TLB1 01.090.0		
29	123918	1	SELF-LOCKING SCREW M12X1.25X25 10.9		
30	129924	1	WASHER 12.5X52X5		

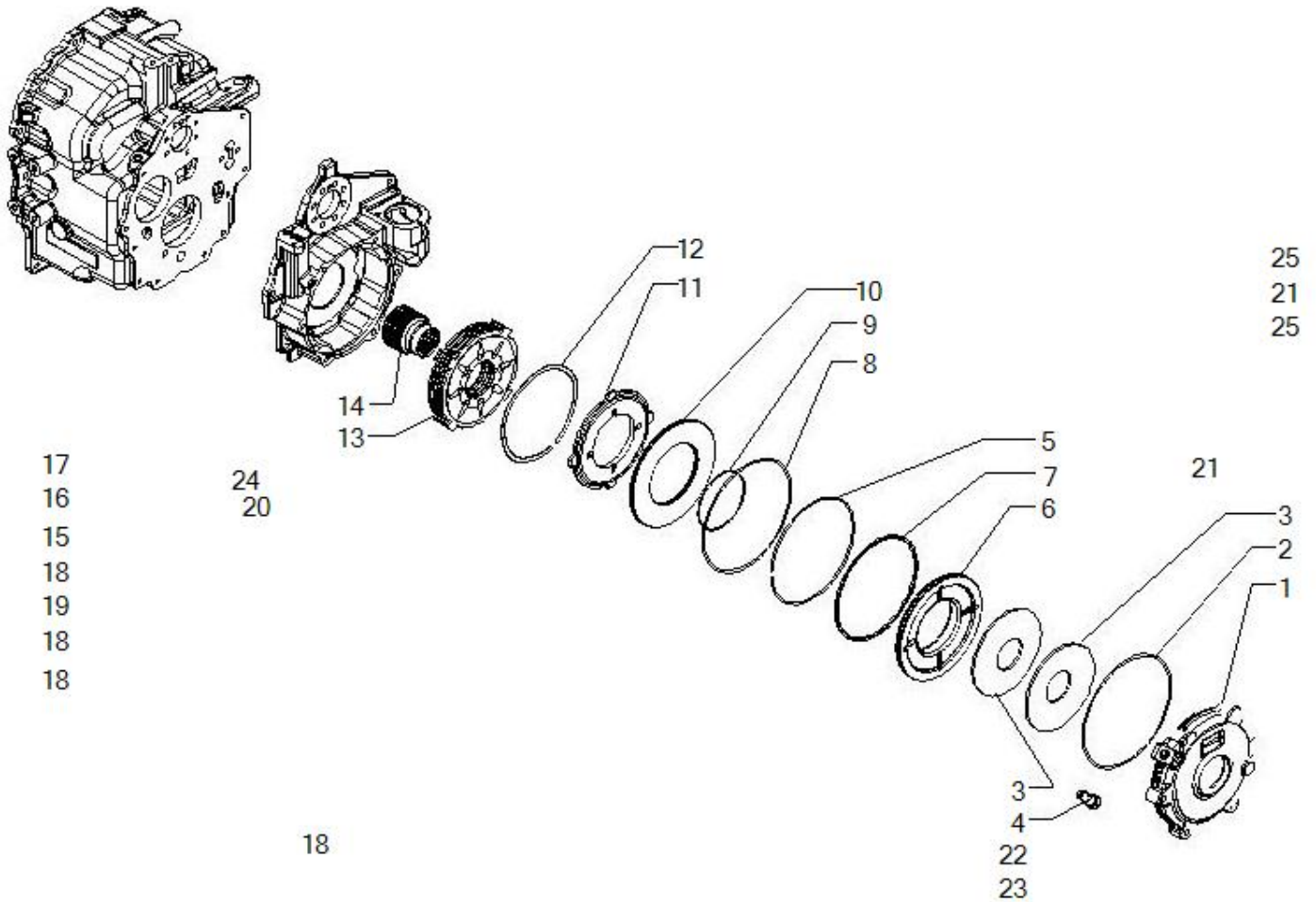


<b>Pos</b>	<b>Ref</b>	<b>Qty</b>	<b>Description</b>	<b>Kit</b>	<b>Note</b>
31	28623	1	O.ring		
32	137303	1	PM FLANGE END YOKE 1410		
33	25485	1	Oil seal ring		
34	26190	1	Bearing		
35	138985	1	WASHER 45.1X68X4		
36	138969	1	GEAR Z33 M3.5 3^ VEL.		
37	24817	1	RING		
38	138980	1	GEAR Z44 M3.5		
39	25061	1	Lock ring D70		



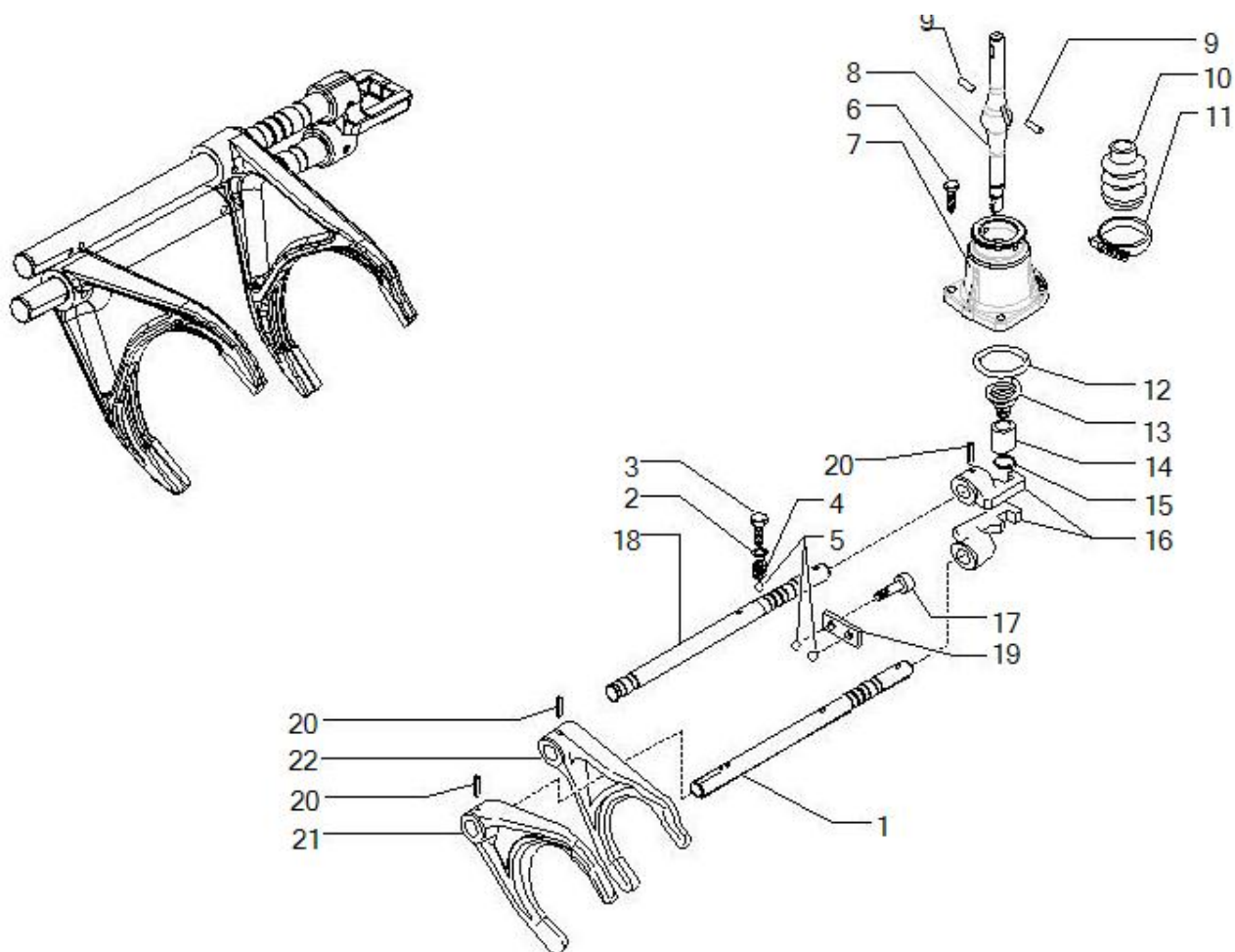
<b>Pos</b>	<b>Ref</b>	<b>Qty</b>	<b>Description</b>	<b>Kit</b>	<b>Note</b>
1	28121	1	O.ring		
2	123921	1	WASHER 12.5X44X5		
3	123918	1	SELF-LOCKING SCREW M12X1.25X25 10.9		
4	131159	1	COVER ANT. 4WD (11112)		
5	20780	3	Bolt M8x22		
6	644592	1	PM FLANGE END YOKE 1410		
7	25808	1	Bearing		
8	25484	1	Seal ring 50x65x8		
9	28613	1	O.ring		
10	125831	1	SHIM 55X45.5X2		
11	139197	2	ROTARY SEAL RING D45.13		
12	24799	1	Snap ring		
13	25829	1	Bearing		
14	139799	1	GEAR Z36 M3.5 4WD		
15	33027	1	O.ring		
16	138972	1	OUTPUT SHAFT 4WD		
17	24866	1	CIRCLIP DIN 472 25		
18	28141	1	O.ring		
19	138981	1	SLEEVE EASY-SH. (13047)		
20	125209	9	COMPRESSION SPRING 2.5-15-41.2		
21	138982	1	SPACER 86X46X4		
22	28600	2	O.ring		



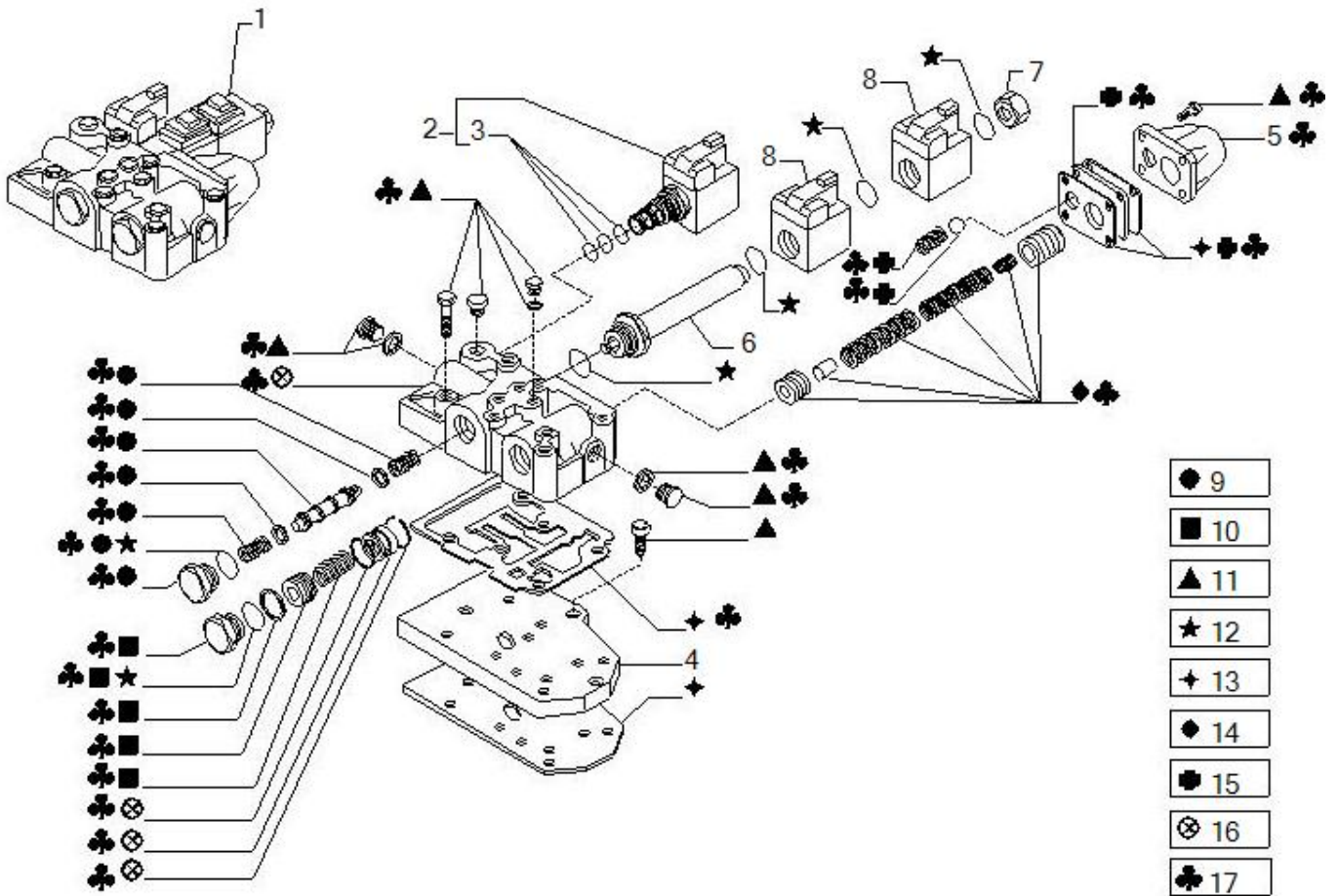


Pos	Ref	Qty	Description	Kit	Note
1	644191	1	BRAKE COVER (463002)		
2	28491	1	O-Ring		
3	140943	2	BELLEVILLE WASHER 170-61-4.6		
4	358971	1	PRESSURE SWITCH 10+-1 Bar		
5	635587	1	CIRCLIP F3.2-208.2-S16		
6	644192	1	BRAKE PISTON (463014)		
7	644195	1	AXIAL SEAL RING D205.35+OR 187.62x2.62 N		
8	28686	1	O-Ring		
9	644196	1	AXIAL SEAL RING D119.8+OR 120.32x2.62 NB		
10	644193	1	RETAINING DISC D.est 208 D.int 120 Sp 8.		
11	644194	1	COUNTERPLATE Brake		
12	635588	5	WAVE SPRINGX190		
13	644197	1	PACK ASSEMBLY Brake		
14	644198	1	LINK BUSH		
15	357632	1	SOLENOID VALVE On/Off SV08-25-O-N-12DR/Z		
16	357633	1	HYDRAULIC CONTROL BLOCK		
17	20802	2	Bolt M8x55		
18	28140	4	O.ring		
19	358613	1	BUSH 11SMnPb37 UNI EN 10087		
20	23834	1	Rivet		
21	20875	4	Bolt M10x120		
22	23272	1	SEAL WASHER DIN 7603-A 14X20X1.5 -		
23	21570	1	Plug		
24	24260	1	LUBRIFICATING NIPPLES M10x1con.x18 CH11		
25	20862	2	Bolt M10x50		

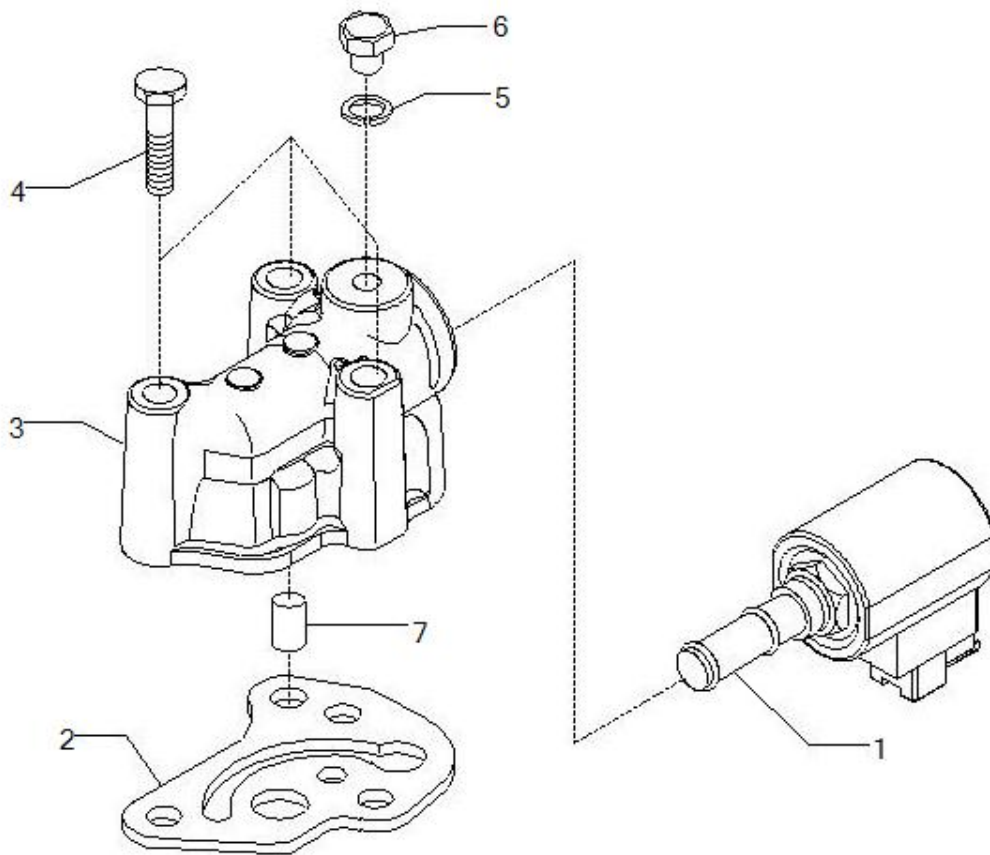




<b>Pos</b>	<b>Ref</b>	<b>Qty</b>	<b>Description</b>	<b>Kit</b>	<b>Note</b>
1	384375	2	CONTROL PIN Gears 1^ / 2^		
2	23288	2	WASHER 12X20X1.5 RAME		
3	138003	2	HEX HEAD SCREW M12X1.75X16 8.8		
4	71352	2	COMPRESSION SPRING 1.75-9.3-24		
5	28270	4	Ball D10		
6	21393	3	Bolt M8x25		
7	130299	1	GEAR COVER (11042)		
8	394437	1	CONTROL LEVER Gears (17740)		
9	117385	2	PARALLEL PIN 6X14		
10	117330	1	BOOT LEVA COMANDI MARCE		
11	130404	1	HOSE CLIP 55-58.5 BLITZ BZ 8550		
12	28205	1	O.ring		
13	138308	1	TAPERED SPRING 3.5-35		
14	138309	1	BUSH 25X17.3X25		
15	24772	1	Snap ring D17		
16	384377	2	CONTROL BLOCK Gears		
17	21407	2	Bolt M10x20		
18	394436	1	CONTROL PIN Gears 3^ / 4^		
19	130306	1	PLAQUE		
20	24444	4	Pin D6x30		
21	130305	1	CONTROL FORK Gears 1^/2^		
22	130304	1	CONTROL FORK Gears 3^/4^		



Pos	Ref	Qty	Description	Kit	Note
1	644561	1	DISTRIBUTOR ASSEMBLY TLB1		
2	146640	1	SOLENOID VALVE BLOCC.DIFF.		
3	49677	1	Seal kit		
4	131328	1	PLATE (11123)		
5	132912	1	VALVE COVER (11385)		
6	134125	1	TUBE SOLENOIDE PUSH-PULL		
7	642100	1	PLUG 11/16 24F UNEF		
8	642096	2	SOLENOID COIL		
9	68421	1	FWD/RVS spool Kit		
10	68422	1	VALVE KIT		
11	68423	1	BOLTS KIT		
12	68424	1	SEAL RINGS KIT		
14	68426	1	MODULATION VALVE KIT		
15	68427	1	PLATE KIT		
16	68428	1	CONTROL VALVE BODY KIT 820000020		
17	68429	1	BODY VALVE ASSY		



<b>Pos</b>	<b>Ref</b>	<b>Qty</b>	<b>Description</b>	<b>Kit</b>	<b>Note</b>
1	146354	1	SOLENOID VALVE 4WD		
2	141002	1	GASKET		
3	139850	1	VALVE BLOCK 4WD		
4	20803	3	Screw M8x60		
5	23260	1	Copper washer 10x14x1.5		
6	21322	1	PLUG 1/8 GAS A-301010		
7	134000	1	VALVE ASSEMBLY TLB1		