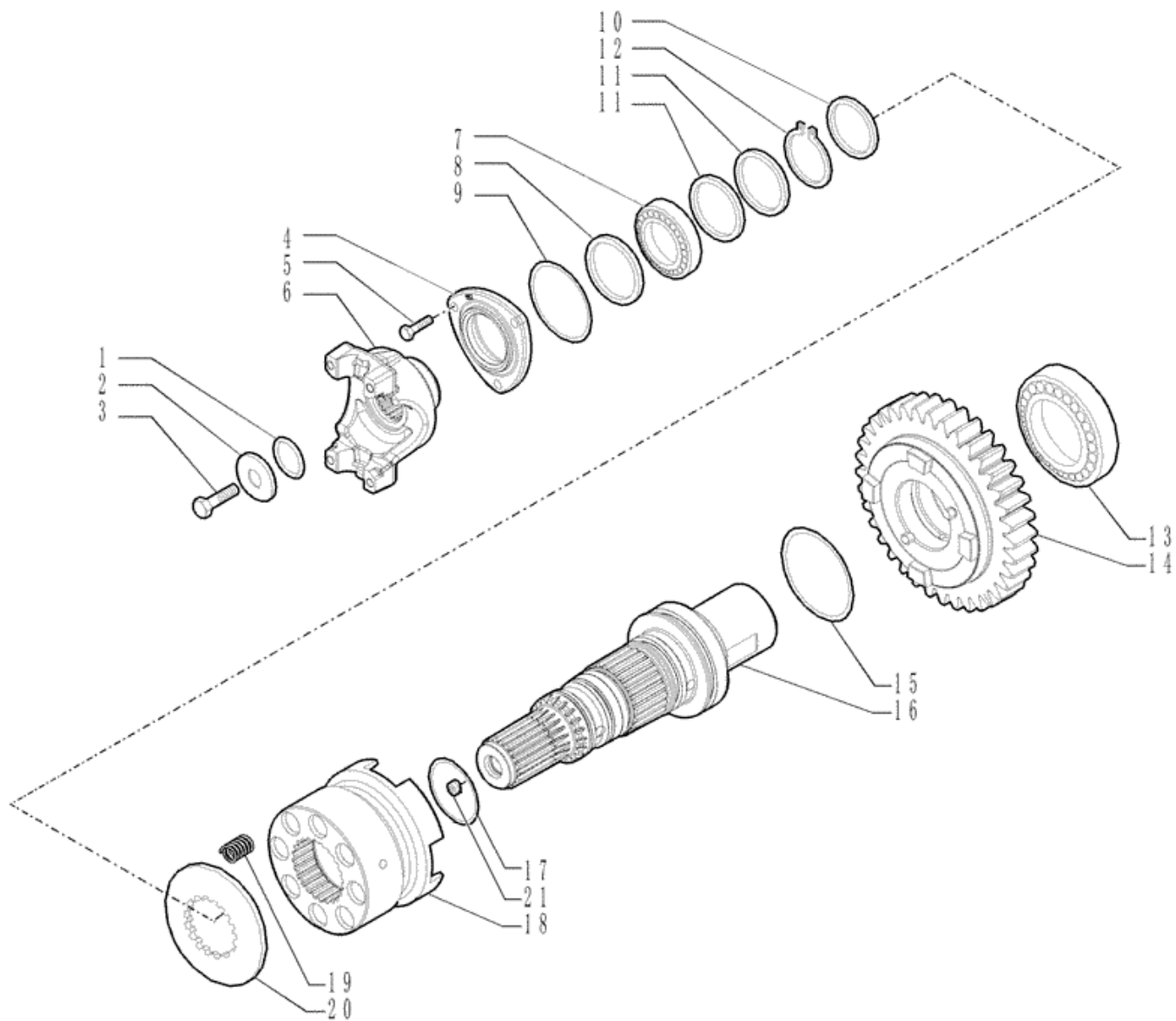
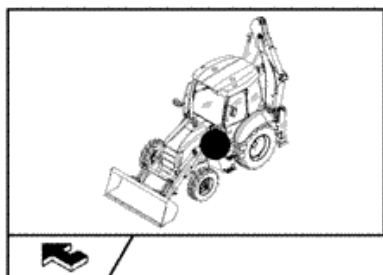


Serial Number :

Navigated Path : New Holland CE EUR > LIGHT EQUIPMENT > LOADER BACKHOES > B B > B110B - BACKHOE LOADER - TIER 3 (11/10-12/12) > 21 - TRANSMISSION > 21.154.0101[03] - TRANSMISSION GEARS, DRIVEN SHAFT AND BEARINGS - 4WD POWERSHUTTLE >



Serial Number :

Navigated Path : New Holland CE EUR > LIGHT EQUIPMENT > LOADER BACKHOES > B B > B110B - BACKHOE LOADER - TIER 3 (11/10-12/12) > 21 - TRANSMISSION > 21.154.0101[03] - TRANSMISSION GEARS, DRIVEN SHAFT AND BEARINGS - 4WD POWERSHUTTLE >

Ref	Qty	Part #	Part Description	Usage
1	1	238-8217	O-RING	
2	1	P2745466	WASHER	
3	1	P3533055	SCREW	
4	1	181198A1	COVER	
5	3	614-8022	BOLT	
6	1	87704971	YOKE	
7	1	ST205A	BEARING, BALL	
8	1	181122A1	OIL SEAL	
9	1	112517A1	O-RING	
10	1	P2745478Q	WASHER	
11	2	358645A1	SEALING RING	
12	1	800-5145	SNAP RING	
13	1	181126A1	BEARING, BALL	
14	1	366234A1	PINION	
15	1	366235A1	O-RING	
16	1	366230A1	SHAFT	
17	1	366236A1	O-RING	
18	1	366232A1	TRANSMISSION SLEEVE	
19	8	100753A1	SPRING	
20	1	366231A1	WASHER	
21	1	D142898	PLUG	