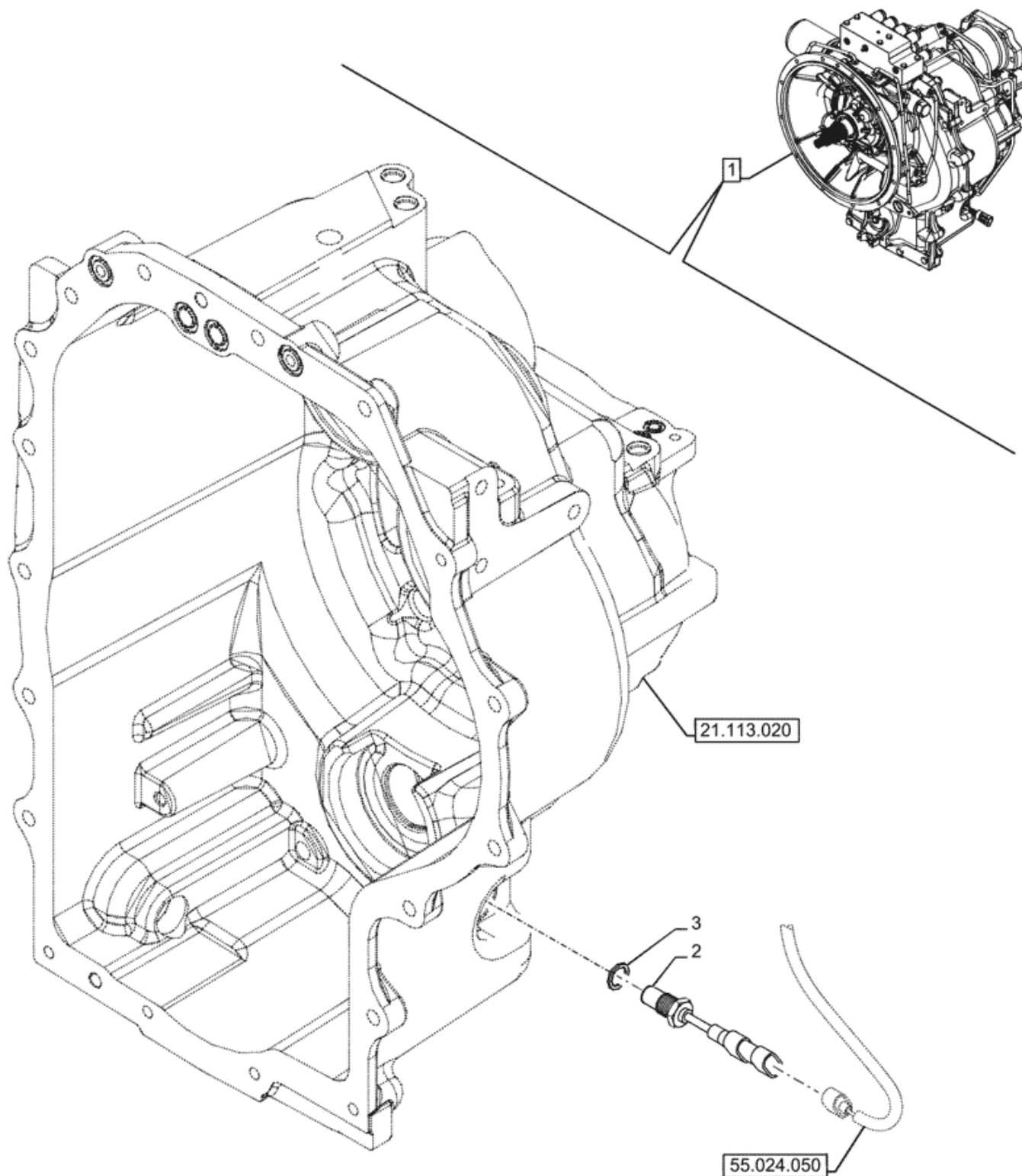


Serial Number :

Navigated Path : New Holland CE EUR > LIGHT EQUIPMENT > LOADER BACKHOES > B B > B110BTC - BACKHOE LOADER - TOOL CARRIER (LIVERY) - TIER 3 NRC (2/17-9/18) > 55 - ELECTRICAL SYSTEMS > 55.020.020 - VAR - 745194 - TRANSMISSION, POWERSHIFT, COMPONENTS, SPEED SENSOR, 4WD; (VAR) 745194019, 745194059 (TECHTYPE) B110B TOOL CARRIER SS 4WD >



Serial Number :

Navigated Path : New Holland CE EUR > LIGHT EQUIPMENT >LOADER BACKHOES >B B >B110BTC - BACKHOE LOADER - TOOL CARRIER (LIVERY) - TIER 3 NRC (2/17-9/18) >55 - ELECTRICAL SYSTEMS >55.020.020 - VAR - 745194 - TRANSMISSION, POWERSHIFT, COMPONENTS, SPEED SENSOR, 4WD; (VAR) 745194019, 745194059 (TECHTYPE) B110B TOOL CARRIER SS 4WD >

Ref	Qty	Part #	Part Description	Usage
2	1	87705451	SENSOR	