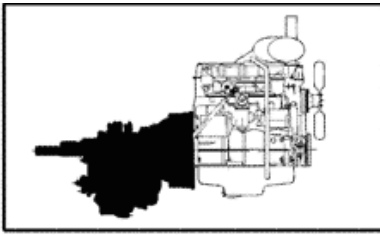


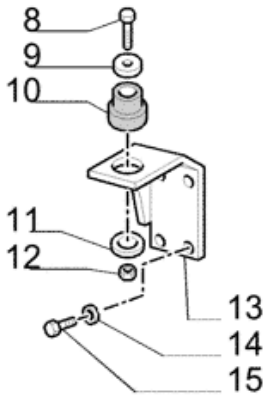
Serial Number :

Navigated Path : New Holland CE EUR > LIGHT EQUIPMENT > LOADER BACKHOES > LB > LB110 - BACKHOE LOADER UPGRADE 2000 (9/00-12/03) > 03 - TRANSMISSION & POWER TAKE OFF > 1.28.0[01] - TRANSMISSION ASSEMBLIES & MOUNTS >



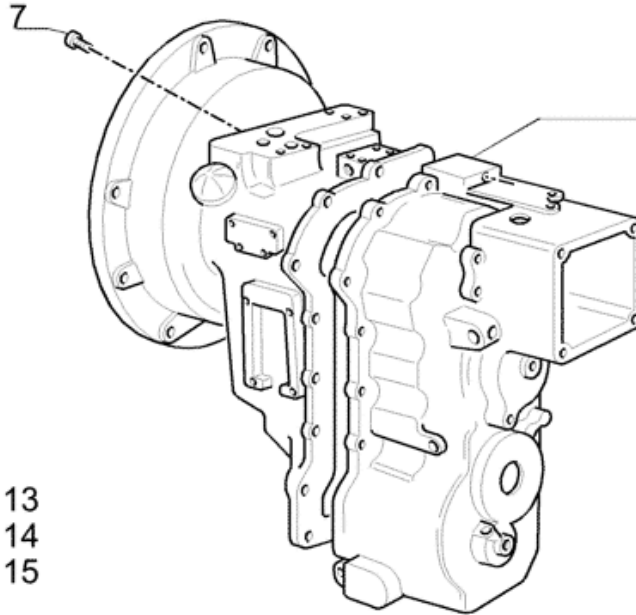
### POWER SHUTTLE

LB75-LB75.B-LB85-LB90  
LB95-LB110



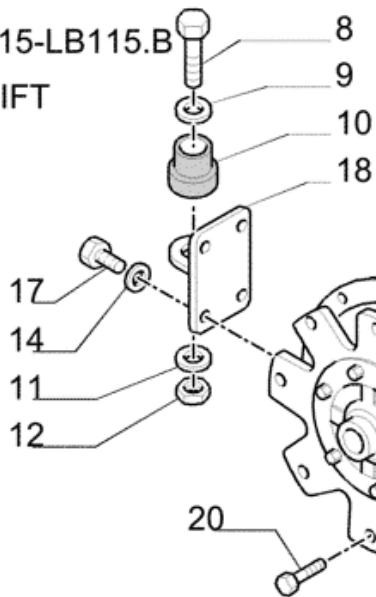
= 16

### KIT O-RING FOR DIRECTIONAL CONTROL VALVE

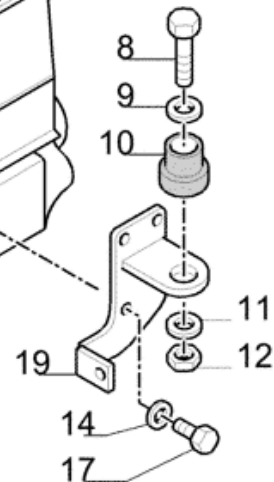


- |          |   |
|----------|---|
| 1.28.0/A | 1 |
| 1.28.0/B | 2 |
| 1.28.0/C | 3 |
| 1.28.0/D | 4 |

### LB90-LB110-LB115-LB115.B POWER SHIFT



- |          |   |
|----------|---|
| 1.28.0/E | 5 |
| 1.28.0/F | 6 |



**Serial Number :**

**Navigated Path :** New Holland CE EUR > LIGHT EQUIPMENT >LOADER BACKHOES >LB >LB110 - BACKHOE LOADER UPGRADE 2000 (9/00-12/03)  
>03 - TRANSMISSION & POWER TAKE OFF >1.28.0[01] - TRANSMISSION ASSEMBLIES & MOUNTS >

<b>Ref</b>	<b>Qty</b>	<b>Part #</b>	<b>Part Description</b>	<b>Usage</b>
5	1	85811907	TRANSMISSION	LB90-LB110