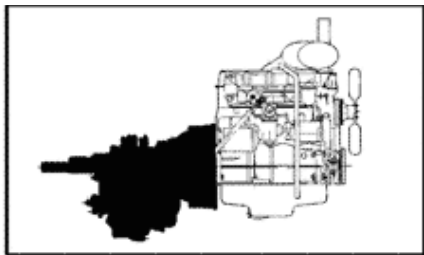


Serial Number:

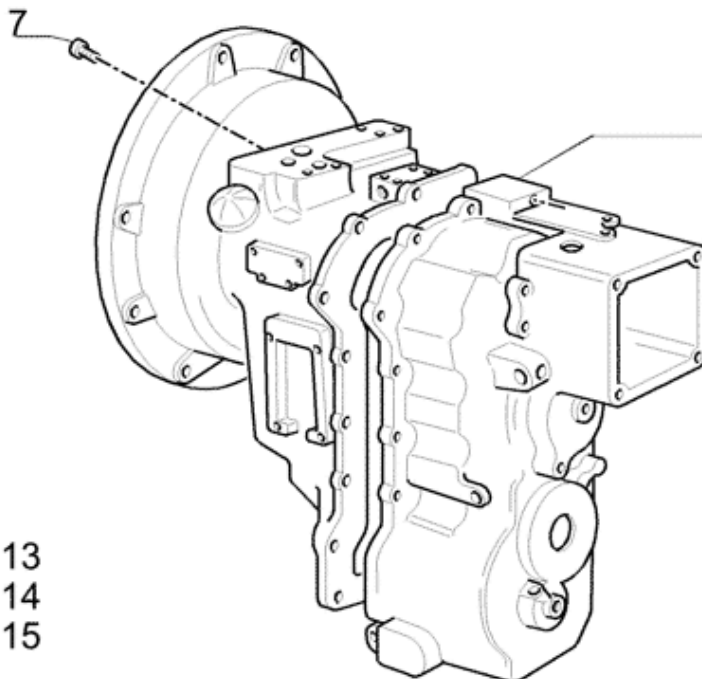
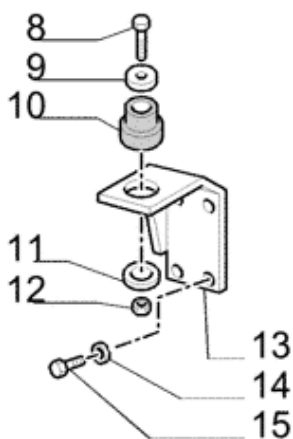
Navigated Path: New Holland CE EUR > LIGHT EQUIPMENT > LOADER BACKHOES > LB > LB115 - 4WS BACKHOE LOADER UPGRADE 2000 (9/00-12/03) > 03 - TRANSMISSION & POWER TAKE OFF > 1.28.0[01] - TRANSMISSION ASSEMBLIES & MOUNTS >



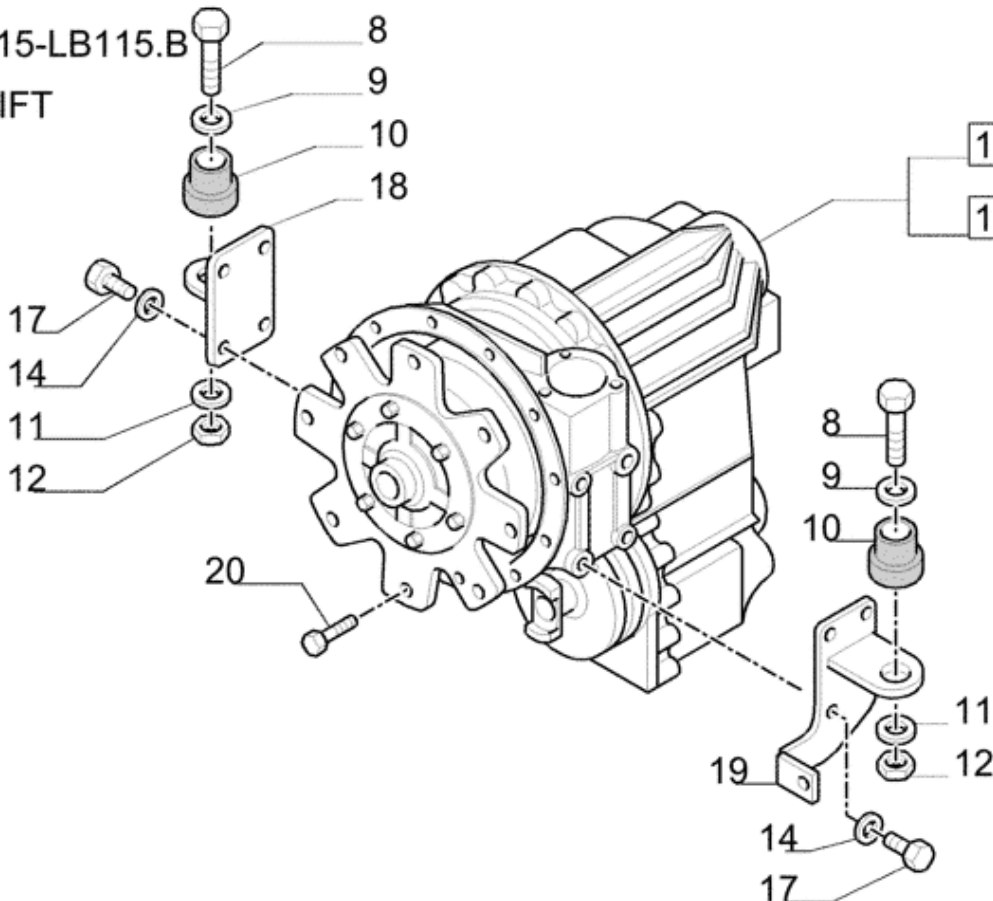
= 16

### KIT O-RING FOR DIRECTIONAL CONTROL VALVE

#### POWER SHUTTLE LB75-LB75.B-LB85-LB90 LB95-LB110



#### LB90-LB110-LB115-LB115.B POWER SHIFT



Serial Number:

Navigated Path: New Holland CE EUR > LIGHT EQUIPMENT >LOADER BACKHOES >LB >LB115 - 4WS BACKHOE LOADER UPGRADE 2000 (9/00-12/03) >03 - TRANSMISSION & POWER TAKE OFF >1.28.0[01] - TRANSMISSION ASSEMBLIES & MOUNTS >

Ref	Qty	Part #	Part Description	Usage
5	1	85811907	TRANSMISSION	LB90-LB110