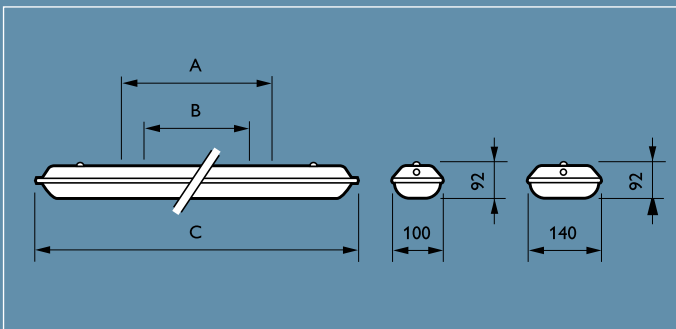




TCW216 2x 36W/58W



Dimensions in mm



Pacific TCW216

Functional shock-, vandal-, dust-, and jetproof luminaire for TL-D and TL5 fluorescent lamps. Fibre-glass reinforced polyester housing with a polycarbonate prismatic clear cover:

Fixation of the cover to the housing without additional lockers, but by innovative concept with integrated fixation points. Gear tray, 2 stainless steel ceiling fixation clips and cable entries (membranes) supplied with the luminaire.

Choice of different standard versions available:

- versions 1/2 x 18 W, 1/2 x 36 W, 1/2 x 58 W (TL-D) and 1/2 x 49 W (TL5),
- emergency lighting, 1- or 3-hours,
- ready-to-install, including lamp(s) and Waterproof External Connector (WEC),
- equipped with through-wiring 5 x 2.5 mm².

Applications

- Dust and moisture protected
- Impact protected

Technical description

- Gear/power supply:
HF: 220 V - 240 V (HFB, HFP, HFR, EI*)
conventional: 230 V
- Lamps: 1 and 2 TL-D or TL5 (16 mm) fluorescent
- Connection: fused connection block optional
- Material: grey fibre glass reinforced polyester housing and polycarbonate cover
- * Electronic Included

Installation

Quick installation.

Mounting: individual or in-line.

Separate access to ceiling clips possible via hatch in the packaging.

Easy 'click' installation by 2 stainless steel ceiling fixation clips.

Flexibility: variable fixation centres and different cable entries possible.

Pre-mounted cable entry.

Easy electrical connection due to solid gear tray suspension, or KIT version with Waterproof External Connector (WEC).

Maintenance

Quick maintenance.

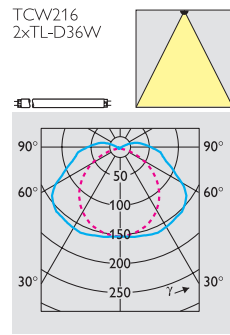
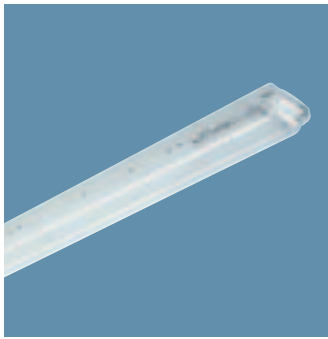
No loose parts.

Suspension of the cover.

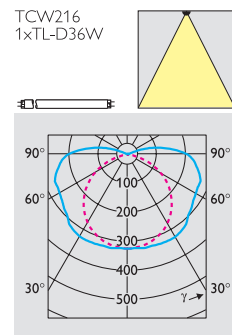
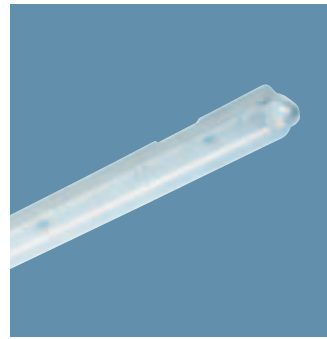
Accessories

Suspension hooks, cable gland IP 67, vandal-resistant lockers and brackets for suspension on Philips TTX410 trunking systems, eyebolts and through-wiring sets (see page 9.11).

| Product ID | A | | | B | C |
|------------------------|-----|-----|-----|-----|------|
| | Nom | Min | Max | | |
| TCW216 TL-D18W | 425 | 350 | 500 | 320 | 690 |
| TCW216 TL-D36W | 775 | 850 | 925 | 600 | 1300 |
| TCW216 TL5-49W/TL-D58W | 775 | 850 | 925 | 600 | 1600 |



TCW216 2x 36W/58W



TCW216 1x 36W/58W

Preferred selection

| Product ID | Light Output Ratio (LOR) | European Order Code (EOC) |
|-------------------------|--------------------------|---------------------------|
| TCW216 1xTL5-49W HFP PI | 0.83 | 29305900 |
| TCW216 1xTL-D18W HFP PI | 0.75 | 29183300 |
| TCW216 1xTL-D18W IC PI | 0.75 | 29143700 |
| TCW216 1xTL-D36W EI PI | 0.77 | 29972300 |
| TCW216 1xTL-D36W HFB PI | 0.77 | 29163500 |
| TCW216 1xTL-D36W HFP PI | 0.77 | 29185700 |
| TCW216 1xTL-D36W IC PI | 0.77 | 29145100 |
| TCW216 1xTL-D58W EI PI | 0.75 | 29979200 |
| TCW216 1xTL-D58W HFB PI | 0.75 | 29165900 |
| TCW216 1xTL-D58W HFP PI | 0.75 | 29187100 |
| TCW216 1xTL-D58W IC PI | 0.75 | 29147500 |
| TCW216 2xTL5-49W HFP PI | 0.77 | 29306600 |
| TCW216 2xTL-D18W HFP PI | 0.67 | 29184000 |
| TCW216 2xTL-D18W IC PI | 0.67 | 29144400 |
| TCW216 2xTL-D36W EI PI | 0.69 | 29986000 |
| TCW216 2xTL-D36W HFB PI | 0.69 | 29164200 |
| TCW216 2xTL-D36W HFP PI | 0.69 | 10347100 |
| TCW216 2xTL-D36W IC PI | 0.69 | 29146800 |
| TCW216 2xTL-D58W EI PI | 0.67 | 29993800 |
| TCW216 2xTL-D58W HFB PI | 0.67 | 29166600 |
| TCW216 2xTL-D58W HFP PI | 0.67 | 29188800 |
| TCW216 2xTL-D58W IC PI | 0.67 | 29148200 |

Associated accessories, see page 9.11



KIT version with lamps installed and Waterproof External Connector (WEC) for easy installation.