

Hotel Card Key Switch

The hotel card key switch is our newest design, with the feature of easy operation, working with different cards. They fit for different hotels' installation. They can be connected with all the socket, appliance and lighting controls in hotel rooms.



ES-20



Product Feature:

- LED indication and PC isolation material.
- Ensure all the devices shut off after withdrawing the card.
- Suitable for working with construction automation system, energy management system and lighting control system. Up to 20~30% energy saving, the same card for opening the door and gain power.

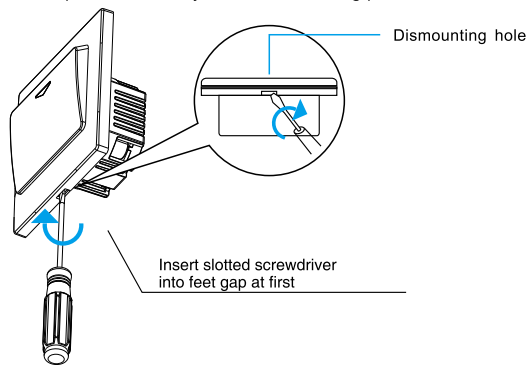
ITEM NO.

- ES-PE20
Any card for power switch
- ES-LF20
RF card switch (T5557)
- ES-HF20
Mi-fare One card switch(RFID)
- ES-MN20
Magnetic card switch

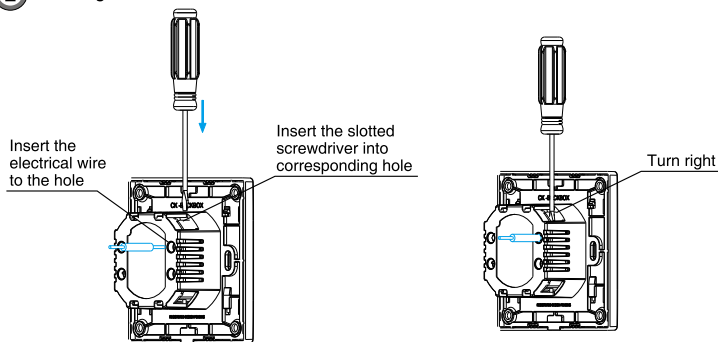
Color for reference: ivory (the default color) Grey, Silver, and Black.

SPECIFICATIONS

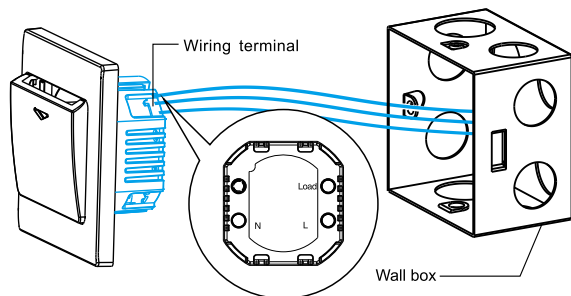
① Open the cover plate of card key switch from driving parts box with screwdriver



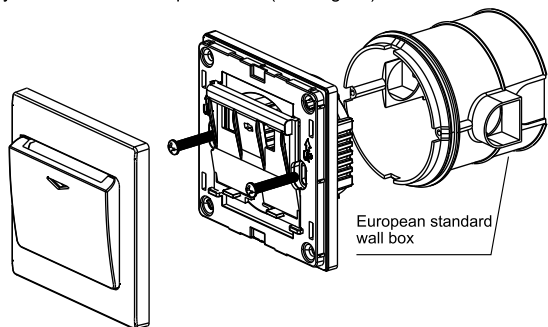
② Wiring method



③ Draw out power cable from wall box and trim up, press tightly on terminal block as illustration



④ Card key switch installation procedure (See figure)



Product Operation

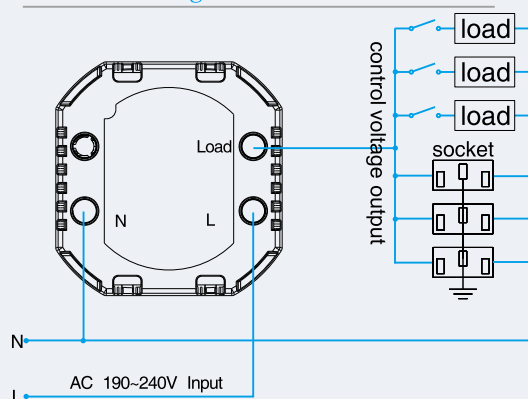
Insert a relevant card into the card switch, then all appliance gain power. When withdraw the card from the switch, there will be a 10~30 seconds power cut delay. Afterwards, power cut. To gain power again, just insert the card again.

Specification

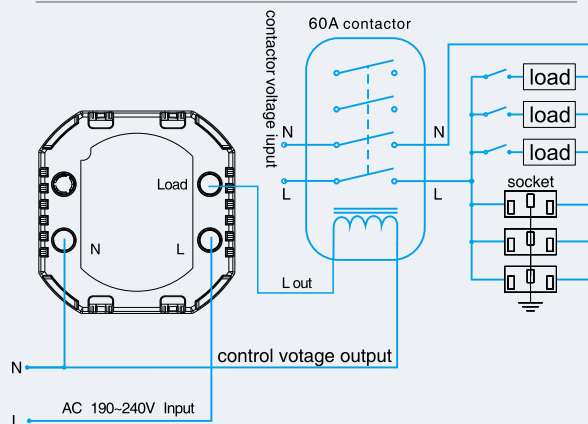
- Voltage: AC 190~240V; 50~60Hz
- Egress time delay: 10~30 seconds
- Load current: ≤16 A
- Service life: More than 100 thousand times for use while the relay with 220V load
- Operate temperature : -10°C~60°C
- Operate humidity: 50°C 10~95% RH
- Dimension: W86mm x H86mm x D44mm

Wiring

Normal wiring



Connected with AC contactor



Standard and Certificate

The product is designed and produced in accordance with CE .

Trouble Shooting Guide

Symptom	Possible cause	Solutions
No power after inserting card	1. Cut of Main switch or creepage protection switch	Turn on the main switch or creepage switch, if still trip, please check equipment if there is creepage
	2. Incorrect wiring or poor contact	Read user manual carefully, and ensure that input wire and output wire are tightly fixed on the terminal blocks
	3. The heterogeneous card or wrong card is inserted	Ensure the card is correct
No power cut after taking out the card	1. Over current damage the relay	Tap power switch, please return it to the agent or the manufacturer if it's not resolved
	2. Blocks of contamination in card jack	Clean the switch card jack

Warning: Please install contactor to help connect the card key switch if this card key switch is as be main switch to afford over current (i.e. air-condition system).