



FX3/4/5/6



3/4/5/6
mm
PIXEL PITCH

3D
READY

LIGHTWEIGHT

SUPER THIN

IP54
PROTECTION
LEVEL

CONTRAST

LOW NOISE

TRUE
BLACK

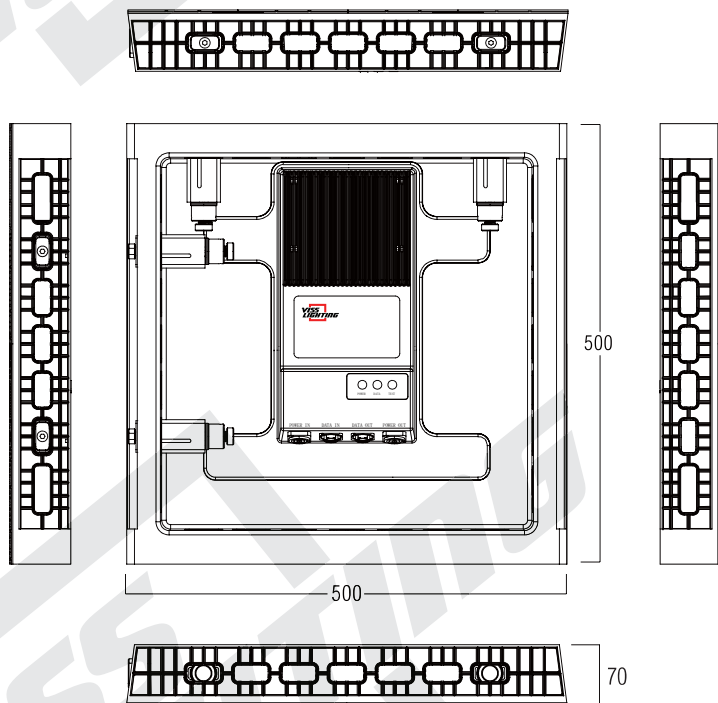
INSTALLATION
EASY

WIDE VIEW

ROTATION

Dimensions

All dimensions are in millimeters



SPECIFICATIONS

Specifications	FX3	FX4	FX5	FX6
PIXEL PITCH	3.9mm	4.6mm	5.2mm	6.25mm
PIXEL MATRIX	128X128 dot	108X108 dot	96X96 dot	80X80 dot
LED QUANTITY/MODULE	16384 dot	11664 dot	9216dot	6400 dot
PIXEL CONFIGURATIOL	SMD 3-IN-1			
BRIGHTNESS	1000-1500nit		4000nit	
DATA REFRESH RATE	800-5000Hz	800-2000Hz	1000-2000Hz	1000-2000Hz
WEIGHT	5.9kg			
MAX POWER CONSUMPTION	300W			
SHORTEST VIEWING DISTANCE	4m	5m	5m	6m
ANGLE OF ROTATION	±15°			
GRAY SCALE	16 bit			
BRIGHTNESS ADJUSTMENT	256 Level			
CONTRAST	2000:1			
UNIT SIZE	500X500X70mm			
UNIT AREA	0.25m ²			
VIEWING ANGLE(H/V)	140°/110°			
OUT-OF-CONTROL POINT	<0.0002			
TENURE LIFE OF LAMP-HOUR(50%BRIGHTNESS)	>50000 hours			
PROTECTION LEVEL	IP54			
WORK TEMPERATURE	-10°C~+40°C			
RELATIVE HUMIDITY	10%~90% RH			
WORK VOLTAGE	AC100~240V / 50~60Hz			
DRIVE MODE	Constant Current			
OPERATING SYSTEM	Windows (2000/XP/Vista/win7)			
CONTROL SYSTEM	AV,S-Video,VGA,CVBS,HDMI,DVI			
CONTROL DISTANCE	HSYV;<100m			
CERTIFICATE	CE			

www.visslighting.com

PRODUCT FEATURES

Super-light, Super-thin

Cabinet adopted Polymer technology materials, lightweight, anti-striking, broken-resistant. Weight of cabinet only 5.9 kg. The maximum thickness: 70mm. Less occupation, much easier for installation, make great convenience for transportation and installation in rental business.



No Electric Noise

Nature heat dissipation technology, realizing the design of fan free, high efficiency in heat dissipation.

www.visslighting.com

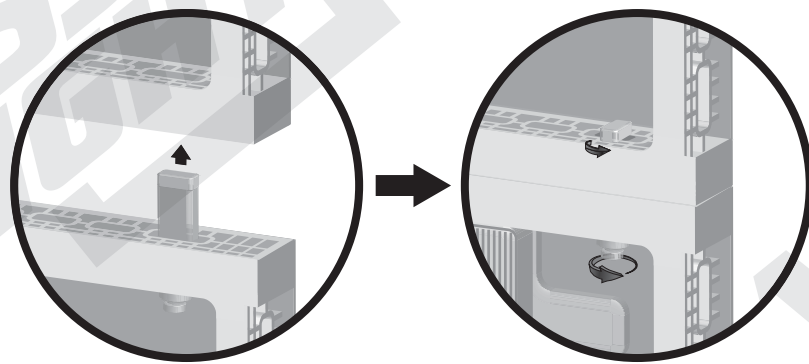
High precision

Die-casting molding, modular installation. Each part of the module is standardized to ensure perfect video effect and consistency for structure if customer increases more modules. Any cabinet can be taken out at arbitrary position of the whole screen, to accomplish any creative pattern.

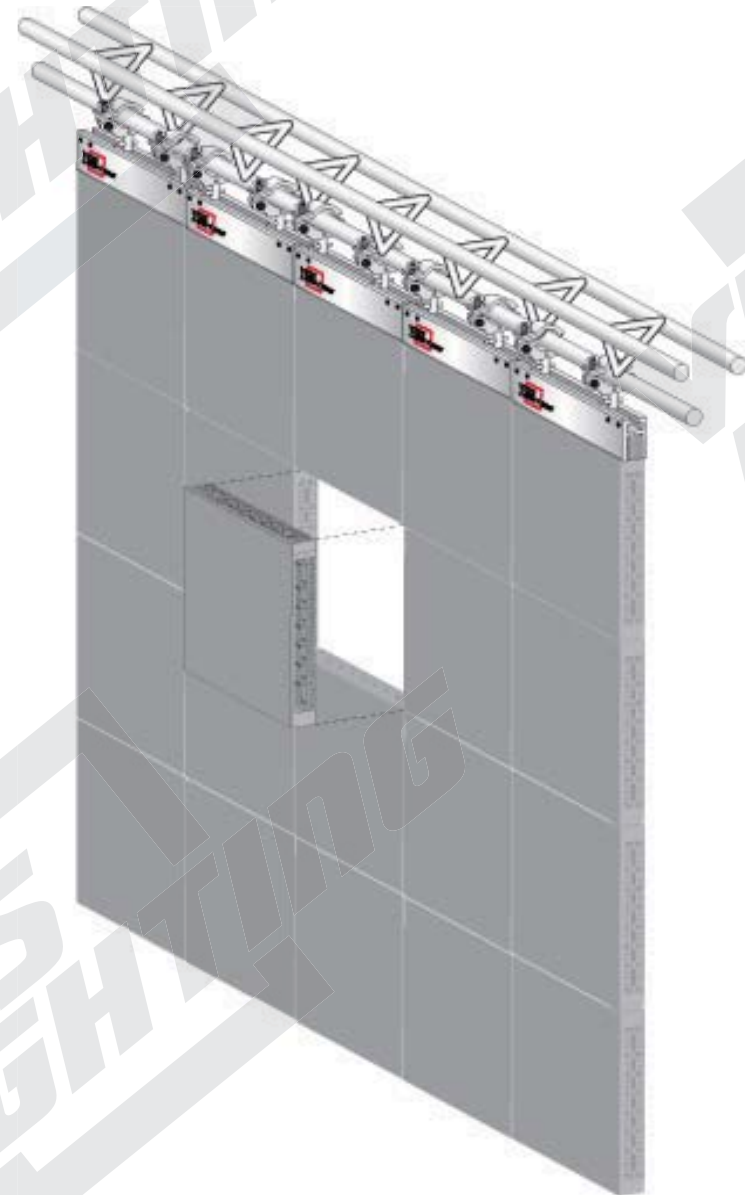
Easy installation and disassembly

Realizing tool-free for the installation and disassembly for the modules. Flexible module auto-lock structure, real seamless connection.

Back Installation:



Plane Installation:



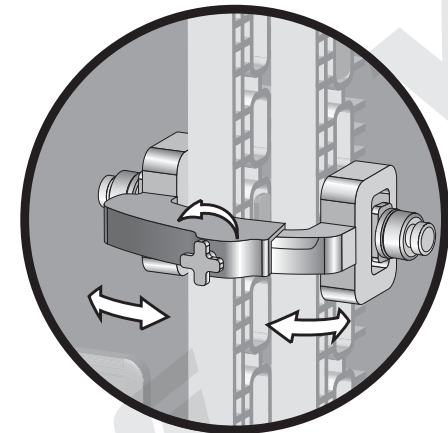
Cambered installation

It can be assembled with a $\pm 15^\circ$ radian, can be connected to a circular or cambered screen, meet all creative designs of customers.

Cambered Installation:

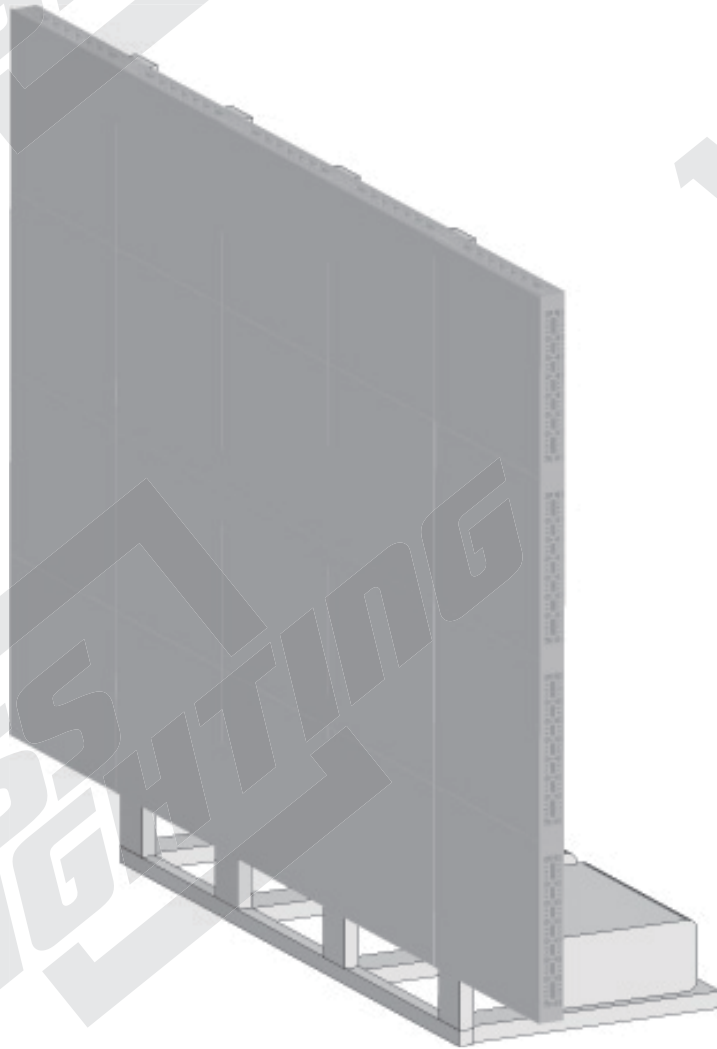


Curvature adjustment:



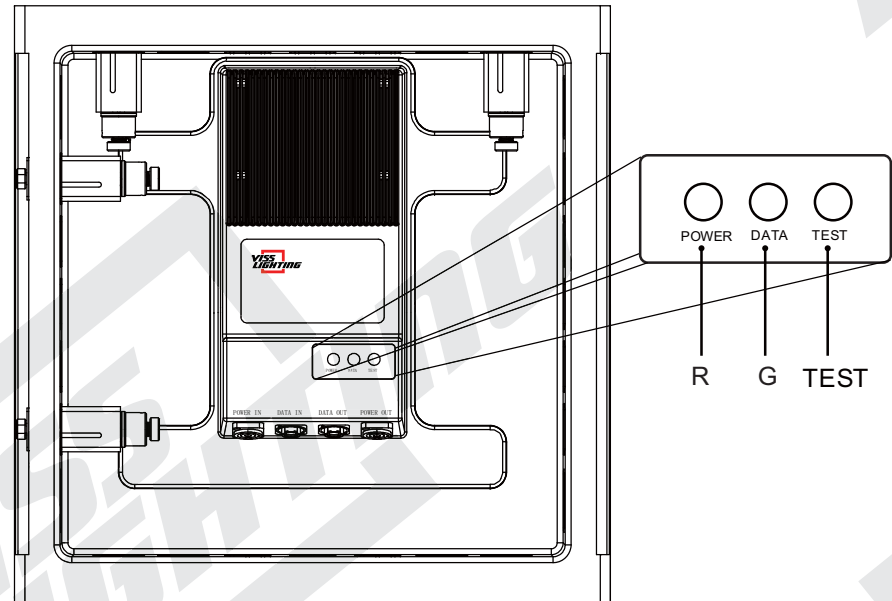
Turn the knob counterclockwise, Move the curvature adjustment piece to the sides or in the middle. Move to the sides, the screen surface will be the inner arc; to the middle, the screen surface will be the the outer arc. When adjust the proper angle, tighten knob clockwise, then radian is fixed well.

Vertical installation:



Intelligentize

Live show of the working temperature, power, communication condition and so on, quickly place the abnormal position.



SHOWCASE

