

# PROFESSIONAL LED LIGHTS FOR INDOOR AND OUTDOOR LIGHTNING

GIFAS

LED FLOODLIGHT ... LED SPOTLIGHT ... LED PENDANT LIGHT ... LED STREET LIGHT

ELECTRIC





---

## Content

### **LED light PLAZA flood- and spotlight**

LED floodlight PLAZA 901	page 5
LED floodlight PLAZA 925	page 6
LED spotlight PLAZA 925	page 7
LED floodlight PLAZA 990	page 8
LED spotlight PLAZA 990	page 9
LED floodlight PLAZA 960	page 10
LED spotlight PLAZA 960	page 11
LED floodlight PLAZA 970	page 12
LED spotlight PLAZA 970	page 13
LED floodlight PLAZA 972	page 14
LED spotlight PLAZA 972	page 15
Accessories for PLAZA 970 / 972	page 16

### **LED pendant light PLAZA**

LED pendant light PLAZA 995.B	page 17
LED pendant light PLAZA 995.E	page 17

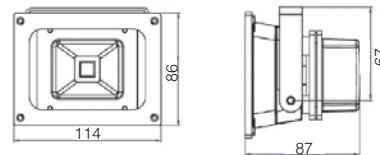
### **LED street light PLAZA**

LED street light PLAZA 5324	page 18
LED street light PLAZA 7235	page 19
LED street light PLAZA 720	page 20
LED street light PLAZA 920	page 21
LED street light PLAZA 1200	page 22



## LED Floodlight PLAZA 901

Maintenance-free LED-lamp for indoor and outdoor use



### Use

Advertising panels, gateways to yards, illumination of storefronts and objects, for emergency and salvage services, schools, public buildings...

Appropriate for all areas, that need a broad illumination area.

### Advantages

- Full luminous flux is immediately available
- Less power consumption at very high utilization ratio
- Minimum of temperature growth
- Extremely consistent in switching (>1 Mio)
- Maintenance free
- Broad operating range
- -40°C up to +55°C
- No UV/IR-radiation
- Insensible against pushing and vibrations

### Already included in the scope of delivery:

- retaining bracket for ceiling- wall- or floormounting

LED Power	10W
Voltage	230V AC
LED lighting efficiency	80lm/W
CRI-Index (colour rend. index)	Ra>80
Lifetime of LED	>50.000h
Loss of luminous flux	<10%
LED Consistency of switching	>1 Mio
Corralated colour temperature	5.500K
Operating range of temperature	-40°C bis +55°C
Material housing + reflector	aluminium
Colour	<b>silver-grey</b>
Cover	5mm safety-glass
International protection / protection class	IP65 / I
Weight	0,8kg
Dimensions L x W x H	114 x 86 x 87 mm

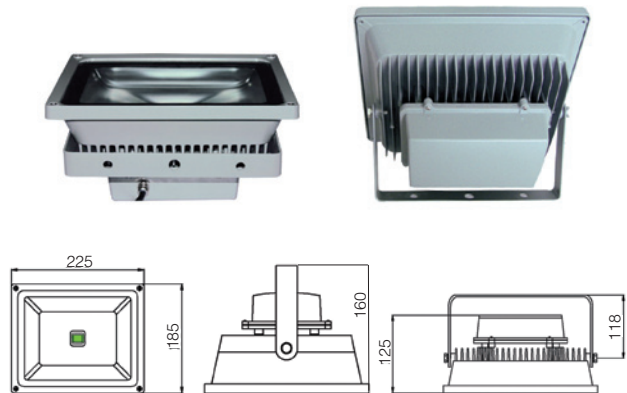
### Lightning colour coolwhite 5.500K

#### Watt EDP-No. Product-ID-No.

10W	92708	901.FLOOD.LED.10W.CW.230VAC.S3.M
with 3m Proflex cable with non-rewireable Schuko plug 16A 230V (IP44)		

# LED Floodlight PLAZA 925

Maintenance-free LED-lamp for indoor and outdoor use

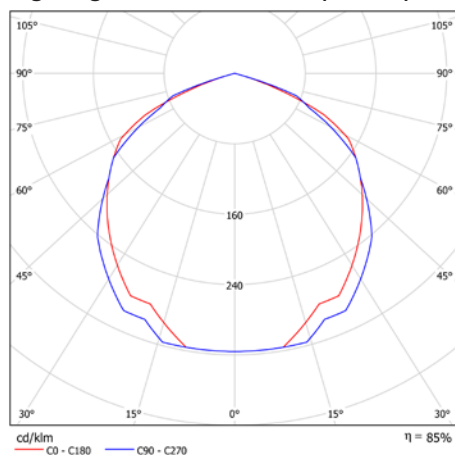


## Use

Advertising panels, gateways to yards, illumination of storefronts and objects, for emergency and salvage services, schools, public buildings...

Appropriate for all areas, that need a broad illumination area.

## Lighting distribution curve (at 30W)



LED Power	30W
Voltage	230V AC
LED lighting efficiency	100lm/W
CRI-Index (colour rend. index)	Ra>80
Lifetime of LED	>50.000h
Loss of luminous flux	<10%
LED Consistency of switching	>1 Mio
Corralated colour temperature	5.500K
Operating range of temperature	-40°C bis +55°C
Material housing + reflector	aluminium
Colour	<b>silver-grey</b>
Cover	5mm safety-glass
International protection / protection class	IP65 / I
Weight	2,3kg
Dimensions L x W x H	225 x 185 x 125 mm

## Advantages

- Full luminous flux is immediately available
- Less power consumption at very high utilization ratio
- Minimum of temperature growth
- Extremely consistent in switching (>1 Mio)
- Maintenance free
- Broad operating range
- -40°C up to +55°C
- No UV/IR-radiation
- Insensible against pushing and vibrations

## Already included in the scope of delivery:

- retaining bracket for ceiling- wall- or floormounting

## Lightning colour coolwhite 5.500K

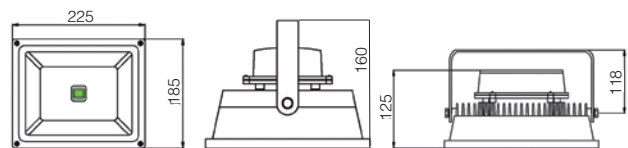
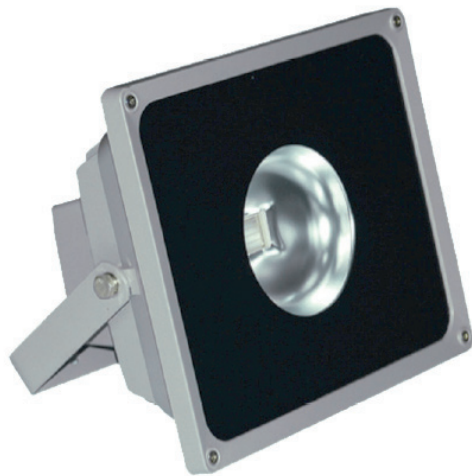
### Watt EDP-No. Product-ID-No.

30W	91110	925.FLOOD.LED.30W.CW.230VAC.IP65.S3.GG.M with 3m Proflex cable with non-rewireable Schuko plug 16A 230V (IP44)
30W	91539	925.FLOOD.LED.30W.CW.230VAC.IP65.M without cable

**Different powers, voltages and colour temperatures on request!**

## LED Spotlight PLAZA 925

Maintenance-free LED-lamp for indoor and outdoor use



### Use

Specific accentuation in the facades and object lighting.

### Advantages

- Full luminous flux is immediately available
- Less power consumption at very high utilization ratio
- Minimum of temperature growth
- Extremely consistent in switching (>1 Mio)
- Maintenance free
- Broad operating range
- -40°C up to +55°C
- No UV/IR-radiation
- Insensible against pushing and vibrations

### Already included in the scope of delivery:

- retaining bracket for ceiling- wall- or floormounting

LED Power	30W
Voltage	230V AC
LED lighting efficiency	100lm/W
CRI-Index (colour rend. index)	Ra>80
Lifetime of LED	>50.000h
Loss of luminous flux	<10%
LED Consistency of switching	>1 Mio
Corralated colour temperature	3.500K
Operating range of temperature	-40°C bis +55°C
Material housing + reflector	aluminium
Colour	silver-grey
Cover	5mm safety-glass
International protection / protection class	IP65 / I
Weight	2,3kg
Dimensions L x W x H	225 x 185 x 125 mm

### Lightning colour warmwhite 3.500K

#### Watt EDP-No. Product-ID-No.

30W 91112 925.SPOT.LED.30W.WW.230VAC.IP65.S3.GG.M  
with 3m Proflex cable with non-rewireable Schuko  
plug 16A 230V (IP44)

30W 91540 925.SPOT.LED.30W.WW.230VAC.IP65.M  
without cable

### Lightning colour coolwhite 5.500K

#### Watt EDP-No. Product-ID-No.

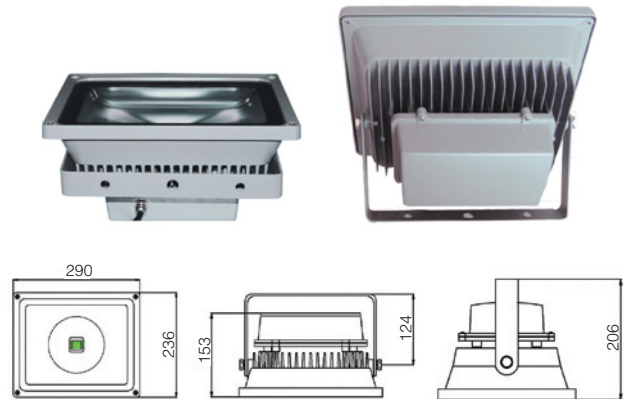
30W 93088 925.SPOT.LED.30W.CW.230VAC.IP65.S3.GG.M  
with 3m Proflex cable with non-rewireable Schuko  
plug 16A 230V (IP44)

30W 93089 925.SPOT.LED.30W.CW.230VAC.IP65.M  
without cable

**Different powers, voltages and colour temperatures on request!**

# LED Floodlight PLAZA 990

Maintenance-free LED-lamp for indoor and outdoor use

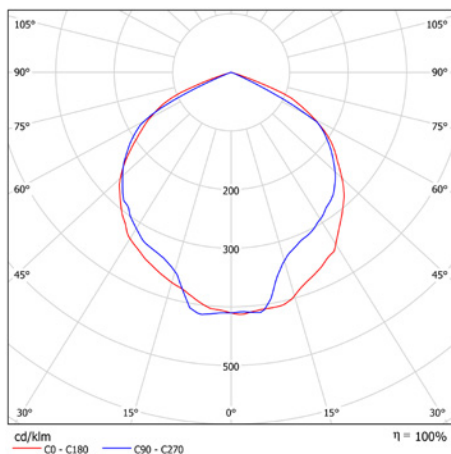


## Use

Advertising panels, gateways to yards, illumination of storefronts and objects, for emergency and salvage services, schools, public buildings...

Appropriate for all areas, that need a broad illumination area.

## Lighting distribution curve (at 50W)



## Advantages

- Full luminous flux is immediately available
- Less power consumption at very high utilization ratio
- Minimum of temperature growth
- Extremely consistent in switching (>1 Mio)
- Maintenance free
- Broad operating range
- -40°C up to +55°C
- No UV/IR-radiation
- Insensible against pushing and vibrations

## Already included in the scope of delivery:

- retaining bracket for ceiling- wall- or floor mounting

LED Power	50W
Voltage	230V AC
LED lighting efficiency	100lm/W
CRI-Index (colour rend. index)	Ra>80
Lifetime of LED	>50.000h
Loss of luminous flux	<10%
LED Consistency of switching	>1 Mio
Corralated colour temperature	5.500K
Operating range of temperature	-40°C bis +55°C
Material housing + reflector	aluminium
Colour	silver-grey
Cover	5mm safety-glass
International protection / protection class	IP65 / I
Weight	3,3kg
Dimensions L x W x H	290 x 236 x 206 mm

## Lightning colour coolwhite 5.500K

### Watt EDP-No. Product-ID-No.

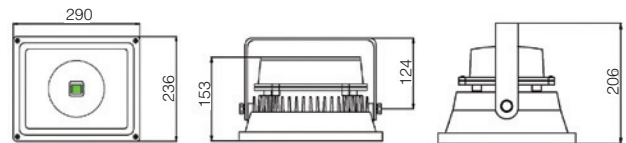
50W	91113	990.FLOOD.LED.50W.CW.230VAC.IP65.S3.GG.M with 3m Proflex cable with non-rewireable Schuko plug 16A 230V (IP44)
50W	91541	990.FLOOD.LED.50W.CW.230VAC.IP65.M without cable

**Different powers, voltages and colour temperatures on request!**



# LED Spotlight PLAZA 990

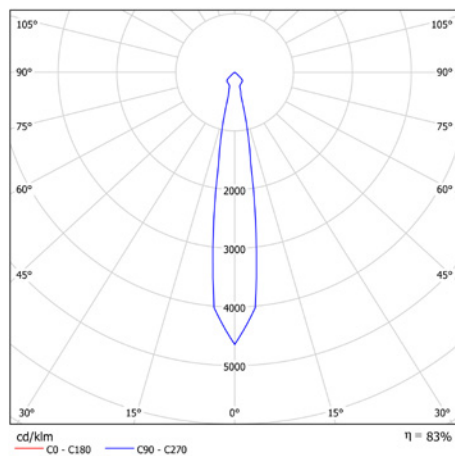
Maintenance-free LED-lamp for indoor and outdoor use



## Use

Specific accentuation in the facades and object lighting.

## Lighting distribution curve (at 50W)



LED Power	50W
Voltage	230V AC
LED lighting efficiency	100lm/W
CRI-Index (colour rend. index)	Ra>80
Lifetime of LED	>50.000h
Loss of luminous flux	<10%
LED Consistency of switching	>1 Mio
Corralated colour temperature	3.500K
Operating range of temperature	-40°C bis +55°C
Material housing + reflector	aluminium
Colour	silver-grey
Cover	5mm safety-glass
International protection / protection class	IP65 / I
Weight	3,3kg
Dimensions L x W x H	290 x 236 x 206 mm

## Advantages

- Full luminous flux is immediately available
- Less power consumption at very high utilization ratio
- Minimum of temperature growth
- Extremely consistent in switching (>1 Mio)
- Maintenance free
- Broad operating range
- -40°C up to +55°C
- No UV/IR-radiation
- Insensible against pushing and vibrations

## Already included in the scope of delivery:

- retaining bracket for ceiling- wall- or floormounting

## Lightning colour warmwhite 3.500K

### Watt EDP-No. Product-ID-No.

50W	91115	990.SPOT.LED.50W.WW.230VAC.IP65.S3.GG.M with 3m Proflex cable with non-rewireable Schuko plug 16A 230V (IP44)
50W	91542	990.SPOT.LED.50W.WW.230VAC.IP65.M without cable

**Different powers, voltages and colour temperatures on request!**

# LED Floodlight PLAZA 960

Maintenance-free LED-lamp for indoor and outdoor use

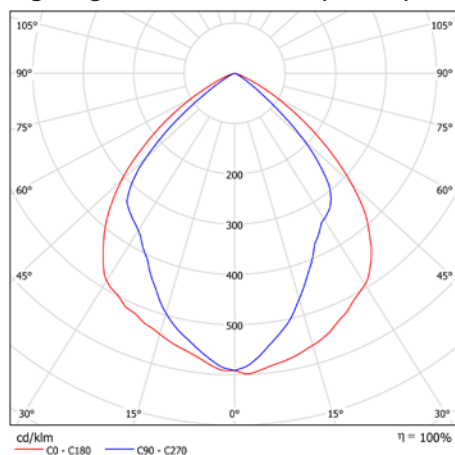


## Use

Advertising panels, gateways to yards, illumination of storefronts and objects, for emergency and salvage services, schools, public buildings...

Appropriate for all areas, that need a broad illumination area.

## Lighting distribution curve (at 40W)



LED Power	40W
Voltage	230V AC / 24V DC
LED lighting efficiency	100lm/W
CRI-Index (colour rend. index)	Ra>80
Lifetime of LED	>50.000h
Loss of luminous flux	<10%
LED Consistency of switching	>1 Mio
Corralated colour temperature	5.500K
Operating range of temperature	-40°C bis +55°C
Material housing + reflector	aluminium
Colour	black
Cover	5mm safety-glass
International protection / protection class	IP65 / I
Weight	3,3kg
Dimensions L x W x H	262 x 185 x 230 mm

## Advantages

- Full luminous flux is immediately available
- Less power consumption at very high utilization ratio
- Minimum of temperature growth
- Extremely consistent in switching (>1 Mio)
- Maintenance free
- Broad operating range
- -40°C up to +55°C
- No UV/IR-radiation
- Insensible against pushing and vibrations

## Already included in the scope of delivery:

- retaining bracket for ceiling- wall- or floormounting

## Lightning colour coolwhite 5.500K

### Watt EDP-No. Product-ID-No.

40W	91101	960.FLOOD.LED.40W.CW.230VAC.IP65.S3.GG.M with 3m Proflex cable with non-rewireable Schuko plug 16A 230V (IP44)
40W	91543	960.FLOOD.LED.40W.CW.230VAC.IP65.M without cable

## Lightning colour coolwhite 5.500K - 24V DC

### Watt EDP-No. Product-ID-No.

40W	91127	960.FLOOD.LED.40W.CW.24VDC.IP65.M
-----	-------	-----------------------------------

**Different powers, voltages and colour temperatures on request!**

# LED Spotlight PLAZA 960

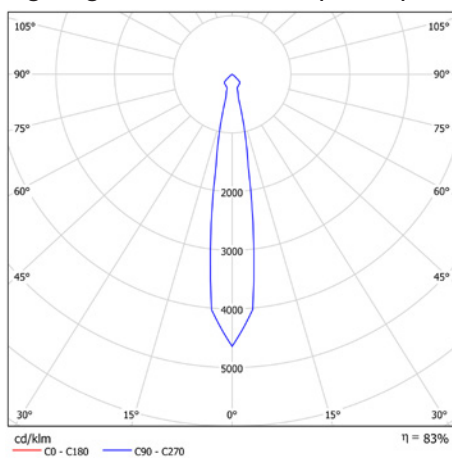
Maintenance-free LED-lamp for indoor and outdoor use



## Use

Specific accentuation in the facades and object lighting.

## Lighting distribution curve (at 40W)



LED Power	20W / 40W
Voltage	230V AC / 24V DC
LED lighting efficiency	100lm/W
CRI-Index (colour rend. index)	Ra>80
Lifetime of LED	>50.000h
Loss of luminous flux	<10%
LED Consistency of switching	>1 Mio
Corralated colour temperature	5.500K
Operating range of temperature	-40°C bis +55°C
Material housing + reflector	aluminium
Colour	black
Cover	5mm safety-glass
International protection / protection class	IP65 / I
Weight	3,3kg
Dimensions L x W x H	262 x 185 x 230 mm

## Advantages

- Full luminous flux is immediately available
- Less power consumption at very high utilization ratio
- Minimum of temperature growth
- Extremely consistent in switching (>1 Mio)
- Maintenance free
- Broad operating range
- -40°C up to +55°C
- No UV/IR-radiation
- Insensible against pushing and vibrations

## Already included in the scope of delivery:

- retaining bracket for ceiling- wall- or floormounting

## Lightning colour coolwhite 5.500K

### Watt EDP-No. Product-ID-No.

40W	91106	960.SPOT.LED.40W.CW.230VAC.IP65.S3.GG.M with 3m Proflex cable with non-rewireable Schuko plug 16A 230V (IP44)
40W	91544	960.SPOT.LED.40W.CW.230VAC.IP65.M without cable

## Lightning colour coolwhite 5.500K - 24V DC

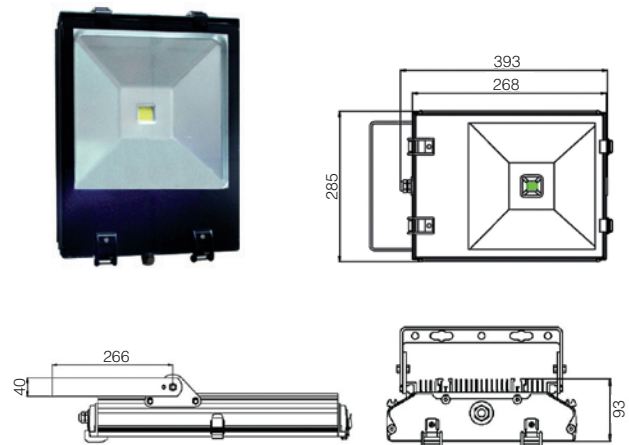
### Watt EDP-No. Product-ID-No.

20W	91128	960.SPOT.LED.20W.CW.24VDC.IP65.M
-----	-------	----------------------------------

**Different powers, voltages and colour temperatures on request!**

# LED Floodlight PLAZA 970

Maintenance-free LED-lamp for indoor and outdoor use

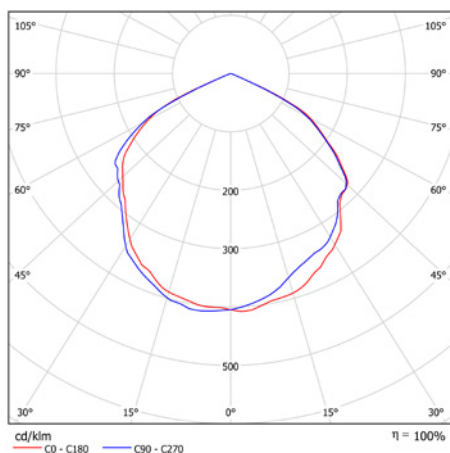


## Use

Industrial halls, advertising panels, gateways to yards, facades, objects, sport facilities, traffic tunnel . . .

Appropriate for all areas, that need a broad illumination area.

## Lighting distribution curve (at 70W)



## Advantages

- Full luminous flux is immediately available
- Less power consumption at very high utilization ratio
- Minimum of temperature growth
- Extremely consistent in switching (>1 Mio)
- Maintenance free
- Broad operating range
- -40°C up to +55°C
- No UV/IR-radiation
- Insensible against pushing and vibrations

## Already included in the scope of delivery:

- retaining bracket for ceiling- wall- or floormounting

## Accessory:

- Wheel holder (91012)  
(see page 16)

LED Power	50W / 70W
Voltage	230V AC / 24V DC
LED lighting efficiency	100lm/W
CRI-Index (colour rend. index)	Ra>80
Lifetime of LED	>50.000h
Loss of luminous flux	<10%
LED Consistency of switching	>1 Mio
Corralated colour temperature	5.500K
Operating range of temperature	-40°C bis +55°C
Material housing + reflector	aluminium
Colour	black
Cover	5mm safety-glass
International protection / protection class	IP65 / I
Weight	7,4kg
Dimensions L x W x H	393 x 285 x 93 mm

## Lightning colour coolwhite 5.500K

Watt	EDP-No.	Product-ID-No.
50W	91087	970.FLOOD.LED.50W.CW.230VAC.IP65.HI.M
70W	91090	970.FLOOD.LED.70W.CW.230VAC.IP65.HI.M

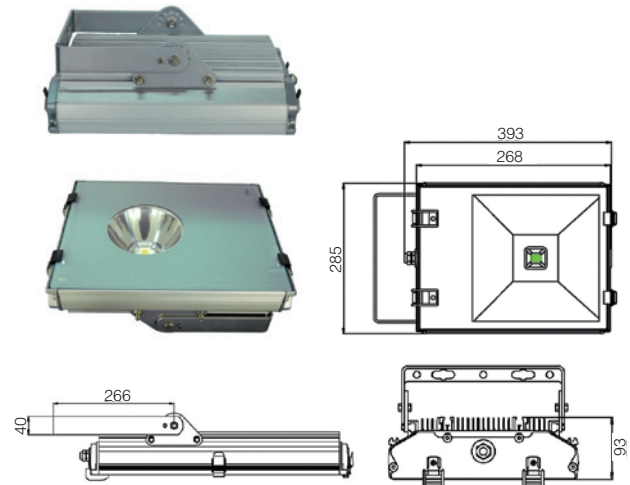
## Lightning colour coolwhite 5.500K - 24V DC

Watt	EDP-No.	Product-ID-No.
70W	91086	970.FLOOD.LED.70W.CW.24VDC.IP65.HI.M

**Different powers, voltages and colour temperatures on request!**

# LED Spotlight PLAZA 970

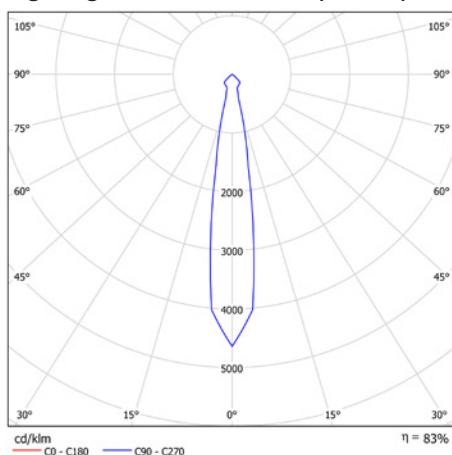
Maintenance-free LED-lamp for indoor and outdoor use



## Use

Specific accentuation in the facades and object lighting.

## Lighting distribution curve (at 70W)



LED Power	30W / 70W
Voltage	230V AC / 24V DC
LED lighting efficiency	100lm/W
CRI-Index (colour rend. index)	Ra>80
Lifetime of LED	>50.000h
Loss of luminous flux	<10%
LED Consistency of switching	>1 Mio
Corralated colour temperature	5.500K
Operating range of temperature	-40°C bis +55°C
Material housing + reflector	aluminium
Colour	silver-grey
Cover	5mm safety-glass
International protection / protection class	IP65 / I
Weight	7,4kg
Dimensions L x W x H	393 x 285 x 93 mm

## Advantages

- Full luminous flux is immediately available
- Less power consumption at very high utilization ratio
- Minimum of temperature growth
- Extremely consistent in switching (>1 Mio)
- Maintenance free
- Broad operating range
- -40°C up to +55°C
- No UV/IR-radiation
- Insensible against pushing and vibrations

## Already included in the scope of delivery:

- retaining bracket for ceiling- wall- or floormounting

## Accessory:

- Wheel holder (91012)  
(see page 16)

## Lightning colour coolwhite 5.500K

**Watt EDP-No. Product-ID-No.**

70W 91096 970.SPOT.LED.70W.CW.230VAC.IP65.HI.M

## Lightning colour coolwhite 5.500K - 24V DC

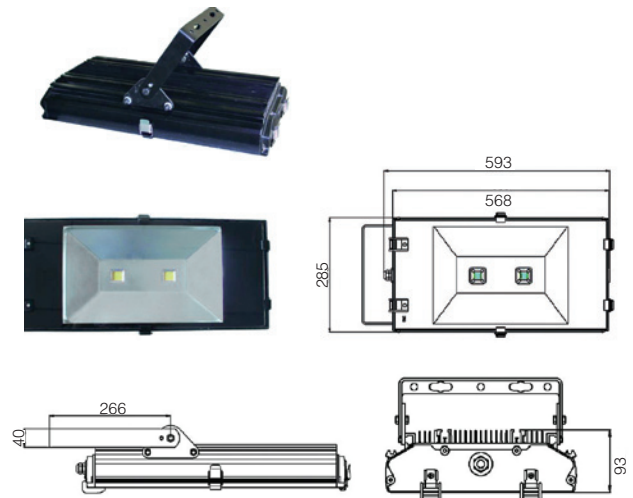
**Watt EDP-No. Product-ID-No.**

30W 91093 970.SPOT.LED.30W.CW.24VDC.IP65.HI.M

**Different powers, voltages and colour temperatures on request!**

# LED Floodlight PLAZA 972

Maintenance-free LED-lamp for indoor and outdoor use

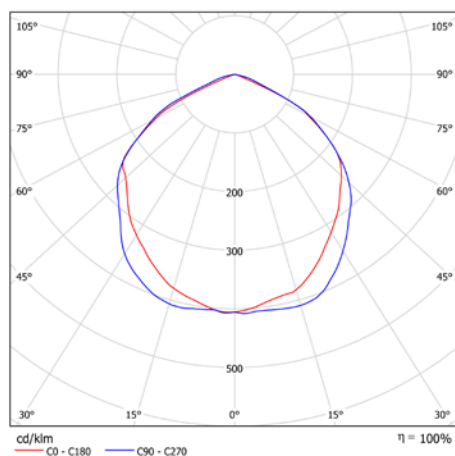


## Use

Industrial halls, advertising panels, gateways to yards, facades, objects, sport facilities, traffic tunnel . . .

Appropriate for all areas, that need a broad illumination area.

## Lighting distribution curve (at 140W)



LED Power	140W
Voltage	230V AC
LED lighting efficiency	100lm/W
CRI-Index (colour rend. index)	Ra>80
Lifetime of LED	>50.000h
Loss of luminous flux	<10%
LED Consistency of switching	>1 Mio
Corralated colour temperature	5.500K
Operating range of temperature	-40°C bis +55°C
Material housing + reflector	aluminium
Colour	black
Cover	5mm safety-glass
International protection / protection class	IP65 / I
Weight	10,6kg
Dimensions L x W x H	593 x 285 x 93 mm

## Advantages

- Full luminous flux is immediately available
- Less power consumption at very high utilization ratio
- Minimum of temperature growth
- Extremely consistent in switching (>1 Mio)
- Maintenance free
- Broad operating range
- -40°C up to +55°C
- No UV/IR-radiation
- Insensible against pushing and vibrations

## Already included in the scope of delivery:

- retaining bracket for ceiling- wall- or floormounting

## Accessory:

- Wheel holder (91012)  
(see page 16)

## Lightning colour coolwhite 5.500K

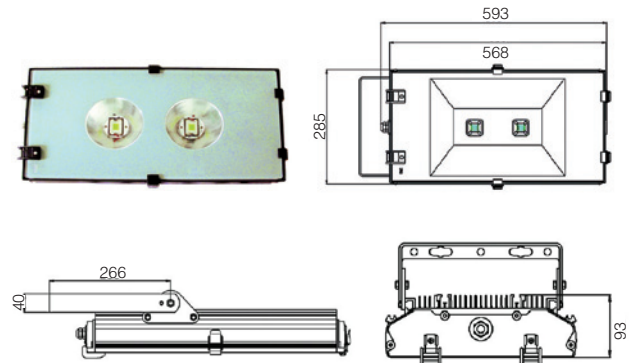
**Watt EDP-No. Product-ID-No.**

140W 91079 972.FLOOD.LED.140W.CW.230VAC.IP65.HI.M

**Different powers, voltages and colour temperatures on request!**

# LED Spotlight PLAZA 972

Maintenance-free LED-lamp for indoor and outdoor use

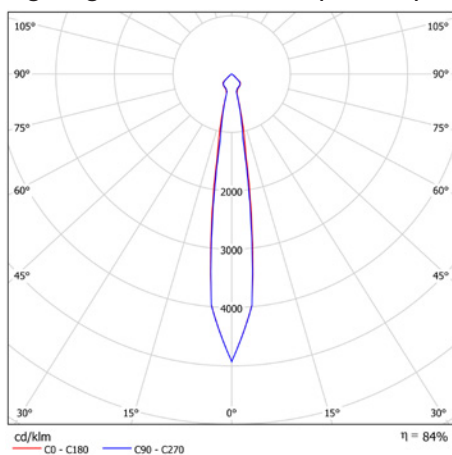


## Use

Specific accentuation in the facades and object lighting.

Reach to approx. 200 m.

## Lighting distribution curve (at 140W)



LED Power	140W
Voltage	230V AC
LED lighting efficiency	100lm/W
CRI-Index (colour rend. index)	Ra>80
Lifetime of LED	>50.000h
Loss of luminous flux	<10%
LED Consistency of switching	>1 Mio
Corralated colour temperature	5.500K
Operating range of temperature	-40°C bis +55°C
Material housing + reflector	aluminium
Colour	silver-grey
Cover	5mm safety-glass
International protection / protection class	IP65 / I
Weight	10,6kg
Dimensions L x W x H	593 x 285 x 93 mm

## Advantages

- Full luminous flux is immediately available
- Less power consumption at very high utilization ratio
- Minimum of temperature growth
- Extremely consistent in switching (>1 Mio)
- Maintenance free
- Broad operating range
- -40°C up to +55°C
- No UV/IR-radiation
- Insensible against pushing and vibrations

## Already included in the scope of delivery:

- retaining bracket for ceiling- wall- or floormounting

## Accessory:

- Wheel holder (91012)  
(see page 16)

## Lightning colour coolwhite 5.500K

**Watt EDP-No. Product-ID-No.**

140W 91083 972.SPOT.LED.140W.CW.230VAC.IP65.HI.M

**Different powers, voltages and colour temperatures on request!**

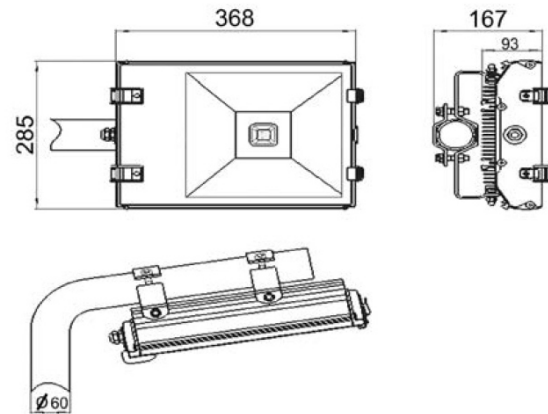
## Accessories for 970 / 972

The lamps of series spotlight and floodlight can be mounted via hammer-head-bolts on the nut-profiles.

Square nuts can be slided-in the open profiles.

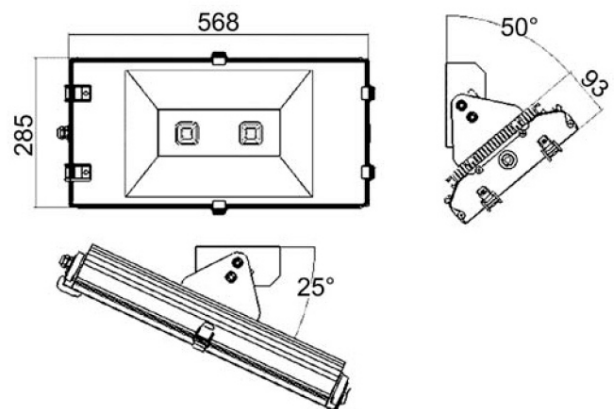
### 970/972.MASTHALTER.60MM.ST37.SW.

with clips, up to 60mm  
material: steel, black coated



### 970/972.SCHWENKHALTER.ST37.SW

optional positioning  
angle crosswise +/- 25°  
angle lengthwise +/- 50°  
material: steel, black coated



#### Description

Mastholder up to D=60mm  
Holder crosswise +/- 25° / lengthwise +/- 50°

#### Product-ID-No.

970/972.MASTHALTER.60MM.ST37.SW.  
970/972.SCHWENKHALTER.ST37.SW.

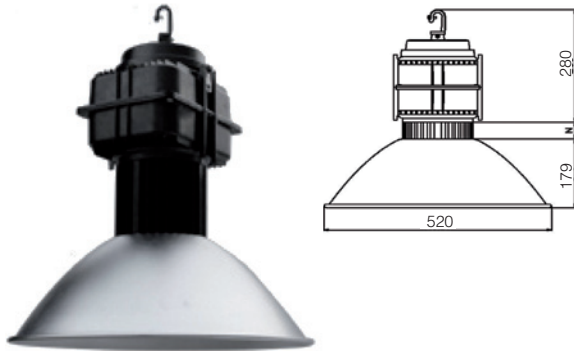
#### EDP-No.

91214  
91012

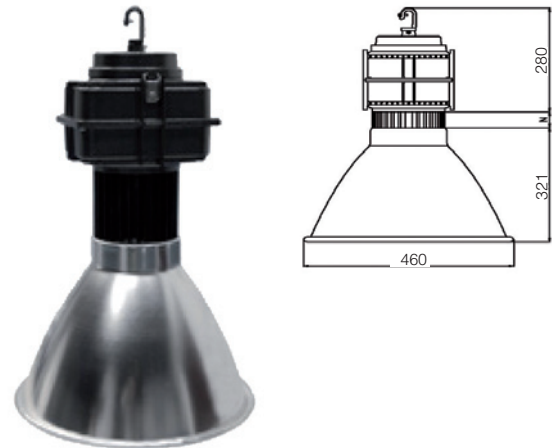


# LED Pendant light PLAZA 995

Maintenance-free, dustproof LED-lamp for indoor use.



**995.B D=520mm**



**995.E D=460mm**

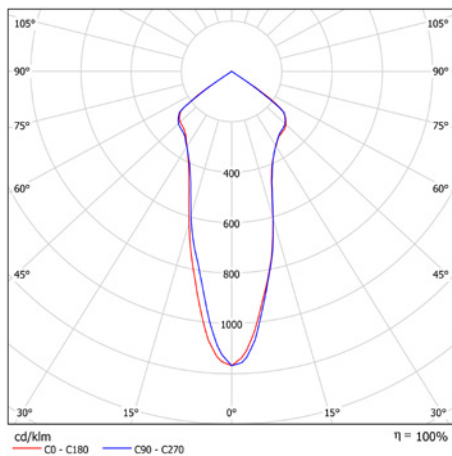
## Use

Broad illumination for industry and trade.

**995.B for mounting in approx 8m**

**995.E for mounting up to approx 8m**

## Lighting distribution curve 995.B (at 100W)

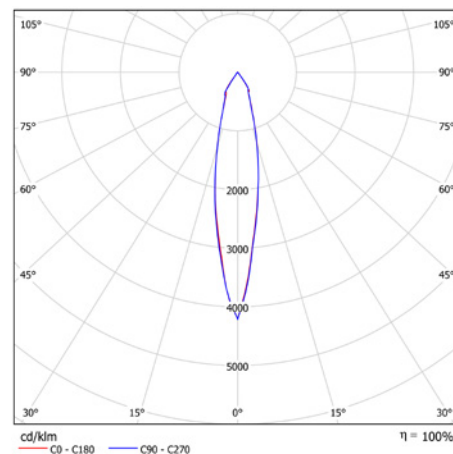


LED Power	100W
Voltage	230V AC
LED lighting efficiency	100lm/W
CRI-Index (colour rend. index)	Ra>80
Lifetime of LED	>50.000h
Loss of luminous flux	<10%
LED Consistency of switching	>1 Mio
Corralated colour temperature	5.500K
LED Consistency of switching	-40°C bis +55°C
Material housing + reflector	aluminium
Colour	silver-grey / black
Cover	Acrylglas
International protection / protection class	IP65 / I
Weight	5,1kg
Dimensions 995.B W x H	520 x 584 mm
Dimensions 995.E W x H	460 x 726 mm

## Advantages

- Full luminous flux is immediately available
- Less power consumption at very high utilization ratio
- Minimum of temperature growth
- Extremely consistent in switching (>1 Mio)
- Maintenance free
- Broad operating range
- -40°C up to +55°C
- No UV/IR-radiation
- Insensible against pushing and vibrations

## Lighting distribution curve 995.E (at 100W)



## Lightning colour coolwhite 5.500K

Watt	EDP-No.	Product-ID-No.
100W	91116	995.B.HÄ.LED.100W.CW.230VAC.IP65.M
100W	91118	995.E.HÄ.LED.100W.CW.230VAC.IP65.M

**Different powers, voltages and colour temperatures on request!**

# LED Street light PLAZA 5324

Maintenance-free LED-lamp for outdoor use



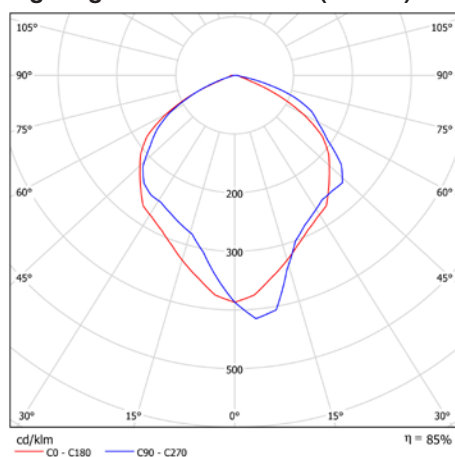
## Use

lighting for parking place, pathway, school, parks, . . .

## Advantages

- Full luminous flux is immediately available
- Minimum of temperature growth
- Extremely consistent in switching (>1 Mio)
- Maintenance free
- Broad operating range  
-30°C up to +60°C
- No UV/IR-radiation
- Insensible against pushing and vibrations
- Long living

## Lighting distribution curve (at 20W)



LED Power	20W
Voltage	85-265V AC
LED lighting efficiency	100lm/W
CRI-Index (colour rend. index)	Ra>80
Lifetime of LED	>50.000h
LED Consistency of switching	>1 Mio
Corralated colour temperature	5.500K
Operating range of temp.	-30°C bis +60 C
Material housing + reflector	aluminium
Flying spot	up to approx. 4m
for lamp pipe diameter	up to 52mm
International protection / protection class	IP65 / I
Weight	4kg
Dimensions L x W x H	530 x 242 x 142 mm

**Lightning colour coolwhite 5.500K**

**Watt EDP-No. Product-ID-No.**

20W 91123 MASTANSATZL.5324.85-265V.20W.CW.IP65.M

**Different powers, voltages (also 24V DC for solar supply) and colour temperatures on request!**

# LED Street light PLAZA 7235

Maintenance-free LED-lamp for outdoor use



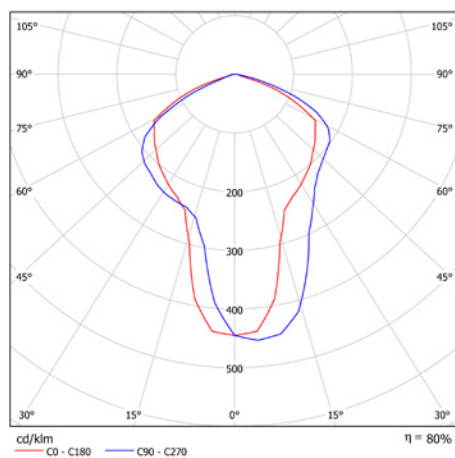
## Use

lighting for parking place, parks, place space, . . .

## Advantages

- Full luminous flux is immediately available
- Minimum of temperature growth
- Extremely consistent in switching (>1 Mio)
- Maintenance free
- Broad operating range  
-30°C up to +60°C
- No UV/IR-radiation
- Insensible against pushing and vibrations
- Long living

## Lighting distribution curve (at 40W)



LED Power	40W
Voltage	85-265V AC
LED lighting efficiency	100lm/W
CRI-Index (colour rend. index)	Ra>80
Lifetime of LED	>50.000h
LED Consistency of switching	>1 Mio
Corralated colour temperature	5.500K
Operating range of temp.	-30°C bis +60 C
Material housing + reflector	aluminium
Flying spot	up to approx. 6m
for lamp pipe diameter	up to 60mm
International protection / protection class	IP65 / I
Weight	6,5kg
Dimensions L x W x H	713 x 354 x 161 mm

**Lightning colour coolwhite 5.500K**

**Watt EDP-No. Product-ID-No.**

40W 91289 MASTANSATZL.7235.85-265V.40W.CW.IP65.M

**Different powers, voltages (also 24V DC for solar supply) and colour temperatures on request!**

# LED Street light PLAZA 720

Maintenance-free LED-lamp for outdoor use



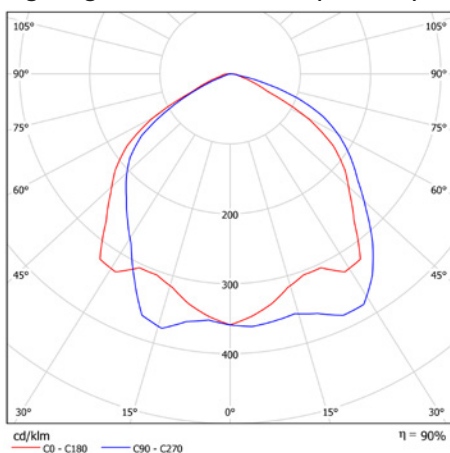
## Use

lighting for streets, parking place, pathway, parks, school . . .

## Advantages

- Full luminous flux is immediately available
- Minimum of temperature growth
- Extremely consistent in switching (>1 Mio)
- Maintenance free
- Broad operating range  
-30°C up to +60°C
- No UV/IR-radiation
- Insensible against pushing and vibrations
- Long living

## Lighting distribution curve (at 100W)



LED Power	100W
Voltage	85-265V AC
LED lighting efficiency	100lm/W
CRI-Index (colour rend. index)	Ra>80
Lifetime of LED	>50.000h
LED Consistency of switching	>1 Mio
Corralated colour temperature	5.500K
Operating range of temp.	-30°C bis +60 C
Material housing + reflector	aluminium
Flying spot	up to approx. 8m
for lamp pipe diameter	up to 60mm
International protection / protection class	IP65 / I
Weight	9,6kg
Dimensions L x W x H	720 x 324 x 172 mm

**Lightning colour coolwhite 5.500K**

**Watt EDP-No. Product-ID-No.**

100W 91124 MASTANSATZL.720.85-265V.100W.CW.IP65.M

**Different powers, voltages (also 24V DC for solar supply) and colour temperatures on request!**

# LED Street light PLAZA 920

Maintenance-free LED-lamp for outdoor use



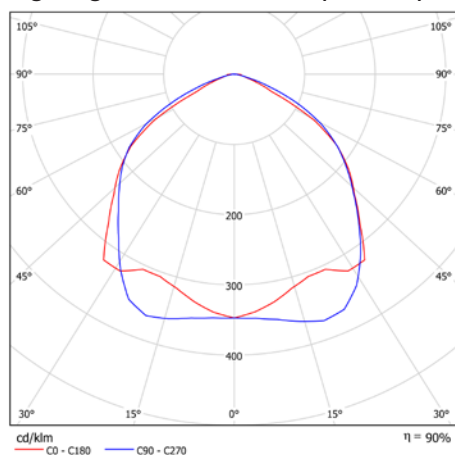
## Use

lighting for streets, pathway, parking place, industry, school . . .

## Advantages

- Full luminous flux is immediately available
- Minimum of temperature growth
- Extremely consistent in switching (>1 Mio)
- Maintenance free
- Broad operating range  
-30°C up to +60°C
- No UV/IR-radiation
- Insensible against pushing and vibrations
- Long living

## Lighting distribution curve (at 100W)



LED Power	100W
Voltage	85-265V AC
LED lighting efficiency	100lm/W
CRI-Index (colour rend. index)	Ra>80
Lifetime of LED	>50.000h
LED Consistency of switching	>1 Mio
Corralated colour temperature	5.500K
Operating range of temp.	-30°C bis +60 C
Material housing + reflector	aluminium
Flying spot	up to approx. 9m
for lamp pipe diameter	up to 60mm
International protection / protection class	IP65 / I
Weight	9,7kg
Dimensions L x W x H	940 x 300 x 175 mm

**Lightning colour coolwhite 5.500K**

**Watt EDP-No. Product-ID-No.**

100W 91290 MASTANSATZL.920.85-265V.100W.CW.IP65.M

**Different powers, voltages (also 24V DC for solar supply) and colour temperatures on request!**

# LED Street light PLAZA 1200

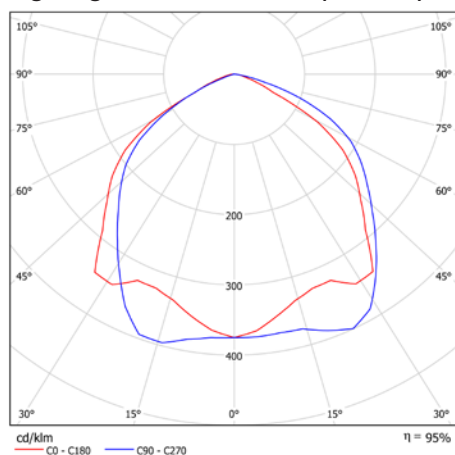
Maintenance-free LED-lamp for outdoor use



## Use

lighting for streets, pathway, parking place, place space, school, industry, . . .

## Lighting distribution curve (at 200W)



## Advantages

- Full luminous flux is immediately available
- Minimum of temperature growth
- Extremely consistent in switching (>1 Mio)
- Maintenance free
- Broad operating range  
-30°C up to +60°C
- No UV/IR-radiation
- Insensible against pushing and vibrations
- Long living

LED Power	200W
Voltage	85-265V AC
LED lighting efficiency	80lm/W
CRI-Index (colour rend. index)	Ra>80
Lifetime of LED	>50.000h
LED Consistency of switching	>1 Mio
Corralated colour temperature	5.500K
Operating range of temp.	-30°C bis +60 C
Material housing + reflector	aluminium
Flying spot	up to approx. 14m
for lamp pipe diameter	up to 60mm
International protection / protection class	IP65 / I
Weight	20,7kg
Dimensions L x W x H	1193 x 425 x 205 mm

**Lightning colour coolwhite 5.500K**

**Watt EDP-No. Product-ID-No.**

200W 91291 MASTANSATZL.1200.85-265V.200W.CW.IP65.M

**Different powers, voltages (also 24V DC for solar supply) and colour temperatures on request!**



**GIFAS-ELECTRIC** GmbH  
Pebering-Straß 2  
5301 Eugendorf  
AUSTRIA

Tel.: +43 (0) 6225 / 7191 - 0  
Fax: +43 (0) 6225 / 7191 - 47  
Web: [www.gifas.at](http://www.gifas.at)  
Mail: [office@gifas.at](mailto:office@gifas.at)