

SANDER®



SANDER®

CABIN SYSTEMS

General Information



From now on you do not have to spend time to divide the wet areas, just leave the four walls and let us sort it out with cabin systems.

Cubicle systems provides you more space with their 12 mm thickness and resistance along with saving you expenses in brickwork, stucco and tile labor.

Cubicle systems, as well as being applicable in any colors, provide you the freedom to make combinations thus, allowing you to make a difference in your wet areas. At the same time, it colours your view with it's many appliances in different structures and features.

You only have to choose the detail and the components, which are all manufactured and inspected in great detail during the whole manufacturing process by Sander, from our wide variety of models for your construction and let us implement it.



WC Cabins

Orion Classic

Orion classic series is one of the first models of cubicle systems that carry traces of the past.

It is a product with visual and simple accessory diversity that does not go beyond the standards giving functionality complete prominence and that continues to be plain and economical. It is a system that can be used safely in hectic places for years and must be used especially in hospitals, schools, factories etc.



WC Cabins

Multisilver

Multisilver is designed to perform even in the most demanding environments such as hospitals, schools, factories etc. Multisilver is one of our most vandal resistant, functional and economical products which can be used for so many years with confidence.



WC Cabins

Orion X-Line

The X-Line series makes the panels seem uniform in front and rear connection details thanks to the groove process applied to the vertical bay edges of doors and front panels. In this series where we combine economy and aesthetics, the solid laminate property of the compact laminate must be remembered and it must be used in places with lower traffic.



WC Cabins

Orion Profline

The Orion Profline series is a series designed for places where visibility and endurance are given prominence and it displays its different style with vertical profiles mounted on door stiles. Apart from ease of production and assembly, the Profline series also provides convenience for users. The Profline series is a series that draws attention with economical prices as well as its reliable and aesthetic structure in all places.



WC Cabins

Diamond

Diamond Series differs from our other line of products by its special lock system. This series also embraces all sorts of elements that might be required. With its enduring and aesthetic structure Diamond series are one of our top selling products.



WC Cabins

Normline

The Normline series has been used in European countries or many years. It is produced for places where aesthetic view is attached importance and its ABS Plastic accessory options are preferred in places that need hygiene. It is deformed sooner than aluminium and stainless steel accessories.



WC Cabins

Steelline Eco

Steelline Eco series WC cabins are made from accessories of 304 quality stainless steel that is the best stainless metal in the world. It is processed with reliable stainless steel; efforts are made to give prominence to visuality and aesthetics by shaping the rigid stainless steel in the best forms necessary.

All accessories of the Eco series are stainless steel and the fixing profiles are covered with eloxal that appears stainless over aluminium.



WC Cabins

Steelline Lux

As it is clear from its name, all fixing elements of the Steelline LUX series WC cabins are stainless steel and with different upper panel specs, this product has aesthetic and expensive details compared to other products. With the trust provided by stainless steel, the aesthetics in product details and different vision, it addresses users that value their venues.

All fixing elements of Steelline eco series are stainless steel of 304 quality.



Glass Panels



Urinal Screens



- P 01
38 * 122
+ Leg
- P 02
38 * 122
+ Leg
- P 03
75 * 180
+ Leg
- P 04
38 * 122
+ Leg
- P 05
38 * 075

COMPACT LOCKERS

Compact Lockers



The old and rusty steel lockers from the past has stepped aside and left their place to the much modern and more useful compact laminate lockers.

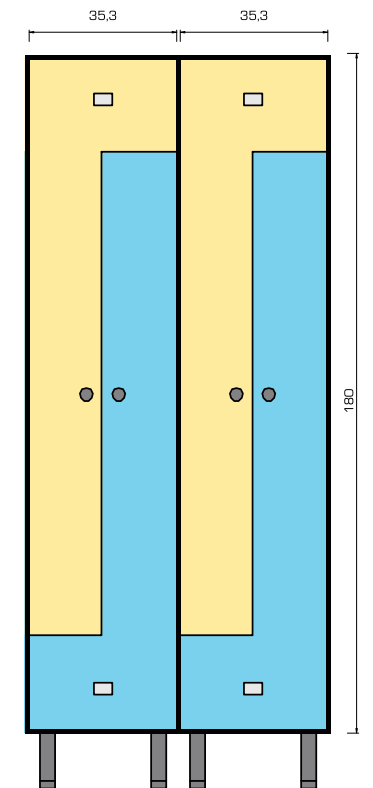
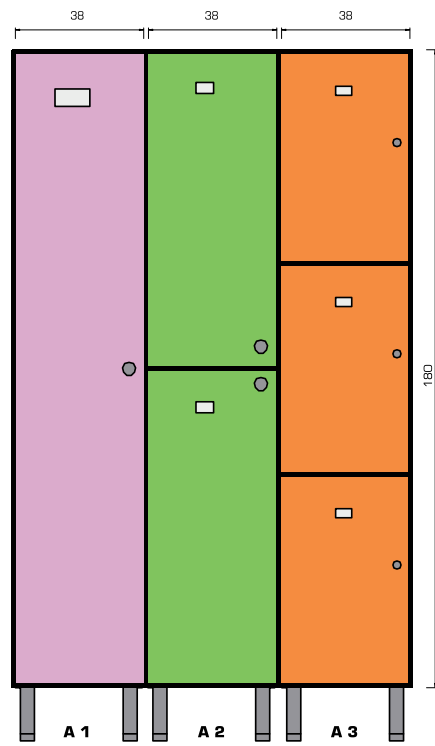
Compact laminate lockers meet the EU compatibility standarts. Moreover, they are both antibacterial and fire resistant, therefore they provide an ease of use along with a pleasant view.

Compact laminate lockers can be manufactured in various shapes and sizes in accordance with their usage. The lockers can also be manufactured separately as body and cover. Thus it is possible to reduce the production cost by manufacturing the body with 18mm MDF Lam.

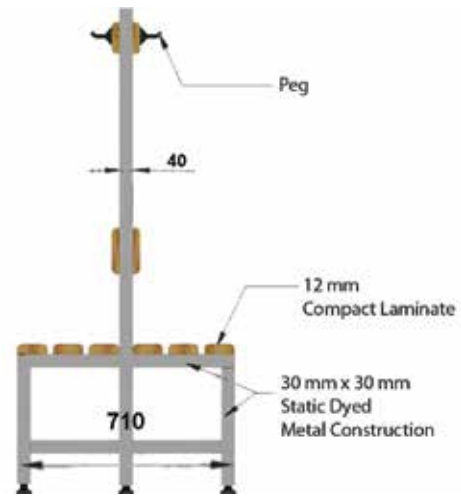


Compact Lockers

Compact Lockers



Compact Seating



Custom Solutions



SANDER®

TABLES AND COUNTERS

Compact Laminate Tables



Washbasin Counters



Proftype:

A type of counter produced by using profiles in corner turns.



Formtype:

A type of counter whose corner rotations are already monolithic.



Acrylic Counters

Acrylic is a superior compound of natural minerals and acrylic developed as a solid surface material for residences and commercial venues. Its compound contains 1/3 acrylic resin (PMMA) and 2/3 aluminum-trihydrate pigments. Acrylic provides design elasticity, functionality and endurance. Acrylic panels offered as plates, kitchensinks and washbasins can be shaped with wood processing tools to suit almost every design.





42 Dr.Leonte street, sector 5, Bucharest, RO
T/F: +40 21 367 03 16 E: info@wallrite.ro
www.wallrite.ro