



Technical Information

Reach Stackers

CVS FERRARI

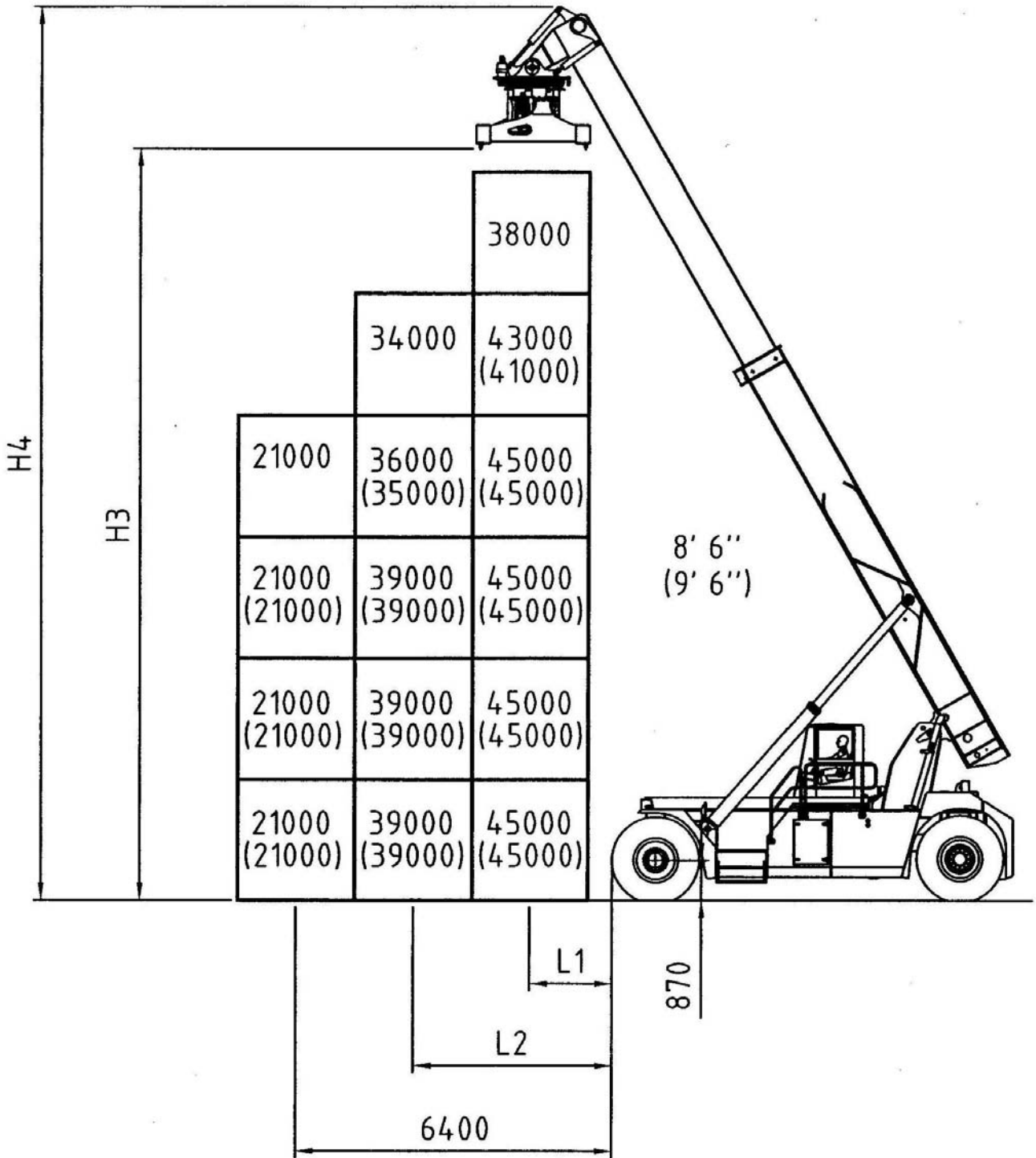
F 479

SPECIFICATION	01 Manufacturer				CVS FERRARI	CVS FERRARI
	02 Model				F 479	F 479 PB
	03 Lifting capacity	First Row/Second Row		Kg.	45000/39000	45000/34000
	03 Lifting capacity	under spreader + Piggy Back		Kg.	45000	45000
	04 Load Center	First Row/Second Row	L1/L2	mm.	1780/3850	1780/3850
	05 Power unit				Diesel engine	Diesel engine
	06 Steering				Steering wheel in the cab	Steering wheel in the cab
	07 Tyre type	Front / Rear			Pneumatic	Pneumatic
08 Wheels	Number at Front/Rear (*=driven)			4*/2	4* / 2	
DIMENSIONS	09 Lifting Height	Under Spreader - First Row	H3	mm.	16060	15730
	10 Width of Spreader	20 Ft.		mm.	6052	6052
		40 Ft.		mm.	12148	12148
	11 Side Tilting			Deg.	± 3 mechanical	± 4 hydraulical
	12 Rotation	Hydraulical		Deg.	-95+185	-95 + 185
	13 Side shifter	Max		mm.	± 800	± 800
	14 Boom Angle	Min / Max		Deg.	0 / 59	0 / 59
	15 Overall dimensions	Length without boom		mm.	8560	8560
		Length with spreader	L	mm	11990	12015
	16	Width	B	mm.	4184	4184
	17	Boom height, Min.	H1	mm.	4910	4910
	18	Boom height, Max	H4	mm.	19130	19200
	19	Height - Top of Cab	H5	mm.	3884	3884
20	Seat height	H	mm.	2780	2780	
21 Turning radius	Inner/Outer	R2/R1	mm.	980 / 8390	980 / 8390	
22 Aisle for 90° stacking	Incl. 200 mm. safety margin 20' 40'		mm.	9810 / 12710	9810 / 12710	
PERFORMANCE	Stability (static)			EN 1459	EN 1459	
	23 Speeds	Travelling F. & R. Laden/Unladen		km/h	21,3 / 24,6	21,3 / 24,6
	24	Lifting : max / zero load (with booster*)	m/s	M/s	0,25 / 0,34 (0,42)	0,25 / 0,34 (0,42)
	25	Lowering Laden/Unladen		M/s	0,27 / 0,34	0,27 / 0,34
	26 Drawbar pull	Max - Laden		kN	302,89	302,89
	27 Gradeability	Max at 0 km /h - Laden		%	22	22
WEIGHTS	28 Gross vehicle weight			Kg.	78800	84900
	29 Axle load - Front	Unladen		Kg.	35900	44500
		Laden		Kg.	99700	108300
	30 Axle load - Rear	Unladen		Kg.	42900	40400
		Laden		Kg.	24100	21500
TYRES BRAKES CHASSIS	31 Tyres	Number - Front/rear			4/2	4/2
	32	Size - Front			18.00-33	18.00-33
	33	Size - Rear			18.00-33	18.00-33
	34 Wheelbase		L3	mm.	6500	6500
	35 Track Front	Between centres - driven wheels		mm.	3033	3033
	36 Track Rear	Between centres - steering wheels		mm.	2820	2820
	37 Ground clearance	Mid-way along the wheelbase		mm.	420	420
	38 Foot brake system	Type/brake wheels			Wet disc brake / Driven Wheel	
	39 Parking brake	Type/brake wheels			Spring brakes / Driven wheel	
STEERING SYSTEM	Type			Hydrostatic		
DRIVING SYSTEM	40 Engine	Manufacturer - Type			SCANIA DC1258**	
	41	Rating - DIN 6271		kW/(hp)	257	257
	42	Rated Speed		RPM	2100	2100
	43	Peak Torque - at engine speed		Nm/RPM	1544 / 1200	1544 / 1200
	44	Number Cylinders - swept volume		cm3	6 / 11700	6 / 11700
	45	Compression Ratio			18:1	18:1
	46	Fuel Consumption (Average)		l/h	12 - 15	12 - 15
	47 Alternator	Type - Rating		A	130 A (2 X 65 A)	130 A (2 X 65 A)
	48 Starting Batteries	Voltage - Capacity		V/Ah	2x12 V -200 Ah	2x12 V -200 Ah
	49 Drive Axle	Type			With double reduction	
	50 Gear Box	Type-number of gears forwar/rev.			Clark - 4/4	Clark - 4/4
	51 Clutch	Clutch type			Torque converter	
		52 Hydraulic pressure	For attachments		Bar	140
53 Sound Level		Inside Cabine - According to			EN 12053	EN 12053

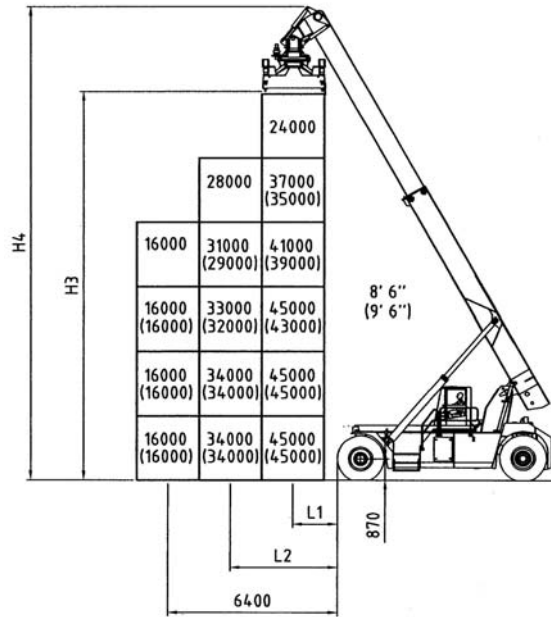
* Booster option

** Optional engines: CUMMINS QSM11 (250 kW)

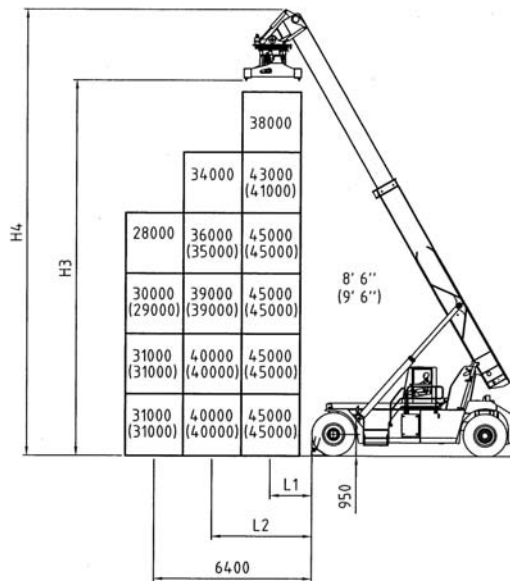
Ferrari mod. F 479



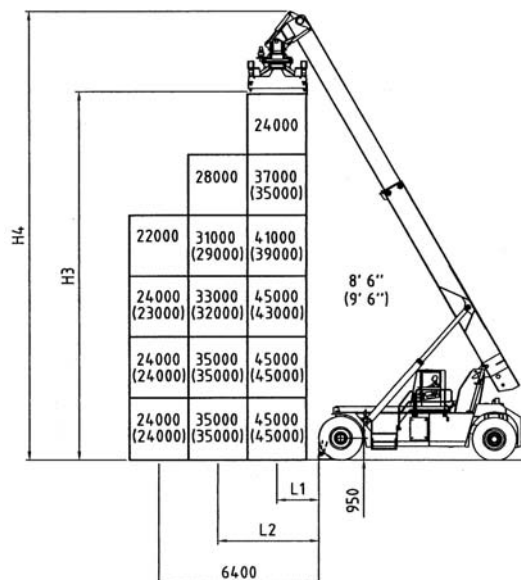
Ferrari mod. F 479PB (with Piggy Back)

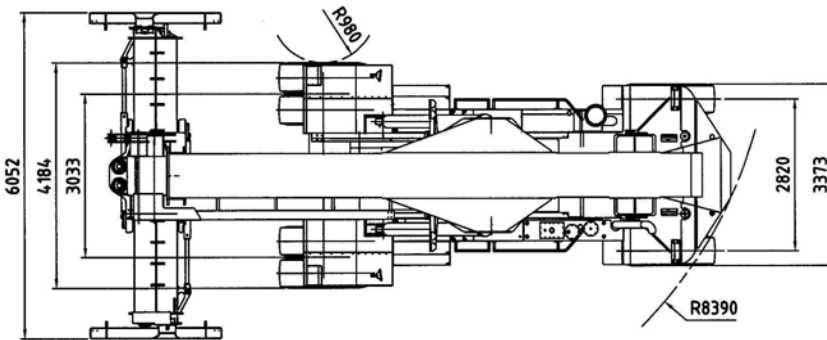
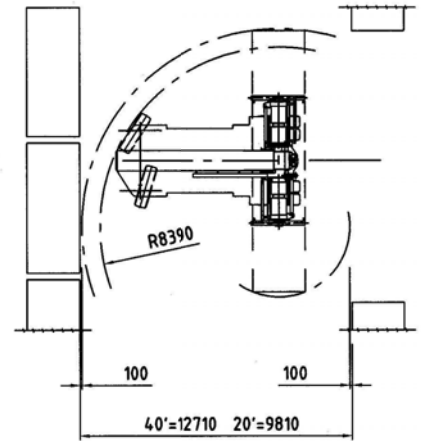
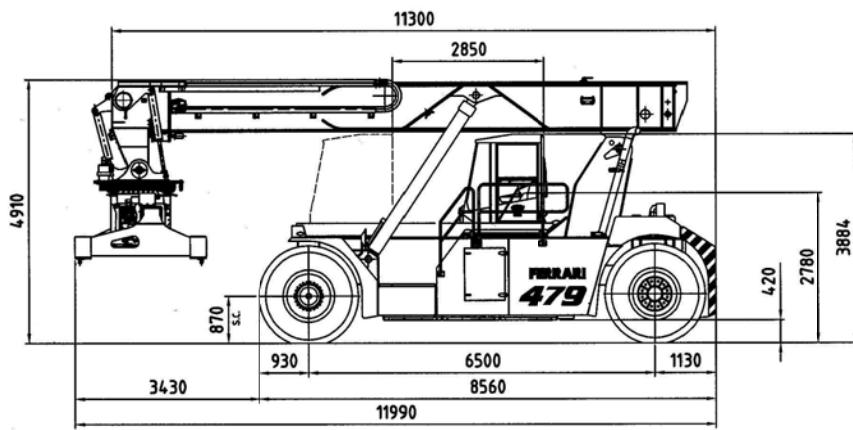


Ferrari mod. F 479 S (with stabilizers down)



Ferrari mod. F 479 PBS (with Piggy Back and stabilizers down)





CHASSIS

All welded box type. Torsion resistant structure. Low center of gravity.

ENGINE

SCANIA DC12.
Euromot step 3. Best performances and lowest fuel consumption. Low polluting level.

TRANSMISSION

CLARK TE 32 - Integrated torque converter and power shift - 4 Speeds forward and 4 speeds reverse.

FRONT AXLE

Extra wide front axle for maximum stability. Hub reduction. Wet disc brake. Oil cooling. Extra heavy duty type.

REAR AXLE

Articulating axle with double acting single cylinder. Rubber shock absorbers. Full hydrostatic steering system (Orbitrol) with priority valve.

HYDRAULIC SYSTEM

Variable displacement pumps. Load sensing proportional distributor controlling telescoping and lifting. Anti-saturation LUDV system. Electrical multifunctional joystick. Oil cooling system.

ELECTRICAL SYSTEM

Modular system with diagnostic capability. Reliable and easy to service. 24V. - Two 12V. batteries of low maintenance type. Electric/electronic control of the machine based on CAN BUS technology.

BOOM

High torsion - High quality steel. One basic outer section and one inner telescopic section.

SPREADER:

Highest strength steel. Compact and precise. Telescoping from 20' to 40'. All functions controlled from cab. Side mechanical tilting. Damping cylinders. Safety sensors on four corners.

The illustrations and data contained in this brochure are not binding. The manufacturer reserves the right to make changes for any reason while not altering the primary specifications



CVS FERRARI S.r.l. - Via Emilia - 29010 Roveleto di Cadeo (PC) ITALY
Tel. ++39.0523.503511 - Fax ++39.0523.500439
E-mail: info.mktg@cvsferrari.com

Distributed & Serviced by: