

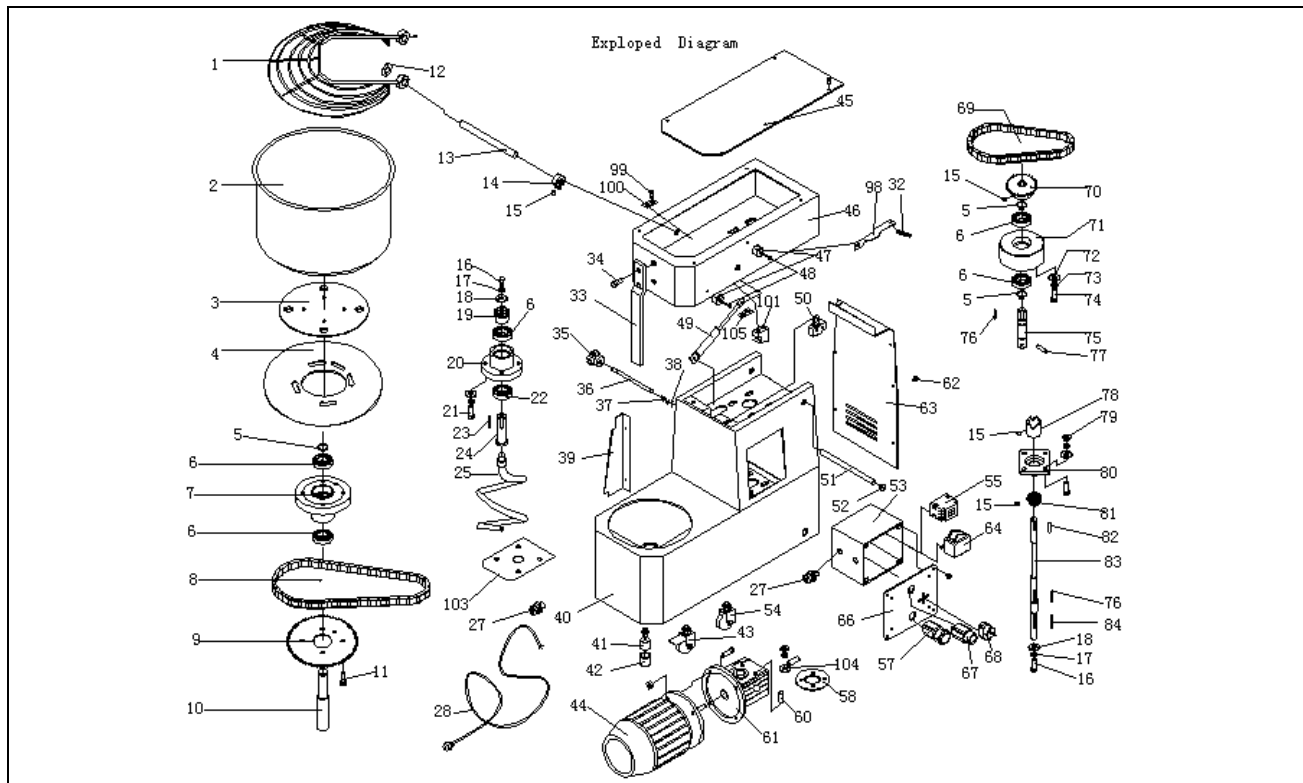
Explosionszeichnungen

Teigmaschinen



1. achine illustration diagram & Part list

1.1 930002T/M 930004/5T illustration diagram & Part list

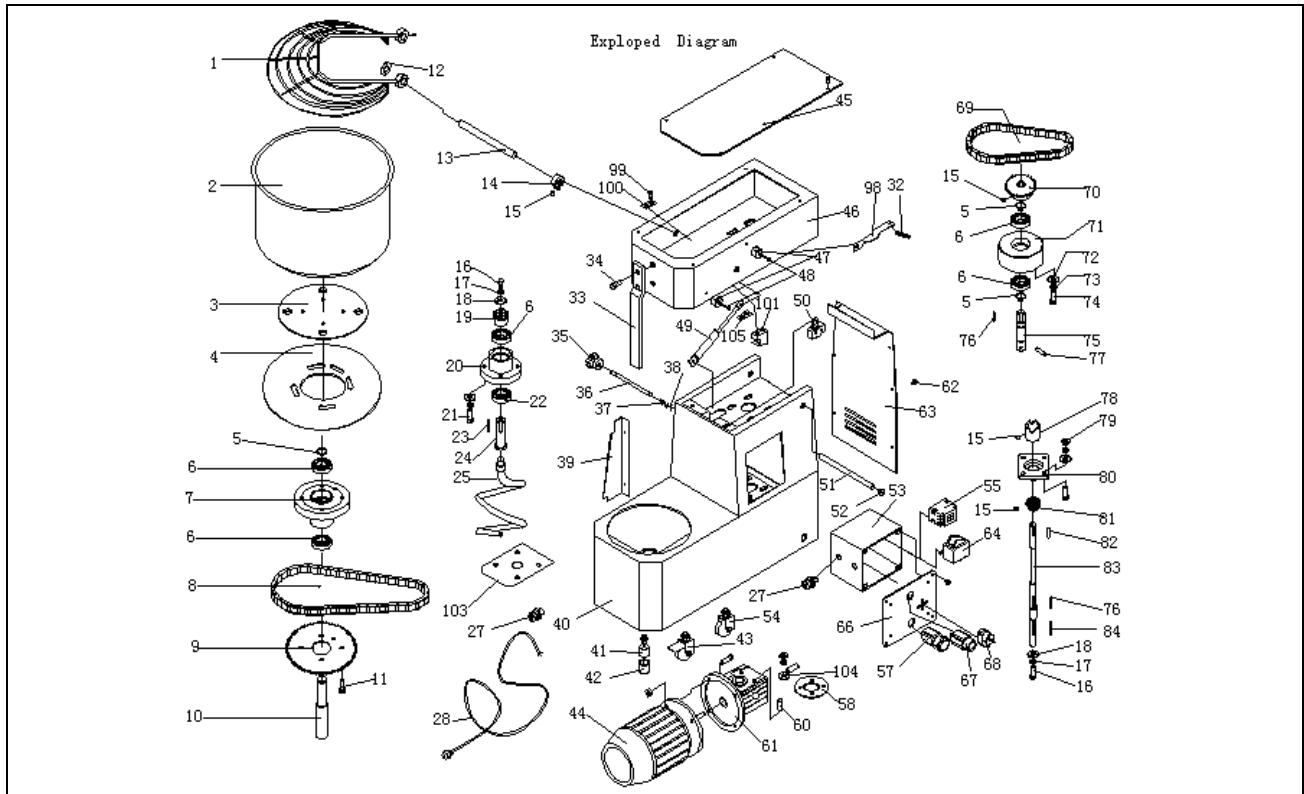


Item	Description	Qty	930002M	930002T	Beschreibung
1	Safety guard	1	22-224	22-224	Schutzgitter
2	Bowl	1	22-006	22-006	Becken
3	Bowl Flange	1	22-022	22-022	Beckentellert
4	Locking Flange	1	22-008	22-008	Beckenfixierteller
5	Transit ring	3	22-053	22-053	Antriebsring
6	Bearing 6205	5	22-055	22-055	Kugellager
7	Bearing support	1	22-019	22-019	Kugellager-Support
8	Chain 126	1	22-041	22-041	Kette
9	Chain wheel 72	1	22-042	22-042	Kettenantrieb
10	Support axle	1	22-015	22-015	Achse
11	Screw	4	22-062	22-062	Schraube
12	Guard ring	2	22-035	22-035	Schutzring
13	Guard axle	1	22-225	22-225	Längsachse f.Schutzgitter
14	Off-set ring	1	22-173	22-173	Fixierschraube
15	Screw	12	22-073	22-073	Schraube
16	Screw	4	22-064	22-064	Schraube
17	Spring washer	15	22-090	22-090	Sprungfeder
18	Washer	15	22-084	22-084	Feder

19	Chain wheel 15	1	22-043	22-043	Kettenrad
20	Spiral support	1	22-020	22-020	Knethakenantrieb
21	Screw	4	22-063	22-063	Schraube
22	Bearing 6205	1	22-055	22-055	Kugellager
23	Key	1	22-059	22-059	Splint
24	Mixing Axle	1	22-018	22-018	Zentrierachse
25	Spiral	1	22-004	22-004	Spirale
27	Cable fixer	1	22-110	22-110	Zugentlastung
28	Cable	1	22-086	22-125	Kabel
29	Screw	4	22-077	22-077	Schraube
32	Spring	1	22-052	22-052	Splint
33	Divider	1	22-003	22-003	Teigbrecher
34	Screw	2	22-061	22-061	Schraube
35	Locker	1	22-048	22-048	Feststellschraube
36	Lock axle	1	22-232	22-232	Stift f.Feststellschraube
37	lock spring	1	22-049	22-049	Sperre
38	key	1	22-050	22-050	Schloss
39	Side cover	1	22-229	22-229	Schutzblech
40	Structure	1	22-222	22-222	Gehäuse
41	foot	4	22-033	22-033	Fuss
42	Rubber shoe	4	22-034	22-034	Gummi f. Füße
43	Wheel with stopper	2	22-031	22-031	Stopper f. Räder
44	Motor	1	22-152	22-046	Motor
45	Top cover	1	22-230	22-230	Deckel oben
46	Head	1	22-223	22-223	Kopfseite
47	Nylon ring	2	22-029	22-029	Nylonstopper
48	Screw	4	22-070	22-070	Schraube
49	Air spring	1	22-051	22-051	Stossdämpfer
50	Micro switch	1	22-079	22-079	Microschalter
51	Head axle	1	22-271	22-271	Scharnier
52	Nylon cover	2	22-030	22-030	Nylonabdeckung
53	Electrical box	1	22-233	22-233	Elektrokasten
54	Wheel	2	22-032	22-032	Rad
55	Contactactor	1	22-155	22-155	Klemmleiste
57	Emergency stop	1	22-099	22-099	Notschalter
58	Transit ring	1	22-093	22-093	Antriebsrad
60	Screw	8	22-072	22-072	Schraube
61	Gear box	1	22-074	22-074	Getriebe
62	Screw	14	22-068	22-068	Schraube
63	Back cover	1	22-231	22-231	Rückwandabdeckung
64	Transformer	1	22-154	22-107	Trafo
66	Electrical panel	1	22-228	22-228	Elektr. Paneel
67	Start Switch	1	22-100	22-100	Ein/Aus-Schalter
68	Timer	1	22-103	22-103	Zeitschaltuhr
69	Chain	1	22-056	22-056	Kette

70	Chain wheel 29	1	22-045	22-045	Kettenantriebsrad
71	Bearing Connector	1	22-021	22-021	Kugellagerantrieb
72	Washer	12	22-083	22-083	Feder
73	Spring washer	8	22-089	22-089	Sprungfeder
74	Screw	8	22-060	22-060	Schraube
75	Connector axle	1	22-017	22-017	Splint
76	Key	2	22-055	22-055	Stift
77	Connector key	1	22-024	22-024	
78	Engager	1	22-026	22-026	
79	Screw	4	22-076	22-076	Schraube
80	Round bearing support	1	22-054	22-054	Kugellagersupport
81	Wheel 14	1	22-044	22-044	Rad 14
82	Key	1	22-055	22-055	Splint
83	Transmission axles	1	22-016	22-016	Anriebsachse
84	Key	1	22-057	22-057	Splint
98	Lever	1	22-172	22-172	Halterung
99	Screw	10	22-180	22-180	Schraube
100	Hook divider	1	22-185	22-185	Mikroschalter
101	Locking hook	1	22-161	22-161	Klotzsperr
103	Water shield	1	22-187	22-187	Schutzplatte
104	Adjusting screw	2	22-192	22-192	Justierschraube
105	Hook washer		22-193	22-193	Stossdämpfer

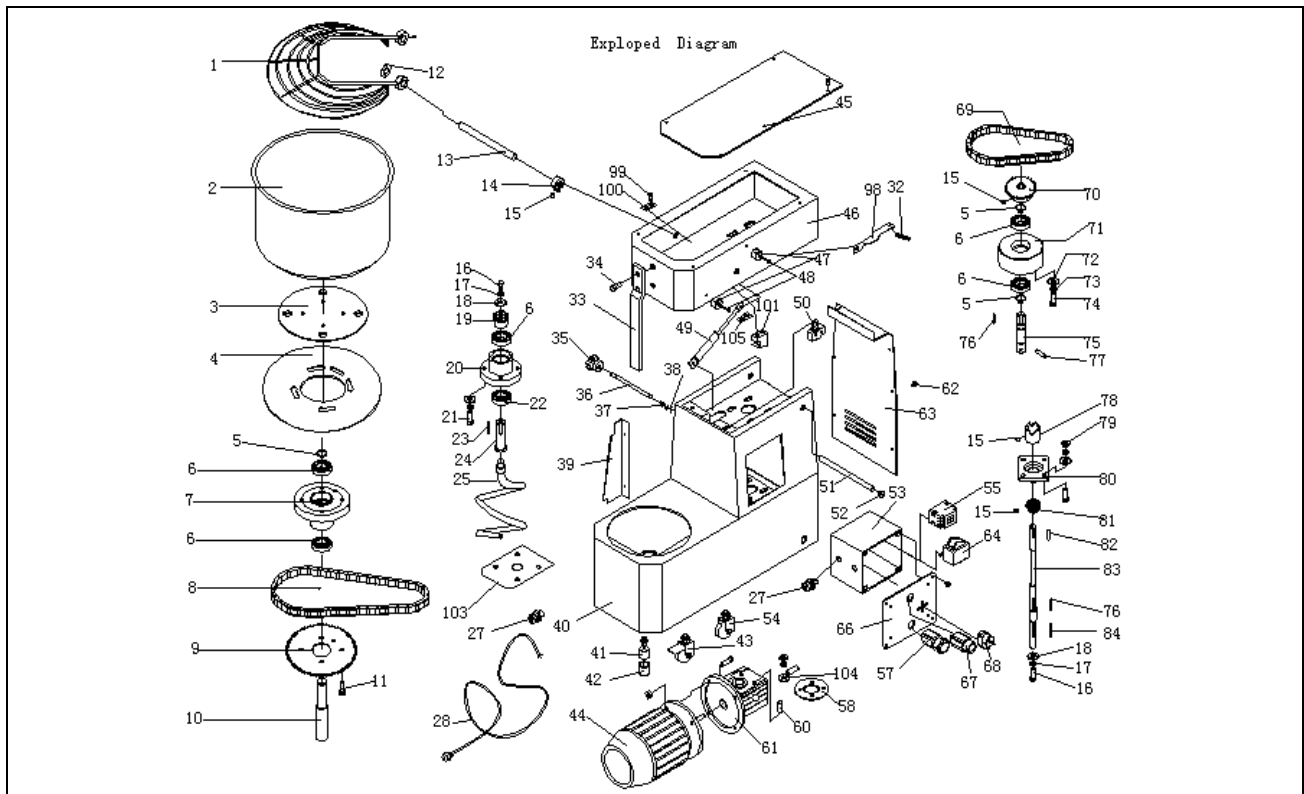
1.1 930002T/M 930004/5T illustration diagram & Part list



Item	Description	Qty	930004T	
1	Safety guard	1	33-079	Schutzgitter
2	Bowl	1	33-081	Becken
3	Bowl Flange	1	22-022	Beckenteller
4	Locking Flange	1	42-005	Beckenfixierteller
5	Transit ring	3	22-053	Antriebsring
6	Bearing 6205	5	22-055	Kugellager
7	Bearing support	1	22-019	Kugellagersupport
8	Chain 126	1	22-041	Kette
9	Chain wheel 72	1	22-042	Kettenantriebsrad
10	Support axle	1	22-015	Achse
11	Screw	4	22-062	Schraube
12	Guard ring	2	22-035	Schutzring
13	Guard axle	1	22-225	Längsachse für Schutzgitter
14	Off-set ring	1	22-173	Fixierschraube
15	Screw	12	22-073	Schraube
16	Screw	4	22-064	Schraube
17	Spring washer	15	22-090	Sprungfeder
18	Washer	15	22-084	Feder
19	Chain wheel 15	1	22-043	Kettenrad
20	Spiral support	1	22-020	Knehtakenantrieb
21	Screw	4	22-063	Schraube

22	Bearing 6205	1	22-055	Kugellager
23	Key	1	22-059	Splint
24	Mixing Axle	1	22-018	Zentrierachse
25	Spiral	1	22-004	Spirale
27	Cable fixer	1	22-110	Zugentlastung
28	Cable	1	22-125	Kabel
29	Screw	4	22-077	Schraube
32	Spring	1	22-052	Splint
33	Divider	1	22-003	Teigbrecher
34	Screw	2	22-061	Schraube
35	Locker	1	22-048	Feststellschraube
36	Lock axle	1	22-232	Stift für Feststellschraube
37	lock spring	1	22-049	Sprung Feder
38	Key	1	22-050	Schloss
39	Side cover	1	22-272	Schutzblech
40	Structure	1	33-078	Gehäuse
41	Foot	4	22-033	Fuß
42	Rubber shoe	4	22-034	Gummi f. Füße
43	Wheel with stopper	2	22-031	Räder m. Stopper
44	Motor	1	22-046	Motor
46	Head	1	22-223	Kopfseite
47	Nylon ring	2	22-029	Nylonring
48	Screw	4	22-070	Schraube
49	Air spring	1	22-051	Stossdämpfer
50	Micro switch	1	22-079	Mikroschalter
51	Head axle	1	22-271	Scharnier
52	Nylon cover	2	22-030	Nylonabdeckung
53	Electrical box	1	22-233	Elektrikkasten
54	Wheel	2	22-032	Rad
55	Contactora	1	22-155	Klemmleiste
57	Emergency stop	1	22-099	Notschalter
58	Transit ring	1	22-093	Antriebsrad
60	Screw	8	22-072	Schraube
61	Gear box	1	22-074	Getriebe
62	Screw	14	22-068	Schraube
63	Back cover	1	22-231	Rückwandabdeckung
64	Transformer	1	22-107	Trafo
66	Electrical panel	1	22-228	Elektr. Paneel
67	Start Switch	1	22-100	Ein/Aus-Schalter
68	Timer	1	22-103	Zeitschaltuhr
69	Chain	1	22-056	Kette
70	Chain wheel 29	1	22-045	Kettenantriebsrad

71	Bearing Connector	1	22-021	Kugellagerantrieb
72	Washer	12	22-083	Feder
73	Spring washer	8	22-089	Sprungfeder
74	Screw	8	22-060	Schraube
75	Connector axle	1	22-017	
76	Key	2	22-055	Splint
77	Connector key	1	22-024	Stife
78	Engager	1	22-026	
79	Screw	4	22-076	Schraube
80	Round bearing support	1	22-054	Lagerplatte
81	Wheel 14	1	22-044	Rad
82	Key	1	22-055	Splint
83	Transmission axles	1	22-016	Antriebsachse
84	Key	1	22-057	Splint
98	Lever	1	22-172	
99	Screw	10	22-180	Schraube
100	Hook divider	1	22-185	Mikroschalter
101	Locking hook	1	22-161	Klotzsperr
103	Water shield	1	22-187	Schutzplatte
104	Adjusting screw	2	22-192	Justierschraube
105	Hook washer		22-193	Stosdämpfer

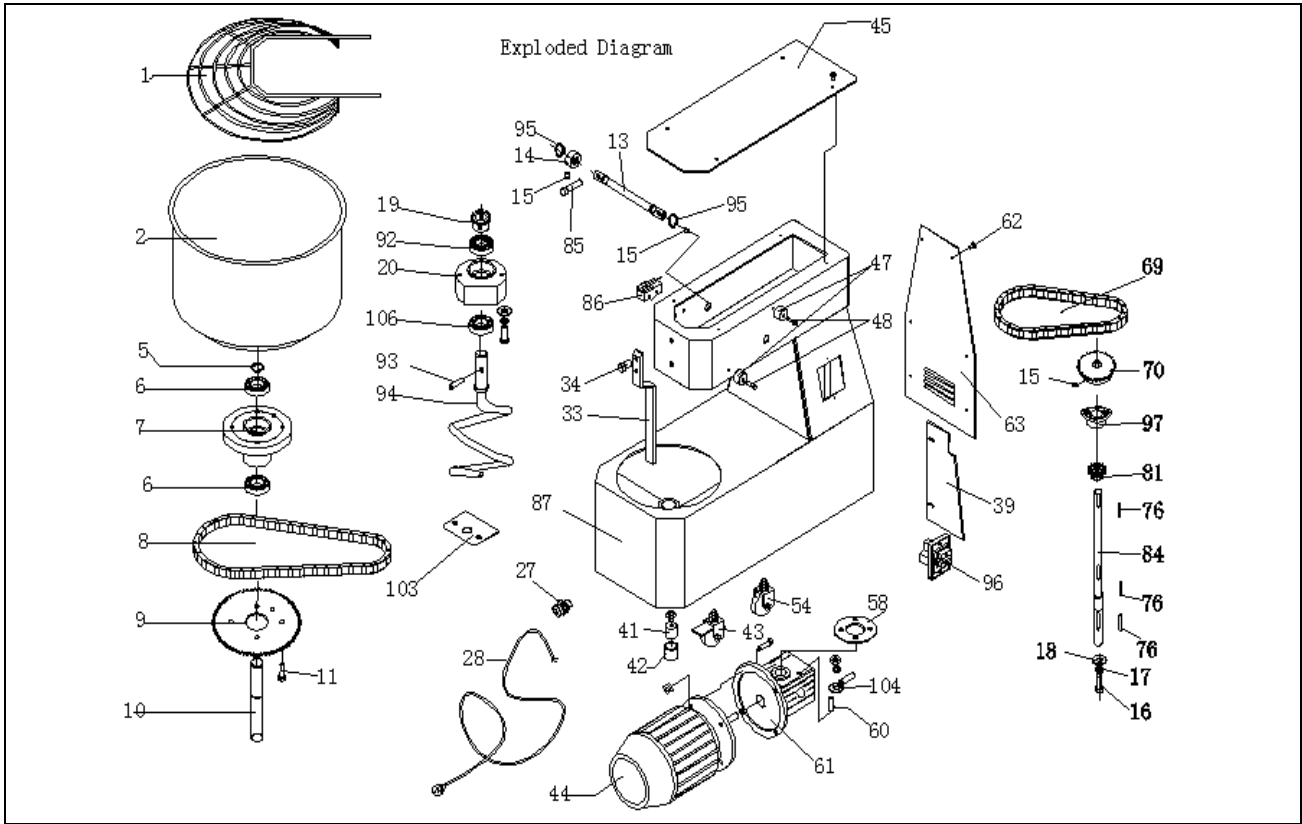


Item	Description	Qty	93005T	Beschreibung
1	Safety guard	1	42-012	Schutzgitter
2	Bowl	1	42-002	Becken
3	Bowl Flange	1	22-022	Beckenteller
4	Locking Flange	1	42-005	Beckenfixierteller
5	Transit Ring	3	22-053	Antriebsring
6	Bearing 6205	5	22-055	Kugellager
7	Bearing support	1	22-019	Kugellagersupport
8	Chain144	1	33-027	Kette
9	Chain wheel 85	1	33-029	Kettenantriebsrad
10	Support axle	1	22-015	Achse
11	Screw	4	22-062	Schraube
12	Guardring	2	22-035	Schutzring
13	Guard axle	1	42-013	Längsachse für Schutzgitter
14	Off-set ring	1	22-173	Fixierschraube
15	Screw	12	22-073	Schraube
16	Screw	4	22-064	Schraube
17	Spring washer	15	22-090	Sprungfeder
18	Washer	15	22-084	Feder
19	Chain wheel 15	1	33-031	Kettenrad
20	Spiral support	1	33-018	Knethakenantrieb
21	Screw	4	22-063	Schraube
22	Bearing 6006	1	33-036	Kugellager
23	Key	1	33-038	Splint

24	Mixing Axle	1	33-017	Zentrierachse
25	Spiral	1	33-004	Spirale
27	Cable fixer	1	22-110	Zugentlastung
28	Cable	1	22-125	Kabel
32	Spring	1	22-052	Splint
33	Divider	1	42-001	Teigbrecher
34	Screw	2	22-061	Schraube
35	Locker	1	22-048	Feststellschraube
36	Lock axle	1	42-014	Stift f.Feststellschr
37	lock spring	1	22-049	Sperre
38	Key	1	22-050	Schloss
39	Side cover	1	33-115	Schutzblech
40	Structure	1	42-010	Gehäuse
41	Foot	4	33-024	Fuss
42	Rubber shoe	4	22-034	Gummi f. Füße
43	Wheel with stopper	2	33-022	Räder mit Stopper
44	Motor	1	33-033	Motor
45	Top cover	1	42-015	Deckel oben
46	Head	1	42-011	Kopfseite
47	Nylon ring	3	22-029	Stopper
48	Screw	4	22-070	Schraube
49	Air spring	1	22-051	Stossdämpfer
50	Micro switch	1	22-079	Mikroschalter
51	Head axle	1	22-271	Scharnier
52	Nylon cover	2	33-115	Nylonabdeckung
53	Electrical box	1	22-096	Elektrokasten
54	Wheel	2	33-023	Rad
55	Contractor	1	22-155	Klemmleiste
57	Emergency stop	1	22-099	Notschalter
58	Transitring	1	33-042	Antriebsrad
60	Screw	8	22-072	Schraube
61	Gear box	1	33-034	Getriebe
62	Screw	14	22-068	Schraube
63	Back cover	1	42-016	Rückwandabdeckung
64	Transformer	1	22-107	Trafo
66	Electrical panel	1	22-097	Elektr. Paneel
67	Start Switch	1	22-100	Ein/Aus-Schalter
69	Chain	1	42-007	Kette
70	Chain wheel 29	1	33-032	Kettenantriebsrad
71	Bearing Connector	1	33-019	Kugellagerantrieb
72	Washer	12	22-083	Feder
73	Spring washer	8	22-089	Sprungfeder
74	Screw	8	22-060	Schraube

75	Connector axle	1	33-016	Verbindungsachse
76	Key	2	22-055	Splint
77	Connector key	1	22-024	Stift
78	Engager	1	33-020	Obere Spiralkrone
79	Screw	4	22-076	Schraube
80	Round bearing support	1	33-035	Lagerplatte
81	Wheel 16	1	33-030	Rad
82	Key	1	33-039	Splint
83	Transmission axles	1	33-015	Antriebsachse
84	Key	1	22-057	Splint
98	Lever	1	22-172	Halterung
99	Screw	10	22-181	Schraube
100	Hook divider	1	22-185	Kontaktschalter
101	Locking hook	1	22-161	Klotzsperr
103	Water shield	1	33-062	Schutzplatte
104	Adjusting screw	1	22-192	Justierschraube
105	Hook washer	1	22-193	Stossdämpfer

1.2 930001M/T illustration diagram & Part list

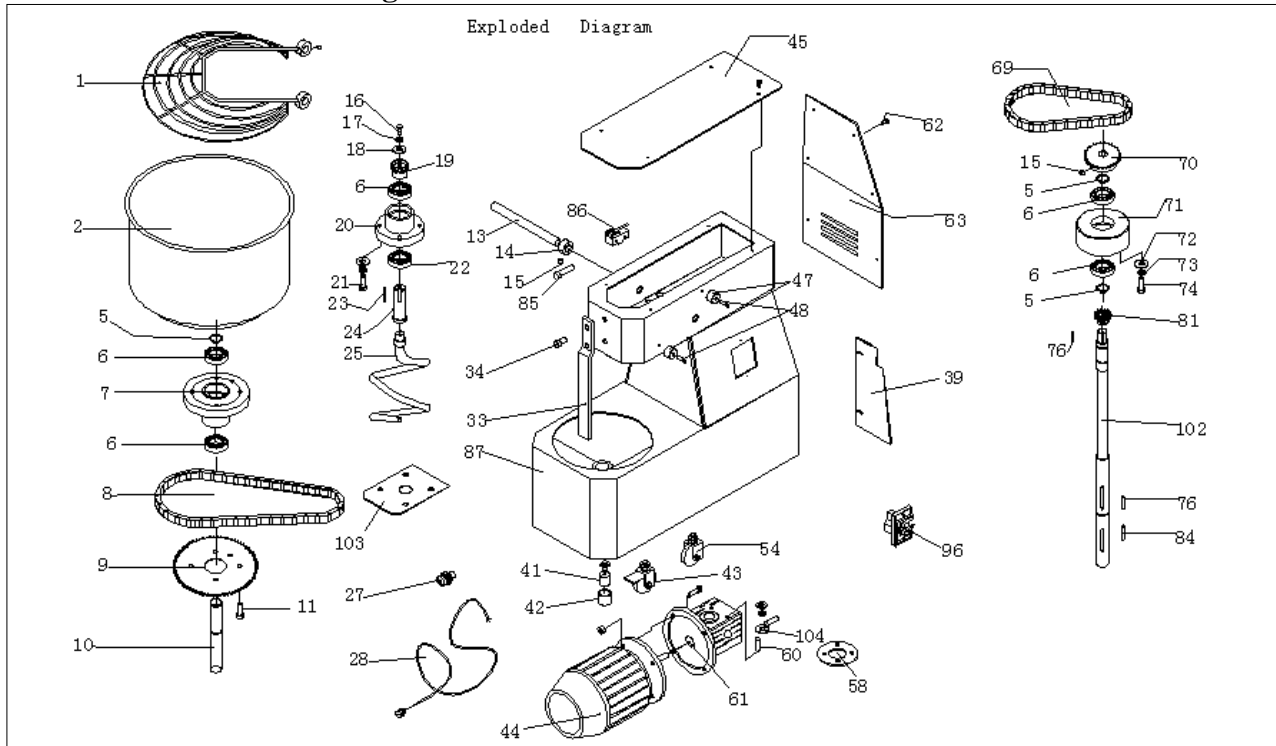


930001M/T Part List

Item	Description	Qty	Part no.		Beschreibung
			930001T	930001M	
1	Safety guard	1	10-091	10-091	Schutzgitter
2	Bowl	1	22-006	22-006	Becken
5	Transit ring	2	10-023	10-023	Antriebsring
6	Bearing 6204	2	10-025	10-025	Kugellager
7	Bearing support	1	10-012	10-012	Kugellager-Sup.
8	Chain 102	1	10-017	10-017	Kette
9	Chain wheel 50	1	10-016	10-016	Kettenantriebsrad
10	support axle	1	10-009	10-009	Achse
11	screw	4	22-064	22-064	Schraube
13	Guard axle	1	10-010	10-010	Längsachse für Schutzgitter
14	ring	1	22-145	22-145	Ring
15	Screw	2	10-037	10-037	Schraube
16	screw	6	22-063	22-063	Schraube
17	Spring washer	10	22-090	22-090	Sprungfeder
18	Washer	12	22-085	22-085	Feder
19	Chain wheel 11	1	10-019	10-019	Kettenrad

20	spring support	1	10-013	10-013	Spiralsupport
27	Cable fixer	1	22-110	22-110	Zugentlastung
28	Cable	1	22-125	10-028	Kabel
Item	Description	Qty	Part no.		Beschreibung
			930001T	930001M	
33	Divider	1	10-092	10-092	Teigbrecher
34	screw	2	10-035	10-035	Schraube
39	side cover	1	10-093	10-093	Schutzblech
41	Foot	4	22-033	22-033	Fuß
42	rubber shoe	4	22-034	22-034	Gummi f. Füße
43	Wheel with stopper	2	22-031	22-031	Räder mit Stopper
44	Motor	1	10-101	10-020	Motor
45	Top cover	1	10-004	10-004	Deckel oben
47	Nylon ring	2	22-029	22-029	Nylon f. Stopper
48	screw	4	22-070	22-070	Schraube
54	Wheel	2	22-032	22-032	Rad
58	Transit ring	1	10-022	10-022	Antriebsrad
60	screw	4	10-034	10-034	Schraube
61	Gear box	1	10-021	10-021	Getriebe
62	screw	12	22-068	22-068	Schraube
63	Back cover	1	10-002	10-002	Rückwandabdeck.
69	Chain	1	10-094	10-094	Kette
70	Chain wheel 29	1	22-045	22-045	Kettenantriebsrad
76	Key	3	22-056	22-056	Splint
81	Chain wheel 14	1	22-044	22-044	Kettenantriebsrad
84	Transmission axles	1	10-011	10-011	Antriebsachse
85	screw	1	10-031	10-031	Schraube
86	Micro switch	1	22-094	22-094	Mikroschalter
87	Structure	1	10-095	10-095	Gehäuse
92	Bearing 6202	1	10-026	10-026	Kugellager
93	Connector axle	1	10-015	10-015	Verbindung Spirale
94	Spiral	1	10-008	10-008	Spirale
95	Transit ring	2	10-024	10-024	Antriebsring
96	Control switch	1	10-096	10-029	Kontrollschalter
97	Round bearing support	1	10-014	10-014	Kugellagersupp.
103	Water shield	1	10-097	10-097	Schutzplatte
104	Adjusting screw	2	10-042	10-042	Justierschraube
106	Bearing 6202	1	10-026	10-026	Kugellager

1.3 930003T illustration diagram & Part list



930003T Part List

Item	Description Beschreibung	Qty	930003T
1	Safety guard Schutzgitter	1	33-087
2	Bowl Becken	1	33-078
5	Transit ring Antriebsring	2	22-053
6	Bearing 6205 Kugellager	5	22-055
7	Bearing support Kugellager Supp.	1	22-019
8	Chain126 Kette	1	22-041
9	Chain wheel 72 Kettenantriebsrad	1	22-042
10	Support axle Achse	1	22-015
11	Screw Schraube	4	22-147
13	Guard axle Längsachse für Schutzgitter	1	22-012

Item	Description Beschreibung	Qty	930003T
42	Rubber shoe Gummi f. Füße	4	22-034
43	wheel with stopper Räder mit Stopper	2	22-031
44	Motor Motor	1	22-046
45	Top cover Deckel oben	1	22-009
47	Nylon ring Nylon f. Stopper	1	22-029
48	Screw Schraube	4	22-070
54	Wheel Rad	2	22-032
58	Transit ring Antriebsrad	1	22-093
60	Screw Schraube	4	22-072
61	Gear box Getriebe	1	22-047

14	Off-set ring Fixierschraube	1	22-145
15	Screw Schraube	7	22-073
16	Screw Schraube	2	22-064
17	Spring washer Sprungfeder	10	22-090
18	Washer Feder	5	22-085
19	Chain wheel 15 Kettenrad	2	22-043
20	Spiral support Knethakenantrieb	1	22-020
21	Screw Schraube	4	22-063
22	Bearing 6205 Kugellager	1	22-055
23	Key Splint	1	22-056
24	Mixing Axle Zentrierachse	1	22-010
Item	Description Beschreibung	Qty	930003T
25	Spiral Spirale	1	22-004
27	Cable fixer Zugentlastung		22-110
28	Cable Kabel	1	22-125
33	Divider Teigbrecher	1	22-003
34	Screw Schraube	2	22-064
39	Side cover Schutzblech	1	33-080
41	Foot Fuss	4	22-033

62	Screw Schraube	16	22-068
63	Back cover Rückwandabdeckung	1	22-010
69	Chain Kette	1	22-040
70	Chain wheel 29 Kettenantriebsrad	1	22-045
71	Bearing Connector Kugellagerantrieb	1	22-021
72	Washer Feder	4	22-083
73	Spring washer Sprungfeder	8	22-089
74	Screw Schraube	4	22-060
76	Key Splint	2	22-056
84	Key Splint	1	22-057
85	Screw Schraube	1	22-148
Item	Description Beschreibung	Qty	930003T
86	Micro switch Mikroschalter	1	22-094
87	Structure Gehäuse	1	33-079
96	Control switch Kontrollschalter	1	10-029
102	Transmission axles Antriebsachse	1	22-175
103	Water shield Schutzplatte	1	22-187
104	Adjusting screw Justierschraube	2	22-192