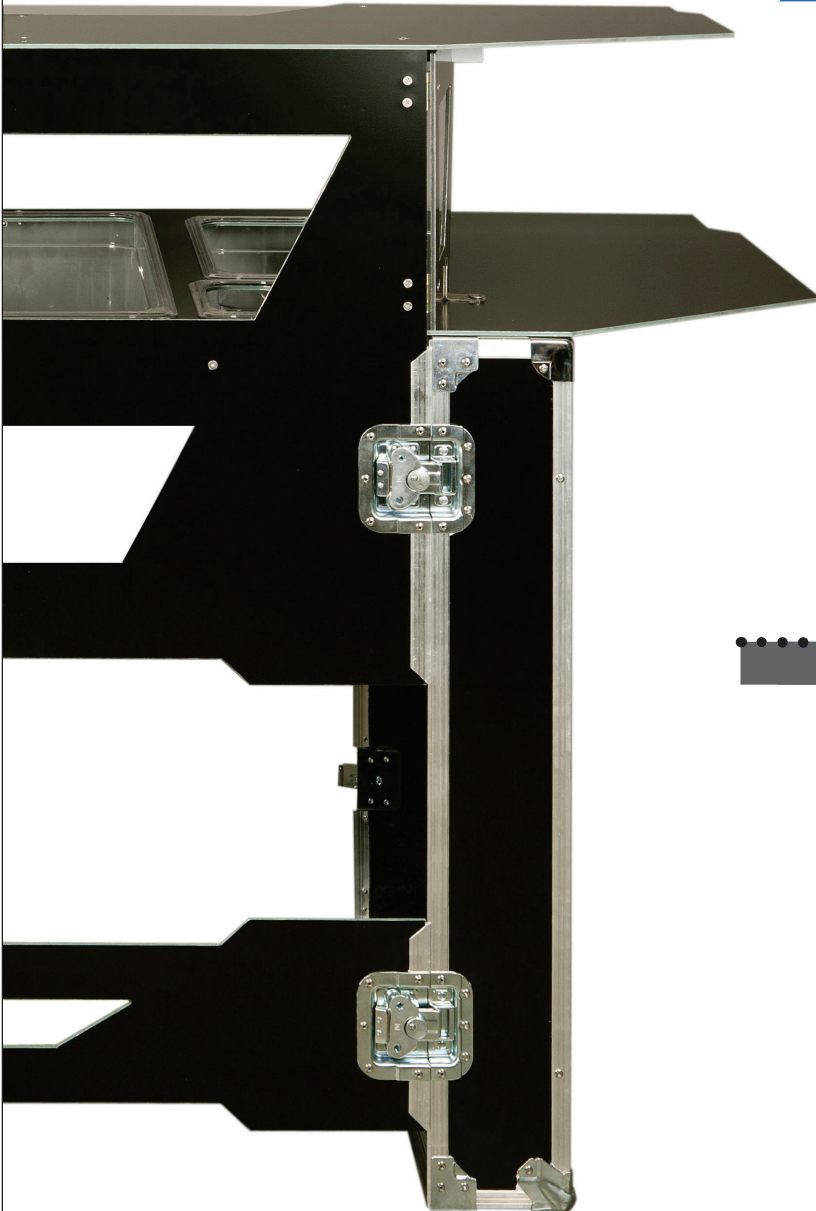


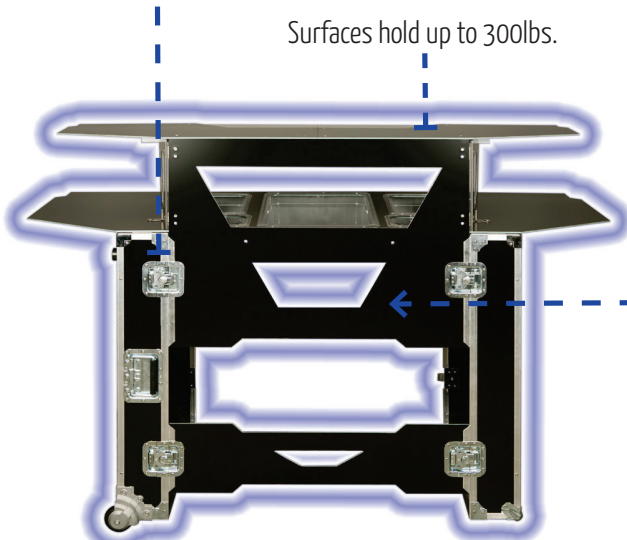
[office@bulbar.eu](mailto:office@bulbar.eu)

THE STRONGEST,  
MOST STYLISH,  
PORTABLE BAR IN THE WORLD



Steel construction for years of use.

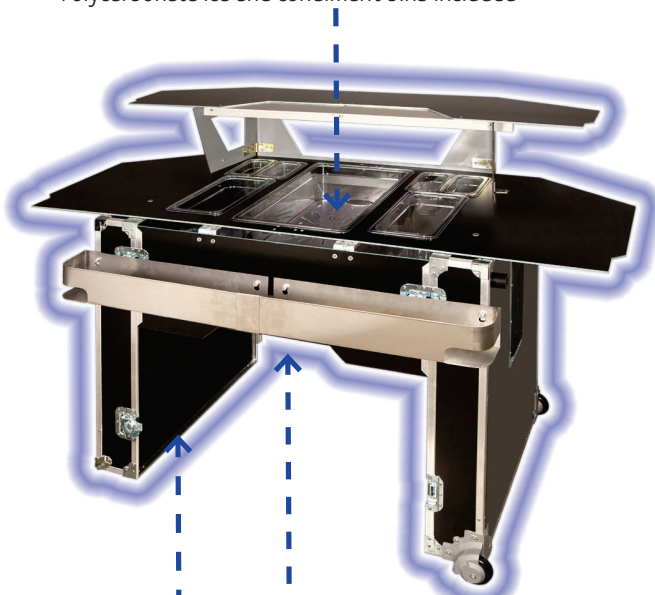
Surfaces hold up to 300lbs.



All panels can be customized with style, color, logo or many other options

Hardened wheels make transportation easy

Polycarbonate ice and condiment bins included



13 bottle speed rack

Underbar storage area

Bulbar is a dedicated to the affordable and durable production, research and distribution of the world's premier mobile folding bars, modular event bars and brick and mortar bar solutions. BullBars are designed by bartenders...us!

After years of struggling with catering tables pretending to be bars, enough was enough... we made our own and made them well. This isn't just our job, it's our passion. We thrive on the mobile bar industry and plan to bring excitement with our current product line. We refuse to become complacent and future concepts will be as innovative and insane as we are.

BulBar mobile bars are lightweight and as totally portable. Weighing only 70 pounds, they completely fold into themselves with an integrated handle and graphite-enforced wheels. Did we mention they fly? Okay they don't but one day...

Despite their lightweight design and portability, BulBars are the most durable mobile bars on the market. Instead of using plexiglass, heavy steel or cloth skirts like our competitors. BullBars are constructed from double thick anodized aluminium ensuring they can hold 300 pounds with no flex. We are so confident in their strength we offer a 5 year manufactures warranty, meaning your investment is in safe

- Large, indestructible polycarbonate ice bin; two juice holders and four fruit trays
- Stainless steel speed rack holds 13, one-litre bottles
- Ergonomically designed work area. The top bar for making drinks is not too high nor is the speed rack too far from bar top - adding speed and versatility to any bartender.
- Aluminum construction makes for easy cleaning and a completely waterproof bar

[office@bulbar.eu](mailto:office@bulbar.eu)

