

**Main features:****Pan & Tilt:**

- Step motor driving, accurate position and quick response.
- Attractive appearance
- Fast, stable and quite.

**Camera:**

- Built-in HD 10x integrated camera, with quick and accurate and stable auto focus lens.
- BLC
- Day/Night image
- Preset position image holding function

**Built in decoder:**

- Integrated multi-protocol code: P/D protocol, VISCA protocol
- Built-in OSD menu, users can control the camera and pan/tilt via the menu.
- Power off memory: the movement before power off can be memorized
- Power on self-restoring style—users can assign the dome movement after powering on.
- Change speed proportionally—pan/tilt speed declines proportionally with the increasing of zoom rate.
- Data pass through function
- . RS-232 remote control(VISCA protocol), cascading function
- RS-485 remote control, can control the camera within a max distance of 1200 meters
- Multi function controller
- On-desk or in-ceiling mount for choice.

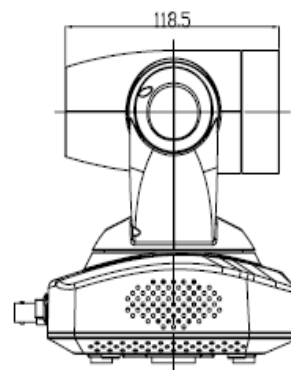
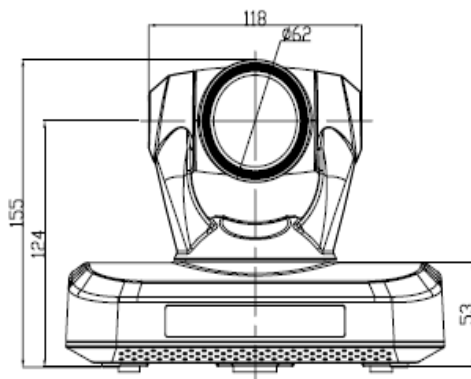
**Protection and certification**

- Meet IP40 Standard, CE, FCC Standard, has RoHS Certification

**Order model**

UV81-W 10x optical zoom, silver gray

UV81-B 10x optical zoom, black

**Dimension****Application**

Video Conference Systems

Long distance Teaching Systems

Telemedicine Systems



## Technical Parameter

<b>Camera and lens</b>	
Sensor	1/4 in high quality EXVIEW HAD CCD sensor
Video signal	1.0±0.1VP-P(75Ω, compound)
Zoom	10x optical zoom; f=4.2-42mm, F1.8-2.9
Angle of View	4.2°(farness)--42°(nearness)
Minimum lux	1.5LUX
White Balance	Auto/sunlight/cloudy/darkness/fluorescence
Focus	Auto/Manual
Iris	Auto/Manual
Shutter Speed	Auto/Manual(1/2 ~ 1/10000)
BLC	Open/close
S/N ratio	>50dB
<b>Pan/Tilt</b>	
Pan Rotation	±100°
Tilt Rotation	±30°
Pan Control Speed	0.5-50°/sec
Tilt Control Speed	0.5-30°/sec
Preset Running Speed	Pan: 50°/sec ; Tilt: 30°/sec
Preset Position	255 preset positions
<b>Input / Output</b>	
Compound Video	RCA socket, Compound video 1Vp-p, 75Ω none balance
S-VIDEO out put	4pin mini DIN(1)
Control signal interface	8 mini DIN
Control Signal format	Start bit: 1; Data bit: 8; Stop bit: 1; Baud Rate: 9600bps
Power interface	HEC3800 Power Socket
<b>Electronic</b>	
Power Adaptor	Power Adaptor
Input voltage	Input voltage
Consumption	Consumption
<b>Structure</b>	
Material	All-alloy, PC Plastic
Weight	1.5KG
<b>Structure</b>	
Material	All-alloy, PC Plastic
Weight	1.5KG
Color	Black
Dimension	142x121x164 mm
Package Size	25.6x19.5x20.5 cm
Packing	Carton, EPE
Accessories	DC12V/2A power adaptor: 1; S-VIDEO video wire:1 piece; RS 232 wire: 1 piece; Compound wire:1 piece; Operation instruction: 1 piece; Warranty Card: 1 piece; Certification Card: 1 piece; Remote Controller: 1 piece
<b>Condition</b>	
Working temperature	0°~ 45°
Storage temperature	-10°~ 60°
Working humidity	20%~80%
Storage humidity	20%~70%
Application	For indoor use
<b>Protection</b>	
Protection	IP40, With surge and lightning protector
	Meeting CE, FCC standards and has ROHS Certification

