

1950  
• SINCE •



# iBend

HYDRAULIC PRESS BRAKE





# 1950

MVD produced its first machine .

# 1971

The first sheet metal working machine “perforation press” was presented to the market.

# 1974

The production of “Heavy-duty Press Brakes and Guillotine Shears” started and MVD had the distinction of being the first Turkish manufacturer for heavy press brakes and shears.

# 1981

Moved to second factory and added the production of 4 roll bending machines and Expanded Metal presses in the next years. Thus, a great variety of machines were presented in sheet metal working industry.

# 1994

MVD produced the first tandem press brake in Turkey.

# 2001

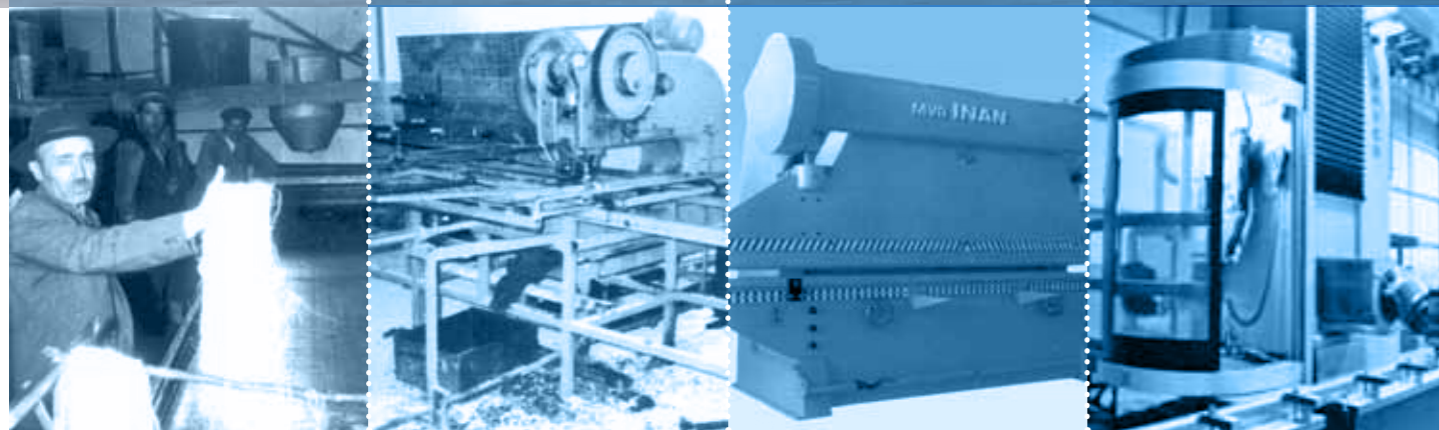
Finalised the CE conformity procedures and had its machines CE marked.

# 2003

CNC Hydraulic Turret Punch machine was presented to the market.

# 2011

Plasma cutting machine and Fiber Laser Cutting machines were presented to the market.







## Quality High Technology

**Quality and service support is accepted as principle. Designing and manufacturing are based on reliability, durability and precision.**

Machines are easy to use and are built to be ready for user errors. Machines are designed and analyzed with 3-D supported computer aided programs, precisely machined in moving column CNC machining centres, equipped with world-known equipments and presented to the customers' use after quality control.





# iBend A Series

CNC HYDRAULIC PRESS BRAKE



**Y1, Y2, X+R** (MANUEL)  
AXIS POSSIBILITIES  
AFFORDABLE, PRODUCTIVE

## General Features

- ▶ A series press brake can configure 3 axes (Y1,Y2,X) and maximum 4 axes (Y1,Y2,X,R)
- ▶ A series CNC controller is standard numerically M25 or Cybelec DNC60 or DA-52 optionally .2D Graphical based controller M30, Cybelec DNC880 or Delem DA56 preferable optionally also .
- ▶ Body and upper beam made of steel constructions, has been designed according minimum stretch and optimum resistance criteria
- ▶ Body, as the manufacture of precision CNC machining center is a single operation.
- ▶ Cylinders, processed as precision from solid full material and made honed.
- ▶ Pistons, processed from forged steel, hardened, grinding is done, and chrome-coated.
- ▶ Maximum machine performance and high bending accuracy provided by synchronized Hydraulic Cylinders, CNC-controlled, assembly in ideal conditions made the original Germany hydraulic block, Proportional Valves, high quality linear scales
- ▶ Each time the machine automatically goes to the reference.
- ▶ Automatically pressing force adjustment according material and tools criteria
- ▶ Automatic position settings and retract functions each step in bending programing
- ▶ Automatically stroke adjustment
- ▶ Programmable and automatically maximum force limitations for protections tools damage.
- ▶ Bending programs can save memory and recall again, search according material, tools
- ▶ Programmable working speed
- ▶ Manual, Semiautomatic, Full automatically working mode
- ▶ Conical bending features
- ▶ C type Linear Scale holders for body stretch compensations, protect diagonal working
- ▶ Close Loop Synchronized Cylinders controlling on bend processing .
- ▶ Maximum hydraulic pressure protect by safety valve
- ▶ Electronic overload protect system
- ▶ Automatically calculations unfolded length, automatically and programmable bend order features, according to the material thickness, material type, tools features
- ▶ Optionally original wila brand manual or motorized crowning systems

## ▶ Controller



▶ M25  
7" TFT Numerical  
Offline Software  
Standard



▶ M30  
7" Colored  
Graphical  
Offline Software  
Optional



▶ Cybelec DNC 60  
6" TFT Numerical  
Offline Software  
Optional



▶ Cybelec  
DNC 600  
9" TFT Numerical  
Offline Software  
Optional



▶ Cybelec DNC 880s  
Windows 10"  
Colored Graphical  
Offline Software  
Optional



▶ Delem DA-52  
6.4" TFT Numerical  
Offline Software  
Optional



▶ Delem DA-56  
Windows 10"  
Colored Graphical  
Offline Software  
Optional



# Standard Equipments

- ▶ Y1,Y2, X axis
- ▶ High Stroke 260 mm
- ▶ Big Throat 400 mm
- ▶ CNC numerical controller M25
- ▶ Original Hoerbiger or Rexroth Hydraulic Systems with CE norms compatible
- ▶ Schneider-Telemecanique electrical components, with ventilations electrical cabinet
- ▶ Multi -Functions stand type Control panel and foot pedal with CE norms compatible
- ▶ High Quality accurate linear scale
- ▶ Up to 120 mm/second upper beam approach speed
- ▶ Up to 120mm /second upper beam return speed
- ▶ User friendly ergonomically movable control panel
- ▶ Rigid heavy duty, cnc controlled back gauge guided with ball shaft and slide
- ▶ Movable sliding front support arm system
- ▶ +- 0,05mm precision AC motorized, back gauge system with driver
- ▶ Back gauge X axis range (stroke) 500mm
- ▶ Back gauge speed 100mm /second
- ▶ Manual movable back gauge fingers along of bending length
- ▶ Side protect covers
- ▶ Promecam type top tool clamping system
- ▶ Top tools hardened, grinded standard 835mm lengths, 66,6mm (1260)-105mm (1281) ( 400 ton and over ) high
- ▶ Bottom tools hardened, grinded standard 835 mm lengths, 60x60mm, 4 channels 16/22/35/50 mm (2067)
- ▶ Narrow table or T slot wide table
- ▶ CE conformity light barriers rear of press
- ▶ Complete electrical switch board and control panel for 400V AC 3 Phase 50Hz

## ▶ Back Gauge



▶ Single Axis X (R Manual)  
Standard

▶ 2 Axis X + R Back Gauge  
Optional

## ▶ Crowning (Anti-Deflections) System



▶ Original WILA 'Opposing wave' Manual Crowning System  
Optional

▶ Original WILA 'Opposing wave' Motorized Crowning System  
Optional

## ▶ Rear Side Safety



▶ Rear side protection cover

▶ Rear Light Barrier  
Standard

# Optional Equipments

- ▶ Cybelec DNC 60 numerical CNC control unit
- ▶ Delem DA-52 numerical CNC control unit
- ▶ Cybelec DNC 600, numerical, shown of parts on L alpha page CNC control unit
- ▶ M30, 2D graphical colored CNC control unit (automatic search bend order, optimizations collision check ), 7 inch, LCD, graphical colored
- ▶ Cybelec DNC 880s 2D graphical colored CNC control unit (automatic search bend order, optimizations, collision check )
- ▶ Delem DA-56, 2D graphical colored CNC control unit (automatic search bend order optimizations collision check )
- ▶ Original WILA 'Opposing wave' Manual Crowning (Anti-deflections) System
- ▶ Original WILA 'Opposing wave' Motorized Crowning (Anti-deflections) System
- ▶ X,R 2 axis back gauge
- ▶ 750mm or 1000mm X axis range (stroke)
- ▶ CE Conformity with AKAS Laser finger protections manual and safety PLC
- ▶ CE Conformity with AKAS Laser finger protections motorized and safety PLC
- ▶ CE Conformity with LASERSAFE Laser finger protections and safety PLC
- ▶ DFS Laser Beams finger protections in front
- ▶ Light Barriers in front ( for Tandem applications )
- ▶ Quick Clamping promecam type top tool system
- ▶ Extra back gauge fingers
- ▶ Extra front support arms
- ▶ WILA hydraulic or mechanic top tool clamping system
- ▶ WILA hydraulic or mechanic bottom tool clamping system
- ▶ Hydraulic Promecam type top tool clamping system
- ▶ American type compatible top tool clamping system
- ▶ 500mm throat and 300mm stroke
- ▶ Special stroke, Special throat
- ▶ Extra Control panel foot pedal
- ▶ T slot on Table
- ▶ Heat Exchanger (Oil Cooler)
- ▶ Special Color
- ▶ ROL1 or ROL2- ROL4 top tool clamping systems
- ▶ 220-240V 60hz operating voltage
- ▶ 440-480V 60hz operating voltage
- ▶ 220-240V 60Hz and 440V-480V 60 Hz double operating voltage (by preliminary preparation)

## ▶ Safety



▶ DFS Laser  
Optional

▶ Manual Akas Laser  
Optional

▶ Motorized Akas Laser  
Optional

▶ LaserSafe  
Optional

▶ Light Barrier (Tandem)  
Optional

## ▶ Other Equipments



▶ Bottom and Top Tools  
Standard

▶ WILA Tool Clamping System  
Optional

▶ Sliding Front Support Arms  
Standard

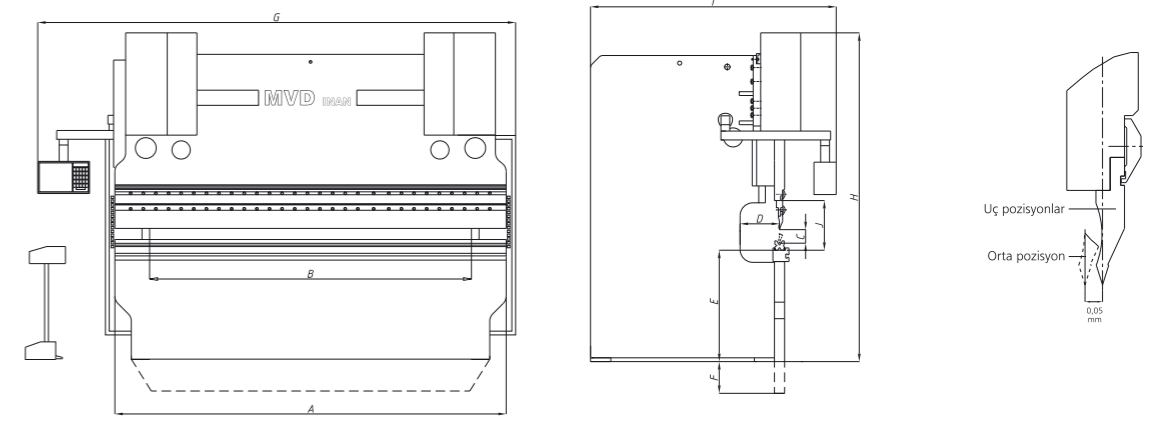
▶ Laser Angle Management System  
Optional

▶ ROL 2-ROL 4 Hydraulic Clamping  
Optional

▶ Special Throat  
Optional

# iBend A Series

## Technical Features



### Technical Table

| iBend A Series | Bending Power Force | Bending length | Distance Between Columns | Stroke | Daylight | Throat | Table Height | Table Height Below Ground | Backgauge Speed |              |              | Backgauge Stroke | Length | Height | Width | Crowning |           | Rapid Approach Speed | Pressing Speed | Return Speed | Hydraulic tank | Main motor | Weight |
|----------------|---------------------|----------------|--------------------------|--------|----------|--------|--------------|---------------------------|-----------------|--------------|--------------|------------------|--------|--------|-------|----------|-----------|----------------------|----------------|--------------|----------------|------------|--------|
|                | ton.                | A              | B                        | C      | J        | D      | E            | F                         | X Axis          | X-R Axis     |              | X Axis           | G      | H      | L     | Manual   | Motorized | mm/sec               | mm/sec         | mm/sec       | Lt             | Kw.        | kg     |
|                |                     | mm.            | mm.                      | mm.    | mm.      | mm.    | mm.          | mm.                       | X Axis Speed    | X Axis Speed | R Axis Speed | mm.              | mm.    | mm.    | mm.   |          |           |                      |                |              |                |            |        |
|                |                     |                |                          |        |          |        |              |                           | (mm/s)          | (mm/s)       | (mm/s)       |                  |        |        |       |          |           |                      |                |              |                |            |        |
| A40-1250       | 40                  | 1250           | 1100                     | 260    | 465      | 400    | 870          | xx                        | 100             | 500          | 300          | 500              | 2750   | 2400   | 1950  | -        | -         | 120                  | 9              | 100          | 95             | 4          | 3050   |
| A60-2100       | 60                  | 2100           | 1600                     | 260    | 465      | 400    | 880          | xx                        | 100             | 500          | 300          | 500              | 3600   | 2400   | 2100  | -        | -         | 120                  | 10             | 120          | 110            | 4          | 4850   |
| A60-2600       | 60                  | 2600           | 2150                     | 260    | 465      | 400    | 880          | xx                        | 100             | 500          | 300          | 500              | 4150   | 2400   | 2150  | Optional | Optional  | 120                  | 10             | 120          | 110            | 5,5        | 5300   |
| A100-2600      | 100                 | 2600           | 2150                     | 260    | 465      | 400    | 880          | xx                        | 100             | 500          | 300          | 500              | 4150   | 2430   | 2150  | Optional | Optional  | 120                  | 10             | 120          | 110            | 7,5        | 5800   |
| A100-3100      | 100                 | 3100           | 2600                     | 260    | 465      | 400    | 900          | xx                        | 100             | 500          | 300          | 500              | 4750   | 2450   | 2200  | Optional | Optional  | 120                  | 10             | 120          | 180            | 7,5        | 6450   |
| A135-3100      | 135                 | 3100           | 2600                     | 260    | 465      | 400    | 920          | xx                        | 100             | 500          | 300          | 500              | 4750   | 2500   | 2500  | Optional | Optional  | 120                  | 10             | 120          | 180            | 11         | 7600   |
| A175-3100      | 175                 | 3100           | 2600                     | 260    | 465      | 400    | 920          | xx                        | 100             | 500          | 300          | 500              | 4750   | 2600   | 2675  | Optional | Optional  | 120                  | 10             | 120          | 180            | 15         | 8800   |
| A220-3100      | 220                 | 3100           | 2600                     | 260    | 465      | 400    | 930          | xx                        | 100             | 500          | 300          | 500              | 4800   | 2730   | 2700  | Optional | Optional  | 110                  | 10             | 120          | 290            | 18,5       | 10800  |
| A270-3100      | 270                 | 3100           | 2600                     | 260    | 465      | 400    | 950          | xx                        | 100             | 500          | 300          | 500              | 4850   | 2850   | 2800  | Optional | Optional  | 100                  | 10             | 120          | 290            | 22         | 13100  |
| A320-3100      | 320                 | 3100           | 2600                     | 260    | 465      | 400    | 970          | xx                        | 100             | 500          | 300          | 500              | 4850   | 2900   | 2850  | Optional | Optional  | 100                  | 9              | 120          | 290            | 22         | 14200  |
| A135-3700      | 135                 | 3700           | 3200                     | 260    | 465      | 400    | 930          | xx                        | 100             | 500          | 300          | 500              | 5450   | 2600   | 2500  | Optional | Optional  | 120                  | 10             | 120          | 180            | 11         | 8600   |
| A175-3700      | 175                 | 3700           | 3200                     | 260    | 465      | 400    | 940          | xx                        | 100             | 500          | 300          | 500              | 5450   | 2800   | 2675  | Optional | Optional  | 120                  | 10             | 120          | 180            | 15         | 9900   |
| A220-3700      | 220                 | 3700           | 3200                     | 260    | 465      | 400    | 940          | xx                        | 100             | 500          | 300          | 500              | 5450   | 2900   | 2700  | Optional | Optional  | 110                  | 10             | 120          | 290            | 18,5       | 12000  |
| A320-3700      | 320                 | 3700           | 3200                     | 260    | 465      | 400    | 970          | xx                        | 100             | 500          | 300          | 500              | 5450   | 3000   | 2900  | Optional | Optional  | 100                  | 9              | 120          | 290            | 22         | 15100  |
| A135-4100      | 135                 | 4100           | 3200                     | 260    | 465      | 400    | 930          | xx                        | 100             | 500          | 300          | 500              | 5850   | 2600   | 2500  | Optional | Optional  | 120                  | 10             | 120          | 180            | 11         | 9600   |
| A175-4100      | 175                 | 4100           | 3200                     | 260    | 465      | 400    | 940          | xx                        | 100             | 500          | 300          | 500              | 5850   | 2800   | 2675  | Optional | Optional  | 120                  | 10             | 120          | 180            | 15         | 11000  |
| A220-4100      | 220                 | 4100           | 3200                     | 260    | 465      | 400    | 940          | xx                        | 100             | 500          | 300          | 500              | 5850   | 2900   | 2700  | Optional | Optional  | 110                  | 10             | 120          | 290            | 18,5       | 12900  |
| A270-4100      | 270                 | 4100           | 3200                     | 260    | 465      | 400    | 950          | xx                        | 100             | 500          | 300          | 500              | 5850   | 3000   | 2800  | Optional | Optional  | 100                  | 10             | 120          | 290            | 22         | 14700  |
| A320-4100      | 320                 | 4100           | 3200                     | 260    | 465      | 400    | 970          | xx                        | 100             | 500          | 300          | 500              | 5850   | 3050   | 2850  | Optional | Optional  | 100                  | 9              | 120          | 290            | 22         | 16300  |
| A400-4100      | 400                 | 4100           | 3200                     | 310    | 550      | 500    | 1250         | xx                        | 100             | 500          | 300          | 500              | 5850   | 3100   | 3050  | -        | Optional  | 90                   | 8,5            | 90           | 370            | 30         | 20800  |
| A500-4100      | 500                 | 4100           | 3200                     | 310    | 550      | 500    | 850          | 685                       | 100             | 500          | 300          | 500              | 5850   | 3150   | 3050  | -        | Optional  | 80                   | 10             | 80           | 550            | 45         | 26100  |
| A220-4300      | 220                 | 4300           | 3700                     | 260    | 465      | 400    | 950          | XX                        | 100             | 500          | 300          | 500              | 6000   | 3000   | 2750  | Optional | Optional  | 110                  | 10             | 120          | 290            | 18,5       | 14100  |
| A270-4300      | 270                 | 4300           | 3700                     | 260    | 465      | 400    | 950          | XX                        | 100             | 500          | 300          | 500              | 6000   | 3050   | 2850  | Optional | Optional  | 100                  | 10             | 120          | 290            | 22         | 15600  |
| A320-4300      | 320                 | 4300           | 3700                     | 260    | 465      | 400    | 970          | XX                        | 100             | 500          | 300          | 500              | 6000   | 3150   | 2900  | Optional | Optional  | 100                  | 9              | 120          | 290            | 22         | 17200  |
| A220-5100      | 220                 | 5100           | 4200                     | 260    | 465      | 400    | 970          | XX                        | 100             | 500          | 300          | 500              | 6900   | 3100   | 2800  | Optional | Optional  | 110                  | 10             | 120          | 290            | 18,5       | 17900  |
| A270-5100      | 270                 | 5100           | 4200                     | 260    | 465      | 400    | 970          | XX                        | 100             | 500          | 300          | 500              | 6900   | 3150   | 2900  | Optional | Optional  | 110                  | 10             | 120          | 290            | 22         | 20400  |
| A320-5100      | 320                 | 5100           | 4200                     | 260    | 465      | 400    | 1000         | XX                        | 100             | 500          | 300          | 500              | 6900   | 3200   | 2950  | Optional | Optional  | 100                  | 9              | 120          | 290            | 22         | 22800  |
| A400-5100      | 400                 | 5100           | 4200                     | 310    | 550      | 500    | 1050         | XX                        | 100             | 500          | 300          | 500              | 6900   | 3300   | 3050  | -        | Optional  | 90                   | 8,5            | 90           | 410            | 30         | 26000  |
| A220-6100      | 220                 | 6100           | 5100                     | 260    | 465      | 400    | 1050         | xx                        | 100             | 500          | 300          | 500              | 8000   | 3000   | 3050  | Optional | Optional  | 110                  | 10             | 120          | 400            | 18,5       | 24000  |
| A320-6100      | 320                 | 6100           | 5100                     | 260    | 465      | 400    | 1100         | xx                        | 100             | 500          | 300          | 500              | 8000   | 3050   | 2950  | -        | Optional  | 100                  | 9              | 120          | 400            | 22         | 29000  |
| A400-6100      | 400                 | 6100           | 5100                     | 310    | 550      | 500    | 1150         | xx                        | 100             | 500          | 300          | 500              | 8050   | 3650   | 3050  | -        | Optional  | 90                   | 8,5            | 90           | 400            | 30         | 34500  |
| A500-6100      | 500                 | 6100           | 5100                     | 310    | 550      | 500    | 900          | 1450                      | 100             | 500          | 300          | 500              | 8100   | 3950   | 3150  | -        | Optional  | 80                   | 10             | 80           | 550            | 37         | 40000  |
| A600-6100      | 600                 | 6100           | 5100                     | 360    | 600      | 600    | 900          | 1500                      | 100             | 500          | 300          | 500              | 8150   | 4300   | 3300  | -        | Optional  | 75                   | 9,5            | 90           | 550            | 45         | 46000  |
| A800-6100      | 800                 | 6100           | 5100                     | 410    | 650      | 600    | 900          | 1550                      | 100             | 500          | 300          | 500              | 8200   | 4500   | 3500  | -        | Optional  | 70                   | 8,7            | 90           | 640            | 55         | 58000  |
| A1000-6100     | 1000                | 6100           | 5100                     | 510    | 750      | 600    | 900          | 1700                      | 100             | 500          | 300          | 500              | 8250   | 4750   | 3800  | -        | Optional  | 65                   | 7,2            | 90           | 1000           | 55         | 72000  |

Technical specifications are subject to change without notice.  
Special capacity machines can be manufactured upon request.



# iBend B Series

## CNC HYDRAULIC PRESS BRAKE



**2D GRAPHICAL SCREEN**  
FLEXIBLE FEATURES, HIGH ACCURACY

## General Features

- ▶ B series press brake can configure 3 axes (Y1,Y2,X) and up to maximum 6 axes (Y1,Y2,X+R,) or (Y1,Y2,X+R,Z1+Z2 )
- ▶ B series CNC controller is standard graphical and numerically, Standard M30 2D Graphical, Cybelec DNC60 or Delem DA-52 . Cybelec DNC880, or DA-56 preferable optionally .also
- ▶ Body and upper beam made of steel constructions, has been designed according minimum stretch and optimum resistance criteria
- ▶ Body, as the manufacture of precise CNC machining center is a single operation.
- ▶ Cylinders processed as precision from solid full material and made honed.
- ▶ Pistons, processed from forged steel, hardened, grinding is done, and chrome-coated.
- ▶ Maximum machine performance and high bending accuracy provided by synchronized Hydraulic Cylinders, CNC-controlled, assembly in ideal conditions made the original Germany hydraulic block, Proportional Valves,high quality Givi or Heidenhain optic linear scales
- ▶ Each time the machine automatically goes to the reference.
- ▶ Automatic pressing force adjustment according material and tools criteria
- ▶ Automatic positions settings and retract functions each step in bending programming
- ▶ Automatic stroke adjustment
- ▶ Programmable and automatic maximum force limitations for protections tools damage.
- ▶ Bending programs can save memory and recall again, search according material, tools
- ▶ Programmable working speed
- ▶ Manual, Semiautomatical, Fullautomatical working mode
- ▶ Conical bending features
- ▶ C type Linear Scale holders for body stretch compensations, protect diagonal working
- ▶ Close Loop Synchronized Cylinders controlling on bend processing .
- ▶ Maximum hydraulic pressure protect by safety valve
- ▶ Electronically overload protect system
- ▶ Automatically calculations unfolded length, Automatically and programmable bend order features, according to the material thickness, material type, tools features Standard .2D graphical color controller provided optimizations of automatically search bend order with collisions check for bending parts
- ▶ Optionally original wila brand manual or motorized crowning systems

### ▶ Controller



▶ M30  
7" TFT Colored 2D  
Graphical Offline  
Software  
Standard



▶ Cybelec DNC 60  
6" TFT Numerical  
Offline Software  
Standard



▶ Delem DA-52  
7" TFT Numerical  
Standard



▶ Cybelec DNC 600  
9" TFT Numerical  
Offline Software  
Optional



▶ Delem DA-56  
Windows 10"  
Colored 2D Graphical  
Offline Software  
Optional



▶ Cybelec DNC 880s  
Windows 10" Colores  
2D Graphical  
Offline Software  
Optional



# Standard Equipments

- ▶ Y1,Y2, X axis
- ▶ High Stroke 260 mm
- ▶ Big Throat 400 mm
- ▶ CNC 2D Graphical colored control unit M30 (Automatic Search bend order optimizations with collision check ), 7 inch, LCD,
- ▶ Cybelec DNC60 or Delem DA-52
- ▶ Offline Software for Cybelec and M30
- ▶ Original Hoerbiger or Rexroth Hydraulic Systems with CE norms compatible
- ▶ Schneider-Telemecanique electrical components, with ventilations electrical cabinet
- ▶ Multi -Functions stand type Control panel and foot pedal with CE norms compatible
- ▶ High Quality, high accuracy, +- 0,005 mm Heidenhein or Givi optic linear scale
- ▶ Up to 120 mm/second upper beam approach speed
- ▶ Up to 120mm /second upper beam return speed
- ▶ User friendly ergonomically movable control panel
- ▶ Unimec original brand, Rigid heavy duty, cnc controlled back gauge
- ▶ Movable sliding front support arm system
- ▶ +- 0,03mm precision servo motorized, back gauge system with driver
- ▶ Back gauge X axis range (stroke) 750 mm
- ▶ Back gauge speed 500mm /second
- ▶ Manual movable back gauge fingers along of bending length
- ▶ Side protect covers
- ▶ Quick clamping system for promecam type top tool
- ▶ Top tools hardened, grinded standard 835mm lengths, 66,6mm (1260)-105mm (1281) ( 400 ton and over ) high
- ▶ Bottom tools hardened, grinded standard 835 mm lengths, 60x60mm, 4 channels 16/22/35/50 mm (2067)
- ▶ Narrow table or T slot wide table
- ▶ CE conformity light barriers rear of pres
- ▶ Complete electrical switch board and control panel for 400V AC 3 Phase 50Hz

## ▶ Back Gauge



▶ Original Unimec Single Axes X (R Manual) Standard

▶ Original Unimec 2 Axes X + R Back Gauge Optional

▶ Original Unimec 4 Axes X+R+Z1+Z2 Back Gauge Optional

## ▶ Crowning (Anti-Deflections) System



▶ Original WILA 'Opposing wave' Manual Crowning System Optional

▶ Original WILA 'Opposing wave' Motorized Crowning System Optional

## ▶ Rear Side Safety



▶ Rear side protection cover

▶ Rear Light Barrier Standard

# Optional Equipments

- ▶ Cybelec DNC 600, numerical, shown of parts on L alpha page CNC control unit
- ▶ Cybelec DNC 880s 2D graphical colored CNC control unit (automatic search bend order, optimizations, collision check )
- ▶ Delem DA-56, 2D graphical colored CNC control unit (automatic search bend order optimizations collision check )
- ▶ Delem Profile W Software
- ▶ Original WILA 'Opposing wave' Manual Crowning (Anti-deflections ) System
- ▶ Original WILA 'Opposing wave' Motorized Crowning (Anti-deflections ) System
- ▶ X,R 2 axis back gauge
- ▶ 1000mm X axis range (stroke)
- ▶ CE Conformity with AKAS Laser finger protections manual and safety PLC
- ▶ CE Conformity with AKAS Laser finger protections Motorized and safety PLC
- ▶ CE Conformity with LASERSAFE Laser finger protections and safety PLC
- ▶ DFS Laser Beams finger protections in front
- ▶ Light Barriers in front ( for Tandem applications)
- ▶ Extra back gauge fingers
- ▶ Extra front support arms
- ▶ WILA hydraulic or mechanic top tool clamping system
- ▶ WILA hydraulic or mechanic bottom tool clamping system
- ▶ Hydraulic Promecam type top tool clamping system
- ▶ American type compatible top tool clamping system
- ▶ 500mm throat and 300mm stroke
- ▶ Special stroke, Special throat
- ▶ Extra Control panel foot pedal
- ▶ T slot on Table
- ▶ Heat Exchanger ( Oil Cooler )
- ▶ Special Color
- ▶ ROL1 or ROL2- ROL4 top tool clamping systems
- ▶ 220-240V 60hz operating voltage
- ▶ 440-480V 60hz operating voltage
- ▶ 220-240V 60Hz and 440V-480V 60 Hz double operating voltage (by preliminary preparation)

## ▶ Safety



▶ DFS Laser Optional

▶ Manual Akas Laser Optional

▶ Motorized Akas Laser Optional

▶ LaserSafe Optional

▶ Light Barrier (Tandem) Optional

## ▶ Other Equipments



▶ Bottom and Top Tools Standard

▶ WILA Tool Clamping System Optional

▶ Sliding Front Support Arms Standard

▶ Laser Angle Management System Optional

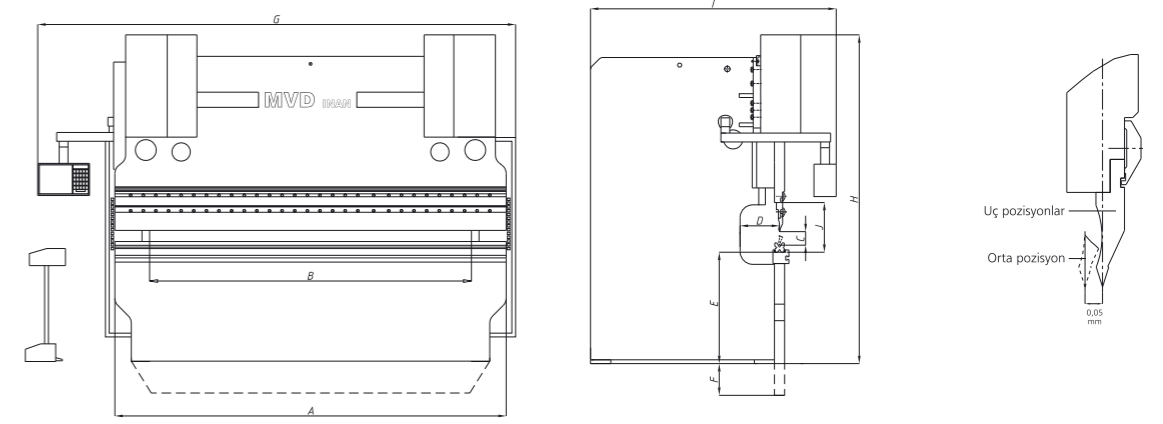
▶ ROL 2-ROL 4 Hydraulic Clamping Optional

▶ Special Throat Optional



# iBend B Series

## Technical Features



### Technical Table

| iBend B-Series | Bending Power Force | Bending length | Distance Between Columns | Stroke | Daylight | Throat | Table Height | Table Height Below Ground | Backgauge Speed |              |              | Backgauge Stroke | Length | Height | Width | Crowning |           | Rapid Approach Speed | Pressing Speed | Return Speed | Hydraulic tank | Main motor | Weight |
|----------------|---------------------|----------------|--------------------------|--------|----------|--------|--------------|---------------------------|-----------------|--------------|--------------|------------------|--------|--------|-------|----------|-----------|----------------------|----------------|--------------|----------------|------------|--------|
|                | ton.                | A              | B                        | C      | J        | D      | E            | F                         | X Axis          | X-R Axis     |              | X Axis           | G      | H      | L     | Manual   | Motorized | mm/sec               | mm/sn.         | mm/sec       | Lt             | Kw.        | kg     |
|                |                     | mm.            | mm.                      | mm.    | mm.      | mm.    | mm.          | mm.                       | X Axis Speed    | X Axis Speed | R Axis Speed | mm.              | mm.    | mm.    | mm.   |          |           |                      |                |              |                |            |        |
|                |                     |                |                          |        |          |        |              |                           | (mm/s)          | (mm/s)       | (mm/s)       |                  |        |        |       |          |           |                      |                |              |                |            |        |
| B40-1250       | 40                  | 1250           | 1100                     | 260    | 465      | 400    | 870          | xx                        | 500             | 500          | 300          | 750              | 2750   | 2400   | 1950  | -        | -         | 120                  | 9              | 100          | 95             | 4          | 3050   |
| B60-2100       | 60                  | 2100           | 1600                     | 260    | 465      | 400    | 880          | xx                        | 500             | 500          | 300          | 750              | 3600   | 2400   | 2100  | -        | -         | 120                  | 10             | 120          | 110            | 4          | 4850   |
| B60-2600       | 60                  | 2600           | 2150                     | 260    | 465      | 400    | 880          | xx                        | 500             | 500          | 300          | 750              | 4150   | 2400   | 2150  | Optional | Optional  | 120                  | 10             | 120          | 110            | 5,5        | 5300   |
| B100-2600      | 100                 | 2600           | 2150                     | 260    | 465      | 400    | 880          | xx                        | 500             | 500          | 300          | 750              | 4150   | 2430   | 2150  | Optional | Optional  | 120                  | 10             | 120          | 110            | 7,5        | 5800   |
| B100-3100      | 100                 | 3100           | 2600                     | 260    | 465      | 400    | 900          | xx                        | 500             | 500          | 300          | 750              | 4750   | 2450   | 2200  | Optional | Optional  | 120                  | 10             | 120          | 180            | 7,5        | 6450   |
| B135-3100      | 135                 | 3100           | 2600                     | 260    | 465      | 400    | 920          | xx                        | 500             | 500          | 300          | 750              | 4750   | 2500   | 2500  | Optional | Optional  | 120                  | 10             | 120          | 180            | 11         | 7600   |
| B175-3100      | 175                 | 3100           | 2600                     | 260    | 465      | 400    | 920          | xx                        | 500             | 500          | 300          | 750              | 4750   | 2600   | 2675  | Optional | Optional  | 120                  | 10             | 120          | 180            | 15         | 8800   |
| B220-3100      | 220                 | 3100           | 2600                     | 260    | 465      | 400    | 930          | xx                        | 500             | 500          | 300          | 750              | 4800   | 2730   | 2700  | Optional | Optional  | 110                  | 10             | 120          | 290            | 18,5       | 10800  |
| B270-3100      | 270                 | 3100           | 2600                     | 260    | 465      | 400    | 950          | xx                        | 500             | 500          | 300          | 750              | 4850   | 2850   | 2800  | Optional | Optional  | 100                  | 10             | 120          | 290            | 22         | 13100  |
| B320-3100      | 320                 | 3100           | 2600                     | 260    | 465      | 400    | 970          | xx                        | 500             | 500          | 300          | 750              | 4850   | 2900   | 2850  | Optional | Optional  | 100                  | 9              | 120          | 290            | 22         | 14200  |
| B135-3700      | 135                 | 3700           | 3200                     | 260    | 465      | 400    | 930          | xx                        | 500             | 500          | 300          | 750              | 5450   | 2600   | 2500  | Optional | Optional  | 120                  | 10             | 120          | 180            | 11         | 8600   |
| B175-3700      | 175                 | 3700           | 3200                     | 260    | 465      | 400    | 940          | xx                        | 500             | 500          | 300          | 750              | 5450   | 2800   | 2675  | Optional | Optional  | 120                  | 10             | 120          | 180            | 15         | 9900   |
| B220-3700      | 220                 | 3700           | 3200                     | 260    | 465      | 400    | 940          | xx                        | 500             | 500          | 300          | 750              | 5450   | 2900   | 2700  | Optional | Optional  | 110                  | 10             | 120          | 290            | 18,5       | 12000  |
| B320-3700      | 320                 | 3700           | 3200                     | 260    | 465      | 400    | 970          | xx                        | 500             | 500          | 300          | 750              | 5450   | 3000   | 2900  | Optional | Optional  | 100                  | 9              | 120          | 290            | 22         | 15100  |
| B135-4100      | 135                 | 4100           | 3200                     | 260    | 465      | 400    | 930          | xx                        | 500             | 500          | 300          | 750              | 5850   | 2600   | 2500  | Optional | Optional  | 120                  | 10             | 120          | 180            | 11         | 9600   |
| B175-4100      | 175                 | 4100           | 3200                     | 260    | 465      | 400    | 940          | xx                        | 500             | 500          | 300          | 750              | 5850   | 2800   | 2675  | Optional | Optional  | 120                  | 10             | 120          | 180            | 15         | 11000  |
| B220-4100      | 220                 | 4100           | 3200                     | 260    | 465      | 400    | 940          | xx                        | 500             | 500          | 300          | 750              | 5850   | 2900   | 2700  | Optional | Optional  | 110                  | 10             | 120          | 290            | 18,5       | 12900  |
| B270-4100      | 270                 | 4100           | 3200                     | 260    | 465      | 400    | 950          | xx                        | 500             | 500          | 300          | 750              | 5850   | 3000   | 2800  | Optional | Optional  | 100                  | 10             | 120          | 290            | 22         | 14700  |
| B320-4100      | 320                 | 4100           | 3200                     | 260    | 465      | 400    | 970          | xx                        | 500             | 500          | 300          | 750              | 5850   | 3050   | 2850  | Optional | Optional  | 100                  | 9              | 120          | 290            | 22         | 16300  |
| B400-4100      | 400                 | 4100           | 3200                     | 310    | 550      | 500    | 1250         | xx                        | 500             | 500          | 300          | 750              | 5850   | 3100   | 3050  | -        | Optional  | 90                   | 8,5            | 90           | 370            | 30         | 20800  |
| B500-4100      | 500                 | 4100           | 3200                     | 310    | 550      | 500    | 850          | 685                       | 500             | 500          | 300          | 750              | 5850   | 3150   | 3050  | -        | Optional  | 80                   | 10             | 80           | 550            | 45         | 26100  |
| B220-4300      | 220                 | 4300           | 3700                     | 260    | 465      | 400    | 950          | XX                        | 500             | 500          | 300          | 750              | 6000   | 3000   | 2750  | Optional | Optional  | 110                  | 10             | 120          | 290            | 18,5       | 14100  |
| B270-4300      | 270                 | 4300           | 3700                     | 260    | 465      | 400    | 950          | XX                        | 500             | 500          | 300          | 750              | 6000   | 3050   | 2850  | Optional | Optional  | 100                  | 10             | 120          | 290            | 22         | 15600  |
| B320-4300      | 320                 | 4300           | 3700                     | 260    | 465      | 400    | 970          | XX                        | 500             | 500          | 300          | 750              | 6000   | 3150   | 2900  | Optional | Optional  | 100                  | 9              | 120          | 290            | 22         | 17200  |
| B220-5100      | 220                 | 5100           | 4200                     | 260    | 465      | 400    | 970          | XX                        | 500             | 500          | 300          | 750              | 6900   | 3100   | 2800  | Optional | Optional  | 110                  | 10             | 120          | 290            | 18,5       | 17900  |
| B270-5100      | 270                 | 5100           | 4200                     | 260    | 465      | 400    | 970          | XX                        | 500             | 500          | 300          | 750              | 6900   | 3150   | 2900  | Optional | Optional  | 110                  | 10             | 120          | 290            | 22         | 20400  |
| B320-5100      | 320                 | 5100           | 4200                     | 260    | 465      | 400    | 1000         | XX                        | 500             | 500          | 300          | 750              | 6900   | 3200   | 2950  | Optional | Optional  | 100                  | 9              | 120          | 290            | 22         | 22800  |
| B400-5100      | 400                 | 5100           | 4200                     | 310    | 550      | 500    | 1050         | XX                        | 500             | 500          | 300          | 750              | 6900   | 3300   | 3050  | -        | Optional  | 90                   | 8,5            | 90           | 410            | 30         | 26000  |
| B220-6100      | 220                 | 6100           | 5100                     | 260    | 465      | 400    | 1050         | xx                        | 500             | 500          | 300          | 750              | 8000   | 3000   | 3050  | Optional | Optional  | 110                  | 10             | 120          | 400            | 18,5       | 24000  |
| B320-6100      | 320                 | 6100           | 5100                     | 260    | 465      | 400    | 1100         | xx                        | 500             | 500          | 300          | 750              | 8000   | 3050   | 2950  | -        | Optional  | 100                  | 9              | 120          | 400            | 22         | 29000  |
| B400-6100      | 400                 | 6100           | 5100                     | 310    | 550      | 500    | 1150         | xx                        | 500             | 500          | 300          | 750              | 8050   | 3650   | 3050  | -        | Optional  | 90                   | 8,5            | 90           | 400            | 30         | 34500  |
| B500-6100      | 500                 | 6100           | 5100                     | 310    | 550      | 500    | 900          | 1450                      | 500             | 500          | 300          | 750              | 8100   | 3950   | 3150  | -        | Optional  | 80                   | 10             | 80           | 550            | 37         | 40000  |
| B600-6100      | 600                 | 6100           | 5100                     | 360    | 600      | 600    | 900          | 1500                      | 500             | 500          | 300          | 750              | 8150   | 4300   | 3300  | -        | Optional  | 75                   | 9,5            | 90           | 550            | 45         | 46000  |
| B800-6100      | 800                 | 6100           | 5100                     | 410    | 650      | 600    | 900          | 1550                      | 500             | 500          | 300          | 750              | 8200   | 4500   | 3500  | -        | Optional  | 70                   | 8,7            | 90           | 640            | 55         | 58000  |
| B1000-6100     | 1000                | 6100           | 5100                     | 510    | 750      | 600    | 900          | 1700                      | 500             | 500          | 300          | 750              | 8250   | 4750   | 3800  | -        | Optional  | 65                   | 7,2            | 90           | 1000           | 55         | 72000  |

Technical specifications are subject to change without notice.  
Special capacity machines can be manufactured upon request.



# iBend C Series

## CNC HYDRAULIC PRESS BRAKE



**300 MM STROKE**  
**500 MM THROAT**  
HIGH SPEED, HIGH PERFORMANCE

## General Features

- ▶ C series press brake can configure 4 axes (Y1,Y2,X,R ) and up to maximum 12 axes (Y1,Y2,X1,X2,R1,R2,Z1,Z2,AP3,AP4...)
- ▶ C Series CNC control unit standard 2D colored graphical ; Standard Cybelec ModEva10's, Delem 66T or M50'dir. 3D CNC'ls Cybelec ModEva 12 - 15, Delem 69 or M50 PCT preferable optionally .also.
- ▶ Offline software for Cybelec and M50
- ▶ Body and upper beam made of steel constructions, has been designed according minimum stretch and optimum resistance criteria
- ▶ Body, as the manufacture of precision CNC machining center is a single operation.
- ▶ Cylinders, processed as precision from solid full material and made honed .
- ▶ Pistons, processed from forged steel, hardened, grinding is done, and chrome-coated.
- ▶ Maximum machine performance and high bending accuracy provided by synchronized Hydraulic Cylinders, CNC-controlled, assembly in ideal conditions made the original Germany hydraulic block, Proportional Valves, high quality Givi or Heidenhain optic linear scales
- ▶ Each time the machine automatically goes to the reference.
- ▶ Automatically pressing force adjustment according material and tools criteria
- ▶ Automatic positions settings and retract functions each step in bending programming
- ▶ Automatic stroke adjustment
- ▶ Programmable and automatically maximum force limitations for protections tools damage.
- ▶ Bending programs can save memory and recall again, search according material, tools
- ▶ Programmable working speed
- ▶ Manual, Semiautomatic, Full automatic working mode
- ▶ Conical bending features
- ▶ C type Linear Scale holders for body stretch compensations, protect diagonal working
- ▶ Close Loop Synchronized Cylinders controlling on bend processing .
- ▶ Maximum hydraulic pressure protect by safety valve
- ▶ Electronic overload protect system
- ▶ Automatically calculations unfolded length, Automatically and programmable bend order features, according to the material thickness, material type, tools features Standard .2D graphical color controller provided optimizations of automatical search bend order with collisions check for bending parts
- ▶ Standard original wila brand manual or motorized crowning systems

## ▶ Controller



▶ Delem 66 Touch  
Windows 12" 3D  
Standard



▶ Cybelec ModEva10's  
Windows 12"  
Graphical  
Offline Software  
Standard



▶ M50  
Windows 15"  
Graphical  
Offline Software  
Standard



▶ Cybelec  
ModEva12's  
Windows 12" 3D  
Offline Software  
Optional



▶ ModEva RA Touch  
Windows 15" 3D  
Offline Software  
Optional



▶ Delem 69  
Windows 12" 3D  
Optional



# Standard Equipments

- ▶ Y1, Y2, X, R Axis
- ▶ Exceptional High Stroke 300 mm
- ▶ Exceptional Big Throat 500 mm
- ▶ Cybelec ModEva 10's CNC 2D graphical colored control unit,
- ▶ Delem 66T CNC control unit
- ▶ (Touch Screen 3 D visualizations for machine, parts, tools, backgauge )
- ▶ M50 2D colored graphical CNC control unit (15 inch TFT Windows)
- ▶ Original WILA 'Opposing wave' Manual and Motorized Crowning (Anti-deflections ) System
- ▶ Original Hoerbiger or Rexroth Hydraulic Systems with CE norms compatible
- ▶ Schneider-Telemecanique electrical components, with ventilations electrical cabinet
- ▶ Multi –Functions stand type Control panel and foot pedal with CE norms compatible
- ▶ High Quality, high accuracy, +- 0,005 mm Heidenhein or Givi optic linear scale
- ▶ Up to 120 mm/second upper beam approach speed
- ▶ Up to 120mm /second upper beam return speed
- ▶ User friendly ergonomically movable control panel
- ▶ Unimec original brand, Rigid heavy duty, cnc controlled back gauge
- ▶ Movable sliding front support arm system
- ▶ +- 0,03mm precision servo motorized, back gauge system with driver
- ▶ Back gauge X axis range (stroke) 750 mm
- ▶ Back gauge speed 500mm /second
- ▶ Manual movable back gauge fingers along of bending length
- ▶ Side protect covers
- ▶ Quick clamping system for promecam type top tool
- ▶ Top tools hardened, grinded standard 835mm lengths, 66,6mm (1260)-105mm (1281) ( 400 ton and over ) high
- ▶ Bottom tools hardened, grinded standard 835 mm lengths, 60x60mm, 4 channels 16/22/35/50 mm (2067)
- ▶ Narrow table or T slot wide table
- ▶ CE conformity light barriers rear of pres
- ▶ Complete electrical switch board and control panel for 400V AC 3 Phase 50Hz

## ▶ Back Gauge



▶ Original Unimec 2 Axis X + R Back Gauge Standard

▶ Original Unimec 4 Axis X+R+Z1+Z2 Back Gauge Optional

▶ Original Unimec 6 Axis X1+X2+R1+R2+Z1+Z2 Back Gauge Optional

## ▶ Crowning (Anti-Deflections) System



▶ Original WILA 'Opposing wave' Manual Crowning System Standard

▶ Original WILA 'Opposing wave' Motorized Crowning System Optional  
\*(Standard according size of machine )

## ▶ Rear Side Safety



▶ Rear side protection cover

▶ Rear Light Barrier Standard

# Optional Equipments

- ▶ High Speed options, Approach speed, return speed up to 180 mm/second
- ▶ Cybelec ModEva 12's – 15's, 3 D colored graphical CNC control unit
- ▶ Delem 69, 3 D colored graphical CNC control unit
- ▶ M50 PCT, 3 D colored graphical CNC control unit
- ▶ Delem Profile W Software
- ▶ Original WILA 'Opposing wave' Motorized Crowning (Anti-deflections ) System
- ▶ X,R, Z1+Z2 4 axis back gauge
- ▶ X1+X2, R, Z1+Z2 5 axis back gauge
- ▶ X1+X2,R1+R2, Z1+Z2 6 axis back gauge
- ▶ X5 axis
- ▶ 1000mm X axis range (stroke )
- ▶ CE Conformity with AKAS Laser finger protections manual and safety PLC
- ▶ CE Conformity with AKAS Laser finger protections Motorized and safety PLC
- ▶ CE Conformity with LASERSAFE Laser finger protections and safety PLC
- ▶ DFS Laser Beams finger protections in front
- ▶ Light Barriers in front ( for Tandem applications)
- ▶ Extra back gauge fingers
- ▶ Extra front support arms
- ▶ WILA hydraulic or mechanic top tool clamping system
- ▶ WILA hydraulic or mechanic bottom tool clamping system
- ▶ Hydraulic Promecam type top tool clamping system
- ▶ American type compatible top tool clamping system
- ▶ Sheet Follower CNC controlled AP3+AP4 axis front support arms by servo Motorized
- ▶ Laser Angle Management System
- ▶ T slot on Table
- ▶ Heat Exchanger ( Oil Cooler )
- ▶ Special Color
- ▶ Extra back gauge fingers
- ▶ Extra front support arms
- ▶ Extra Control panel foot pedal
- ▶ ROL1 or ROL2- ROL4 top tool clamping systems
- ▶ Special stroke, Special throat
- ▶ 220-240V 60hz operating voltage
- ▶ 440-480V 60hz operating voltage
- ▶ 220-240V 60Hz and 440V-480V 60 Hz double operating voltage (by preliminary preparation)

## ▶ Safety



▶ DFS Laser Optional

▶ Manual Akas Laser Optional

▶ Motorized Akas Laser Optional

▶ LaserSafe Optional

▶ Light Barrier (Tandem) Optional

## ▶ Other Equipments



▶ Bottom and Top Tools Standard

▶ WILA Tool Clamping System Optional

▶ Sliding Front Support Arms Standard

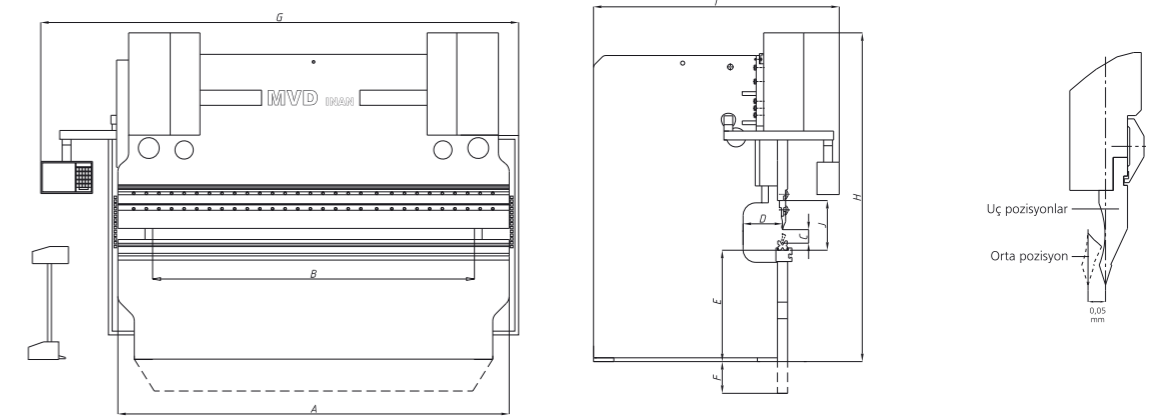
▶ Laser Angle Management System Optional

▶ ROL 2-ROL 4 Hydraulic Clamping Optional

▶ Special Throat Optional



# Technical Features



## Technical Table

| iBend C Series | Bending Power Force | Bending length | Distance Between Columns | Stroke | Daylight | Throat | Table Height | Table Height Below Ground | Backgauge Speed |              |              | Backgauge Stroke | Length | Height | Width  | Crowning |           | Rapid Approach Speed |          | Pressing Speed | Return Speed |          | Hydraulic tank | Main motor | Weight |        |        |
|----------------|---------------------|----------------|--------------------------|--------|----------|--------|--------------|---------------------------|-----------------|--------------|--------------|------------------|--------|--------|--------|----------|-----------|----------------------|----------|----------------|--------------|----------|----------------|------------|--------|--------|--------|
|                | ton.                | A              | B                        | C      | J        | D      | E            | F                         | X Axis          | X-R Axis     |              | X Axis           | G      | H      | L      | Manual   | Motorized | Standart             | Optional | mm/sec         | Standart     | Optional | Lt             | Kw.        | kg     |        |        |
|                |                     | mm.            | mm.                      | mm.    | mm.      | mm.    | mm.          | mm.                       | X Axis Speed    | X Axis Speed | R Axis Speed | mm.              | mm.    | mm.    | mm/sec |          |           |                      |          |                |              |          |                |            |        | mm/sec | mm/sec |
|                |                     |                |                          |        |          |        |              |                           | (mm/s)          | (mm/s)       | (mm/s)       |                  |        |        |        |          |           |                      |          |                |              |          |                |            |        |        |        |
| C40-1250       | 40                  | 1250           | 1100                     | 310    | 515      | 500    | 870          | xx                        | 500             | 500          | 300          | 750              | 2750   | 2500   | 2200   | -        | -         | 120                  | 180      | 10             | 100          | 150      | 95             | 4          | 3450   |        |        |
| C60-2100       | 60                  | 2100           | 1600                     | 310    | 515      | 500    | 880          | xx                        | 500             | 500          | 300          | 750              | 3600   | 2500   | 2300   | -        | -         | 120                  | 180      | 11             | 120          | 180      | 110            | 4          | 5250   |        |        |
| C60-2600       | 60                  | 2600           | 2150                     | 310    | 515      | 500    | 880          | xx                        | 500             | 500          | 300          | 750              | 4150   | 2500   | 2350   | Standart | Optional  | 120                  | 180      | 11             | 120          | 180      | 110            | 5,5        | 5700   |        |        |
| C100-2600      | 100                 | 2600           | 2150                     | 310    | 515      | 500    | 880          | xx                        | 500             | 500          | 300          | 750              | 4150   | 2530   | 2350   | Standart | Optional  | 120                  | 180      | 11             | 120          | 180      | 110            | 7,5        | 6250   |        |        |
| C100-3100      | 100                 | 3100           | 2600                     | 310    | 515      | 500    | 900          | xx                        | 500             | 500          | 300          | 750              | 4750   | 2550   | 2400   | Standart | Optional  | 120                  | 180      | 11             | 120          | 180      | 180            | 7,5        | 6800   |        |        |
| C135-3100      | 135                 | 3100           | 2600                     | 310    | 515      | 500    | 920          | xx                        | 500             | 500          | 300          | 750              | 4750   | 2600   | 2700   | Standart | Optional  | 120                  | 180      | 11             | 120          | 180      | 180            | 11         | 8050   |        |        |
| C175-3100      | 175                 | 3100           | 2600                     | 310    | 515      | 500    | 920          | xx                        | 500             | 500          | 300          | 750              | 4750   | 2700   | 2875   | Standart | Optional  | 120                  | 180      | 11             | 120          | 180      | 180            | 15         | 9150   |        |        |
| C220-3100      | 220                 | 3100           | 2600                     | 310    | 515      | 500    | 930          | xx                        | 500             | 500          | 300          | 750              | 4800   | 2830   | 2900   | Standart | Optional  | 110                  | 160      | 11             | 120          | 180      | 290            | 18,5       | 11200  |        |        |
| C270-3100      | 270                 | 3100           | 2600                     | 310    | 515      | 500    | 950          | xx                        | 500             | 500          | 300          | 750              | 4850   | 2950   | 3000   | Standart | Optional  | 100                  | 150      | 11             | 120          | 170      | 290            | 22         | 13450  |        |        |
| C320-3100      | 320                 | 3100           | 2600                     | 310    | 515      | 500    | 970          | xx                        | 500             | 500          | 300          | 750              | 4850   | 3000   | 3050   | Standart | Optional  | 100                  | 140      | 11             | 120          | 170      | 290            | 22         | 14600  |        |        |
| C135-3700      | 135                 | 3700           | 3200                     | 310    | 515      | 500    | 930          | xx                        | 500             | 500          | 300          | 750              | 5450   | 2700   | 2700   | Standart | Optional  | 120                  | 180      | 11             | 120          | 180      | 180            | 11         | 8950   |        |        |
| C175-3700      | 175                 | 3700           | 3200                     | 310    | 515      | 500    | 940          | xx                        | 500             | 500          | 300          | 750              | 5450   | 2900   | 2875   | Standart | Optional  | 120                  | 180      | 11             | 120          | 180      | 180            | 15         | 10250  |        |        |
| C220-3700      | 220                 | 3700           | 3200                     | 310    | 515      | 500    | 940          | xx                        | 500             | 500          | 300          | 750              | 5450   | 3000   | 2900   | Standart | Optional  | 110                  | 160      | 11             | 120          | 180      | 290            | 18,5       | 12400  |        |        |
| C320-3700      | 320                 | 3700           | 3200                     | 310    | 515      | 500    | 970          | xx                        | 500             | 500          | 300          | 750              | 5450   | 3100   | 3100   | Standart | Optional  | 100                  | 140      | 11             | 120          | 170      | 290            | 22         | 15500  |        |        |
| C135-4100      | 135                 | 4100           | 3200                     | 310    | 515      | 500    | 930          | xx                        | 500             | 500          | 300          | 750              | 5850   | 2700   | 2700   | Standart | Optional  | 120                  | 180      | 11             | 120          | 180      | 180            | 11         | 9950   |        |        |
| C175-4100      | 175                 | 4100           | 3200                     | 310    | 515      | 500    | 940          | xx                        | 500             | 500          | 300          | 750              | 5850   | 2900   | 2875   | Standart | Optional  | 120                  | 180      | 11             | 120          | 180      | 180            | 15         | 11400  |        |        |
| C220-4100      | 220                 | 4100           | 3200                     | 310    | 515      | 500    | 940          | xx                        | 500             | 500          | 300          | 750              | 5850   | 3000   | 2900   | Standart | Optional  | 110                  | 160      | 11             | 120          | 180      | 290            | 18,5       | 13350  |        |        |
| C270-4100      | 270                 | 4100           | 3200                     | 310    | 515      | 500    | 950          | xx                        | 500             | 500          | 300          | 750              | 5850   | 3100   | 3000   | Standart | Optional  | 100                  | 150      | 11             | 120          | 170      | 290            | 22         | 15050  |        |        |
| C320-4100      | 320                 | 4100           | 3200                     | 310    | 515      | 500    | 970          | xx                        | 500             | 500          | 300          | 750              | 5850   | 3150   | 3050   | Standart | Optional  | 100                  | 140      | 11             | 120          | 170      | 290            | 22         | 16700  |        |        |
| C400-4100      | 400                 | 4100           | 3200                     | 310    | 550      | 500    | 1250         | xx                        | 500             | 500          | 300          | 750              | 5850   | 3200   | 3250   | -        | Standart  | 90                   | 120      | 10             | 90           | 130      | 370            | 30         | 20800  |        |        |
| C500-4100      | 500                 | 4100           | 3200                     | 310    | 550      | 500    | 850          | 685                       | 500             | 500          | 300          | 750              | 5850   | 3250   | 3250   | -        | Standart  | 80                   | 100      | 10             | 80           | 120      | 550            | 45         | 26100  |        |        |
| C220-4300      | 220                 | 4300           | 3700                     | 310    | 515      | 500    | 950          | XX                        | 500             | 500          | 300          | 750              | 6000   | 3100   | 2950   | Standart | Optional  | 110                  | 160      | 11             | 120          | 180      | 290            | 18,5       | 14450  |        |        |
| C270-4300      | 270                 | 4300           | 3700                     | 310    | 515      | 500    | 950          | XX                        | 500             | 500          | 300          | 750              | 6000   | 3150   | 3050   | Standart | Optional  | 100                  | 150      | 11             | 120          | 170      | 290            | 22         | 15950  |        |        |
| C320-4300      | 320                 | 4300           | 3700                     | 310    | 515      | 500    | 970          | XX                        | 500             | 500          | 300          | 750              | 6000   | 3250   | 3100   | Standart | Optional  | 100                  | 140      | 11             | 120          | 170      | 290            | 22         | 17550  |        |        |
| C220-5100      | 220                 | 5100           | 4200                     | 310    | 515      | 500    | 970          | XX                        | 500             | 500          | 300          | 750              | 6900   | 3200   | 3000   | Standart | Optional  | 110                  | 160      | 11             | 120          | 160      | 290            | 18,5       | 18300  |        |        |
| C270-5100      | 270                 | 5100           | 4200                     | 310    | 515      | 500    | 970          | XX                        | 500             | 500          | 300          | 750              | 6900   | 3250   | 3100   | Standart | Optional  | 110                  | 150      | 11             | 120          | 150      | 290            | 22         | 20800  |        |        |
| C320-5100      | 320                 | 5100           | 4200                     | 310    | 515      | 500    | 1000         | XX                        | 500             | 500          | 300          | 750              | 6900   | 3300   | 3100   | Standart | Optional  | 100                  | 140      | 11             | 120          | 150      | 290            | 22         | 23200  |        |        |
| C400-5100      | 400                 | 5100           | 4200                     | 310    | 550      | 500    | 1050         | XX                        | 500             | 500          | 300          | 750              | 6900   | 3400   | 3150   | -        | Standart  | 90                   | 120      | 10             | 90           | 110      | 410            | 30         | 26000  |        |        |
| C220-6100      | 220                 | 6100           | 5100                     | 310    | 515      | 500    | 1050         | xx                        | 500             | 500          | 300          | 750              | 8000   | 3100   | 3000   | Standart | Optional  | 110                  | 160      | 11             | 120          | 150      | 400            | 18,5       | 24500  |        |        |
| C320-6100      | 320                 | 6100           | 5100                     | 310    | 515      | 500    | 1100         | xx                        | 500             | 500          | 300          | 750              | 8000   | 3150   | 3100   | -        | Standart  | 100                  | 140      | 11             | 120          | 140      | 400            | 22         | 29450  |        |        |
| C400-6100      | 400                 | 6100           | 5100                     | 310    | 550      | 500    | 1150         | xx                        | 500             | 500          | 300          | 750              | 8050   | 3650   | 3200   | -        | Standart  | 90                   | 120      | 10             | 90           | 110      | 400            | 30         | 34500  |        |        |
| C500-6100      | 500                 | 6100           | 5100                     | 310    | 550      | 500    | 900          | 1450                      | 500             | 500          | 300          | 750              | 8100   | 3950   | 3200   | -        | Standart  | 80                   | 100      | 10             | 80           | 100      | 550            | 37         | 40000  |        |        |
| C600-6100      | 600                 | 6100           | 5100                     | 360    | 600      | 600    | 900          | 1500                      | 500             | 500          | 300          | 750              | 8150   | 4300   | 3300   | -        | Standart  | 75                   | -        | 10             | 90           | -        | 550            | 45         | 46000  |        |        |
| C800-6100      | 800                 | 6100           | 5100                     | 410    | 650      | 600    | 900          | 1550                      | 500             | 500          | 300          | 750              | 8200   | 4500   | 3500   | -        | Standart  | 70                   | -        | 9              | 90           | -        | 640            | 55         | 58000  |        |        |
| C1000-6100     | 1000                | 6100           | 5100                     | 510    | 750      | 600    | 900          | 1700                      | 500             | 500          | 300          | 750              | 8250   | 4750   | 3700   | -        | Standart  | 65                   | -        | 8              | 90           | -        | 1000           | 55         | 72000  |        |        |

Technical specifications are subject to change without notice.

Special capacity machines can be manufactured upon request.

# iBend NC Series

## CONVENTIONAL NC HYDRAULIC PRESS BRAKE

### Standard Equipments

- ▶ Y, X Axes
- ▶ NC control unit
- ▶ Elgo P40
- ▶ Original Hoerbig or Rexroth Hydraulic Systems with CE norms compatible
- ▶ Schneider-Telemecanique electrical components, with ventilations electrical cabinet
- ▶ Control panel and foot pedal with CE norms compatible
- ▶ User friendly ergonomically movable control panel
- ▶ Motorized programmable back gauge
- ▶ Front Support Arms
- ▶ Back gauge X axis range (stroke) 500mm
- ▶ Manual movable back gauge fingers along of bending length
- ▶ Side protect covers
- ▶ Promecam type top tool clamping system
- ▶ Top tools hardened, grinded standard 835mm lengths, 66,6mm (1260)-105mm (1281) ( 400 ton and over ) high
- ▶ Bottom tools hardened, grinded standard 835 mm lengths, 60x60mm, 4 channels 16/22/35/50 mm (2067)
- ▶ Narrow Table or double sided T slot wide table
- ▶ Complete electrical switch board and control panel for 400V AC 3 Phase 50Hz



### Optional Equipments

- ▶ Cybelec Touch 6 control unit (Touch Screen colored )
- ▶ Original WILA 'Opposing wave' Manual Crowning (Anti-deflections ) System
- ▶ 750mm or 1000mm X axis range (stroke)
- ▶ CE Conformity with AKAS Laser finger protections manual and safety PLC
- ▶ DFS Laser Beams finger protections in front
- ▶ Quick Clamping promecam type top tool system
- ▶ American type compatible top tool clamping system
- ▶ Movable Sliding Front support arms
- ▶ Extra backgauge fingers
- ▶ Extra front support arms
- ▶ Heat Exchanger ( Oil Cooler )
- ▶ CE conformity light barriers rear of pres
- ▶ CE conformity Light Barriers in front ( for Tandem applications )
- ▶ Extra backgauge fingers
- ▶ Extra front support arms
- ▶ Heat Exchanger ( Oil Cooler )
- ▶ Special Color
- ▶ ROL1 or ROL2- ROL4 top tool clamping systems
- ▶ 220-240V 60hz operating voltage
- ▶ 440-480V 60hz operating voltage
- ▶ 220-240V 60Hz and 440V-480V 60 Hz double operating voltage (by preliminary preparation)

### ▶ Controller



▶ Elgo P40 Standard



▶ Cybelec Touch 6 Optional

### ▶ Technical Table

| NC Series | Bending Power Force | Bending Length | Distance Between Columns | Stroke | Daylight | Throat | Table Height | Table Height Below Ground | Length | Height | Width | Rapid Approach Speed | *Pressing speed | Return Speed | Main motor | Weight |
|-----------|---------------------|----------------|--------------------------|--------|----------|--------|--------------|---------------------------|--------|--------|-------|----------------------|-----------------|--------------|------------|--------|
|           | ton.                | mm.            | mm.                      | mm.    | mm.      | mm.    | mm.          | mm.                       | mm.    | mm.    | mm.   | mm/s                 | mm/s            | mm/s         | kW         | Kg     |
| NC 25/090 | 90                  | 2600           | 2150                     | 140    | 345      | 300    | 880          | xx                        | 4350   | 2300   | 2200  | 80                   | 9               | 80           | 5,5        | 5500   |
| NC 30/090 | 90                  | 3100           | 2550                     | 140    | 345      | 300    | 900          | xx                        | 4750   | 2300   | 2200  | 80                   | 9               | 80           | 5,5        | 6500   |
| NC 30/120 | 120                 | 3100           | 2550                     | 155    | 360      | 300    | 920          | xx                        | 4750   | 2450   | 2500  | 80                   | 9               | 80           | 11         | 7500   |
| NC 30/160 | 160                 | 3100           | 2550                     | 180    | 385      | 300    | 920          | xx                        | 4750   | 2550   | 2675  | 80                   | 9               | 80           | 15         | 8500   |
| NC 30/200 | 200                 | 3100           | 2550                     | 200    | 405      | 300    | 920          | xx                        | 4800   | 2650   | 2700  | 100                  | 10              | 100          | 18,5       | 10000  |
| NC 30/225 | 225                 | 3100           | 2550                     | 200    | 405      | 300    | 930          | xx                        | 4800   | 2680   | 2700  | 100                  | 10              | 100          | 18,5       | 11000  |
| NC 30/260 | 260                 | 3100           | 2550                     | 250    | 455      | 400    | 930          | xx                        | 4850   | 2750   | 2800  | 80                   | 8               | 80           | 18,5       | 13000  |
| NC 30/300 | 300                 | 3100           | 2550                     | 250    | 455      | 400    | 940          | xx                        | 4850   | 2770   | 2850  | 80                   | 8               | 80           | 18,5       | 13500  |
| NC 30/400 | 400                 | 3100           | 2550                     | 300    | 505      | 500    | 900          | 350                       | 4950   | 3000   | 3050  | 80                   | 8               | 70           | 30         | 20000  |
| NC 30/500 | 500                 | 3100           | 2550                     | 300    | 555      | 500    | 900          | 450                       | 5000   | 3200   | 3150  | 80                   | 7               | 70           | 30         | 23000  |
| NC 30/600 | 600                 | 3100           | 2550                     | 350    | 600      | 500    | 900          | 550                       | 5050   | 3400   | 3300  | 80                   | 7               | 70           | 45         | 28000  |
| NC 35/120 | 120                 | 3600           | 3100                     | 150    | 355      | 300    | 930          | xx                        | 5350   | 2500   | 2500  | 80                   | 9               | 80           | 11         | 9000   |
| NC 35/160 | 160                 | 3600           | 3100                     | 180    | 385      | 300    | 940          | xx                        | 5350   | 2750   | 2675  | 80                   | 8               | 80           | 15         | 10000  |
| NC 35/225 | 225                 | 3600           | 3100                     | 200    | 405      | 300    | 940          | xx                        | 5350   | 2850   | 2700  | 100                  | 10              | 100          | 18,5       | 12500  |
| NC 35/260 | 260                 | 3600           | 3100                     | 250    | 455      | 400    | 950          | xx                        | 5400   | 2870   | 2800  | 80                   | 8               | 80           | 18,5       | 14000  |
| NC 35/300 | 300                 | 3600           | 3100                     | 250    | 455      | 400    | 970          | xx                        | 5400   | 2900   | 2850  | 80                   | 8               | 80           | 18,5       | 14500  |
| NC 40/120 | 120                 | 4100           | 3100                     | 150    | 355      | 300    | 930          | xx                        | 5600   | 2470   | 2500  | 80                   | 9               | 80           | 11         | 10000  |
| NC 40/160 | 160                 | 4100           | 3100                     | 180    | 385      | 300    | 940          | xx                        | 5600   | 2750   | 2675  | 80                   | 9               | 80           | 15         | 11500  |
| NC 40/200 | 200                 | 4100           | 3100                     | 200    | 405      | 300    | 940          | xx                        | 5600   | 2820   | 2700  | 100                  | 10              | 100          | 18,5       | 12500  |
| NC 40/225 | 225                 | 4100           | 3100                     | 200    | 405      | 300    | 940          | xx                        | 5600   | 2850   | 2700  | 100                  | 10              | 100          | 18,5       | 13500  |
| NC 40/260 | 260                 | 4100           | 3100                     | 250    | 455      | 400    | 950          | xx                        | 5650   | 2870   | 2800  | 80                   | 8               | 80           | 18,5       | 15000  |
| NC 40/300 | 300                 | 4100           | 3100                     | 250    | 455      | 400    | 970          | xx                        | 5650   | 2900   | 2850  | 80                   | 8               | 80           | 18,5       | 15500  |
| NC 40/400 | 400                 | 4100           | 3100                     | 300    | 505      | 500    | 900          | 500                       | 5850   | 3100   | 3050  | 70                   | 8               | 80           | 30         | 24000  |
| NC 40/500 | 500                 | 4100           | 3100                     | 300    | 555      | 500    | 900          | 650                       | 5900   | 3250   | 3150  | 70                   | 8               | 80           | 30         | 29000  |
| NC 40/600 | 600                 | 4100           | 3100                     | 350    | 600      | 500    | 900          | 750                       | 5900   | 3350   | 3300  | 70                   | 7               | 80           | 45         | 33000  |
| NC 60/200 | 200                 | 6100           | 4100                     | 200    | 405      | 500    | 1040         | xx                        | 7950   | 3050   | 2750  | 100                  | 10              | 100          | 18,5       | 23000  |
| NC 60/260 | 260                 | 6100           | 4100                     | 250    | 455      | 500    | 900          | 900                       | 8000   | 3350   | 2950  | 80                   | 8               | 80           | 18,5       | 28000  |
| NC 60/300 | 300                 | 6100           | 4100                     | 250    | 455      | 500    | 900          | 950                       | 8000   | 3400   | 3000  | 80                   | 8               | 80           | 18,5       | 30000  |
| NC 60/400 | 400                 | 6100           | 4100                     | 300    | 605      | 500    | 900          | 1150                      | 8050   | 3650   | 3050  | 80                   | 8               | 70           | 30         | 40000  |
| NC 60/500 | 500                 | 6100           | 5100                     | 300    | 605      | 500    | 900          | 1450                      | 8100   | 3950   | 3150  | 80                   | 7,5             | 70           | 30         | 45000  |
| NC 60/600 | 600                 | 6100           | 5100                     | 350    | 655      | 500    | 900          | 1500                      | 8150   | 4300   | 3300  | 80                   | 6               | 60           | 45         | 52000  |

Technical specifications are subject to change without notice. Special capacity machines can be manufactured upon request.

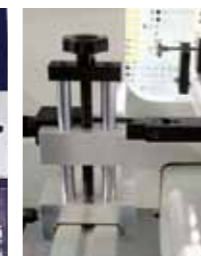
### ▶ Equipments



▶ DFS Laser Optional



▶ Manual Akas Laser Optional



▶ Gauge Fingers



▶ Front Support Arm



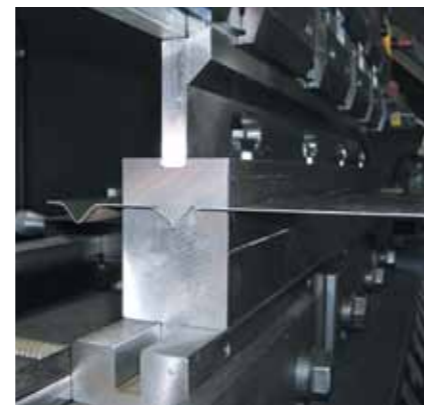
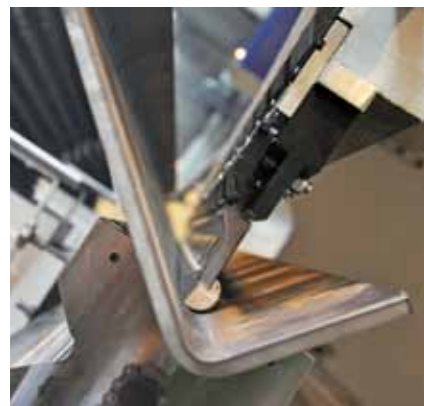
▶ Back Gauge



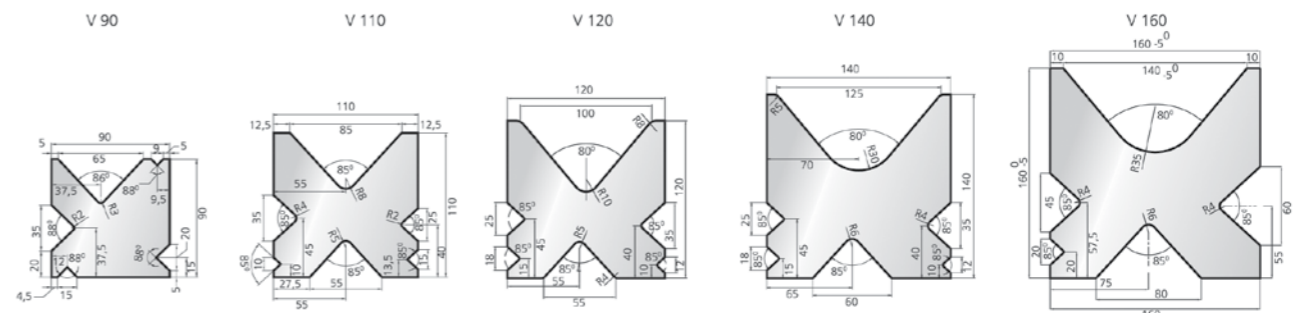
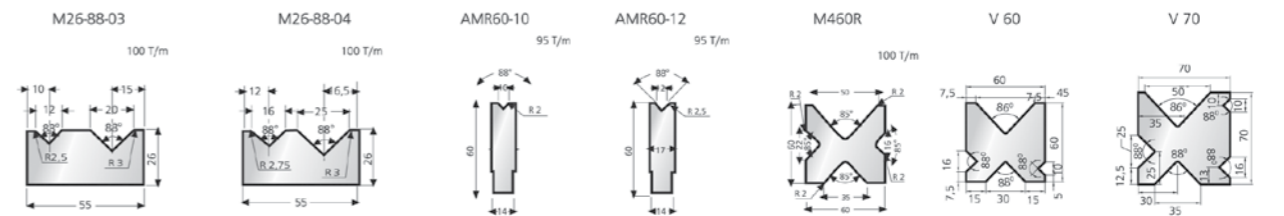
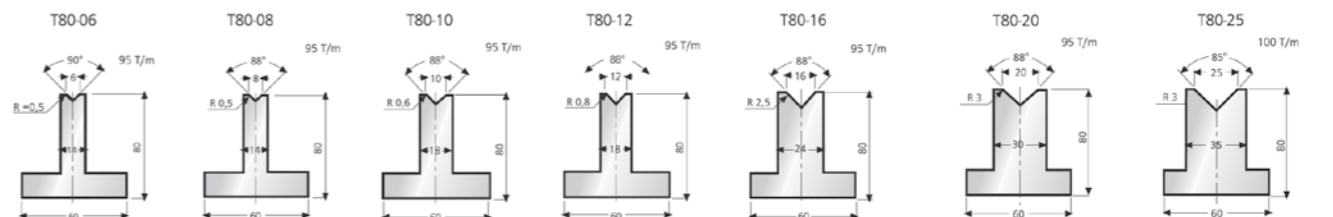
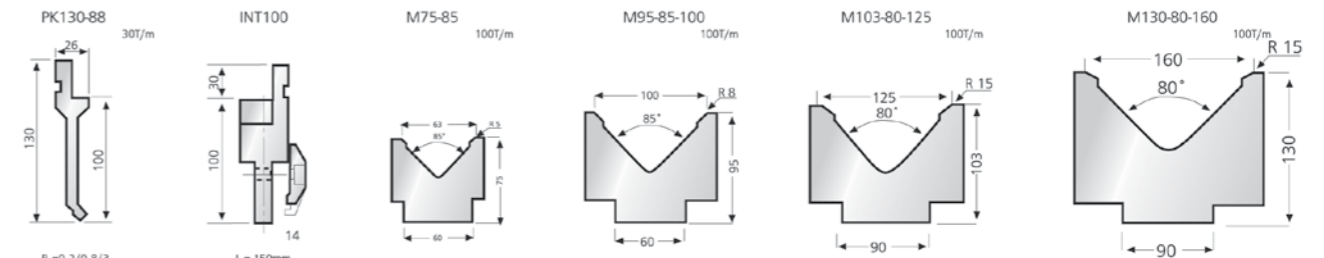
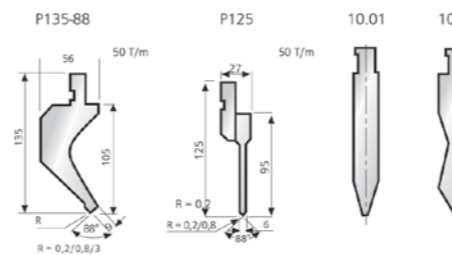
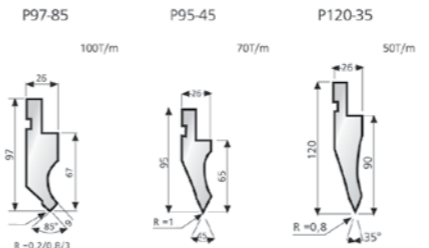
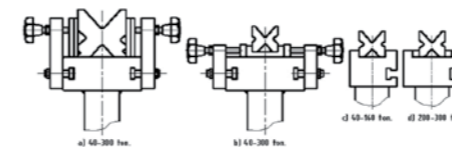
▶ Original Wila Brand Manual Crowning (Anti Deflections) Optional



# Special Applications



# Tools



### Bending Chart

| VRB | Sheet Metal Thickness (mm) |      |     |      |      |      |      |      |    |     |     |     |     |     |
|-----|----------------------------|------|-----|------|------|------|------|------|----|-----|-----|-----|-----|-----|
|     | 0.5                        | 0.8  | 1   | 1.2  | 1.5  | 2    | 2.5  | 3    | 4  | 5   | 6   |     |     |     |
| 4   | 0.7                        | 2.6  | 4   | 10.5 |      |      |      |      |    |     |     |     |     |     |
| 6   | 0.9                        | 3.9  | 2.6 | 6.9  | 10.6 | 15.3 |      |      |    |     |     |     |     |     |
| 8   | 1.5                        | 5.2  | 2   | 5.5  | 8    | 11.5 | 18   |      |    |     |     |     |     |     |
| 10  | 1.7                        | 6.5  | 4.1 | 6.5  | 9.5  | 14.5 | 26   |      |    |     |     |     |     |     |
| 12  | 2                          | 7.8  |     | 5.5  | 8    | 12   | 21.5 | 33.5 |    |     |     |     |     |     |
| 18  | 2.7                        | 10.4 |     |      | 6    | 9    | 16   | 25   | 36 |     |     |     |     |     |
| 20  | 3.4                        | 13   |     |      | 7.5  | 13   | 20   | 29   | 52 |     |     |     |     |     |
| 24  | 3.9                        | 15.6 |     |      | 10.6 | 17   | 24   | 43   | 67 |     |     |     |     |     |
| 30  | 5                          | 20   |     |      | 14   | 19   | 34   | 54   | 77 |     |     |     |     |     |
| 35  | 6                          | 23   |     |      |      | 17   | 30   | 46   | 66 |     |     |     |     |     |
| 40  | 7                          | 26   |     |      |      | 15   | 26   | 40   | 58 | 103 |     |     |     |     |
| 50  | 8.5                        | 32   |     |      |      |      | 21   | 32   | 46 | 82  | 120 |     |     |     |
| 65  | 9                          | 36   |     |      |      |      |      | 30   | 42 | 75  | 117 |     |     |     |
| 90  | 10                         | 39   |     |      |      |      |      | 27   | 39 | 69  | 107 |     |     |     |
| 70  | 11.7                       | 45   |     |      |      |      |      |      | 33 | 59  | 92  | 132 |     |     |
| 80  | 13.5                       | 52   |     |      |      |      |      |      | 29 | 52  | 80  | 116 | 180 |     |
| 95  | 15                         | 58   |     |      |      |      |      |      | 46 | 71  | 103 | 160 |     |     |
| 103 | 17                         | 65   |     |      |      |      |      |      | 41 | 64  | 93  | 144 |     |     |
| 120 | 20                         | 78   |     |      |      |      |      |      |    | 54  | 77  | 120 |     |     |
| 140 | 24                         | 91   |     |      |      |      |      |      |    |     | 66  | 103 | 183 |     |
| 160 | 25                         | 104  |     |      |      |      |      |      |    |     |     | 90  | 160 | 250 |
| 203 | 31                         | 130  |     |      |      |      |      |      |    |     |     | 72  | 128 | 200 |
| 230 | 39                         | 163  |     |      |      |      |      |      |    |     |     | 102 | 160 | 230 |
| 300 | 47                         | 195  |     |      |      |      |      |      |    |     |     | 85  | 133 | 192 |

450 N/mm<sup>2</sup> (C=1)  
P (T/m)

C P=PxC  
(N/mm<sup>2</sup>)



www.mvd.com.tr



### MVD İnan Takım Tezgahları Sanayi A.Ş.

**ADRESS** : Konya Organize Sanayi Bölgesi Evrenköy Cad.  
1 Nolu Sokak No: 3 42050 Konya / Türkiye  
**TELEPHONE** : +90 332 239 22 33 (pbx)  
**FAX** : +90 332 239 21 21  
**GPS** : 37° 58' 59" N, 32° 36' 34" E  
**WEB** : www.mvd.com.tr  
**E-MAIL** : info@mvd.com.tr