

Ref. : VOC4241CM-B04.pas

Rev. : Initial

Date : 17/04/2018

Page : 1/1

RESILIENT SEAT GATE VALVE WITH ELECTRIC ACTUATOR BERNARD

VOC 4241CM-B04



APPLICATION

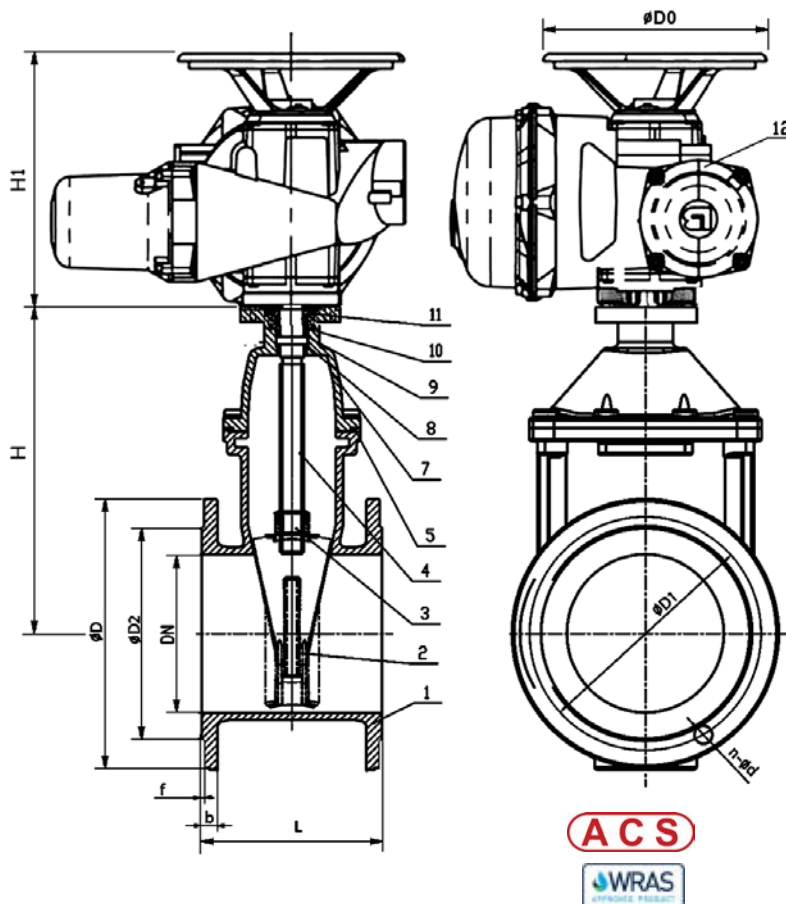
General use : Water supply, fire protection, irrigation, water treatment.

GENERAL CHARACTERISTICS

Range : from DN40 to DN400.
Non rising stem.
Clockwise to close.
No zone of retention.
Low head losses.
With electric actuator BERNARD.

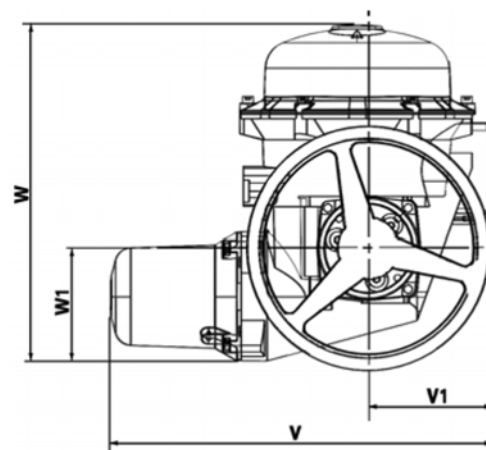
CONSTRUCTION

12	1	Electric actuator		
11	1	Screw	Stainless steel AISI 304	
10		Seal	Brass	
9	1	O ring	EPDM	
8		Wear resistant gasket	EPDM	
7		Bonnet	Ductile iron	DIN: GGG 50 ASTM: A536 65-45-12 BS: 1563 EN-JS1050
6		Bolt	Stainless steel AISI 304	
5	1	Sealing gasket	EPDM	
4	1	Stem	Stainless steel 2Cr13 (AISI420)	
3	1	Stem nut	Brass	
2	1	Wedge	EPDM coated ductile iron	DIN: GGG 50 ASTM: A536 65-45-12 BS: 1563 EN-JS1050
1	1	Body	Ductile iron	DIN: GGG 50 ASTM: A536 65-45-12 BS: 1563 EN-JS1050
Pos.	Q-ty	Description	Material	



DIMENSIONS

DN		L	H	ØD1			ØD2	f	b	n-Ød		BERNARD actuator						Weight (kg)	
mm	inch			PN10	PN16					PN10	PN16	Actuator reference	ØD0	V	V1	W	W1		H1
40	1 1/2"	140	220	150	110	110	84	3	19	4 x Ø19	4 x Ø19	ST6	300	472	151	446	150	341	36
50	2"	150	230	165	125	125	99	3	19	4 x Ø19	4 x Ø19	ST6	300	472	151	446	150	341	38
65	2 1/2"	170	265	185	145	145	118	3	19	4 x Ø19	4 x Ø19	ST6	300	472	151	446	150	341	40
80	3"	180	290	200	160	160	132	3	19	8 x Ø19	8 x Ø19	ST14	300	479	151	424	150	375	50
100	4"	190	335	220	180	180	156	3	19	8 x Ø19	8 x Ø19	ST14	300	479	151	424	150	375	55
125	5"	200	380	250	210	210	184	3	19	8 x Ø19	8 x Ø19	ST14	300	479	151	424	150	375	63
150	6"	210	415	285	240	240	211	3	19	8 x Ø23	8 x Ø23	ST14	300	469	151	424	150	375	71
200	8"	230	510	340	295	295	266	3	20	8 x Ø23	12 x Ø23	ST30	450	659	225	544	225	450	118
250	10"	250	600	400	350	355	319	3	22	12 x Ø23	12 x Ø28	ST30	450	659	225	544	225	450	139
300	12"	270	690	455	400	410	370	4	24,5	12 x Ø23	12 x Ø28	ST30	450	659	225	544	225	450	172
350	14"	290	790	520	460	470	429	4	26,5	16 x Ø23	16 x Ø28	ST30	450	659	225	544	225	450	239
400	16"	310	855	580	515	525	480	4	28	16 x Ø28	16 x Ø31	ST14 + SB-VOM	300	624	95	535	225	355	277



WORKING CONDITIONS

Maximum working pressure : 16 bar.

Maximum working temperature: +80°C

STANDARDS

Face to face according to DIN 3352 / F4.
Tests according to standard EN1074-2.
Flange connection following EN 1092-2 ISO PN10/16.
Certificat of health conformity n° 16 ACC LY 039.
WRAS certificate n° 1606373.