

WAFER TYPE SWING CHECK VALVE

TECHNICAL PASSPORT

SINGLE PLATE CHECK VALVE STAINLESS STEEL BODY BETWEEN FLANGES

CB 6441

APPLICATION

The swing check valve TECOFI is suitable for non-loaded fluid transfer applications under regular non-pulsating conditions.



Area of use: water distribution, water treatment, water supply, air conditioning and heating, irrigation, etc.

GENERAL CHARACTERISTICS

Range: from DN40 to DN600.

- Design according to ASME B16.34.
- Tightness guaranteed by O-ring attached to the body.
- Mounting between.
- Robust, lightweight and economical construction
- Small face to face dimension
- Easy mounting, requiring no maintenance.
- Low pressure losses.
- Horizontal pipe mounting with lifting ring facing upwards and vertical piping
- Flow direction is indicated on the body by an arrow.



STANDARDS

Design	Design according to standard EN 16767. Meets the requirements of European Directive 2014/68/UE: «Equipment under pressure» product excluded (article 1§2.b)
Face to face	Face to face according to standard E 29-377 tab 2 serie FR, except DN 200 : serie FR variant ISO PN 16.
Connection	Mounting between ISO PN10/16 flanges, except DN350 (only PN16)
Tests	Pressure test according to standards EN12266-1, DIN 3230, BS 5154 and ISO 5208: - Body : 24 bar - Seat : 17.5 bar

PRODUCTS APPROVALS



Tecofi France

83 rue Marcel Mérieux - 69960 Corbas
Tél. +33 (0)4 72 79 05 79 - Fax. +33 (0)4 78 90 19 19
E-mail : sales@tecofi.fr - www.tecofi.fr

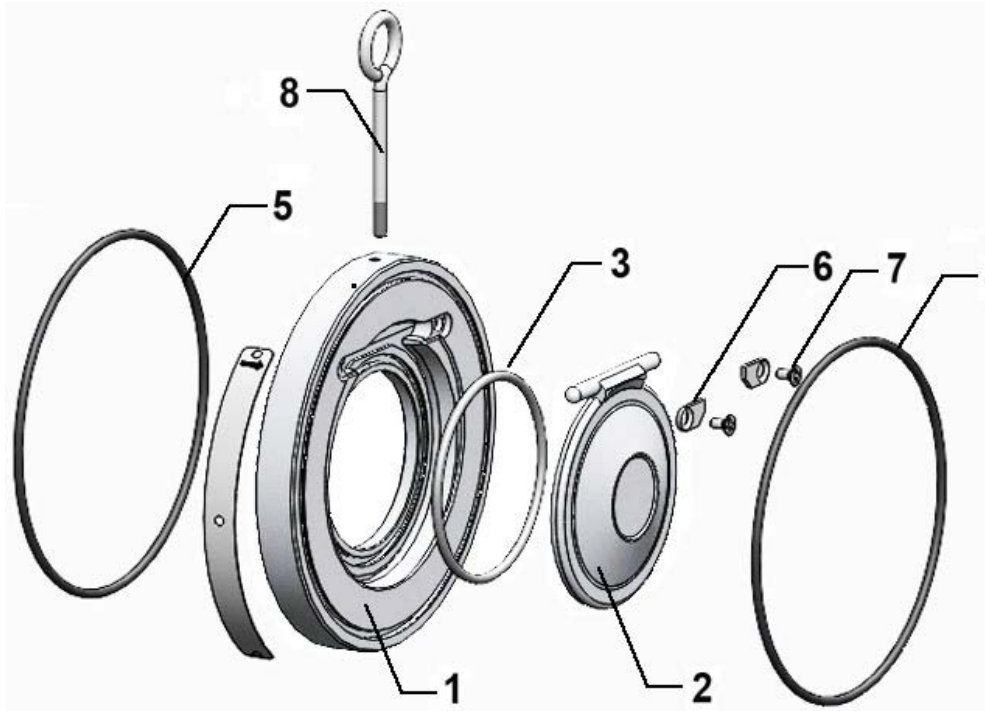


WAFER TYPE SWING CHECK VALVE

TECHNICAL PASSPORT

CB 6441

CONSTRUCTION



Pos.	Q-ty	Description	Material	Equivalences		
				DIN	ASTM	BS
1	1	Body	Stainless steel 316 GX5CrNiMo 19-11-2	X5CrNiMo18 10	A 182 AISI 316	970 316 S16
2	1	Plate	Stainless steel 316 GX5CrNiMo 19-11-2	X5CrNiMo18 10	A 182 AISI 316	970 316 S16
3	1	Seat	FPM (Type Viton®)			
4	1	O-ring	FPM (Type Viton®)			
5	1	O-ring	FPM (Type Viton®)			
6	2	Retainer	Stainless steel 316 GX5CrNiMo 19-11-2	X5CrNiMo18 10	A 182 AISI 316	970 316 S16
7	2	Screw	A2 Class C70			
8	1	Lifting ring	Zinc plated steel			
9	1	Nameplate	Aluminium			

Tecofi France

83 rue Marcel Mérieux - 69960 Corbas
Tél. +33 (0)4 72 79 05 79 - Fax. +33 (0)4 78 90 19 19
E-mail : sales@tecofi.fr - www.tecofi.fr



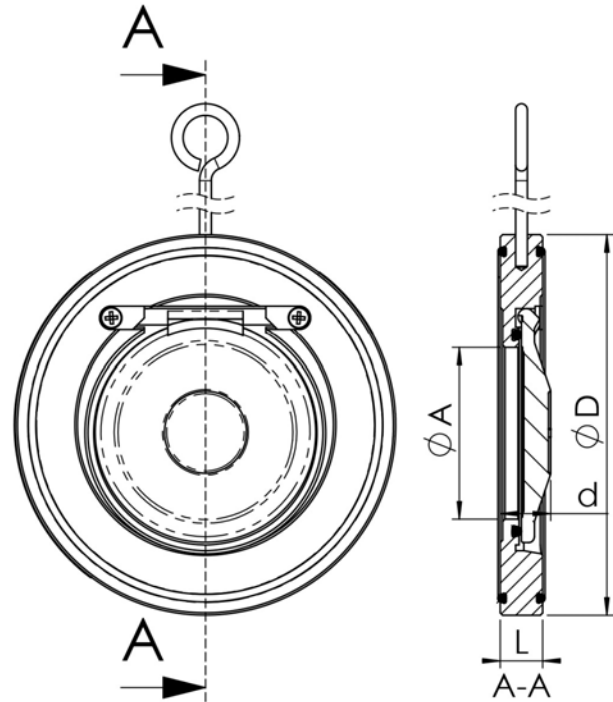
WAFER TYPE SWING CHECK VALVE

TECHNICAL PASSPORT

CB 6441

DIMENSIONS

DN		L	Ø A	Ø D	d	Weight (kg)
mm	inch					
40	1"1/2	16	22	94	14	0.75
50	2"	16	32	109	15	0.97
65	2"1/2	16	43	129	16	1.34
80	3"	16	56	144	16.5	1.6
100	4"	16	73	164	17	1.99
125	5"	16	95	195	17.5	2.77
150	6"	19	116	221	20.5	4.06
200	8"	22	156	276	25.5	7.11
250	10"	32	200	330	40.5	14.9
300	12"	38	235	380	42.5	21.8
350	14"	38	280	444	49	30.1
400	16"	44	316	491	56.5	43.5
450	18"	50	360	550	65.5	68
500	20"	56	405	610	73.5	93
600	24"	62	486	724	84.5	139



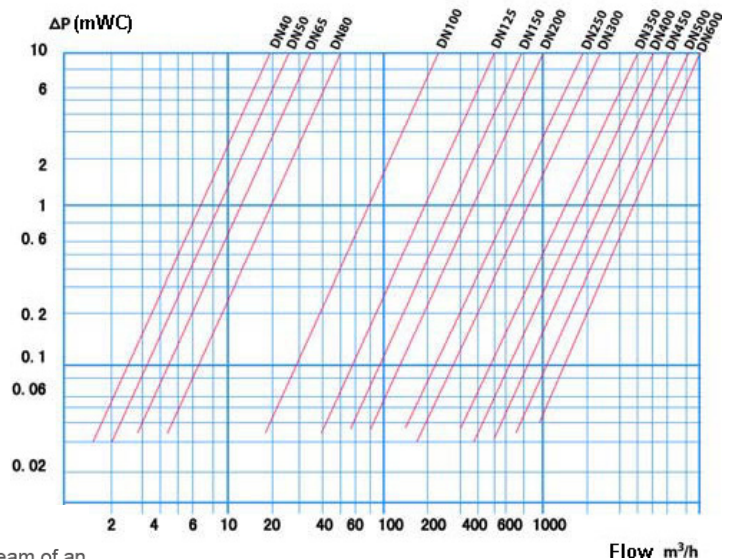
WORKING CONDITIONS

Maximum working pressure : 16 bar
Maximum working temperature : -10°C / +170°C



⚠ During the mounting it is recommended to maintain a distance of 3 to 5 times the minimal diameter upstream and downstream of an elbow or appliance. This makes it possible to stay out of areas of turbulence likely to increase the risk of wear.
At the discharge of a pump it is advisable to carry out the assembly in accordance with the **FD CEN/TR 13932** standards

Head loss chart



Tecofi France

83 rue Marcel Mérieux - 69960 Corbas
Tél. +33 (0)4 72 79 05 79 - Fax. +33 (0)4 78 90 19 19
E-mail : sales@tecofi.fr - www.tecofi.fr

