

DOUBLE EXCENTRIC BUTTERFLY VALVE TYPE TECWAT

TECHNICAL PASSPORT

**PN25 FLANGED DOUBLE EXCENTRIC
BUTTERFLY VALVE WITH GEAR BOX**

VP 4251-08

APPLICATION

Tecwat type butterfly valves are intended to be used for ON/OFF operations in fluid transfer circuits.

Area of use: water networks, production plants, pumping stations, fire circuits on industrial site, etc.



Fluids: water, drinking water.

GENERAL CHARACTERISTICS

TECWAT model: long pattern.

-Design according to NF EN 595.

Range: from DN100 to DN1600.

-Bi-directional sealing with a preferred mounting direction indicated by the arrow on the body.

-Pinned stem/disc connection.

-Double eccentric butterfly valve prevents wear due to the stainless steel seat attached to the body.

-Seal on disc retained by a stainless steel retaining ring.

-Optimized maneuvering torque.

-Low pressure drop.

-Operating by IP65 gear box.



ACS

STANDARDS

Design	Complies with standard EN 593
Face to face	Face to face according to standard NF EN 5752 série 14.
Connection	ISO PN25 flange mounting according to standard EN1092-2.
Tests	Hydraulic tests carried out according to the standard EN12266-1: -Body : 37.5 bar -Seat : 27.5 bar

PRODUCT APPROVALS



Certificat WRAS n° 1607394

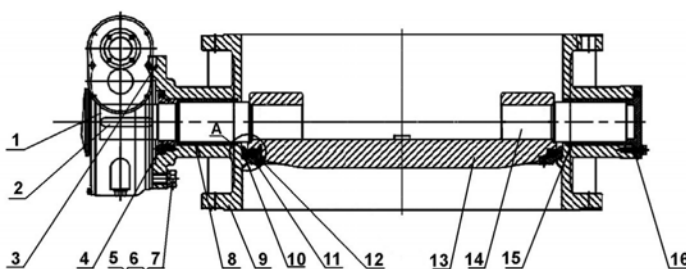
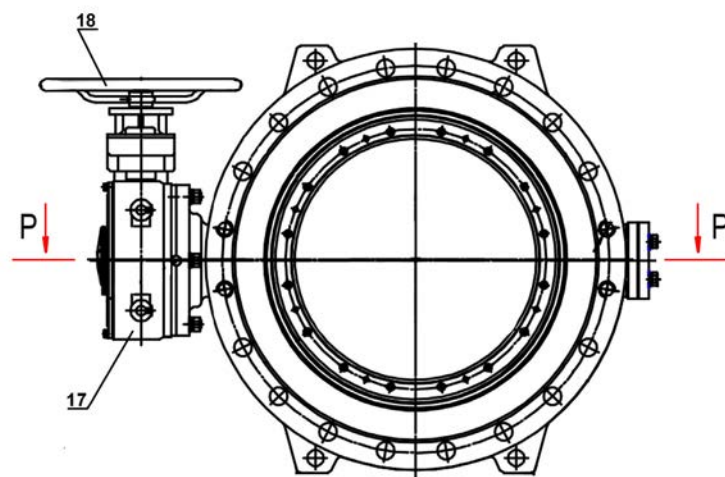


Attestation of health conformity n° 19 ACC LY 582

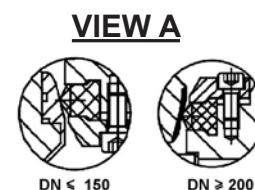


DOUBLE EXCENTRIC BUTTERFLY VALVE TYPE TECWAT

CONSTRUCTION



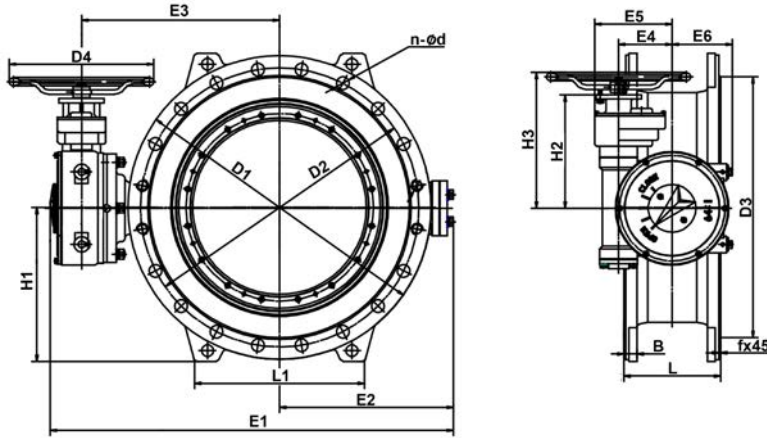
SECTION P-P



Rep.	Désignation	Matière	Equivalences		
			DIN	ASTM	BS
1	Upper shaft	Stainless steel X20Cr13	1.4021	AISI 420	420 S 37
2	Key	Stainless steel X20Cr13	1.4021	AISI 420	420 S 37
3	Locking pin	Stainless steel X20Cr13	1.4021	AISI 420	420 S 37
4	Packing gland	Ductile iron			
5	Screw	Stainless steel A2-70			
6	Gasket	Stainless steel A2			
7	Flexible gasket	Stainless steel 3 Cr13			
8	Shaft bush	Al-bronze			
9	Body	Fonte ductile EN-GJS-500-7	GGG 50	A536 70-50-05	1563 EN-JS1050
10	Sealing surface	Stainless steel 304			
11	Retainer	Stainless steel 304			
12	Sealing gasket	EPDM			
13	Disc	Fonte ductile EN-GJS-500-7	GGG 50	A536 70-50-05	1563 EN-JS1050
14	Lower shaft	Stainless steel X20Cr13	1.4021	AISI 420	420 S 37
15	O-ring	EPDM			
16	Cover	Ductile iron			
17	Gear box				
18	Handwheel	Cast iron	GG 25	35B	HT250

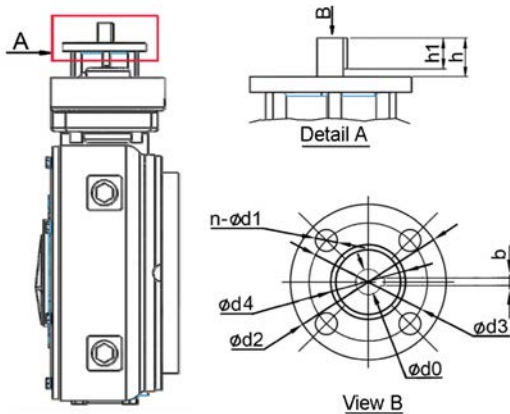
DOUBLE EXCENTRIC BUTTERFLY VALVE TYPE TECWAT

DIMENSIONS



DN		ØD1	ØD2	ØD3	B	f	L	n-ød	H1	H2	H3	E1	E2	E3	E4	E5	E6	L1	D4	ISO 5210	Weight (kg)
mm	inch																				
100	4"	235	190	156	19	3	190	8-Ø23	127.5	115	155	399	142	209	43.2	73.2	64	160	180	F10	36
150	6"	300	250	211	20	3	210	8-Ø28	165	137	187	508	188	264	64	128	86	150	240	F10	53
200	8"	360	310	274	22	3	230	12-Ø28	190	178	233	586	221	300	93.4	135	115	220	320	F10	79
250	10"	425	370	330	25	3	250	12-Ø31	220	178	233	656	254	337	93.4	135	115	260	320	F10	110
300	12"	485	430	389	28	4	270	12-Ø31	250	192	283	757	298	377	120	169	138	300	240	F10	180
350	14"	555	490	448	30	4	290	16-Ø34	285	317	378	830	318	430	120	186	138	320	400	F10	198
400	16"	620	550	503	32	4	310	16-Ø37	315	315	376	945	370	486	148	214	166	350	400	F10	330
450	18"	670	600	548	34.5	4	330	20-Ø37	340	315	376	991	406	496	148	214	166	370	400	F10	398
500	20"	730	660	609	37	4	350	20-Ø37	370	346	407	1112	453	554	185	265	196	410	400	F10	538
600	24"	845	770	720	42	5	390	20-Ø41	427.5	346	407	1235	495	631	185	265	196	470	400	F10	687
700	28"	960	875	820	46.5	5	430	24-Ø44	485	390	451	1439	601	715	230	333	232	530	400	F10	1075
800	32"	1085	990	928	51	5	470	24-Ø50	547.5	390	451	1588	668	797	230	333	232	600	400	F10	1325
900	36"	1185	1090	1028	55.5	5	510	28-Ø50	597.5	451	512	1669	695	849	230	368	232	655	400	F10	1995
1000	40"	1320	1210	1140	60	5	550	24-Ø57/4-M52	665	507	568	1994	844	988	315	453	327	730	400	F10	2450
1200	48"	1530	1420	1350	69	5	630	32-Ø57	770	599	660	2398	1008	1179	412	613	408	840	400	F10	3822
1400	56"	1755	1640	1560	74	5	710	36-Ø62	882.5	599	660	2667	1150	1306	412	613	408	970	400	F10	5250
1600	64"	1975	1860	1780	81	5	790	36-Ø62/4-M56	992.5	777	838	2942	1250	1449	495	725	485	1080	400	F10	7925

TOP FLANGE ISO 5210 DIMENSIONS



DN		ISO 5210								Nb of turn	Torque * (Nm)
mm	inch	ISO Plate	Ød0	n-ød1	Ød2	Ød3	Ød4	h	bxh1		
100	4"	F10	20	4-Ø10	125	102	70	28	6X20	10	14
150	6"	F10	20	4-Ø10	125	102	70	28	6X20	10	28
200	8"	F10	20	4-Ø10	125	102	70	28	6X20	12	48
250	10"	F10	20	4-Ø10	125	102	70	28	6X20	12	80
300	12"	F10	20	4-Ø10	125	102	70	30	6X20	20	72
350	14"	F10	20	4-Ø10	125	102	70	30	6X25	80	29
400	16"	F10	20	4-Ø10	125	102	70	30	6X25	64	51
450	18"	F10	20	4-Ø10	125	102	70	30	6X25	64	67
500	20"	F10	20	4-Ø10	125	102	70	30	6X25	96	60
600	24"	F10	20	4-Ø10	125	102	70	30	6X25	96	87
700	28"	F10	20	4-Ø10	125	102	70	30	6X25	198,9	67
800	32"	F10	20	4-Ø10	125	102	70	30	6X25	198,9	93
900	36"	F10	20	4-Ø10	125	102	70	30	6X25	382,2	60
1000	40"	F10	20	4-Ø10	125	102	70	30	6X25	421,4	79
1200	48"	F10	20	4-Ø10	125	102	70	30	6X25	641,25	65
1400	56"	F10	20	4-Ø10	125	102	70	30	6X25	641,25	116
1600	60"	F10	20	4-Ø10	125	102	70	30	6X25	559	193

* Values without safety coefficient

Tecofi France

83 rue Marcel Mérieux - 69960 Corbas

Tél. +33 (0)4 72 79 05 79 - Fax. +33 (0)4 78 90 19 19

E-mail : sales@tecofi.fr - www.tecofi.fr

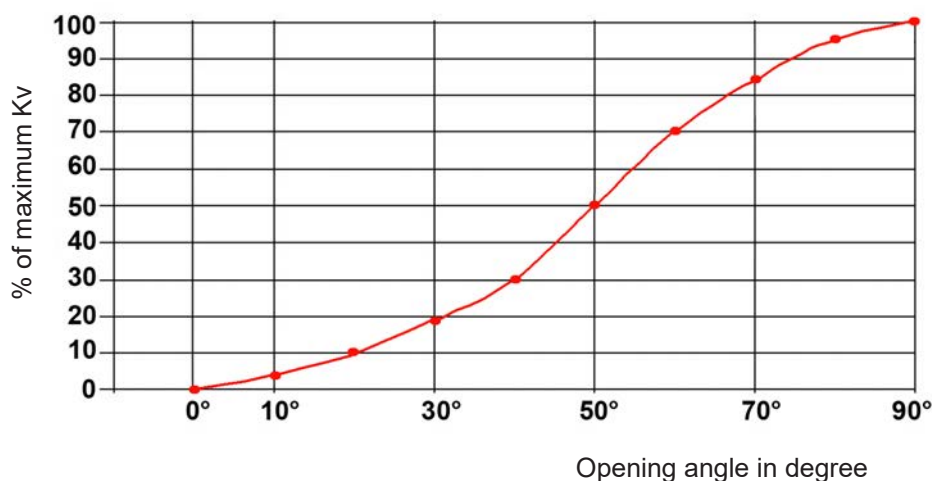


DOUBLE EXCENTRIC BUTERFLY VALVE TYPE TECWAT

WORKING CONDITIONS

Maximum working pressure : 25 bar.
Maximum working temperature : + 80 °C.

FLOW FACTOR - Kv



DN	mm	200	250	300	350	400	450	500	600	700	800	900	1000	1100	1200	1400	1600
	inch	8"	10"	12"	14"	16"	18"	20"	24"	28"	32"	36"	40"	44"	48"	56"	64"
Kvs		1880	3800	4950	8000	10900	14200	18250	28000	40500	55100	74000	93338	116213	142516	167310	264433

Values given for information

Tecofi France

83 rue Marcel Mérieux - 69960 Corbas
Tél. +33 (0)4 72 79 05 79 - Fax. +33 (0)4 78 90 19 19
E-mail : sales@tecofi.fr - www.tecofi.fr

