

Ref. : VPI 4642-02 pas
 Rev. : Initial
 Date : 29/04/2017
 Page : 1/1

BUTTERFLY VALVE WITH HANDLE

VPI 4642-02



APPLICATION

General use: water, sea water.
 "Non suitable for steam application"

GENERAL CHARACTERISTICS

Design according with BS EN 593.
 Tightness in both ways. Lug type with threaded ears.
 Flexible sleeve adapted to the shape of the body assures low operating torque. High and low semi stem giving a high flow coefficient, machined disc on periphery giving a low and regular torque. Unejectable stem, mounting flange according to ISO 5211.

CONSTRUCTION

14	1	Handle	
13	1	Rivet	Aluminium
12	1	Nameplate	Stainless steel 304
11	2	Circlips	65Mn
10	1	Bottom cover	Plastic
9	1	Bushing	Stainless steel 201 + F4
8	2	O ring	NBR
7	1	Antidust ring	NBR
6	1	Anti blowout ring	Stainless steel 201
5	1	Lower stem	Stainless steel 420
4	1	Upper stem	Stainless steel 420
3	1	Sleeve	Heat EPDM
2	1	Disc	Cu Al10 Ni5 Fe4
1	1	Body	Ductile iron EN-GJS-500-7
Pos.	Qty	Description	Material

DIMENSIONS

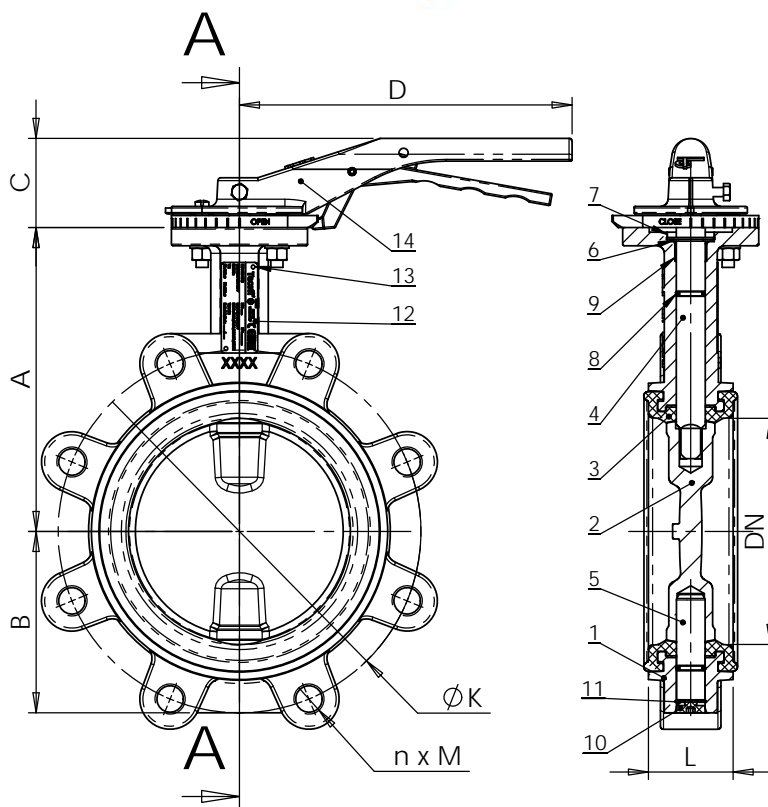
DN		A	B	C	D	ØK	nxM	L	Weight (kg)
mm	inch								
40	1 1/2	135	52	52,5	180	110	4-M16	32,5	2,5
50	2"	140	60	52,5	180	125	4-M16	42,5	3,1
65	2 1/2	150	70	52,5	180	145,0	4-M16	45,5	3,7
80	3"	156	91,6	52,5	180	160,0	8-M16	45,5	4,9
100	4"	169	90	52,5	180	180,0	8-M16	51,5	6,0
125	5"	190	105	50	220	210,0	8-M16	55,5	9,4
150	6"	200	120	50	220	240	8-M20	55,5	10,5
200	8"	224	158	57	450	295	8-M20	59,5	20,7
250	10"	265	197	57	450	350	12-M20	67,5	27,8
300	12"	303	230	57	450	400	12-M20	77,5	35,6

WORKING CONDITIONS

Maximum working pressure : 16 bar.

Maximum working temperature : -15°C / +130°C.
 Peak temperature: -30°C / +150°C

Sleeve types in option	Maximum temperature	Peak temperature
EPDM	+ 4°C / + 110°C	- 20°C / +130°C
White EPDM	+ 4°C / + 110°C	- 20°C / +130°C
CSM (Type Hypalon®)	+ 4°C / +80°C	- 20°C / +110°C
FPM (Type Viton®)	- 10°C / +170°C	- 20°C / +200°C
Silicone	- 20°C / +170°C	- 40°C / +200°C
Nitrile (NBR)	- 10°C / +80°C	- 20°C / +90°C



STANDARDS

Manufacture according to the requirements of the European directive 2014/68/EU «Equipment under pressure»: modulate H. Face to face according to standards NF EN 558 serie 20, ISO 5752 série 20, DIN 3202.

Mounting with flanges PN10/PN16 from DN40 to DN150 and PN10 from DN200 to DN300 according to EN 1092-2, BS 450, ANSI B16.1-5. Pressure test according to standards EN 12266-1, DIN 3230, BS 6755 and ISO 5208 :

Body : WP x 1.5 bar
 Seat : WP x 1.1 bar

TECOFI France - 83, Rue Marcel Mérieux 69960 Corbas - France
 Tél. +33 (0)4 72 79 05 79 - Fax +33 (0)4 78 90 19 19 / +33 (0)4 72 79 05 79
 Adresses e-mail: sales@tecofi.fr; tecofi@tecofi.fr / site web: www.tecofi.fr